



US00D711644S

(12) **United States Design Patent**
Leach

(10) **Patent No.:** **US D711,644 S**

(45) **Date of Patent:** **** Aug. 26, 2014**

(54) **SPORTS BALL HOLDER**

(71) Applicant: **Thomas Leach**, Millersburg, MI (US)

(72) Inventor: **Thomas Leach**, Millersburg, MI (US)

(**) Term: **14 Years**

(21) Appl. No.: **29/475,802**

(22) Filed: **Dec. 6, 2013**

(51) **LOC (10) Cl.** **03-01**

(52) **U.S. Cl.**
USPC **D3/257**

(58) **Field of Classification Search**
USPC D3/215, 254, 257; 206/315.9; 211/14,
211/85.7; D6/552

See application file for complete search history.

(56) **References Cited**

U.S. PATENT DOCUMENTS

D238,628	S	*	2/1976	Davis	D3/221
D240,059	S	*	5/1976	Lewis	D3/221
4,294,386	A	*	10/1981	Ingram	224/667
D363,520	S	*	10/1995	Melillo	D3/224
6,193,120	B1	*	2/2001	Chang	224/245

D450,923	S	*	11/2001	Helmreich	D3/221
6,454,105	B1	*	9/2002	Medina	211/14
D532,197	S	*	11/2006	Niksich	D3/221
7,500,570	B2	*	3/2009	Kurcheski	211/14
D696,872	S	*	1/2014	Tran	D6/552

* cited by examiner

Primary Examiner — Deanna L Pratt

Assistant Examiner — Lilyana Bekic

(74) *Attorney, Agent, or Firm* — Gulf Coast Intellectual Property Group

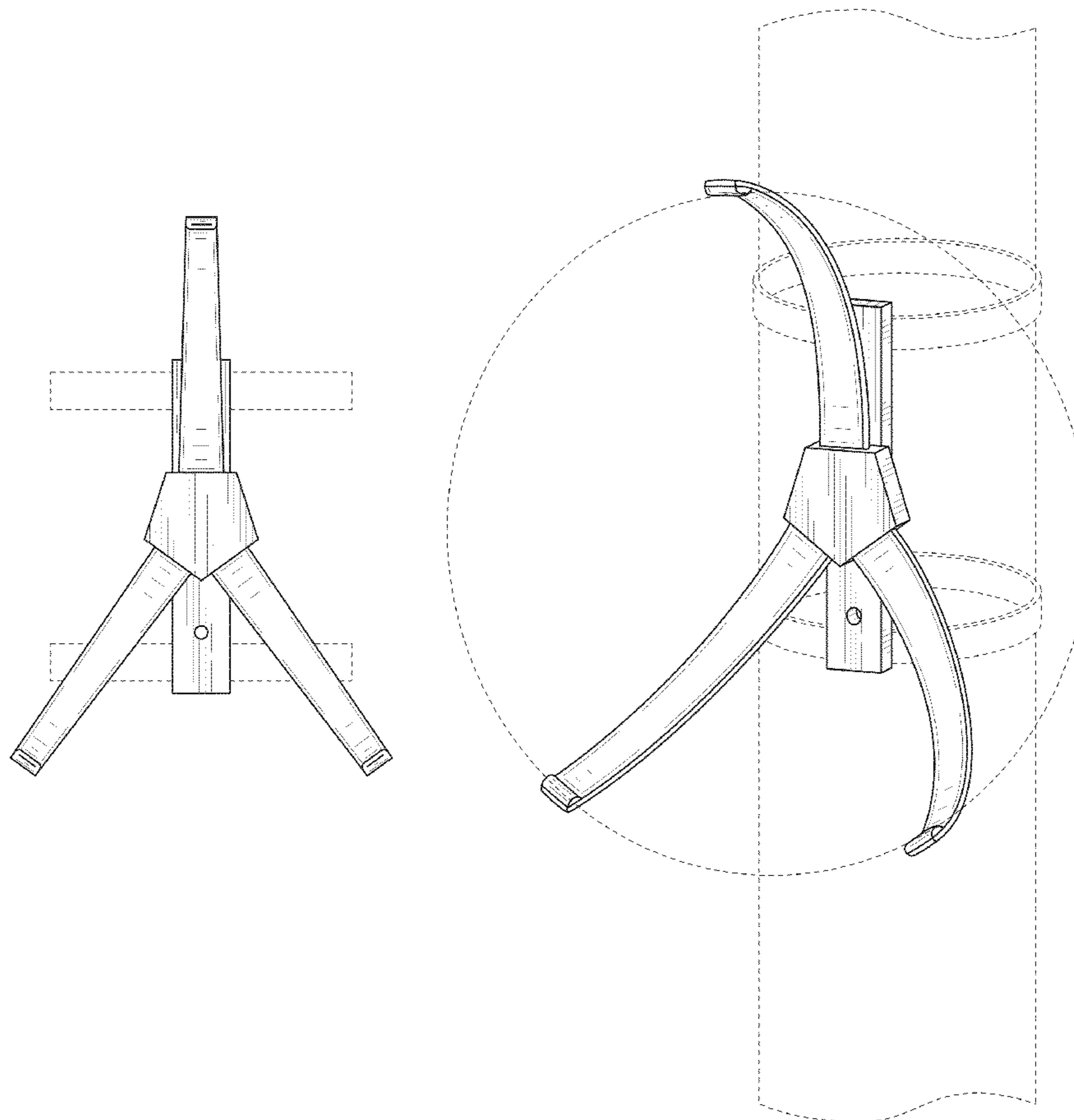
(57) **CLAIM**

The ornamental design for the sports ball holder, as shown and described.

DESCRIPTION

FIG. 1 is a front view of the present invention; and FIG. 2 is a rear view of the present invention; and FIG. 3 is a left side view of the present invention; and FIG. 4 is a right side view of the present invention; and, FIG. 5 is a perspective view of the present invention. Wherein the broken lines herein illustrate the environment of the claimed design and form no part of thereof.

1 Claim, 3 Drawing Sheets



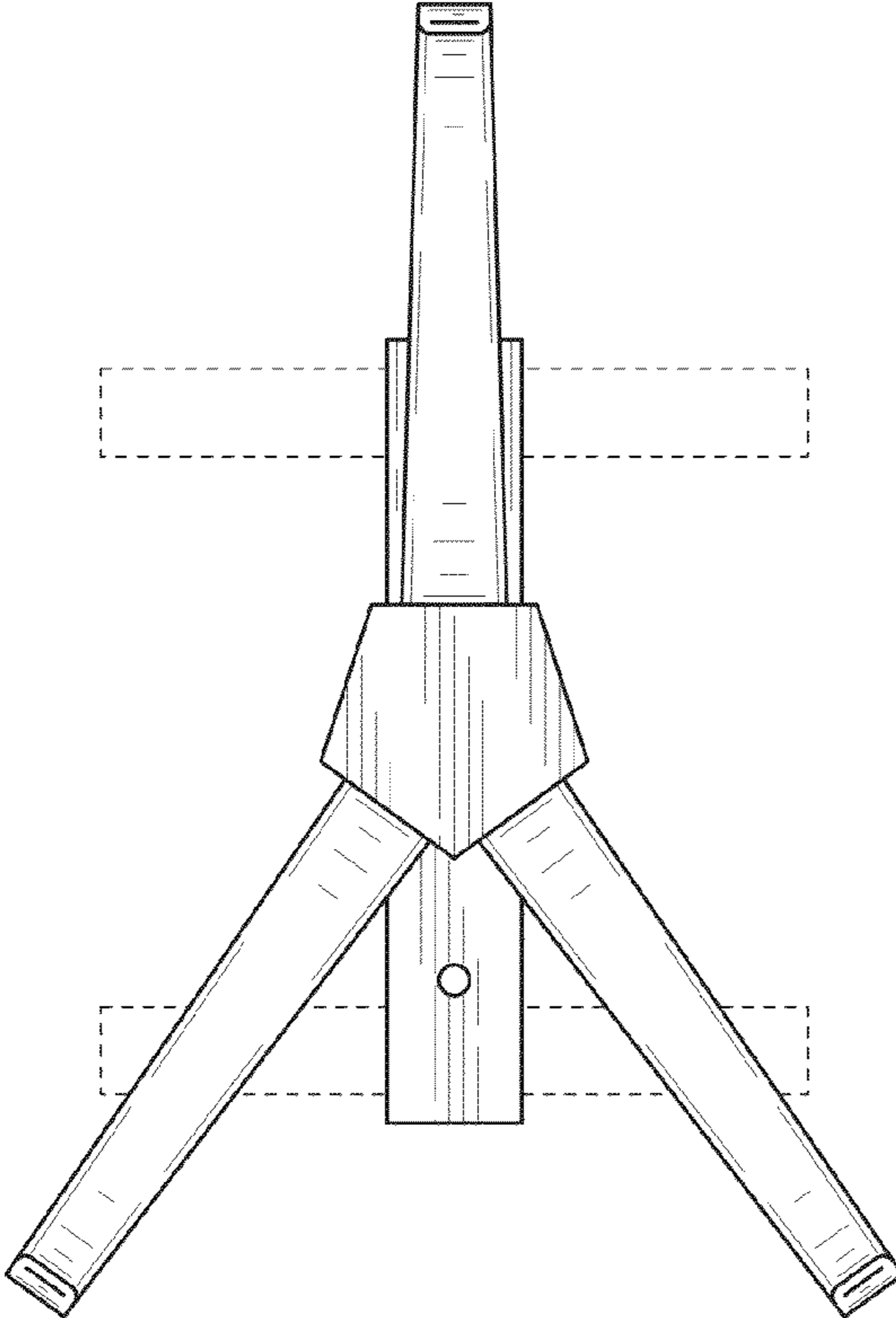


FIG. 1

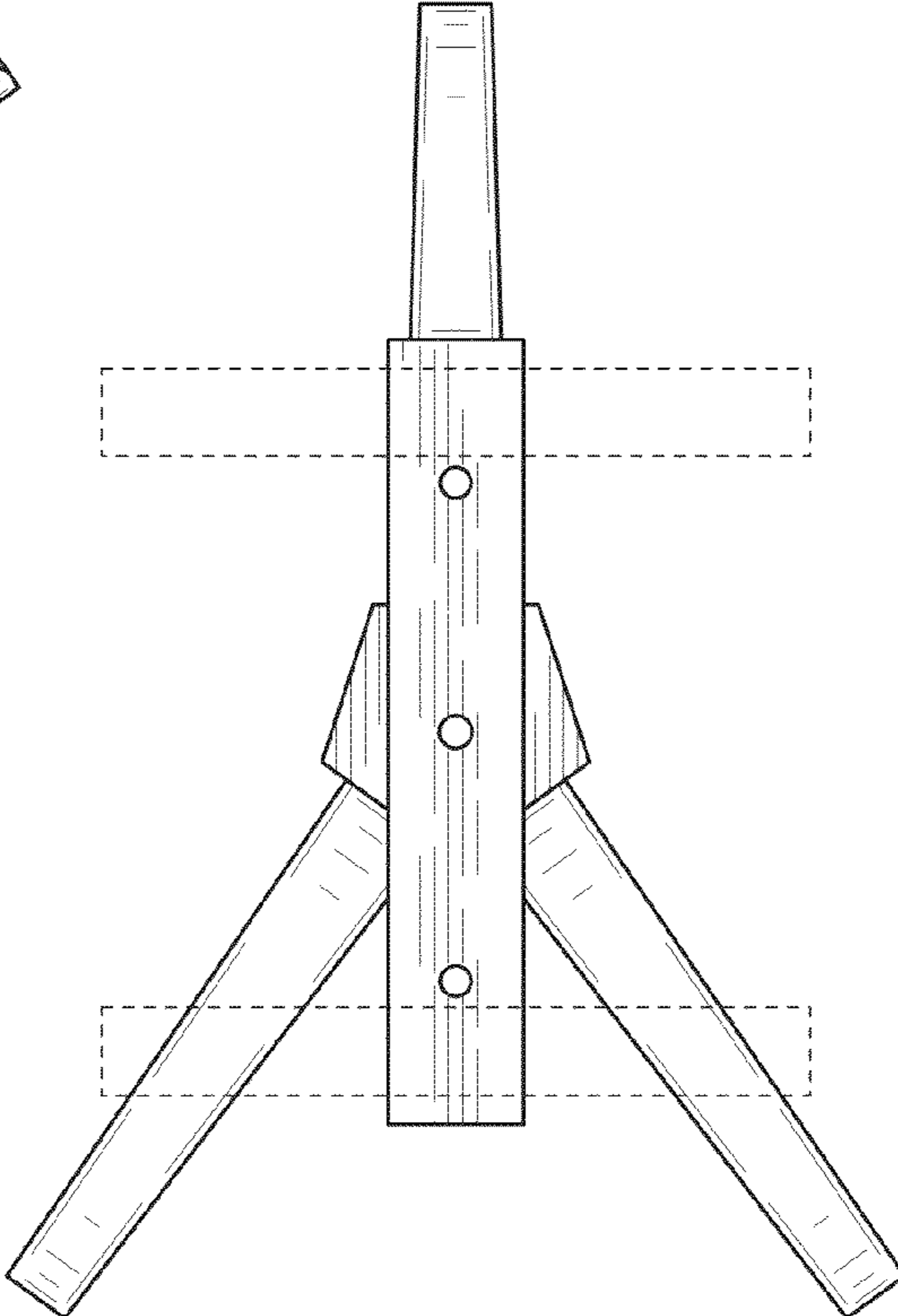


FIG. 2

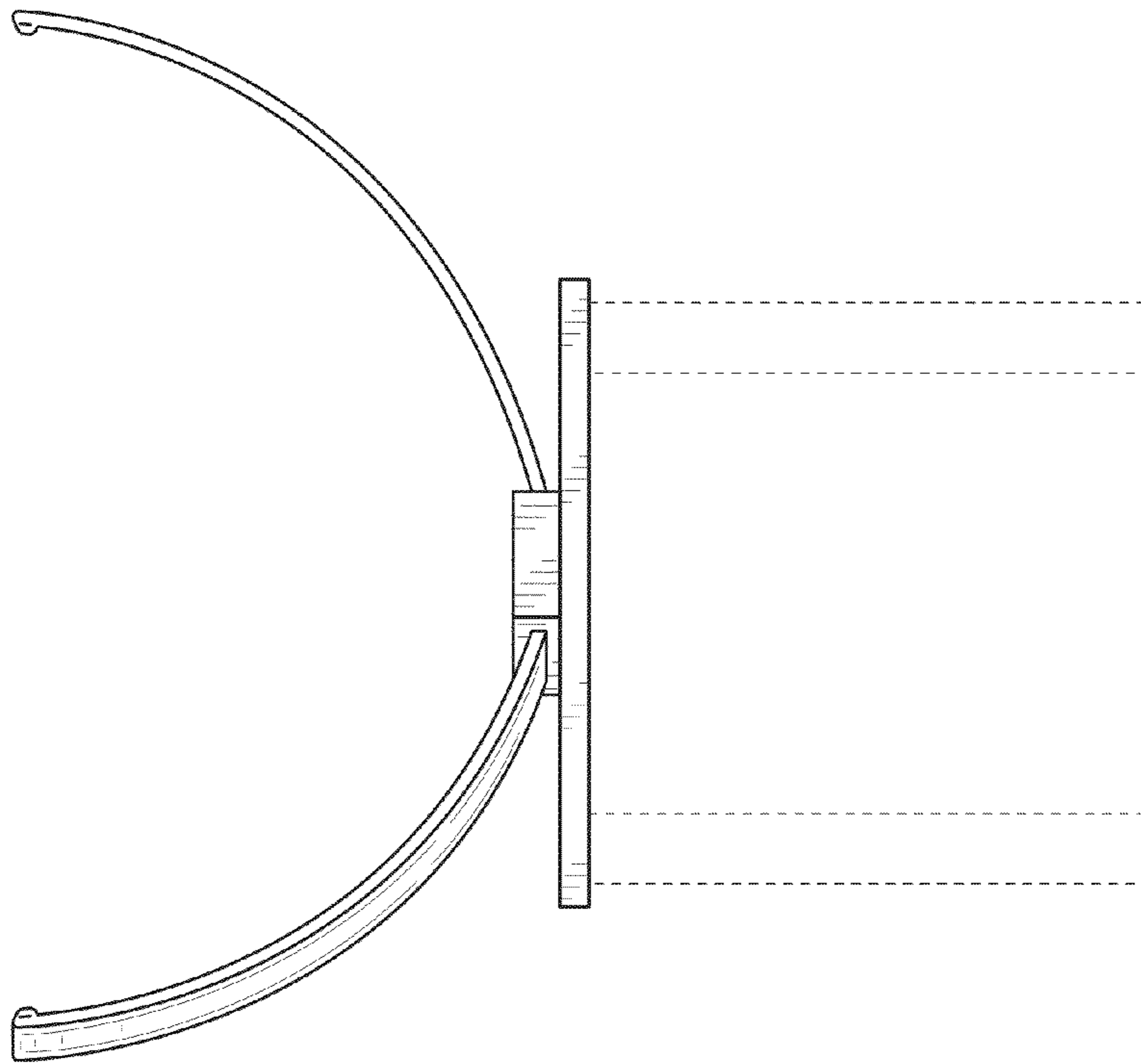


FIG. 3

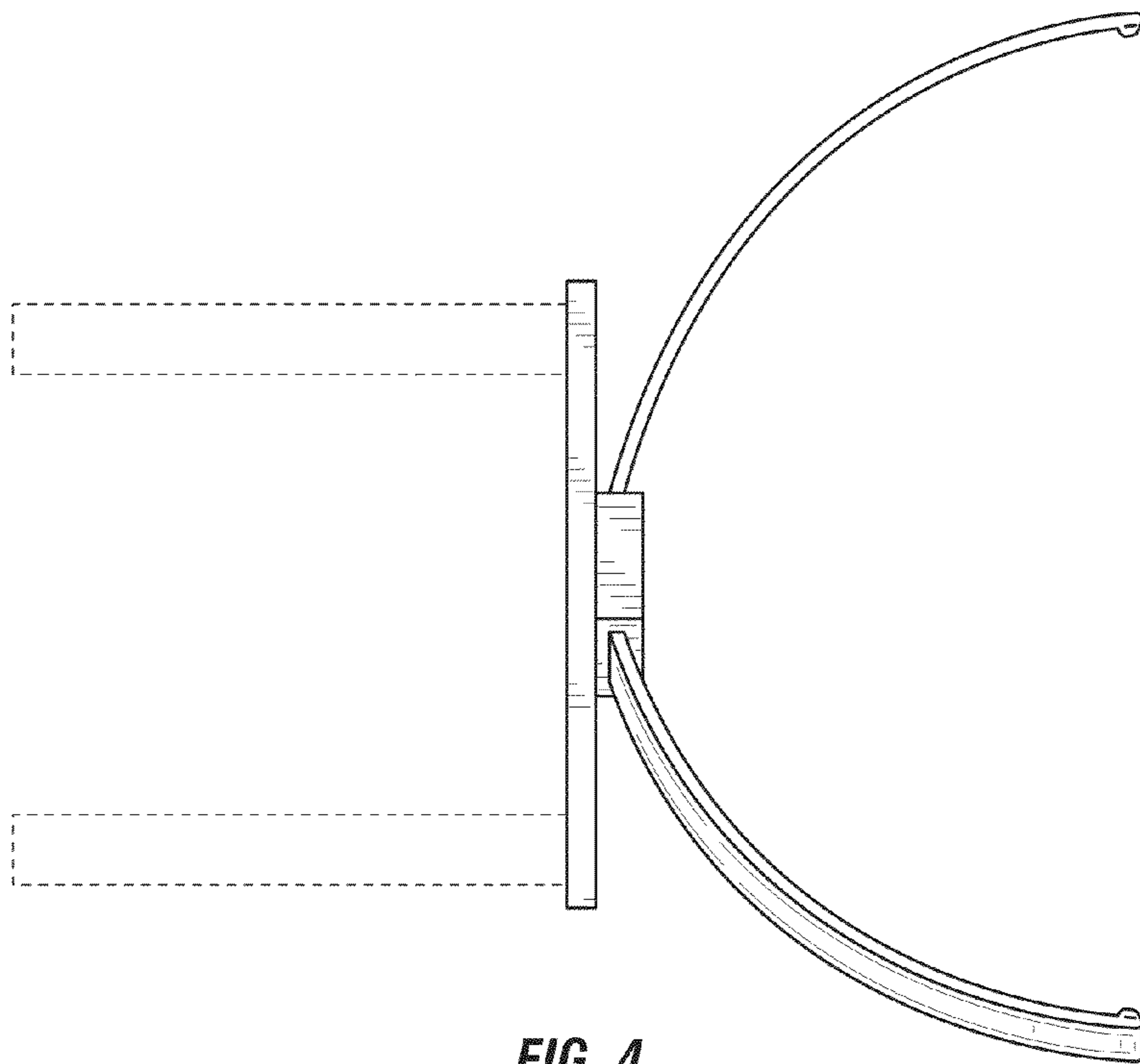


FIG. 4

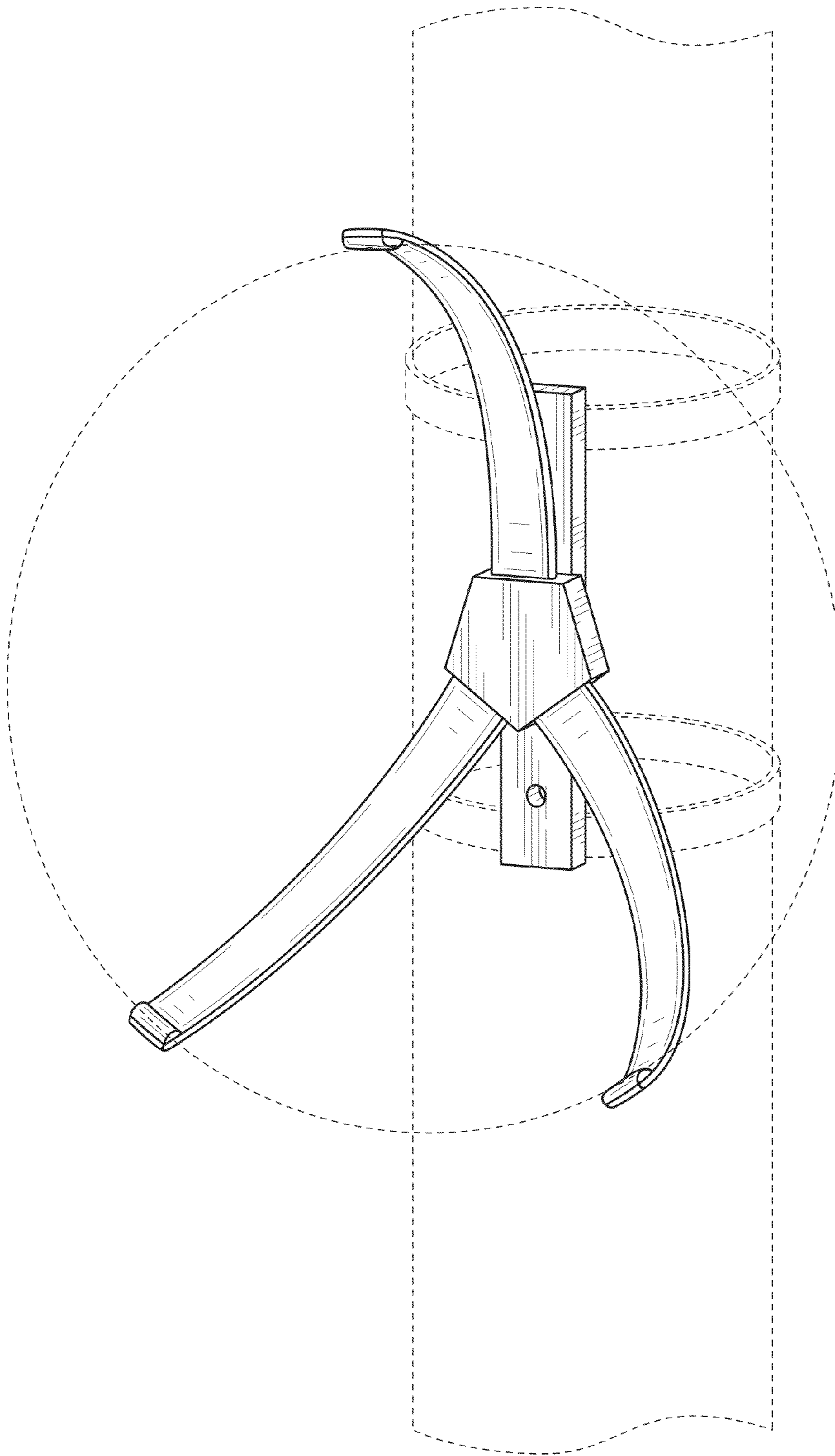


FIG. 5