



US00D711638S

(12) **United States Design Patent**
Wu et al.

(10) **Patent No.:** **US D711,638 S**

(45) **Date of Patent:** **** Aug. 26, 2014**

(54) **HEEL GRIP FOR A BICYCLE RIDER**

(76) Inventors: **Yu-Te Wu**, Taichung (TW); **Hung-Yung Wu**, Taichung (TW)

(**) Term: **14 Years**

(21) Appl. No.: **29/420,066**

(22) Filed: **May 4, 2012**

(51) **LOC (10) Cl.** **02-04**

(52) **U.S. Cl.**
USPC **D2/968**

(58) **Field of Classification Search**

USPC D2/602, 627, 896–900, 902, 906,
D2/908–910, 914, 915, 918, 922, 923, 925,
D2/929, 930, 939, 943, 946, 950, 951, 958,
D2/961, 964–966, 968, 971–973, 976;
D11/4, 26, 231; 36/3 A, 4, 7.1 R, 10,
36/25 R, 34 R, 45, 50.1, 58.6, 71.5, 72 B,
36/72 R, 73, 83, 84, 113, 114, 127, 134,
36/136

See application file for complete search history.

(56) **References Cited**

U.S. PATENT DOCUMENTS

2,523,221 A * 9/1950 Maloy 36/1
3,095,659 A * 7/1963 McClellan 36/72 B
4,625,435 A * 12/1986 Ueda 36/68

D355,527 S * 2/1995 Yoshikawa et al. D2/977
D636,569 S * 4/2011 McMillan D2/946
D695,508 S * 12/2013 Earle D2/970
2005/0138846 A1 * 6/2005 O'Connor 36/72 B

* cited by examiner

Primary Examiner — Stella Reid

Assistant Examiner — Janice Lim

(74) *Attorney, Agent, or Firm* — The Weintraub Group,
P.L.C.

(57) **CLAIM**

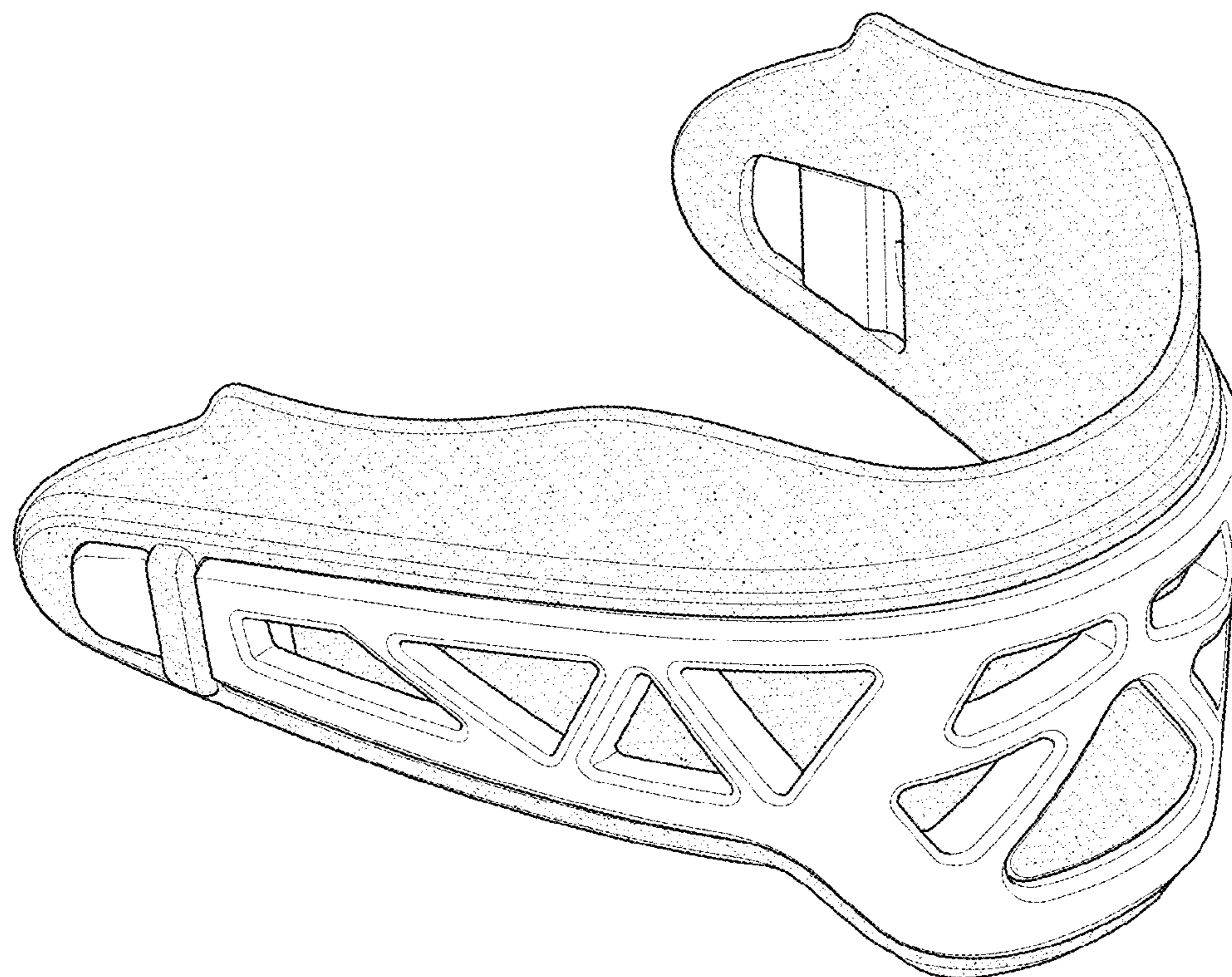
The ornamental design for a heel grip for a bicycle rider, as shown and described.

DESCRIPTION

FIG. 1 is a perspective view of a heel grip for a bicycle rider, showing our new design;
FIG. 2 is a front view thereof;
FIG. 3 is a left side view thereof;
FIG. 4 is a right side view thereof;
FIG. 5 is a bottom view thereof;
FIG. 6 is another perspective view thereof; and,
FIG. 7 is a perspective view thereof, shown in the environmental use.

The broken lines in FIG. 7 show unclaimed subject matter only and form no part of the claimed design.

1 Claim, 6 Drawing Sheets



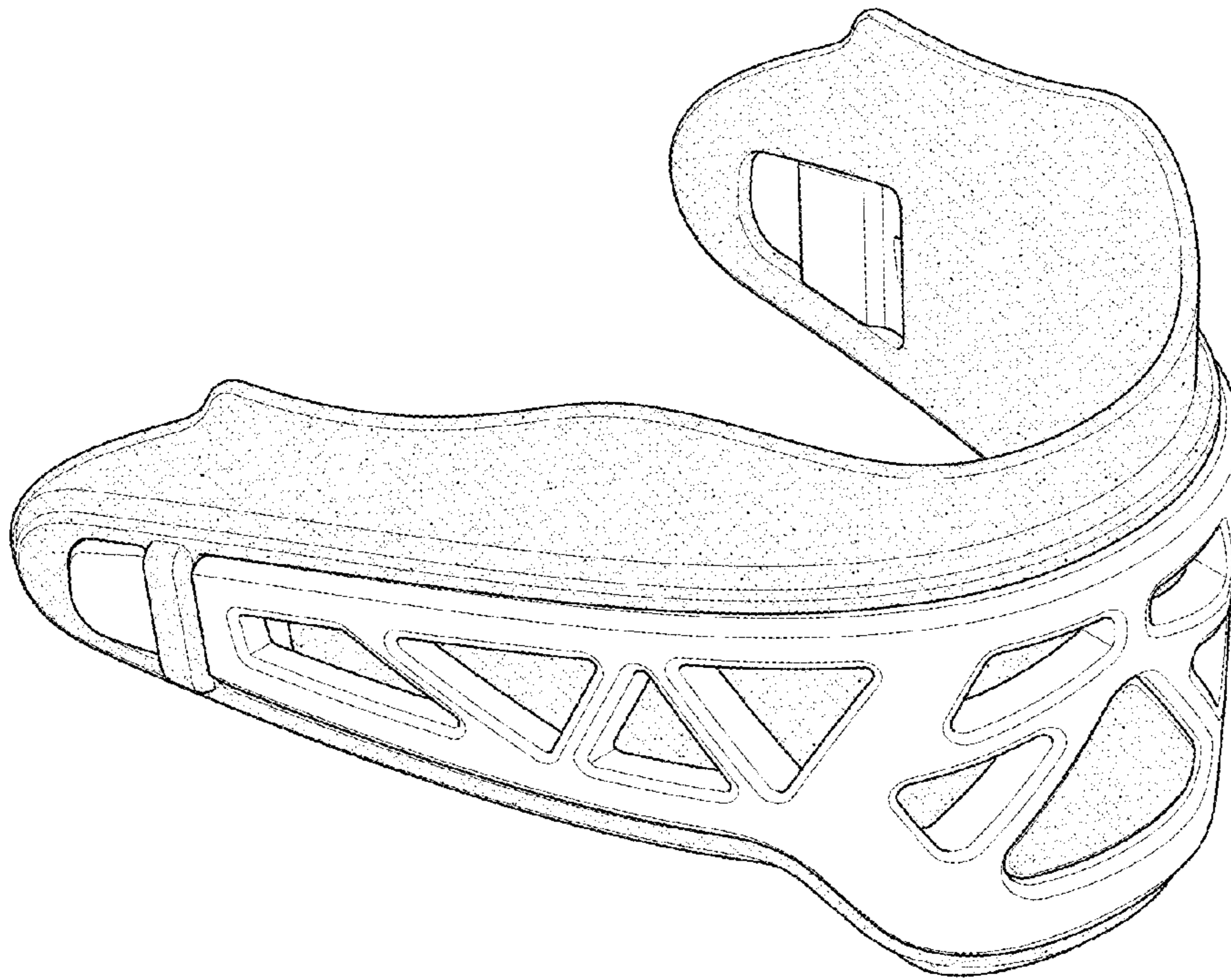


FIG.1

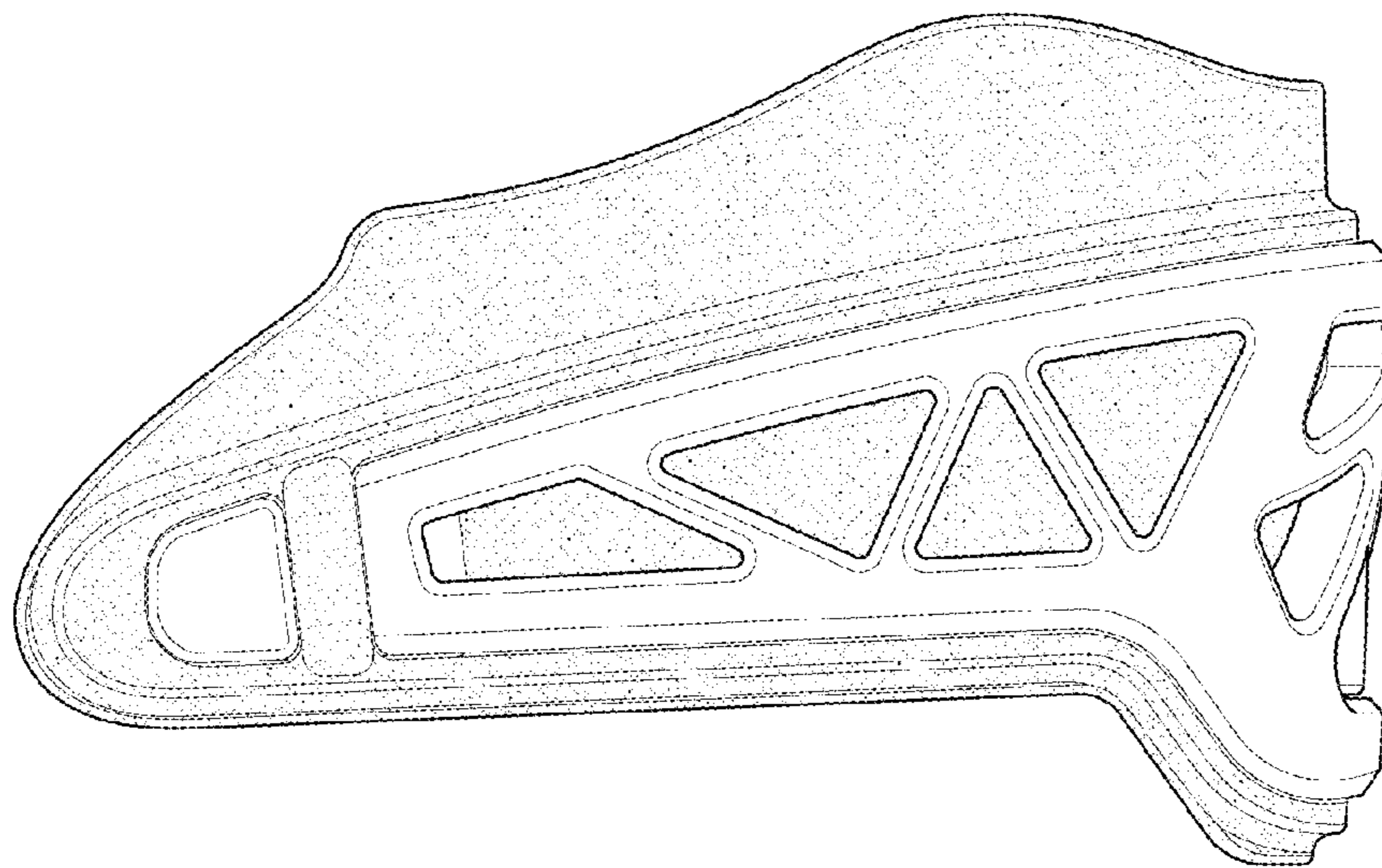


FIG.2

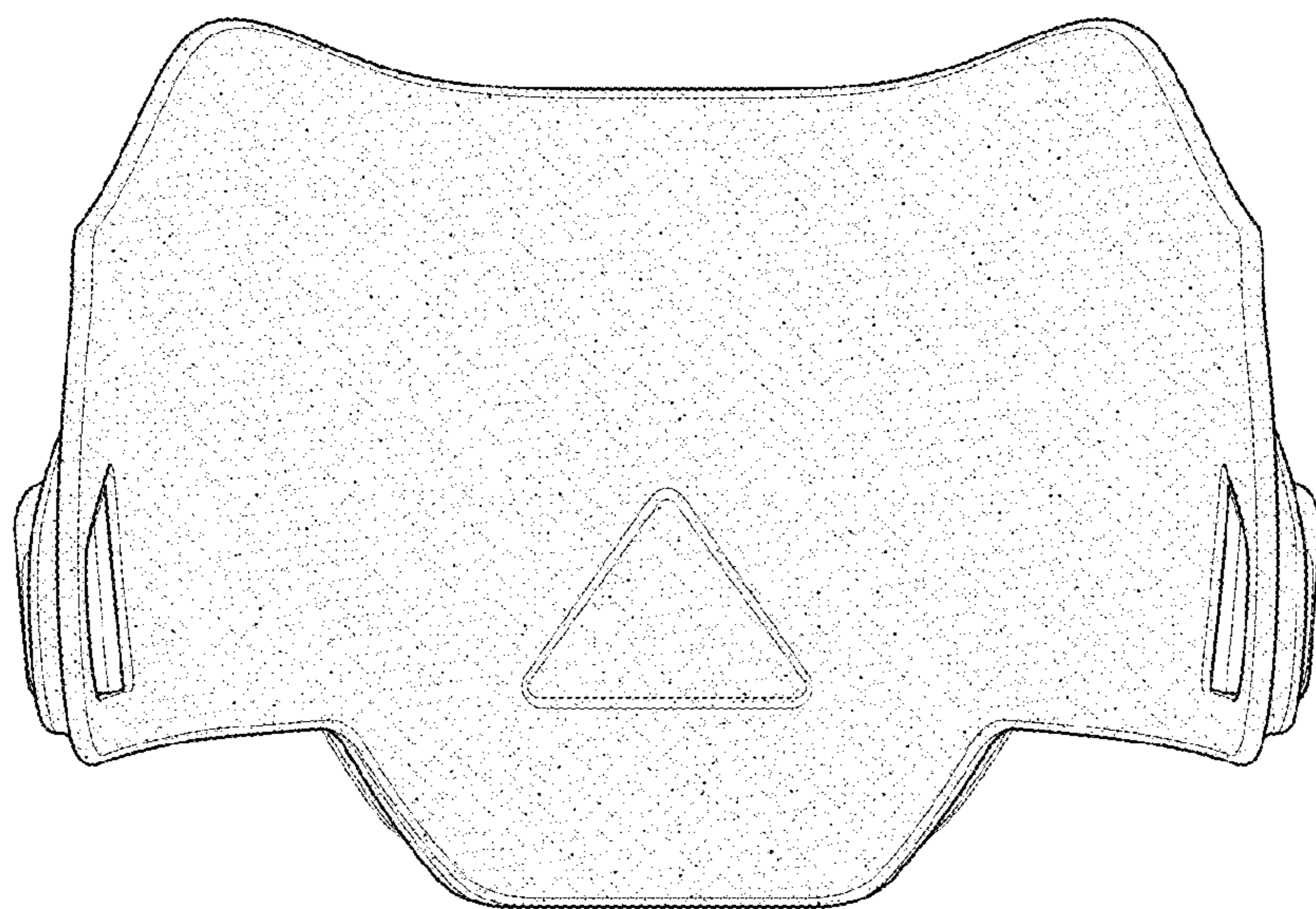


FIG.3

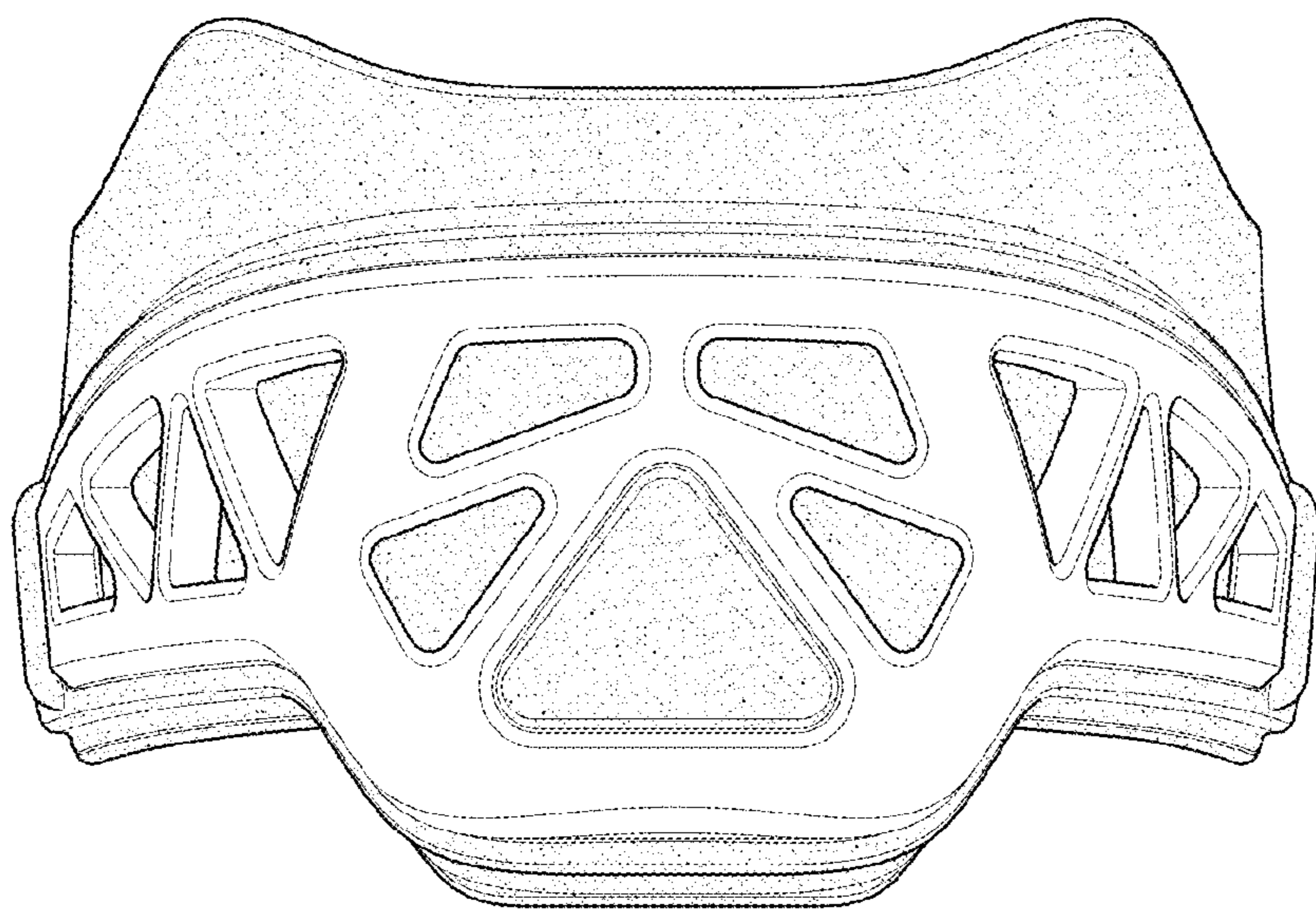


FIG.4

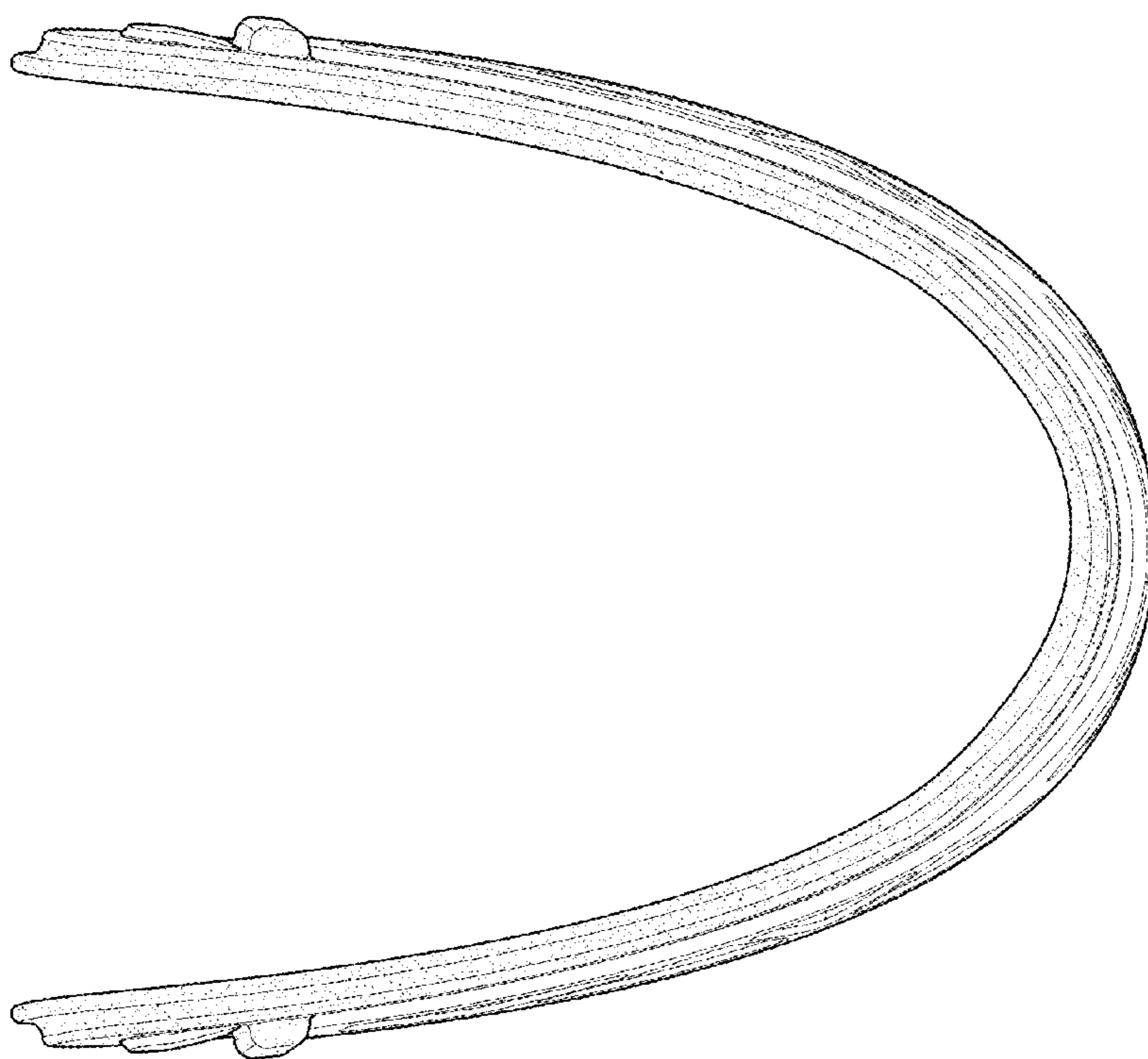


FIG.5

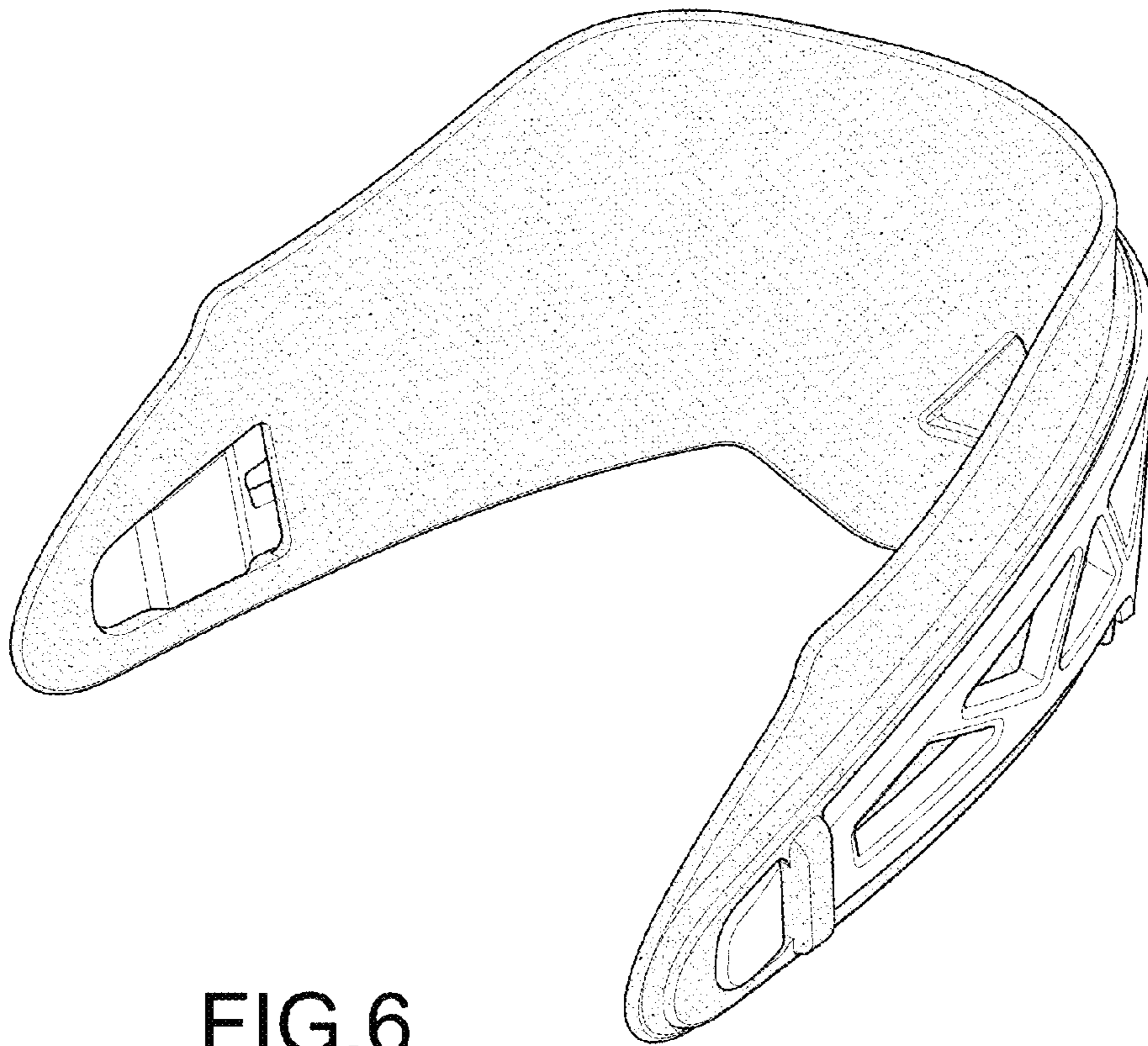


FIG. 6

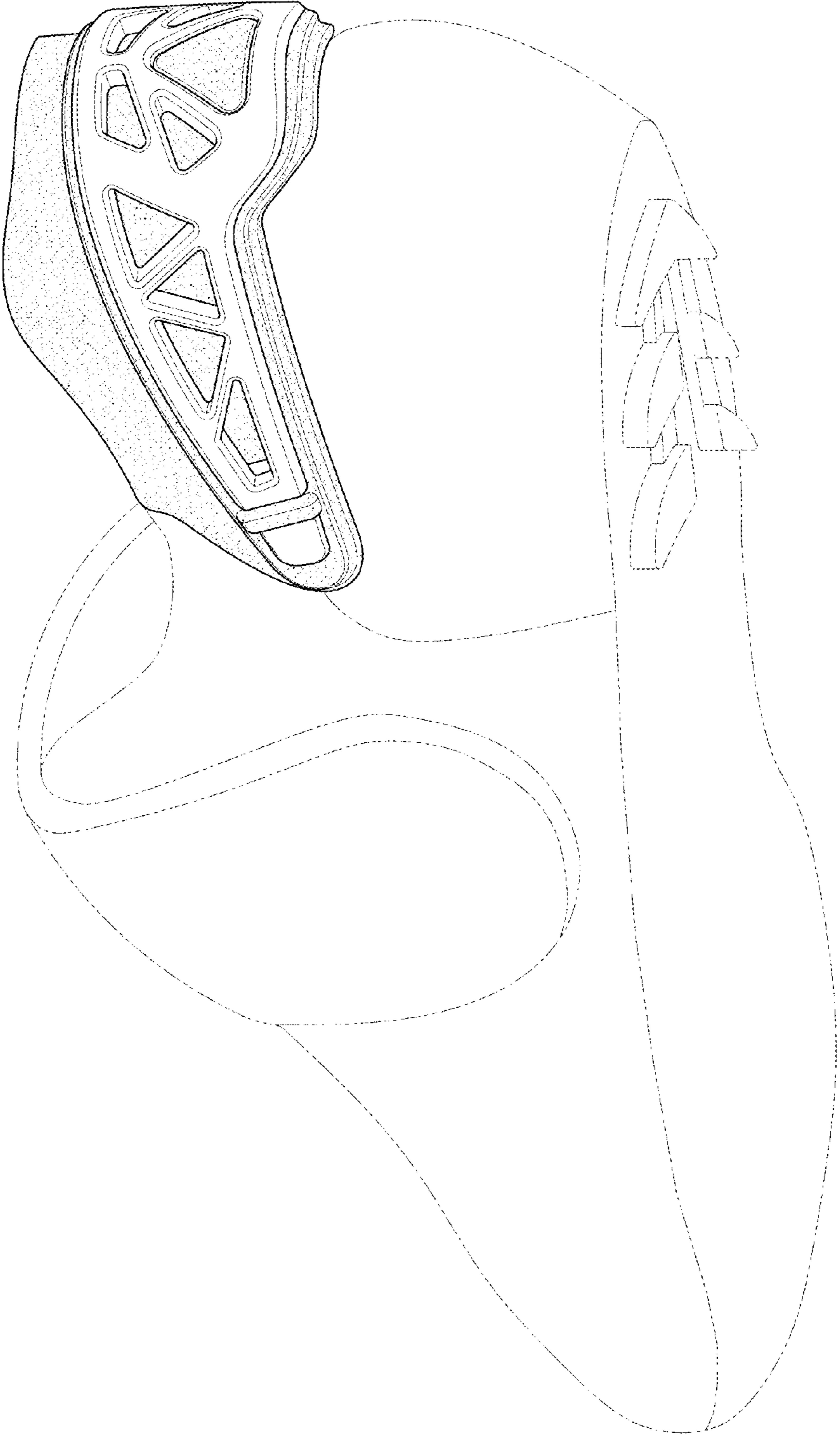


FIG. 7