



US00D711630S

(12) **United States Design Patent**  
**Wilson**

(10) **Patent No.:** **US D711,630 S**

(45) **Date of Patent:** **\*\* Aug. 26, 2014**

(54) **VERTICALLY-STRIPED NOVELTY HEADWEAR**

D29/104, 105, 106, 107, 108, 109, 110;  
2/68, 171, 410, 411, 425

See application file for complete search history.

(71) Applicant: **Gregg Wilson**, Dallas, TX (US)

(56) **References Cited**

(72) Inventor: **Gregg Wilson**, Dallas, TX (US)

U.S. PATENT DOCUMENTS

(73) Assignee: **Wreckin' Ball Helmets, LLC**, Dallas, TX (US)

D52,681 S \* 11/1918 Shainmark et al. .... D11/166  
D53,293 S \* 5/1919 Creange ..... D11/167

(\*\*) Term: **14 Years**

(Continued)

(21) Appl. No.: **29/461,399**

OTHER PUBLICATIONS

(22) Filed: **Jul. 23, 2013**

AGV Diesel Hi-Jack Helmet [on-line]; earliest review dated Apr. 9, 2012; retrieved from the Internet on Oct. 1, 2013. URL: >http://www.revzilla.com/motorcycle/agv-diesel-hi-jack-helmet<. (3 pages).\*

**Related U.S. Application Data**

(Continued)

(63) Continuation-in-part of application No. 29/428,787, filed on Aug. 3, 2012, now Pat. No. Des. 686,394, and a continuation-in-part of application No. 29/428,806, filed on Aug. 3, 2012, now Pat. No. Des. 686,395, and a continuation-in-part of application No. 29/428,823, filed on Aug. 3, 2012, and a continuation-in-part of application No. 29/450,523, filed on Mar. 19, 2013, and a continuation-in-part of application No. 29/450,532, filed on Mar. 19, 2013, and a continuation-in-part of application No. 29/450,541, filed on Mar. 19, 2013, and a continuation-in-part of application No. 29/458,887, filed on Jun. 24, 2013, and a continuation-in-part of application No. 29/458,898, filed on Jun. 24, 2013, and a continuation-in-part of application No. 29/458,904, filed on Jun. 24, 2013, and a continuation-in-part of application No. 29/458,910, filed on Jun. 24, 2013.

*Primary Examiner* — Karen E Eldridge Powers

(74) *Attorney, Agent, or Firm* — Robert L. McRae; Gunn, Lee & Cave, P.C.

(51) **LOC (10) Cl.** ..... **02-03**

(52) **U.S. Cl.**  
USPC ..... **D2/870**

(58) **Field of Classification Search**  
USPC ..... D2/865, 866, 868, 869, 870, 871, 872,  
D2/873, 874, 878, 879, 880, 881, 882, 886,  
D2/887, 888, 889, 890; D11/121, 125,  
D11/167, 180; D21/708; D29/102, 103,

(57) **CLAIM**

An ornamental design for a vertically-striped novelty headwear, as shown and described.

**DESCRIPTION**

FIG. 1 is a front elevation view of the vertically-striped novelty headwear showing my new design.

FIG. 2 is a top plan view of the design of FIG. 1.

FIG. 3 is a left side elevation view of the design of FIG. 1.

FIG. 4 is a rear elevation view of the design of FIG. 1.

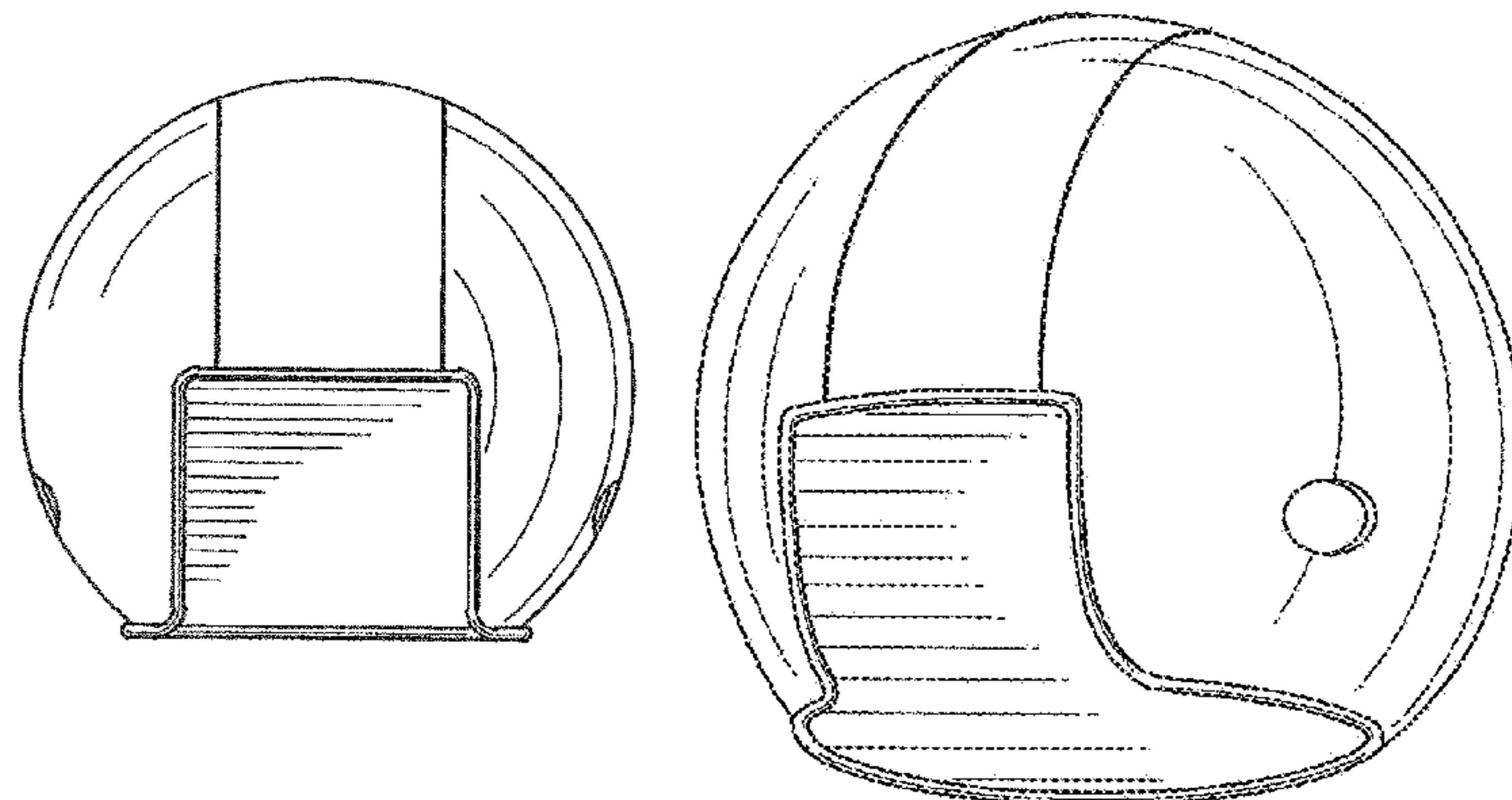
FIG. 5 is a right side elevation view of the design of FIG. 1.

FIG. 6 is a bottom plan view of the design of FIG. 1; and,

FIG. 7 is a front prospective view of the design of FIG. 1.

The human head shown in broken lines in FIG. 3 forms no part of the claimed design and is included to illustrate the environment in which the design is used and assists in showing how the claimed design appears when worn.

**1 Claim, 3 Drawing Sheets**



(56)

**References Cited**

U.S. PATENT DOCUMENTS

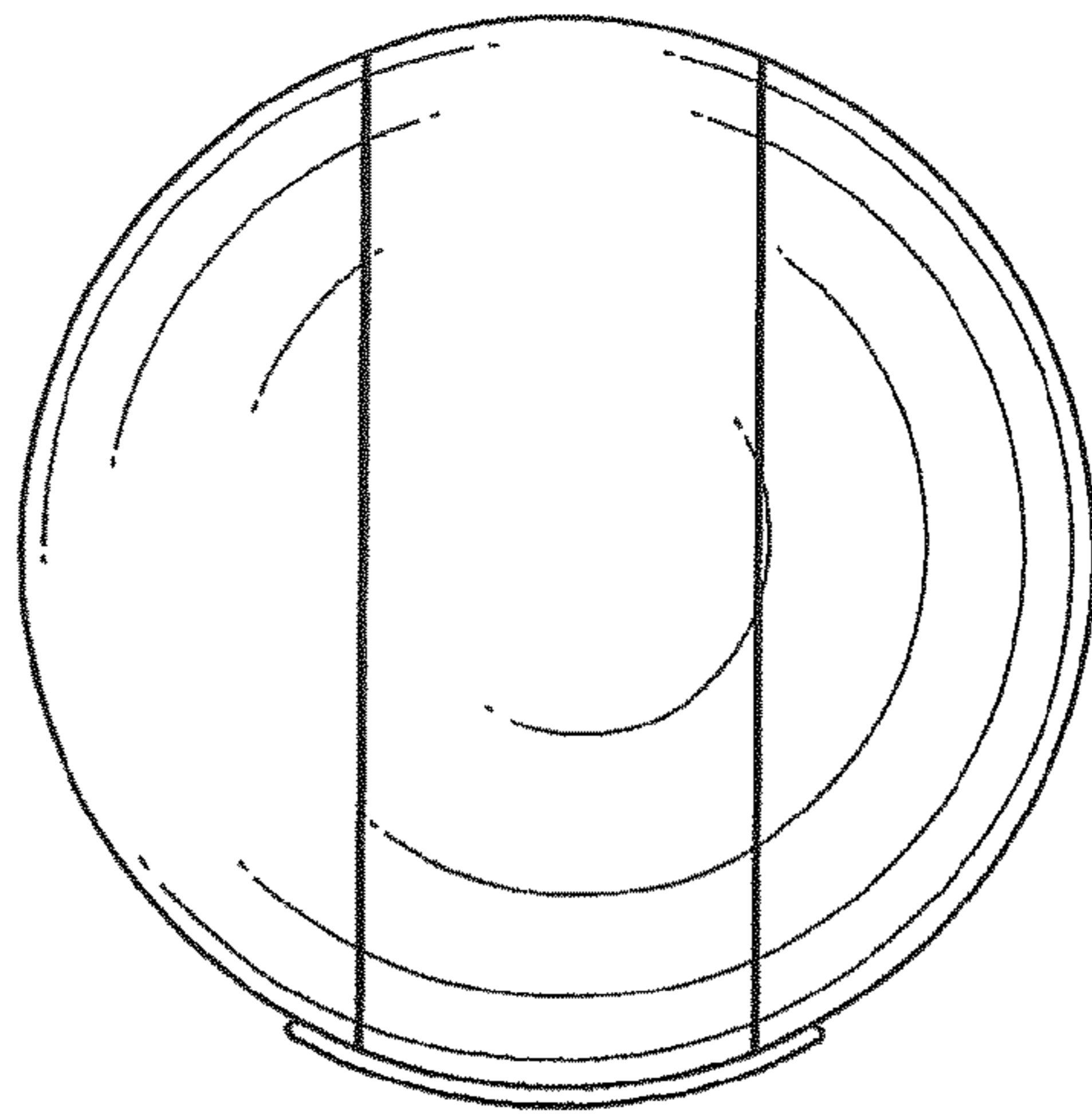
D53,374 S \* 5/1919 Mirabito ..... D11/167  
 D56,123 S \* 8/1920 Forbes ..... D2/867  
 D86,519 S \* 3/1932 Graber ..... D2/865  
 D100,972 S \* 8/1936 Pryale et al. .... D29/106  
 2,515,554 A \* 7/1950 Freeman ..... 2/68  
 2,869,133 A \* 1/1959 Garbellano ..... 2/68  
 D222,597 S \* 11/1971 Feuer ..... D19/42  
 D307,268 S \* 4/1990 Lee ..... D14/126  
 D316,165 S \* 4/1991 Gentes et al. .... D29/102  
 D332,507 S \* 1/1993 Anderson et al. .... D29/106  
 5,343,569 A \* 9/1994 Asare et al. .... 2/412  
 D369,015 S \* 4/1996 Griffin, Jr. .... D2/869  
 6,047,400 A \* 4/2000 Spencer ..... 2/9  
 D449,653 S \* 10/2001 Curry ..... D20/11  
 D634,516 S \* 3/2011 Wilson ..... D2/870

D672,533 S \* 12/2012 Wilson ..... D2/870  
 D685,160 S \* 7/2013 Savage ..... D2/831  
 D686,394 S \* 7/2013 Wilson ..... D2/870  
 D686,395 S \* 7/2013 Wilson ..... D2/870  
 D688,041 S \* 8/2013 Kroupa ..... D3/264  
 2004/0250337 A1 \* 12/2004 Pietrzykowski ..... 2/195.3  
 2009/0025112 A1 \* 1/2009 Corsini ..... 2/7  
 2009/0178176 A1 \* 7/2009 Rowe et al. .... 2/172

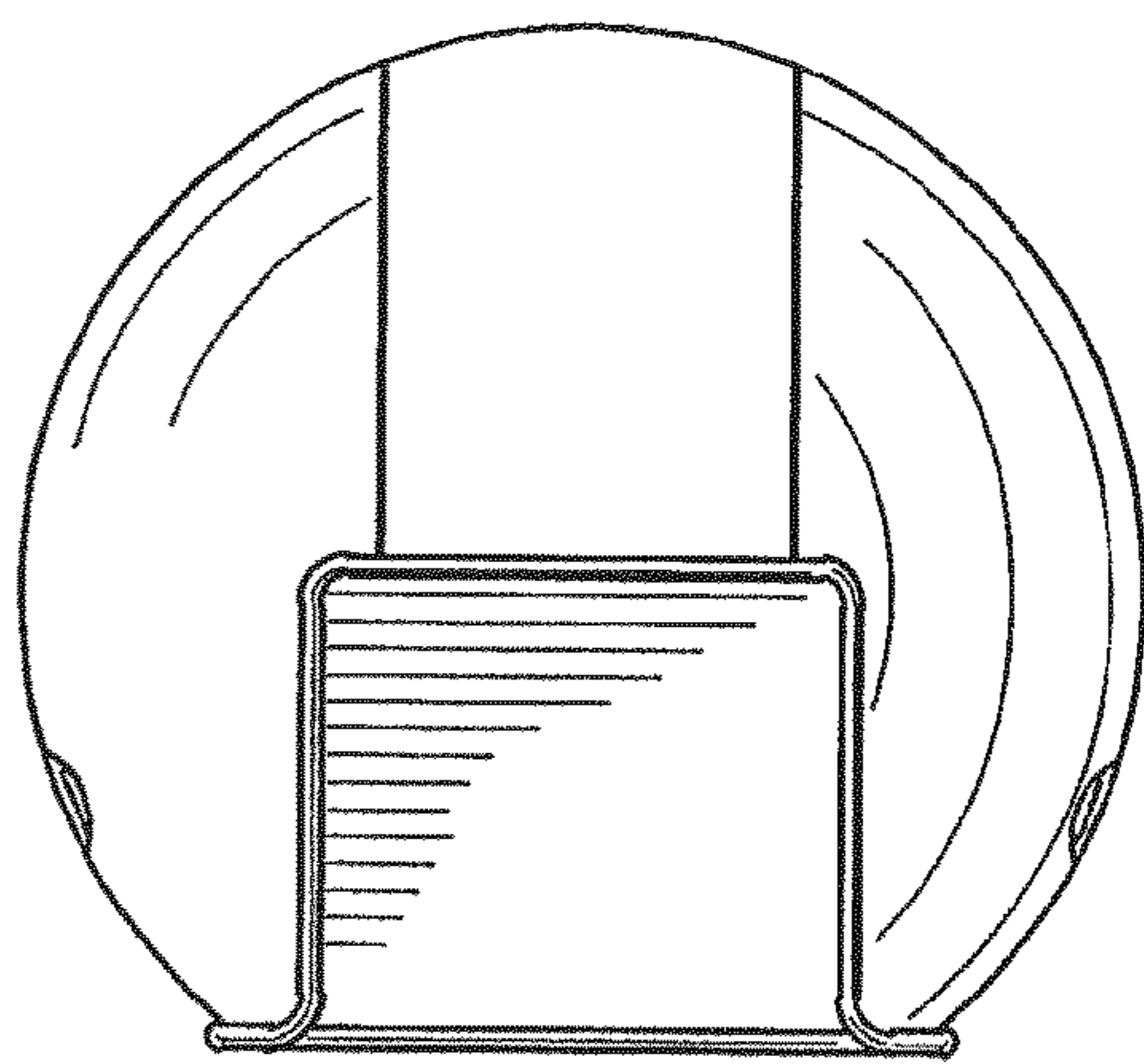
OTHER PUBLICATIONS

Hot Leathers Retro Orange Stripe Matte Black Helmet, [on-line];  
 uploaded to the Internet at least as early as Mar. 27, 2012; retrieved  
 from the Internet on Oct. 1, 2013. URL: ><http://www.hotleathers.com/Hot-Leathers-Retro-Orange-Stripe-Matte-Black-Helmet-P9307.aspx><. (3 pages).\*

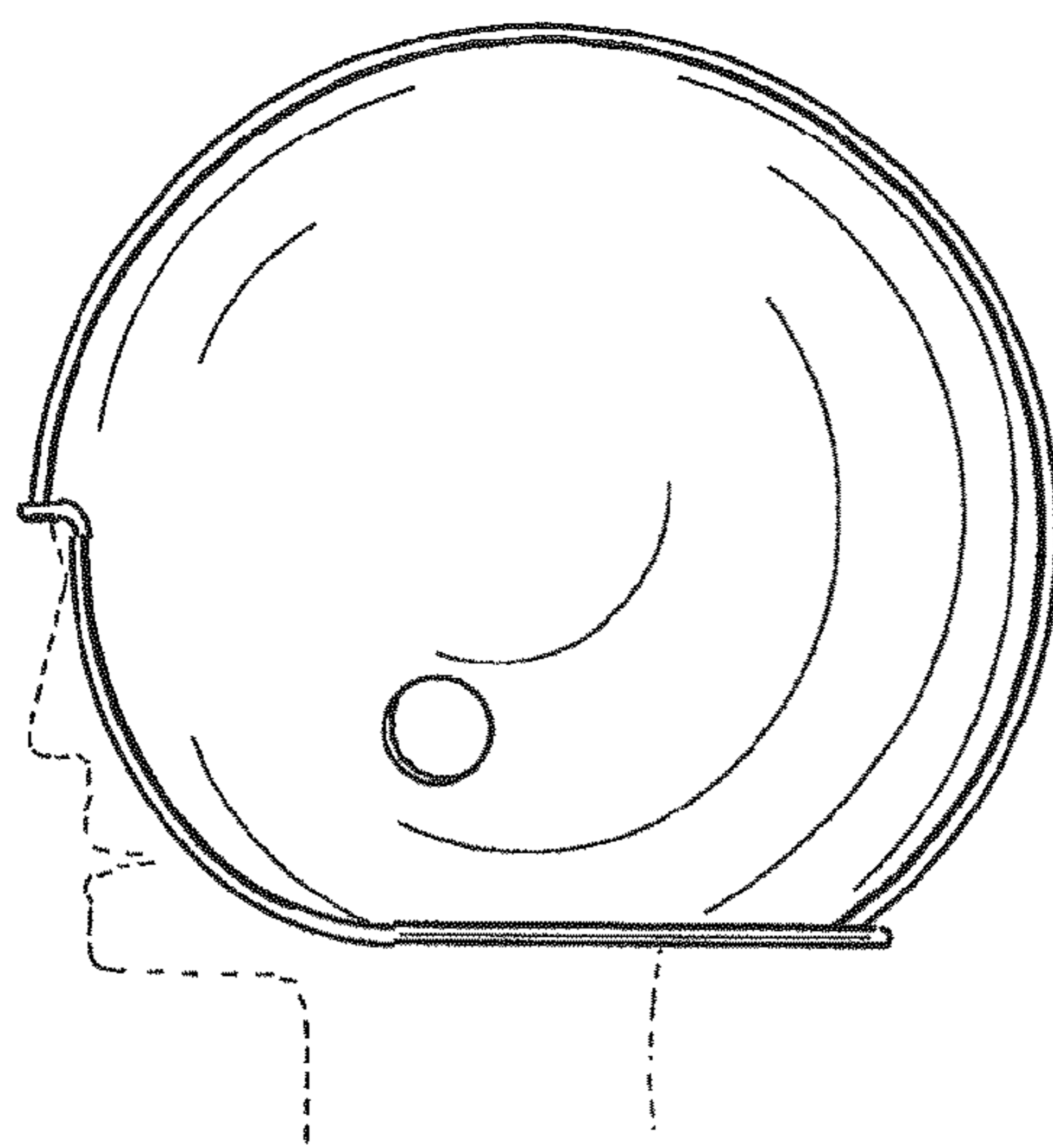
\* cited by examiner



*Fig. 2*

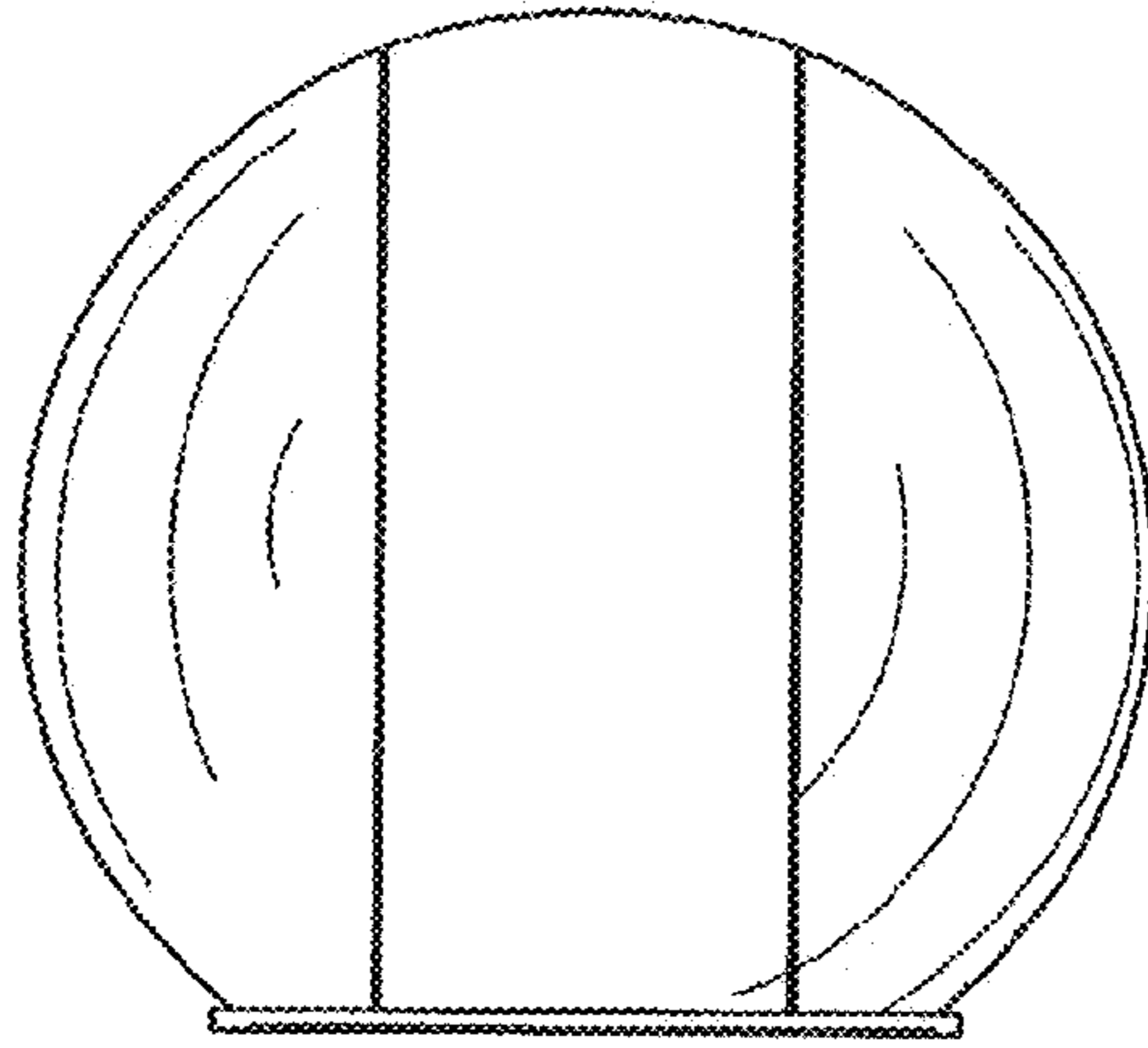


*Fig. 1*

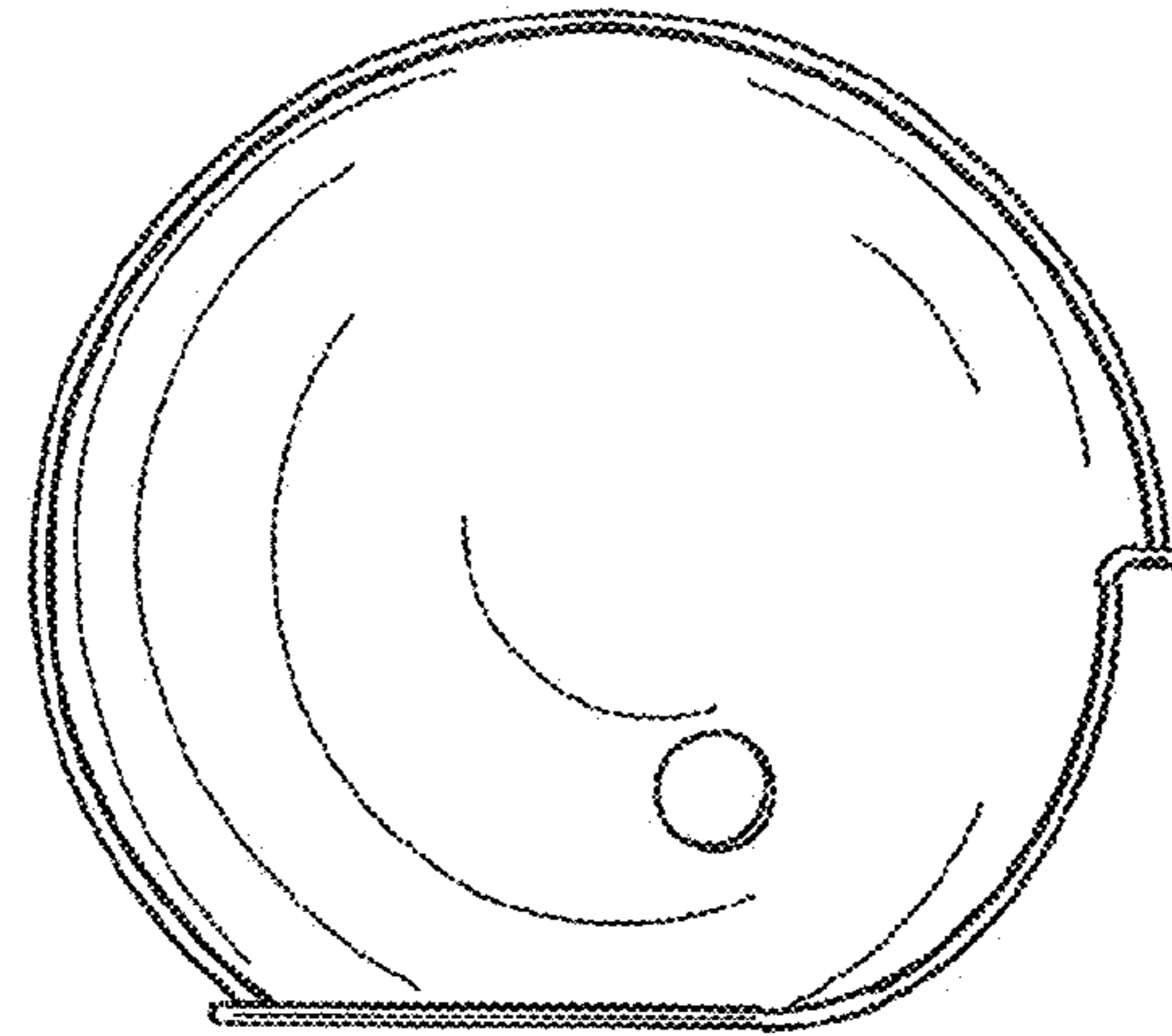


*Fig. 3*

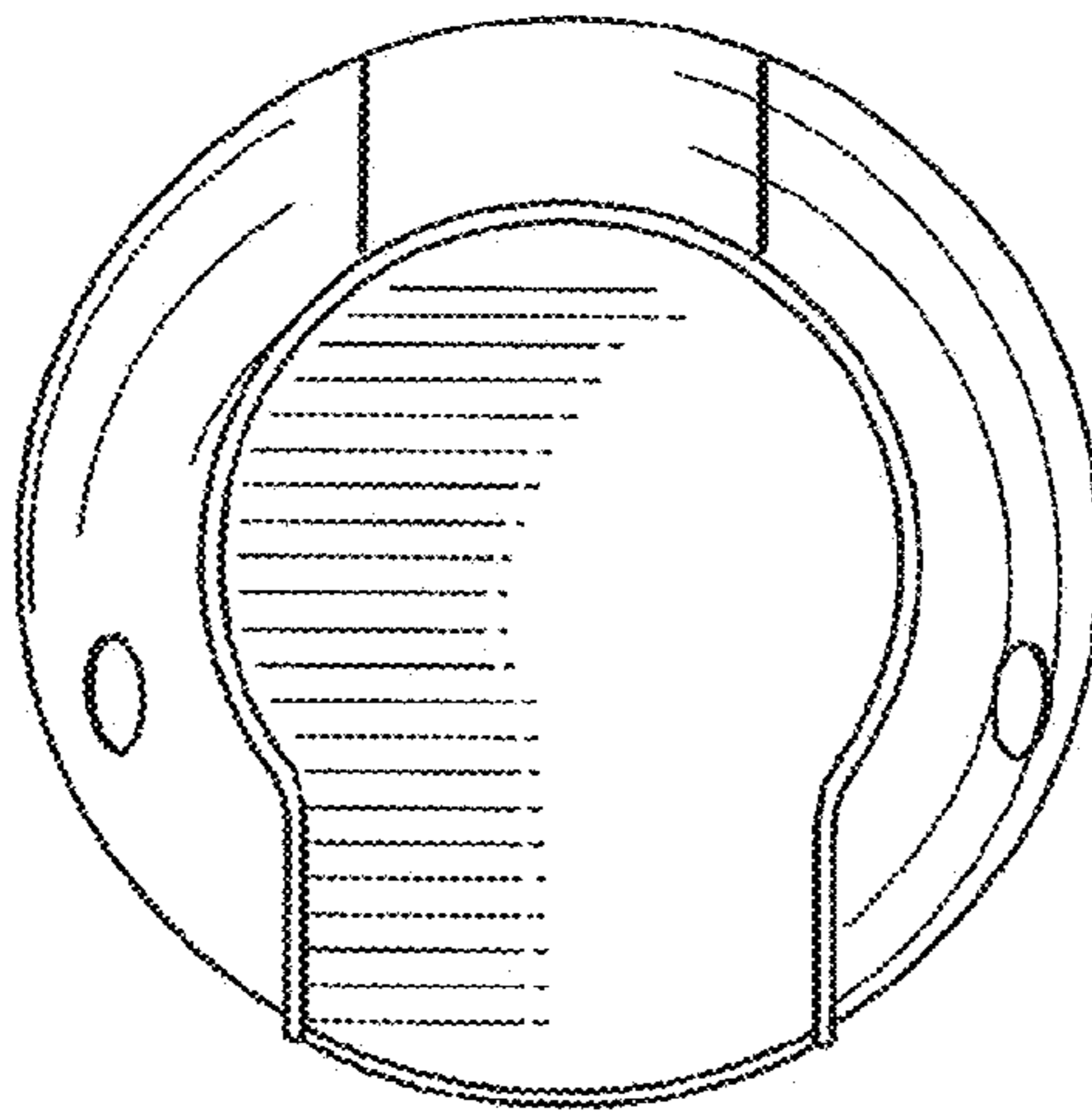




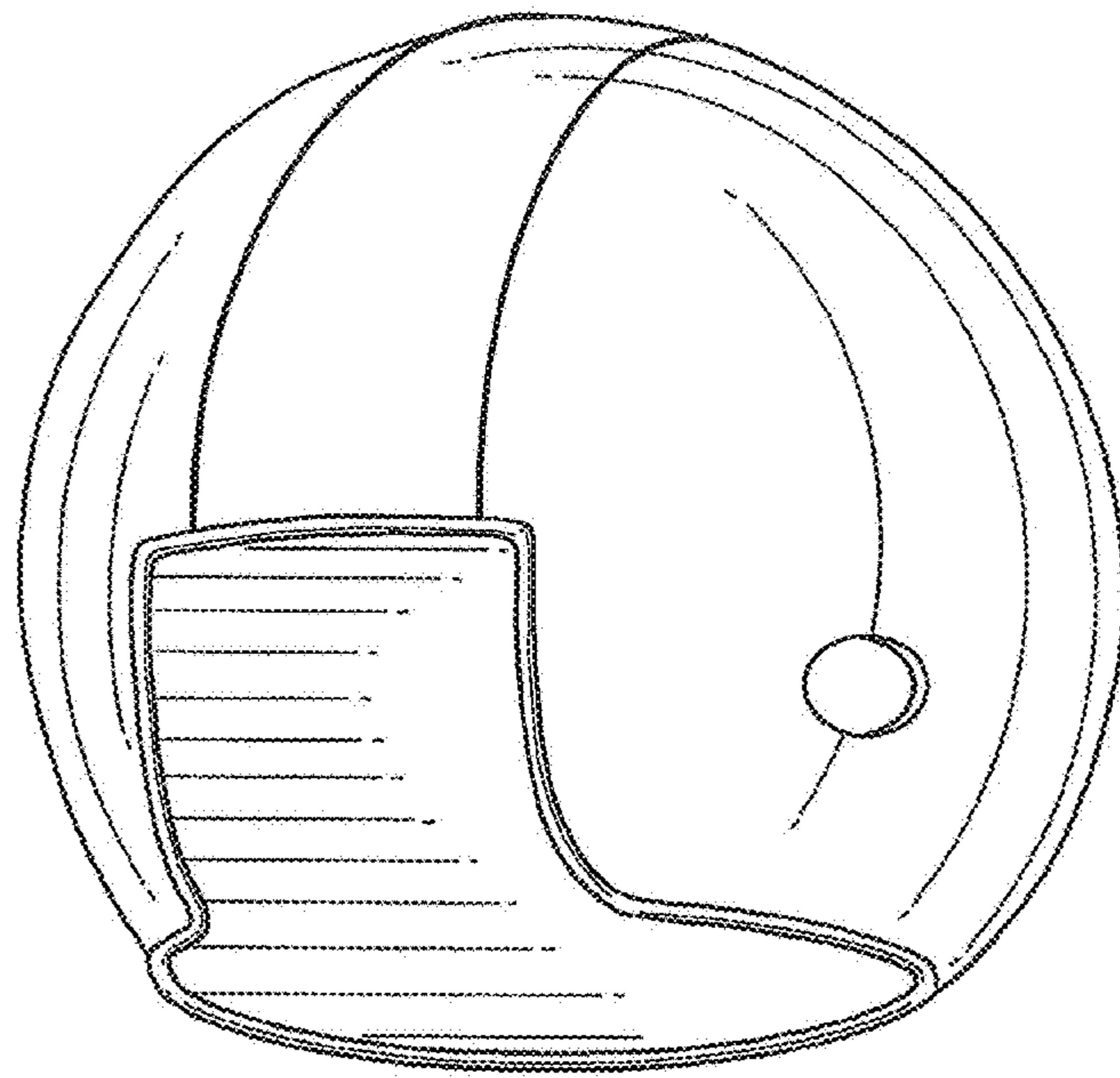
*Fig. 4*



*Fig. 5*



*Fig. 6*



*Fig. 7*