



US00D711626S

(12) **United States Design Patent**  
**Savage**

(10) **Patent No.:** **US D711,626 S**  
(45) **Date of Patent:** **\*\* Aug. 26, 2014**

(54) **SHORTS**

(71) Applicant: **lululemon athletic canada Inc.,**  
Vancouver (CA)  
(72) Inventor: **Shannon Savage,** Vancouver (CA)  
(73) Assignee: **Lululemon Athletica Canada Inc.,**  
Vancouver (CA)

(\*\*) Term: **14 Years**  
(21) Appl. No.: **29/480,789**  
(22) Filed: **Jan. 29, 2014**

**Related U.S. Application Data**

(62) Division of application No. 29/403,971, filed on Oct. 13, 2011, now Pat. No. Des. 701,676.  
(51) **LOC (10) Cl.** ..... **02-02**  
(52) **U.S. Cl.**  
USPC ..... **D2/738**  
(58) **Field of Classification Search**  
USPC ..... D2/700, 712, 731, 738, 742; 2/23, 79,  
2/227, 228, 231, 234, 238, 242; 450/94,  
450/95, 115, 130  
See application file for complete search history.

(56) **References Cited**

**U.S. PATENT DOCUMENTS**

3,945,051 A 3/1976 Burkard  
4,223,408 A \* 9/1980 Sullivan ..... 2/238  
D266,540 S 10/1982 Nacinovich  
4,602,388 A \* 7/1986 Underwood et al. .... 2/238  
D311,632 S \* 10/1990 Beam ..... D2/712  
5,704,071 A \* 1/1998 Barclay et al. .... 2/238  
D403,487 S 1/1999 Crupi et al.

D467,055 S 12/2002 Lyden  
D532,958 S 12/2006 Kent  
D591,928 S 5/2009 Kirsch et al.  
D615,279 S 5/2010 Savage  
7,941,871 B1 5/2011 Jorgensen  
D654,661 S 2/2012 Savage  
D660,553 S 5/2012 Farina et al.  
D673,756 S 1/2013 Agnew et al.

(Continued)

**OTHER PUBLICATIONS**

Janji. [http://runjanji.com/womens/running-shorts?product\\_id=130](http://runjanji.com/womens/running-shorts?product_id=130).  
Copyright 2013. "Women's Kenya Anna Shorts".\*  
Portland Running Company. <http://shop.portlandrunningcompany.com/moving-comfort-momentum-short-w/dp/51314>. Copyright 2013. "Moving Comfort Momentum Short".

(Continued)

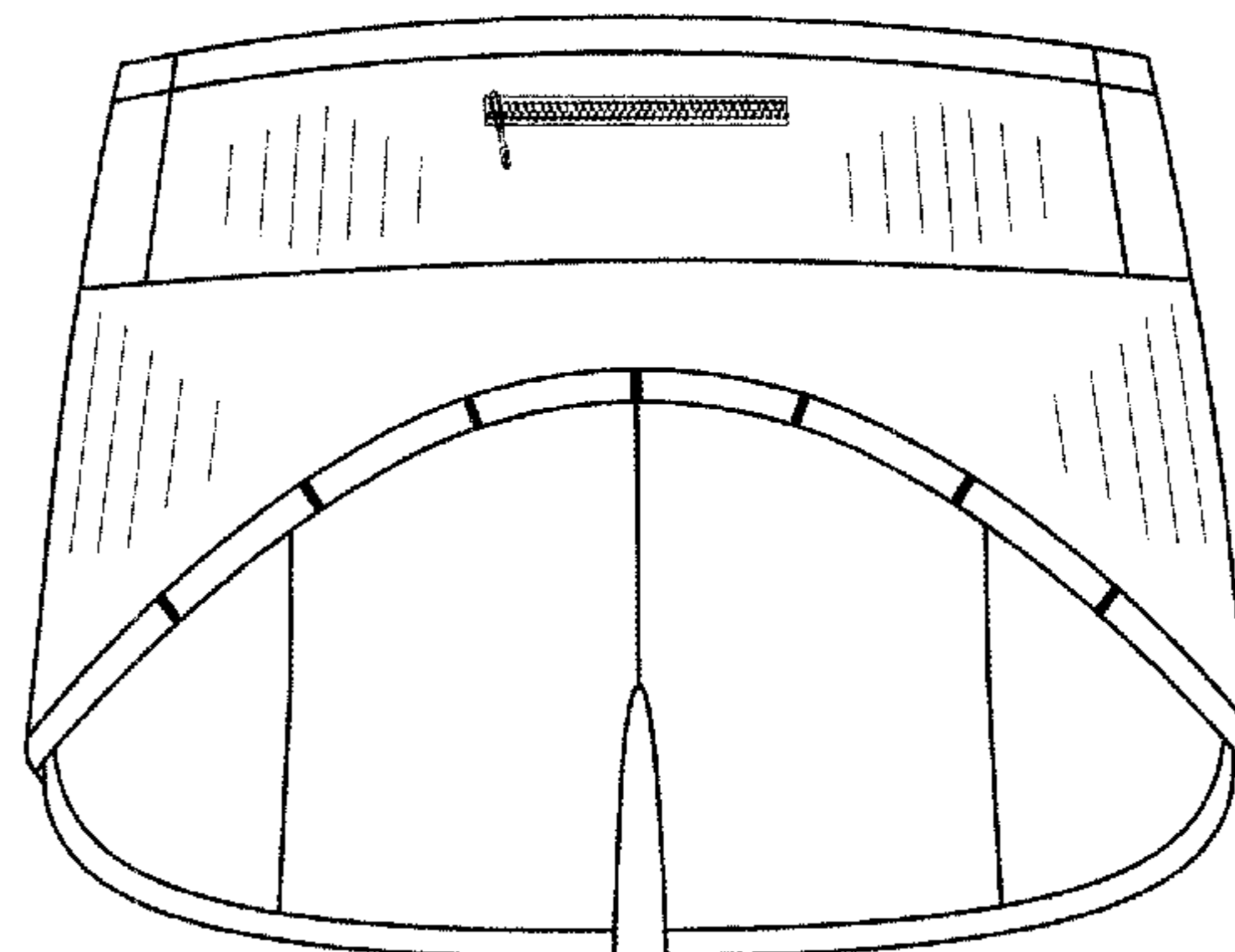
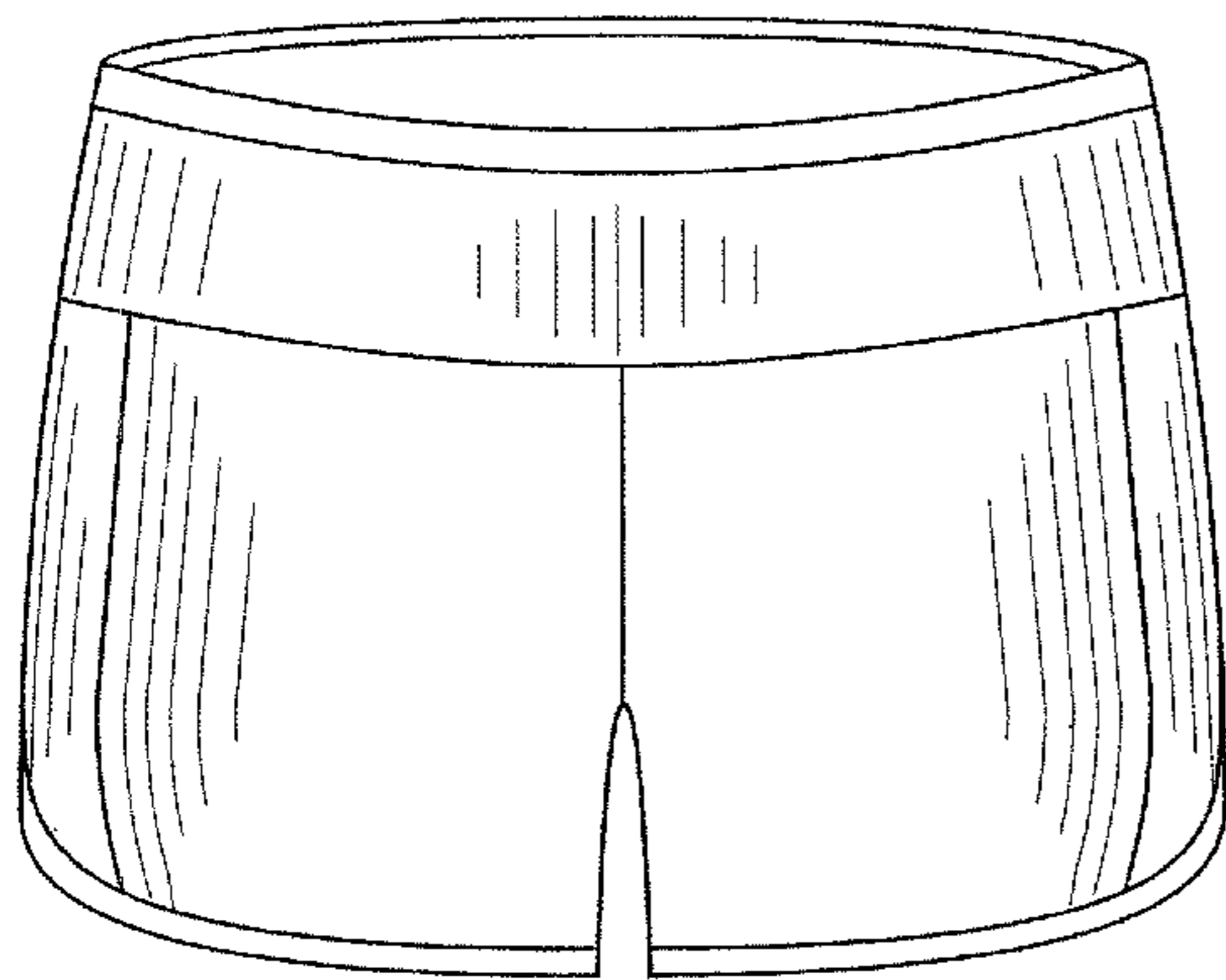
*Primary Examiner* — Rashida Johnson  
(74) *Attorney, Agent, or Firm* — McCarthy Tétrault LLP

(57) **CLAIM**  
The ornamental design for shorts, as shown and described.

**DESCRIPTION**

FIG. 1 is a front view of shorts according to a first embodiment of the design;  
FIG. 2 is a rear view of the shorts shown in FIG. 1;  
FIG. 3 is a right side view of the shorts shown in FIG. 1;  
FIG. 4 is a left side view of the shorts shown in FIG. 1;  
FIG. 5 is a front view of shorts according to a second embodiment of the design;  
FIG. 6 is a left side view of the shorts shown in FIG. 5;  
FIG. 7 is a rear view of the shorts shown in FIG. 5; and,  
FIG. 8 is a right side view of the shorts shown in FIG. 5.  
The symbol depicted in FIGS. 7 and 8, forming part of the claimed design, is a registered trademark of Lululemon Athletica Canada Inc.

**1 Claim, 8 Drawing Sheets**



(56)

**References Cited**

U.S. PATENT DOCUMENTS

D701,676 S \* 4/2014 Savage ..... D2/738  
2006/0107443 A1 5/2006 DeRosa  
2012/0117714 A1 5/2012 Peck et al.

OTHER PUBLICATIONS

Indiegogo. WOD Gear Athletics. <http://www.indiegogo.com/projects/wod-gear-athletics-premium-fitness-apparel-made-in-the-u-s>. Copyright 2013. Women's Running Shorts.

\* cited by examiner

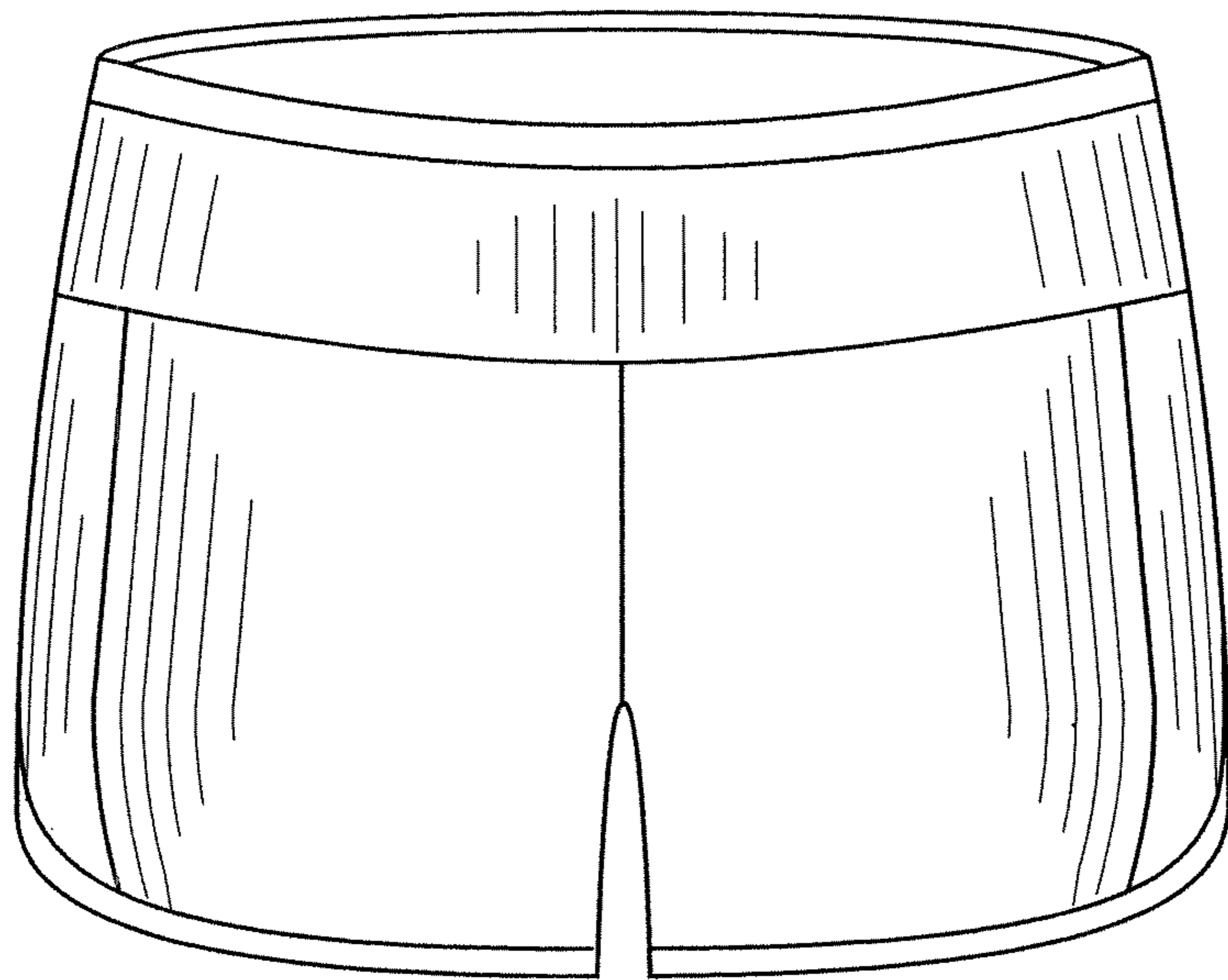


FIG. 1

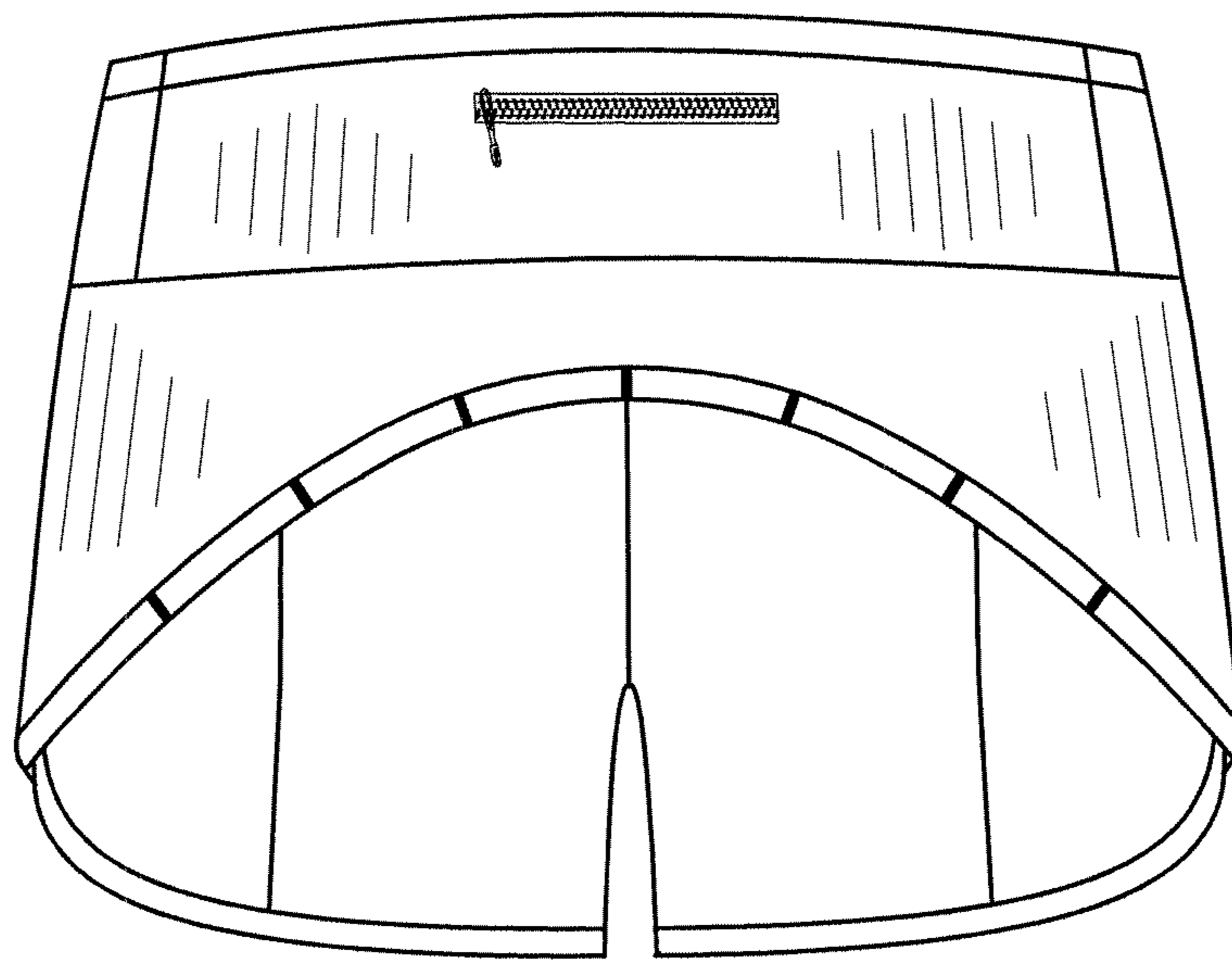


FIG.2

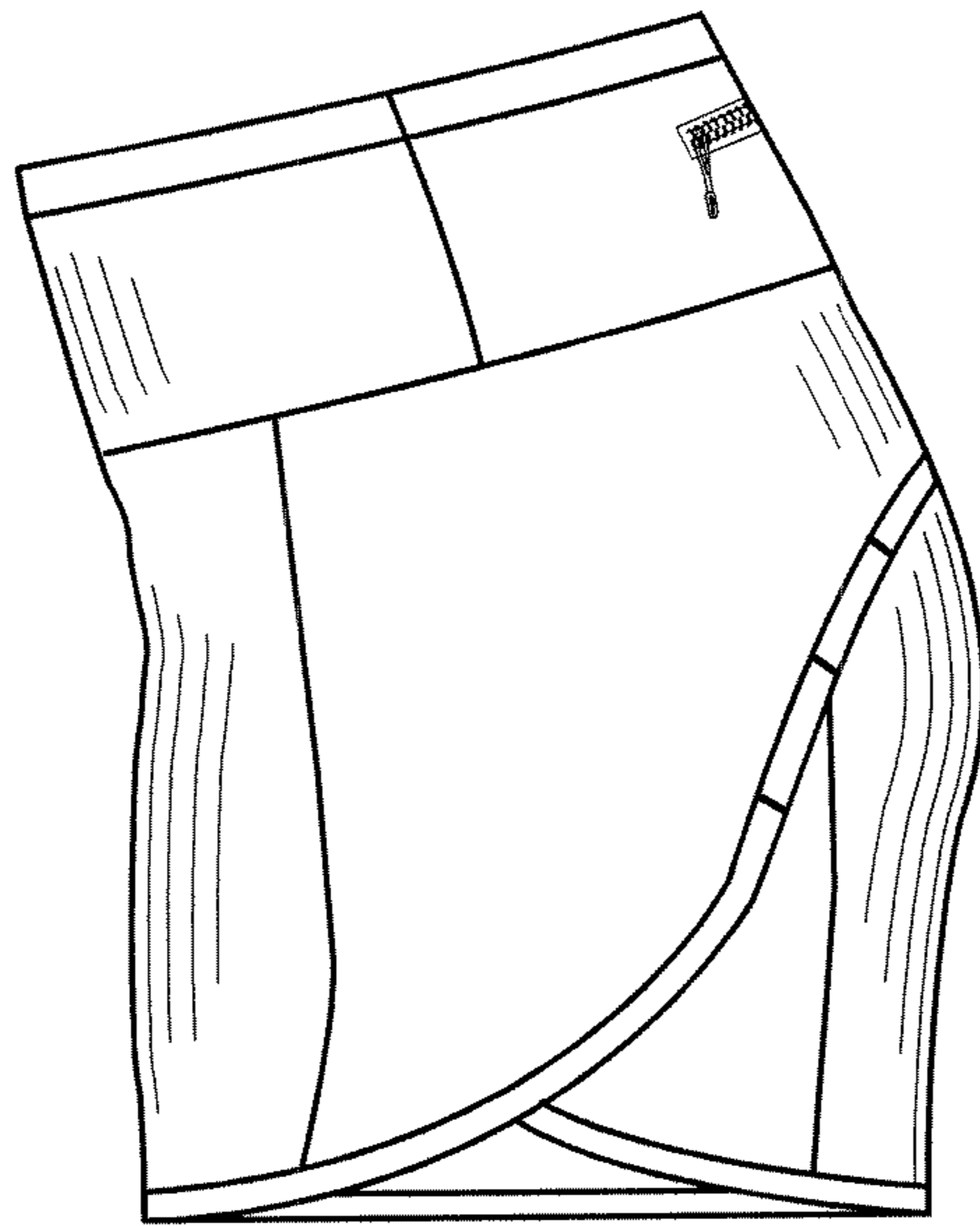


FIG. 3

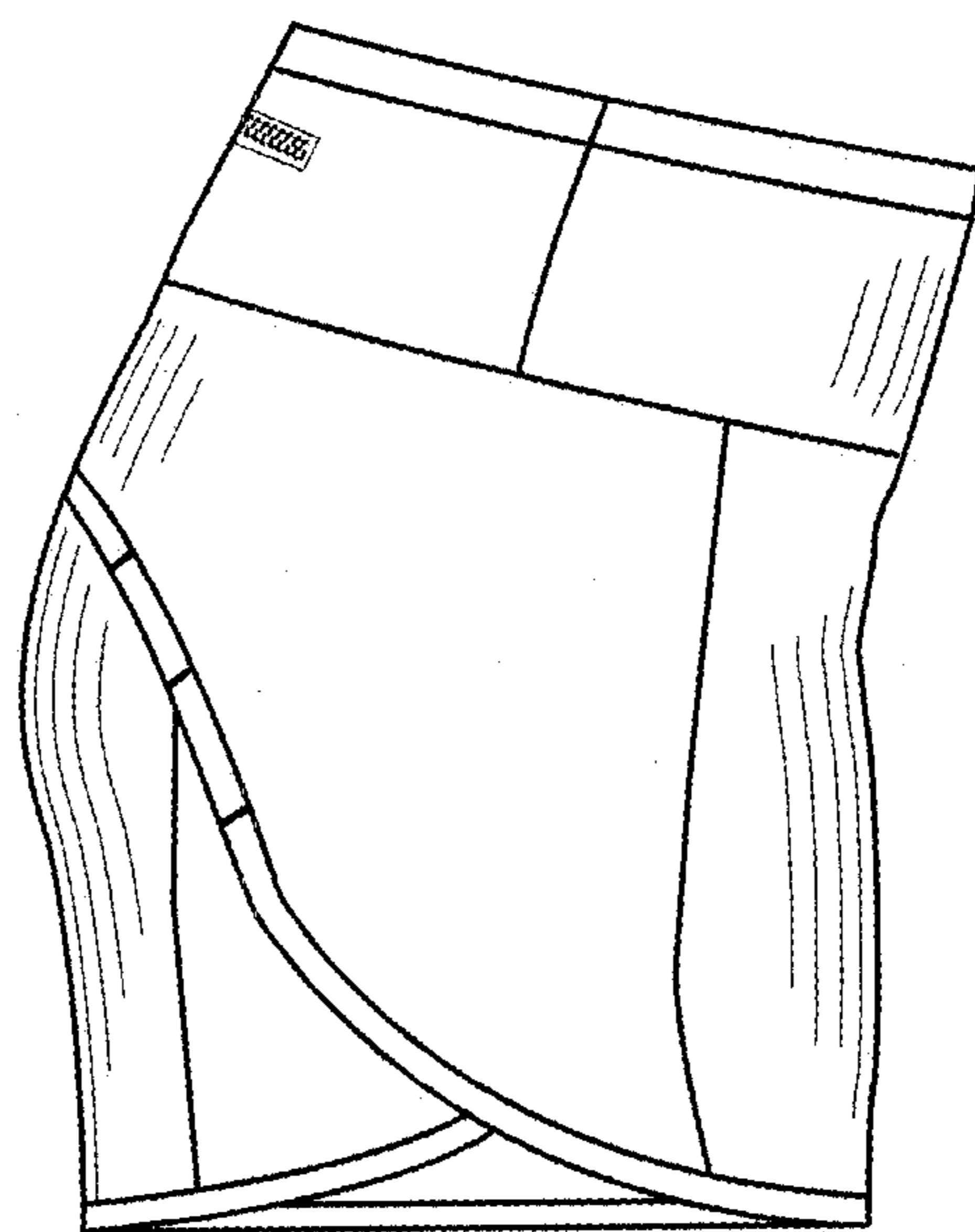


FIG. 4

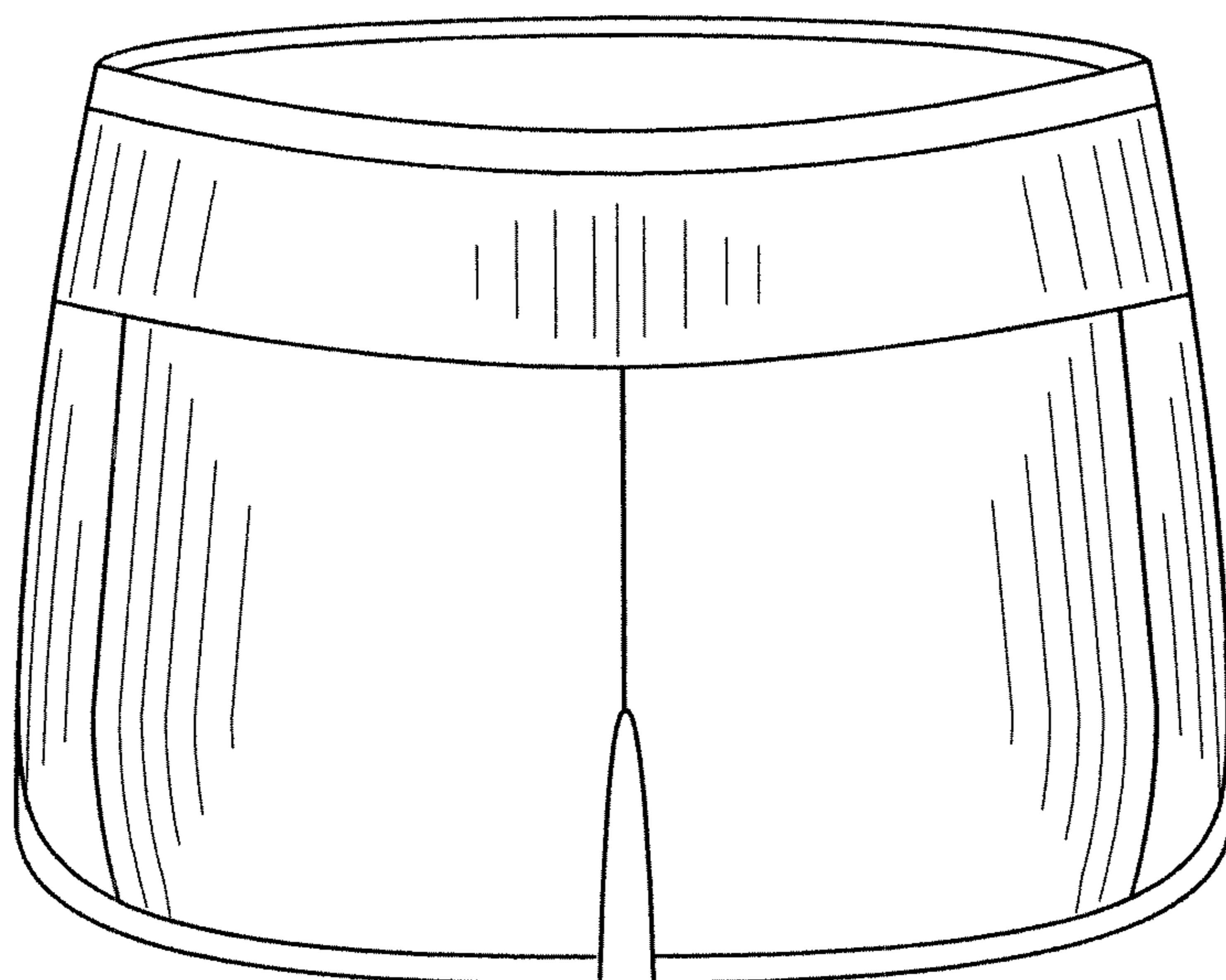


FIG. 5

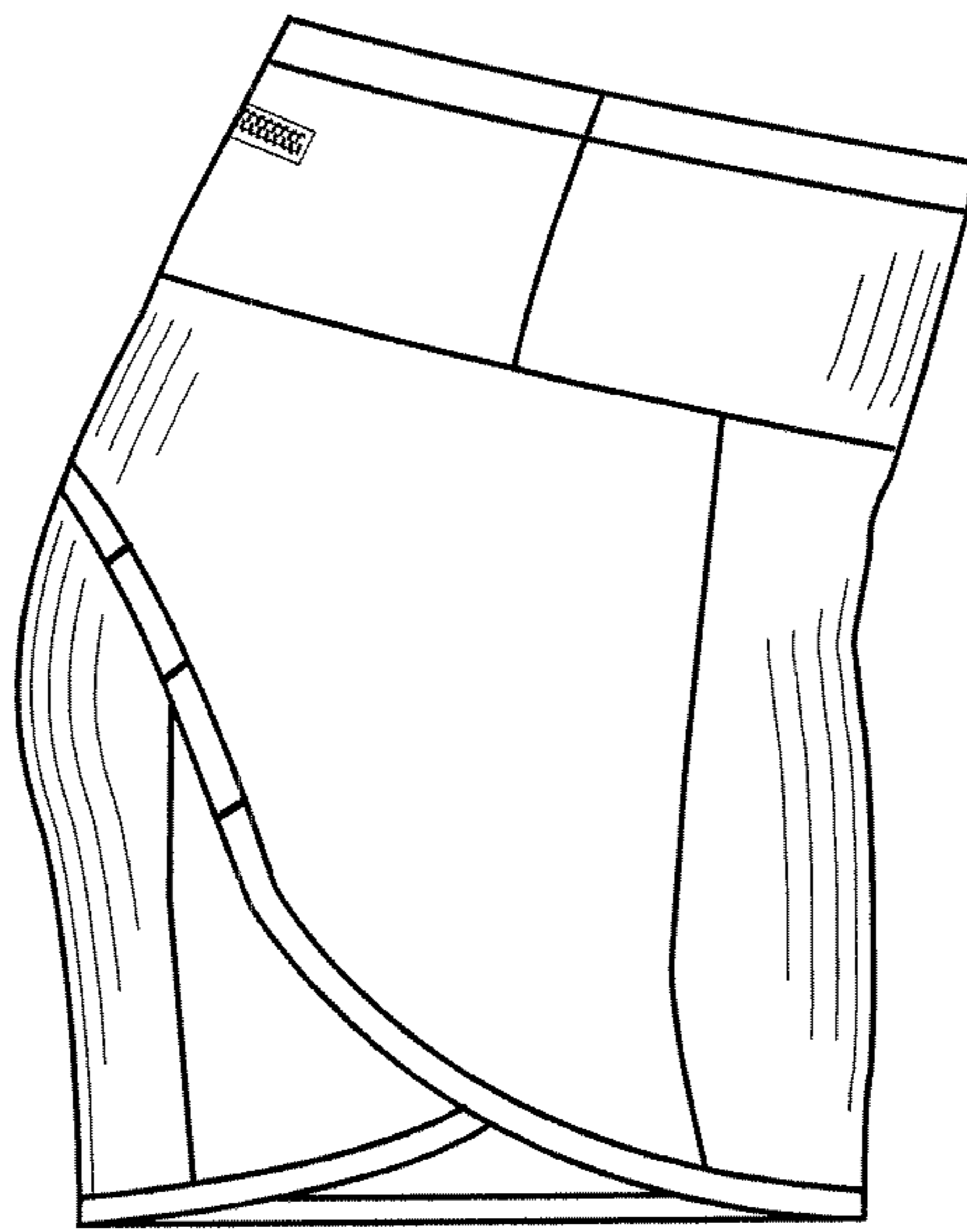


FIG. 6



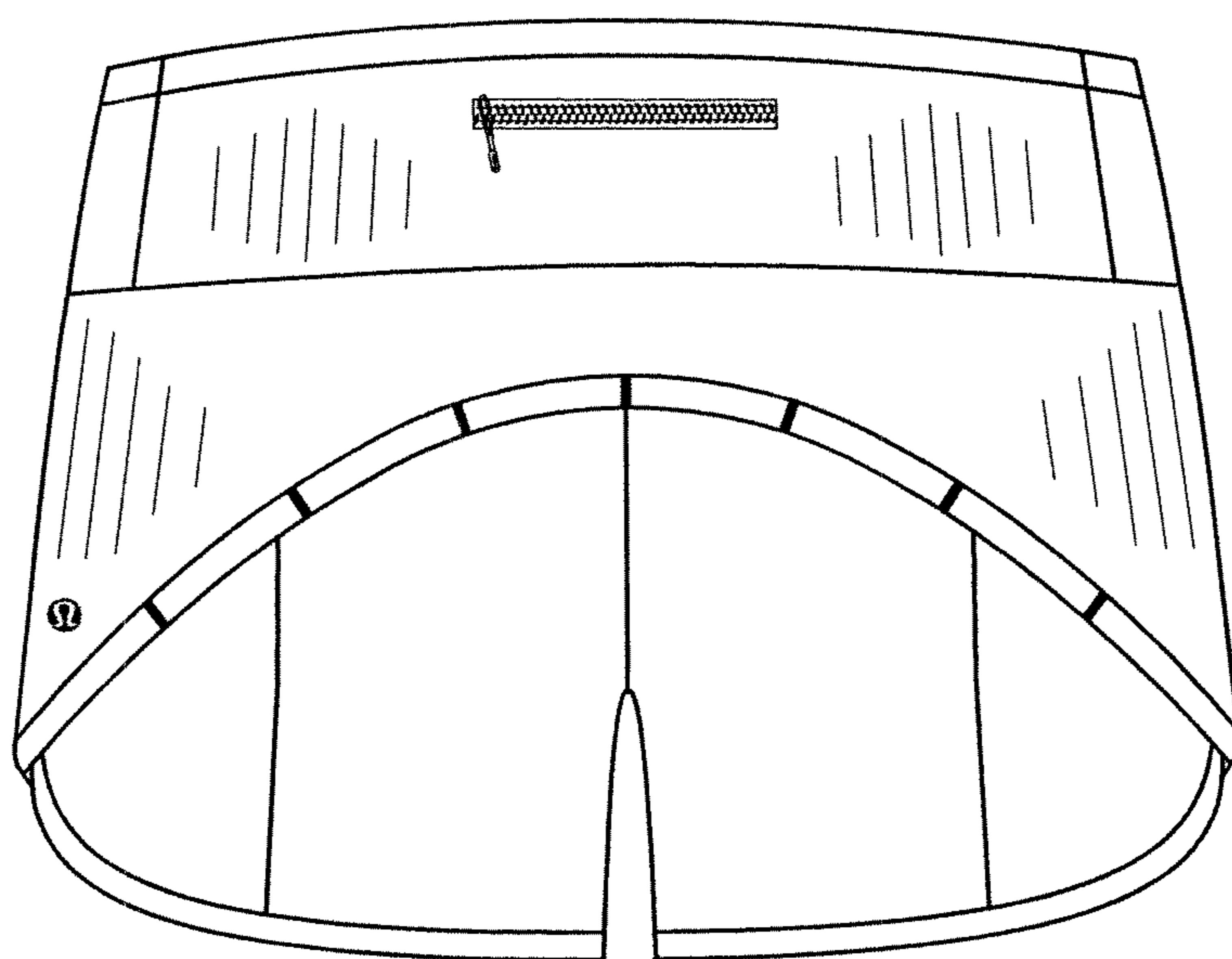


FIG. 7

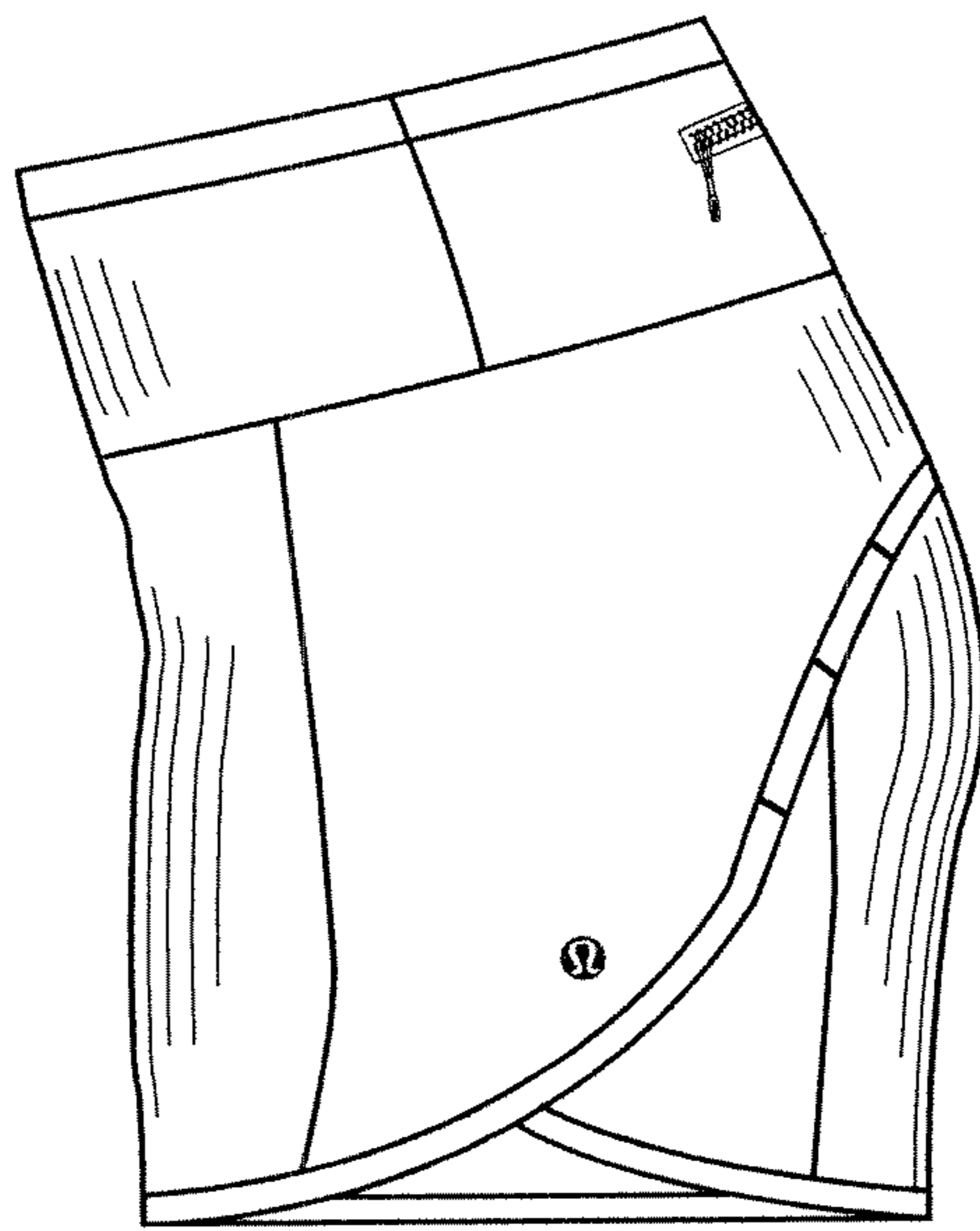


FIG. 8