



US00D711625S

(12) **United States Design Patent**  
**Eirich et al.**

(10) **Patent No.:** **US D711,625 S**

(45) **Date of Patent:** **\*\* Aug. 26, 2014**

(54) **WEDGIE**  
(71) Applicants: **Toby Eirich**, Cumberland, MD (US);  
**Jodi Nichols**, Swanton, MD (US)  
(72) Inventors: **Toby Eirich**, Cumberland, MD (US);  
**Jodi Nichols**, Swanton, MD (US)

(\*\*) Term: **14 Years**

(21) Appl. No.: **29/463,018**

(22) Filed: **Jul. 8, 2013**

(51) **LOC (10) Cl.** ..... **02-07**

(52) **U.S. Cl.**  
USPC ..... **D2/639; D11/200**

(58) **Field of Classification Search**  
CPC ..... **A41F 9/00; B60R 22/00**  
USPC ..... **D11/1-2, 200-201, 206-210, 214-218;**  
**24/163 R, 169-171, 173, 177-179, 191,**  
**24/194-195, 197, 200, 614-616, 625, 196,**  
**24/593.1; 280/801.1, 733; D2/639, 624;**  
**D21/630**

See application file for complete search history.

(56) **References Cited**

**U.S. PATENT DOCUMENTS**

D301,084 S \* 5/1989 Mathews ..... D2/639

4,886,318 A \* 12/1989 Pennock ..... 297/482  
D338,552 S \* 8/1993 Carrico et al. .... D2/639  
5,322,349 A \* 6/1994 Gianino ..... 297/482  
5,335,957 A \* 8/1994 Golder ..... 297/482  
D359,711 S \* 6/1995 Bell ..... D11/218  
5,491,845 A \* 2/1996 Takimoto ..... 2/338  
5,620,234 A \* 4/1997 Gunby ..... 297/482  
5,785,388 A \* 7/1998 Curtis ..... 297/482  
7,121,628 B2 \* 10/2006 Lo ..... 297/482  
7,318,606 B1 \* 1/2008 Berke ..... 280/801.1

\* cited by examiner

*Primary Examiner* — Ralf Seifert

(74) *Attorney, Agent, or Firm* — Paul R. Martin

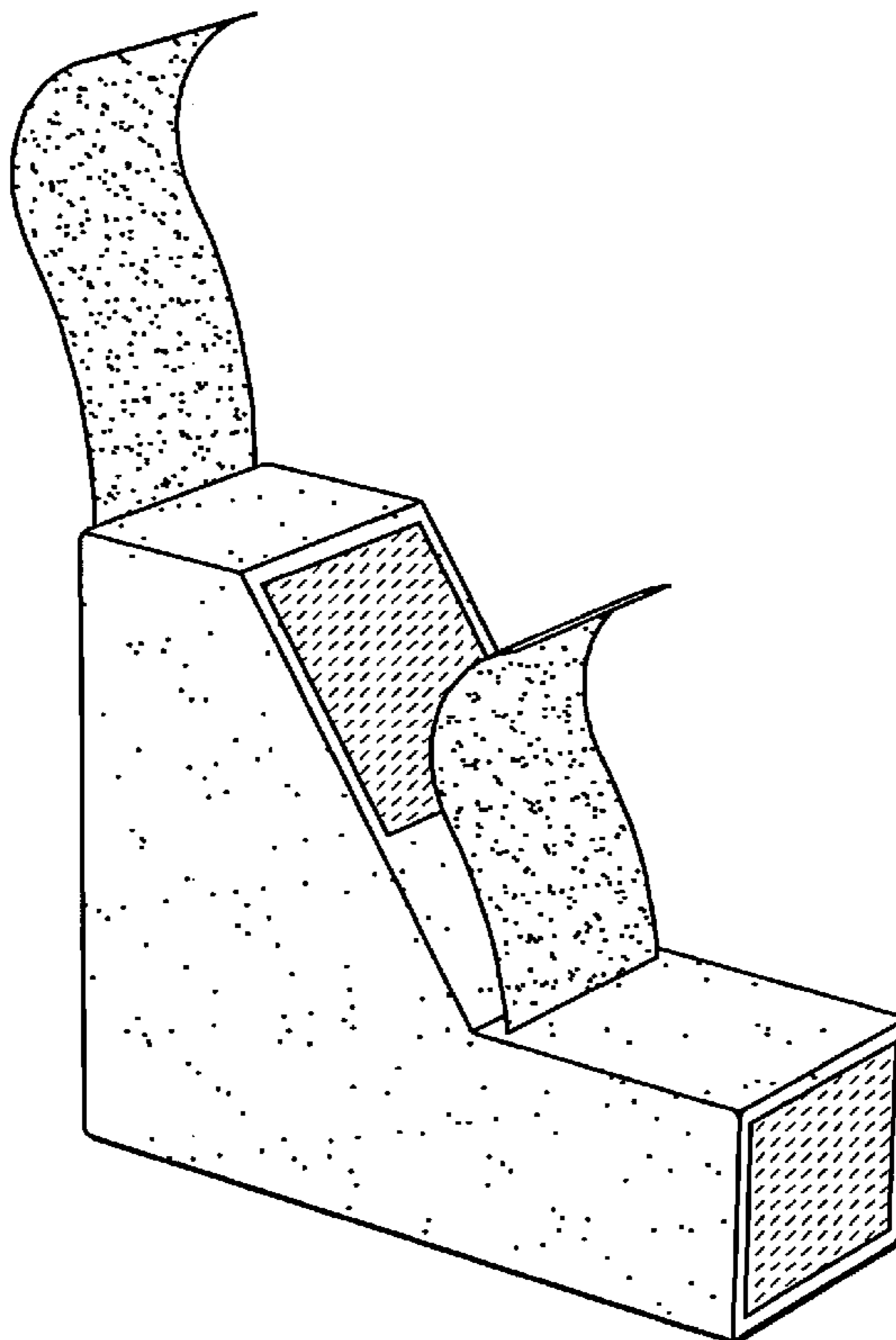
(57) **CLAIM**

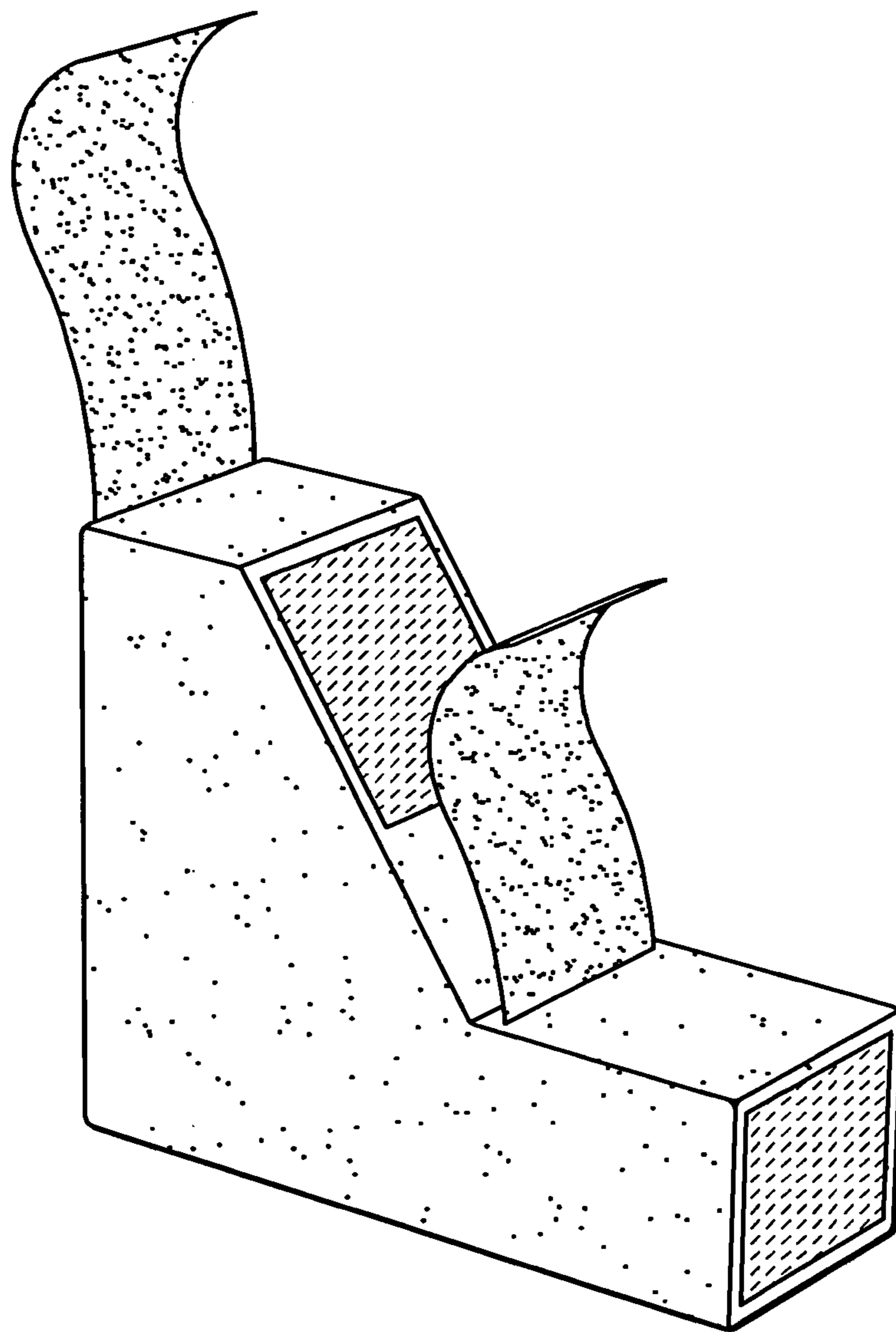
The ornamental design for a wedgie, as shown and described.

**DESCRIPTION**

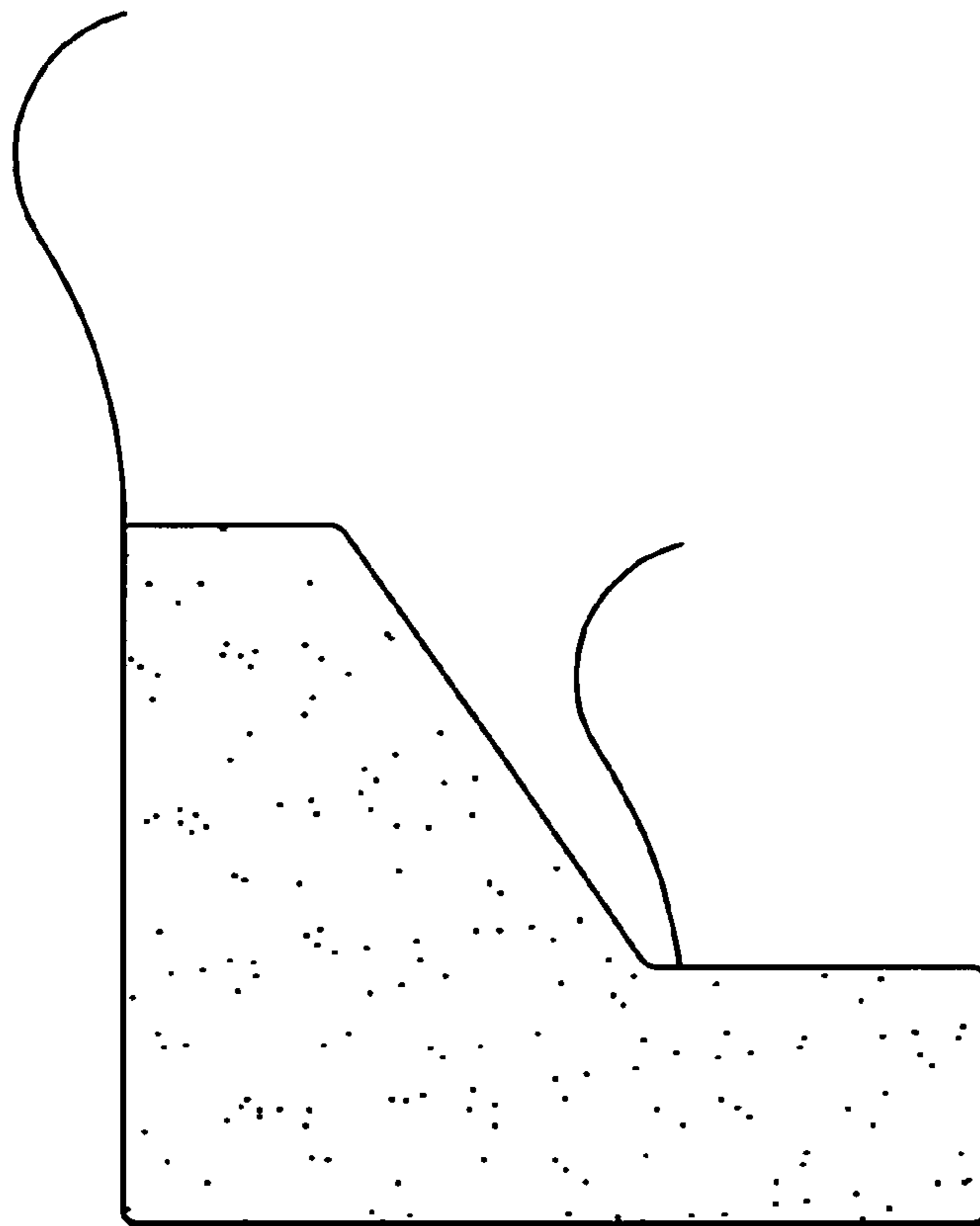
FIG. 1 is perspective view of the wedgie of our new design.  
FIG. 2 is a elevational view of one side thereof. The opposite side is a mirror image thereof.  
FIG. 3 is an top plan view thereof.  
FIG. 4 is a bottom plan view thereof.  
FIG. 5 is a front end elevational view thereof; and,  
FIG. 6 is a back end elevational view thereof.

**1 Claim, 3 Drawing Sheets**

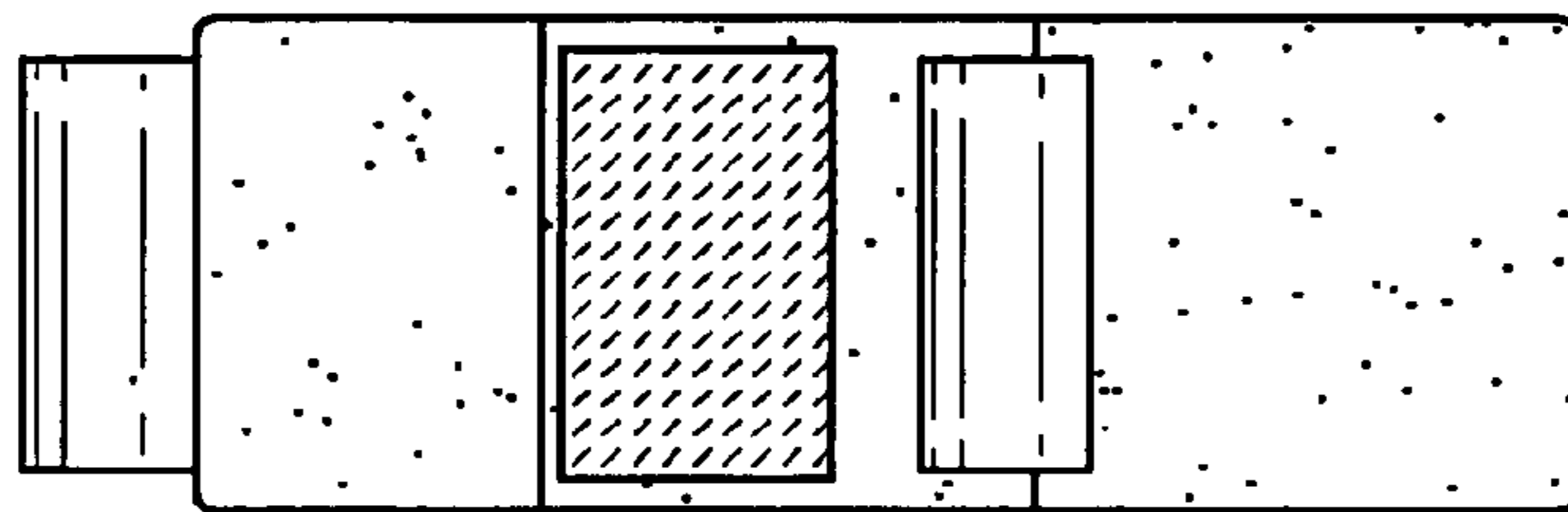




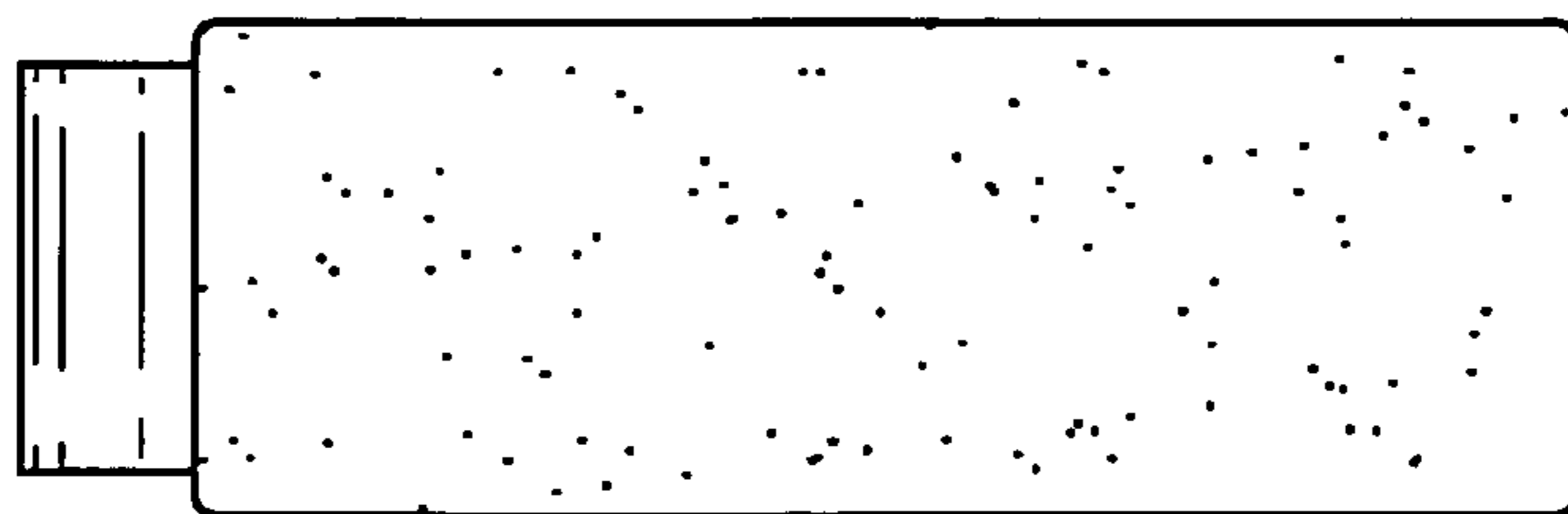
**FIG. 1**



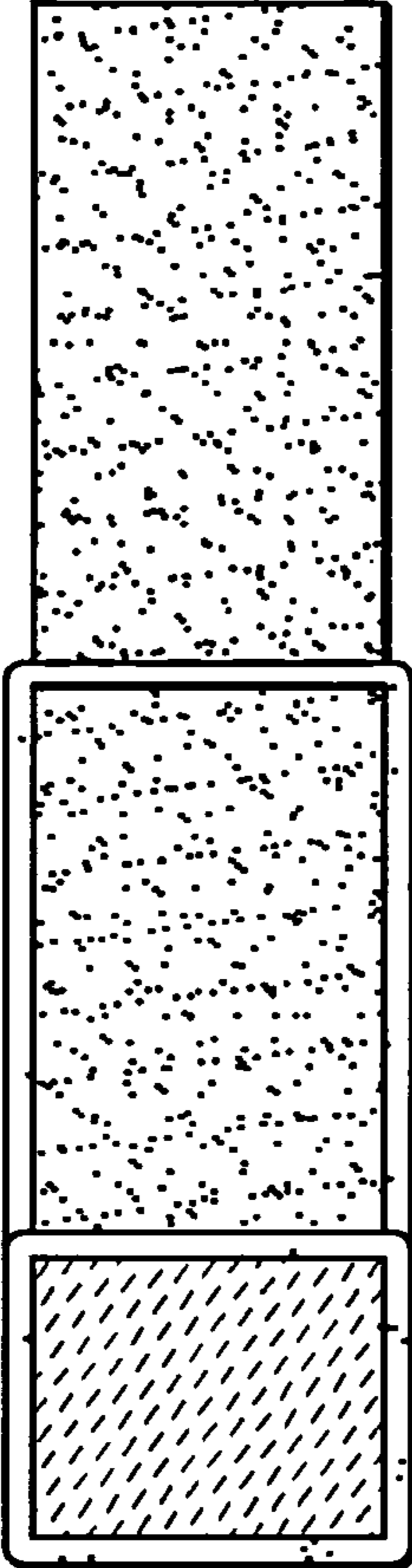
**FIG. 2**



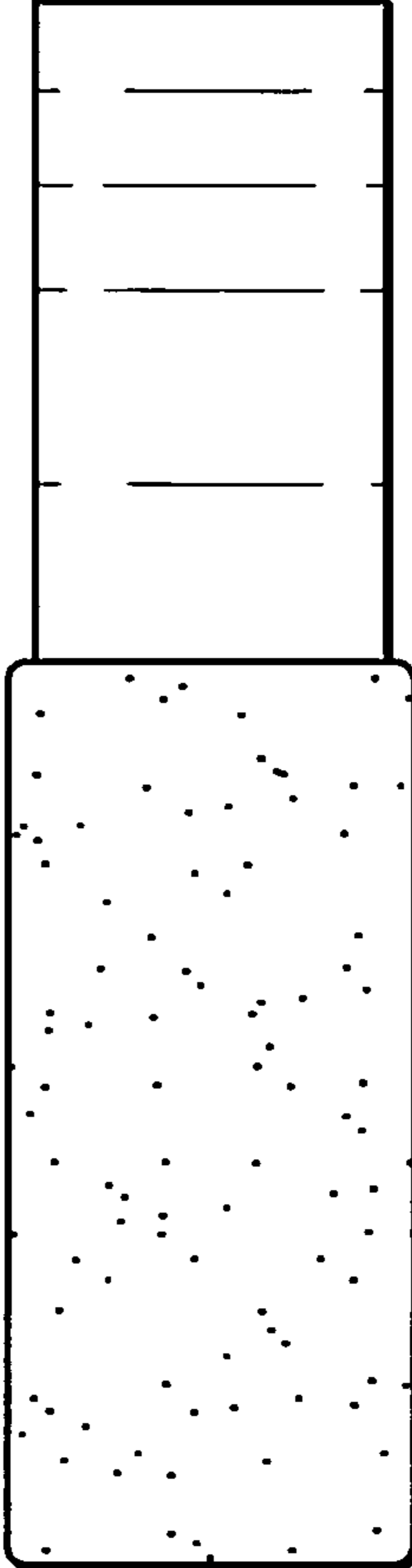
**FIG. 3**



**FIG. 4**



**FIG. 5**



**FIG. 6**