



US00D711621S

(12) **United States Design Patent**
Hatherell

(10) **Patent No.:** **US D711,621 S**

(45) **Date of Patent:** **** Aug. 26, 2014**

(54) **BEVERAGE CARBONATION TABLET**

(71) Applicant: **Darren Hatherell**, Toronto (CA)

(72) Inventor: **Darren Hatherell**, Toronto (CA)

(73) Assignee: **Bonne O Inc.**, Toronto, Ontario (CA)

(**) Term: **14 Years**

(21) Appl. No.: **29/469,588**

(22) Filed: **Oct. 11, 2013**

(51) **LOC (10) Cl.** **01-01**

(52) **U.S. Cl.**

USPC **D1/130**; D24/103

(58) **Field of Classification Search**

USPC D1/100-130, 199; 426/5, 76, 87, 92,
426/94, 95, 99, 101, 103, 108, 138-139,
426/143, 144, 279, 282, 283, 391, 514, 549,
426/660; D13/100; D24/101, 104; D28/8.1;
424/467

See application file for complete search history.

(56) **References Cited**

U.S. PATENT DOCUMENTS

2,851,361	A	9/1958	Diller	
D201,497	S *	6/1965	Ninger	D24/103
D224,591	S *	8/1972	Roberts	D24/103
D225,992	S *	1/1973	Langauer	D24/103
3,723,614	A *	3/1973	Langauer	424/467
D229,049	S *	11/1973	Roberts	D24/103
4,215,104	A	7/1980	Ullman et al.	
D260,477	S *	9/1981	Jones	D8/98
D298,061	S *	10/1988	Flury et al.	D24/103
D440,650	S *	4/2001	Hite et al.	D24/103
D535,390	S *	1/2007	Stawski et al.	D24/101
D586,397	S *	2/2009	Farnworth et al.	D19/53
D613,031	S *	4/2010	Pawlowski et al.	D1/130
D619,240	S *	7/2010	Swagler et al.	D24/101
D626,214	S *	10/2010	Spengler	D24/103
D641,863	S *	7/2011	Spengler	D24/103
D641,864	S *	7/2011	Spengler	D24/103

D672,029	S *	12/2012	Inoue	D24/103
2004/0245279	A1	12/2004	Bradley et al.	
2010/0034889	A1	2/2010	Rau et al.	
2011/0226343	A1	9/2011	Novak et al.	
2011/0244040	A1	10/2011	Ono et al.	
2012/0082769	A1	4/2012	Singh	

FOREIGN PATENT DOCUMENTS

EP	2341008	B1	4/2013
WO	94/16579	A1	8/1994
WO	2004072351	A1	8/2004
WO	2009114119	A1	9/2009
WO	2014033705	A1	3/2014

OTHER PUBLICATIONS

Office Action; U.S. Appl. No. 29/484,536; mailed Jul. 1, 2014.

* cited by examiner

Primary Examiner — Deanna L Pratt

Assistant Examiner — Katie Mroczka

(74) *Attorney, Agent, or Firm* — Bereskin & Parr LLP/
S.E.N.C.R.L., s.r.l.

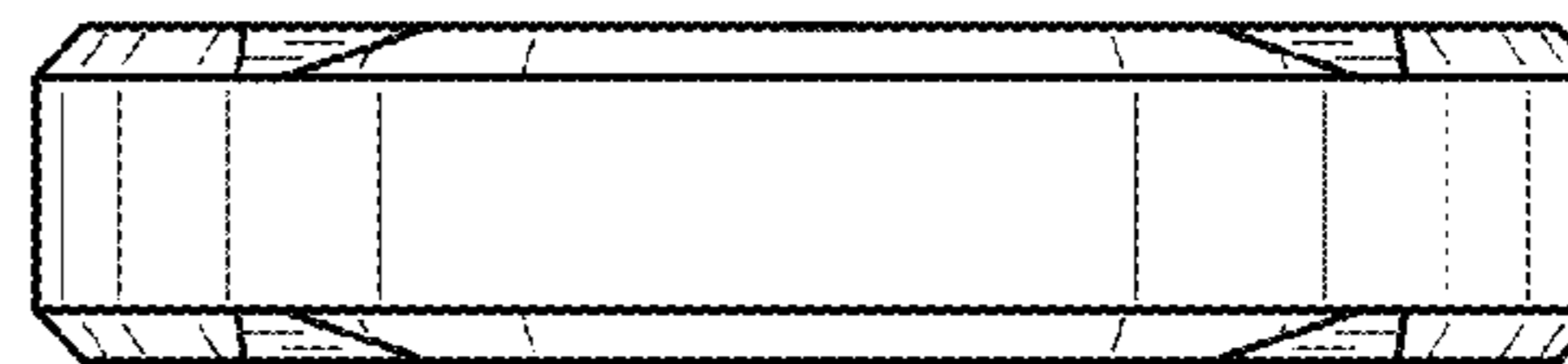
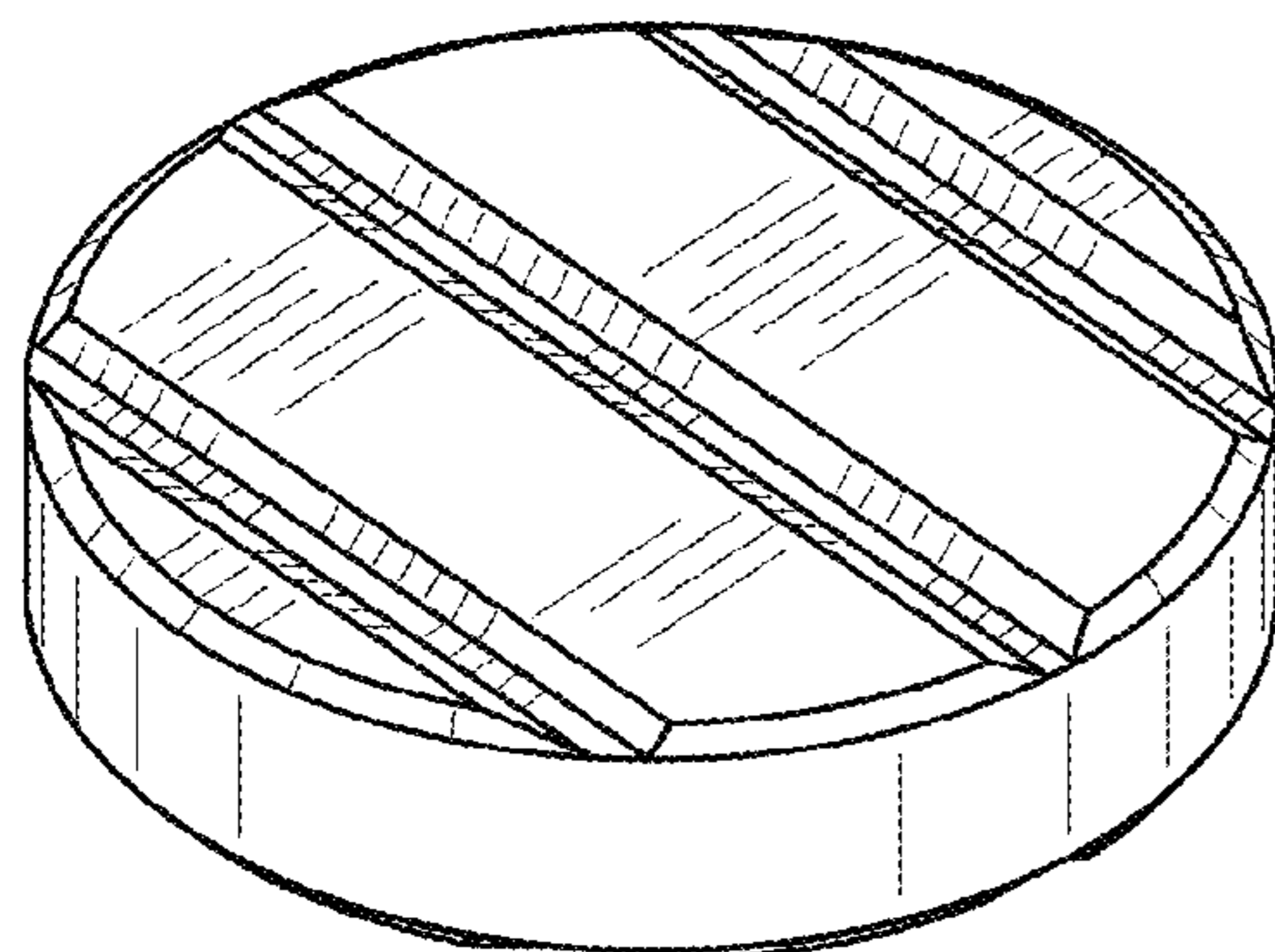
(57) **CLAIM**

The ornamental design for a beverage carbonation tablet, as shown.

DESCRIPTION

FIG. 1 is a perspective view from the top, front and one side of a beverage carbonation tablet showing my new design; FIG. 2 is a side elevation view of the beverage carbonation tablet shown in FIG. 1; FIG. 3 is a front elevation view of the beverage carbonation tablet shown in FIG. 1; FIG. 4 is a top plan view of the beverage carbonation tablet shown in FIG. 1; and, FIG. 5 is a bottom plan view of the beverage carbonation tablet shown in FIG. 1.

1 Claim, 1 Drawing Sheet



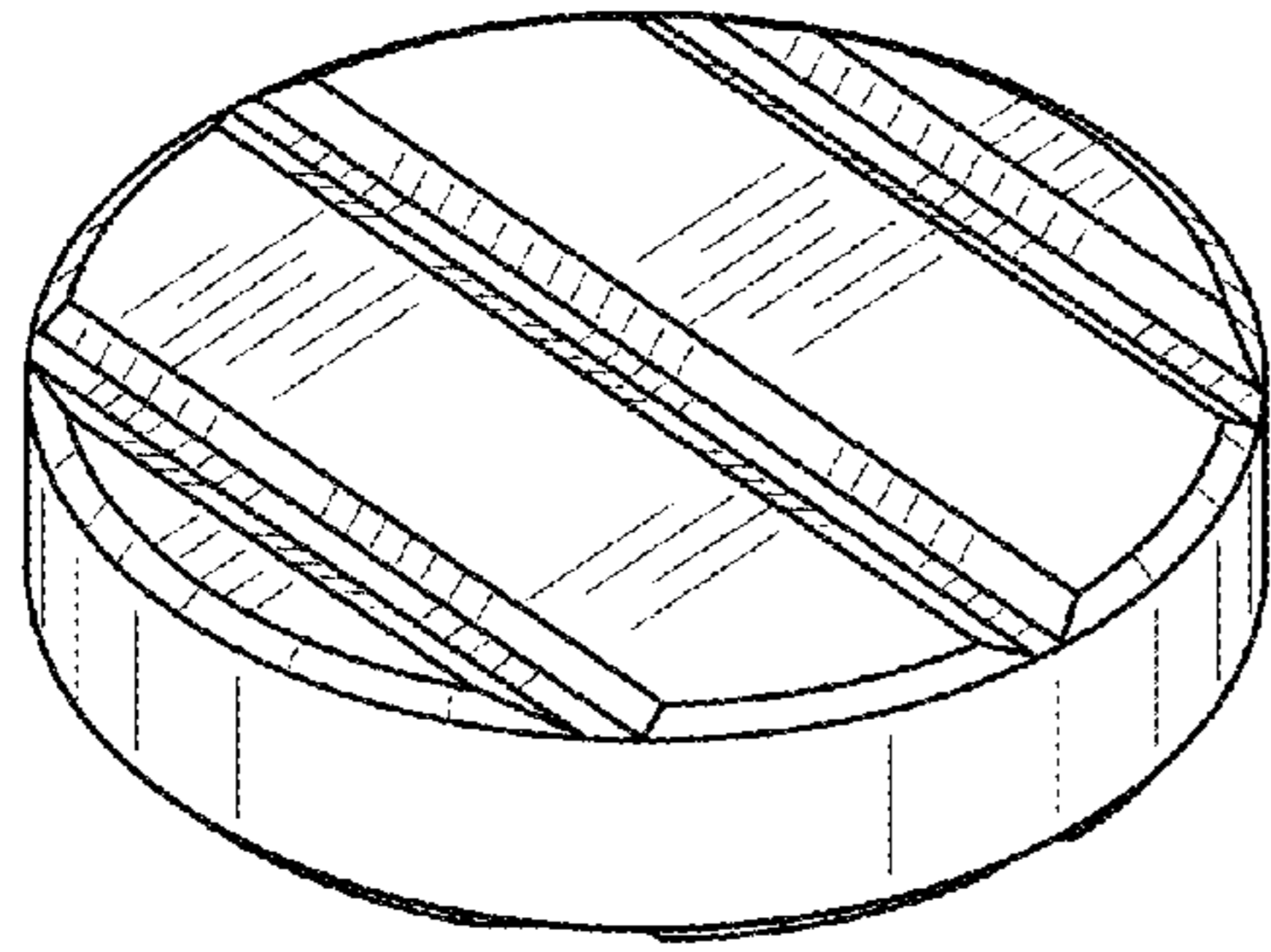


FIG. 1

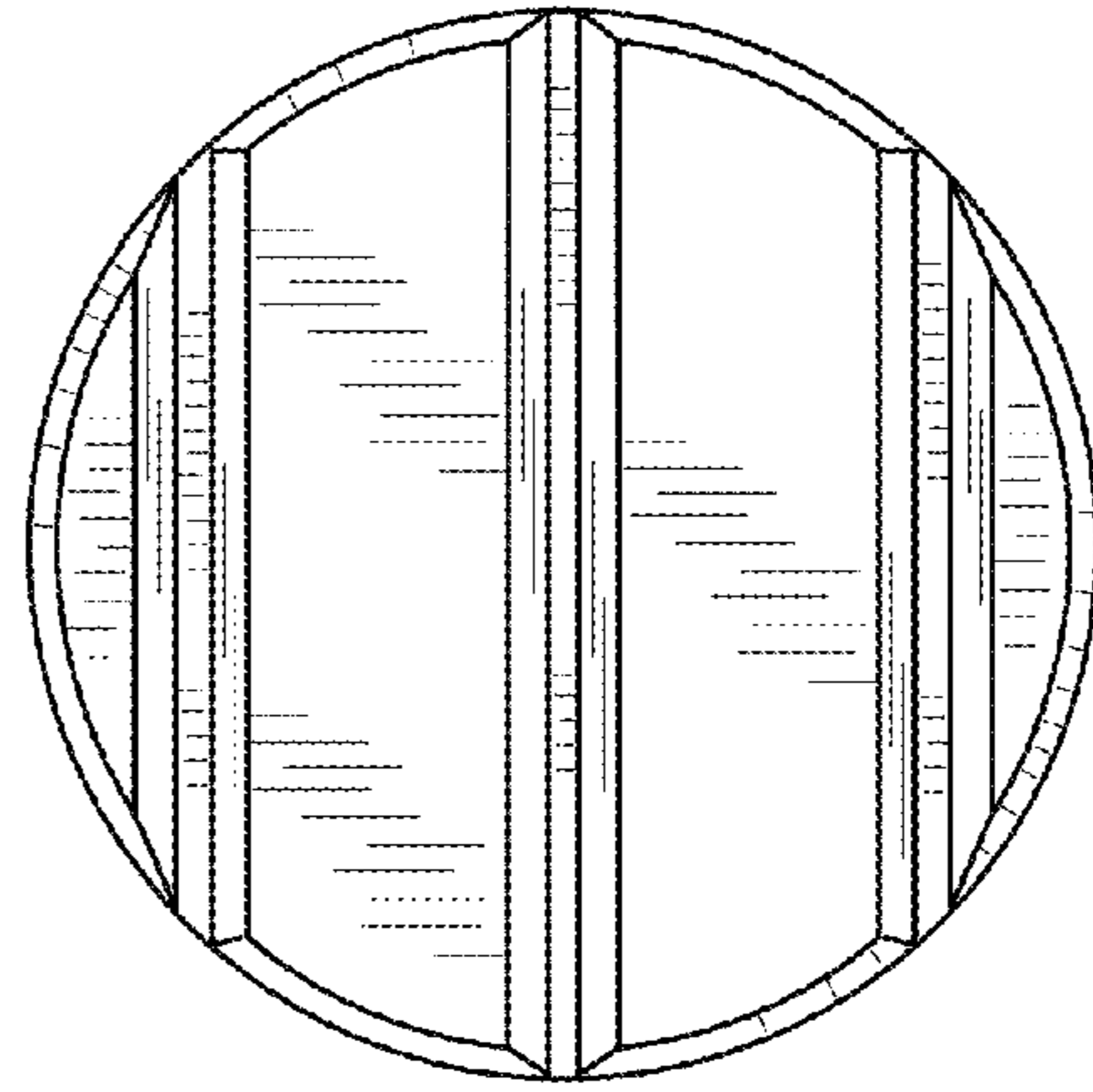


FIG. 4



FIG. 2

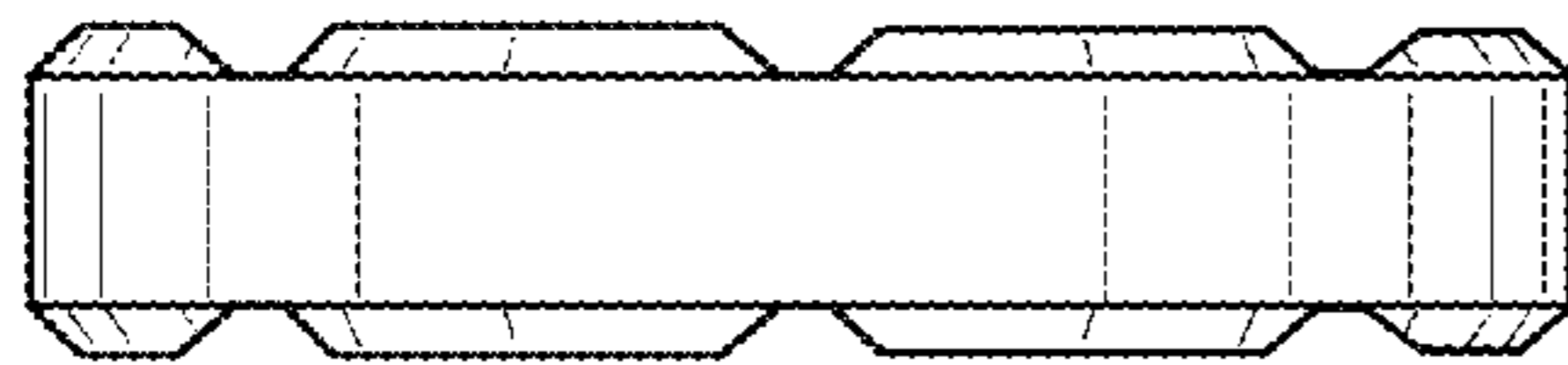


FIG. 3

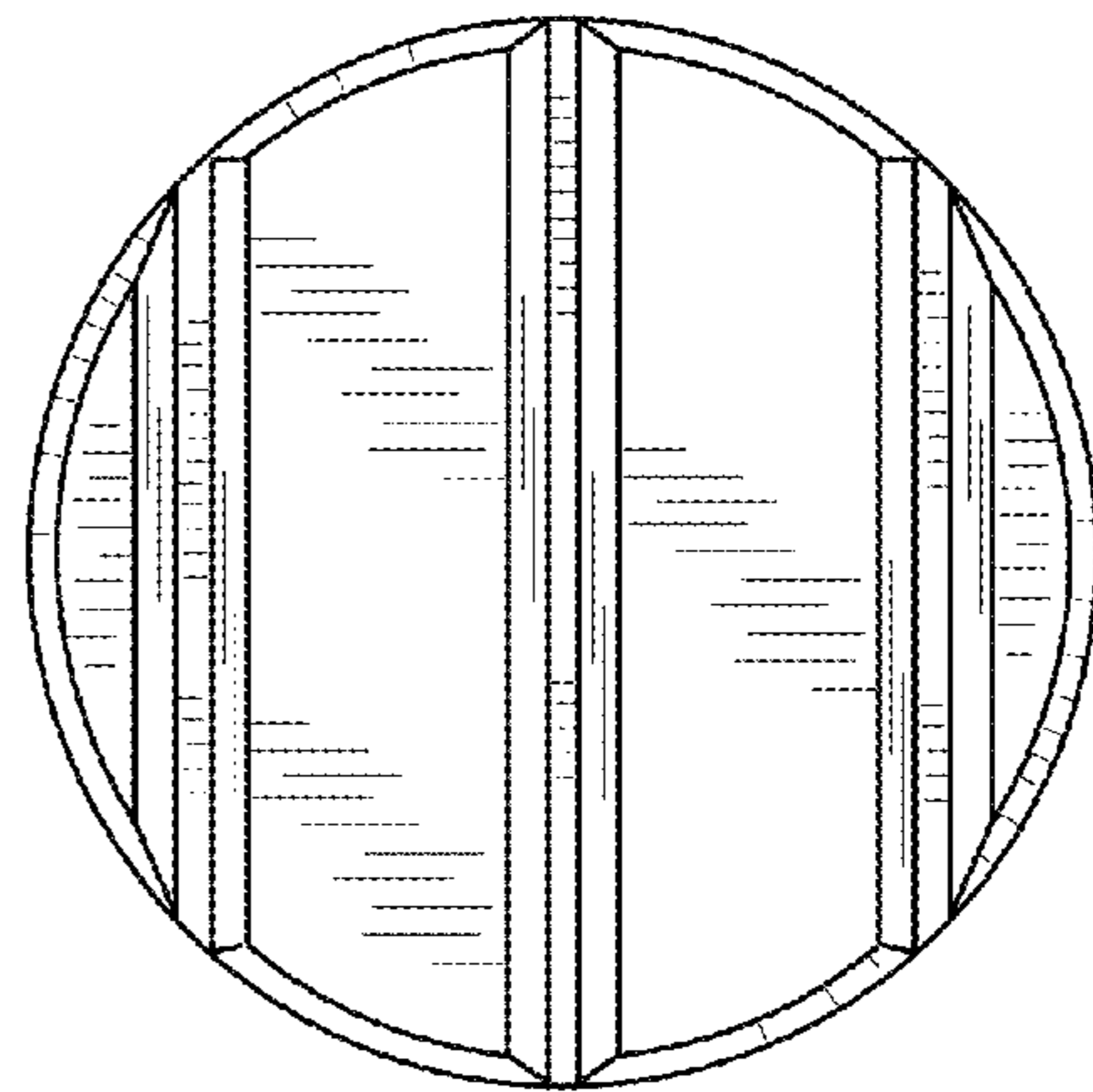


FIG. 5