



US00D711614S

(12) **United States Design Patent**
Shitrit

(10) **Patent No.:** **US D711,614 S**

(45) **Date of Patent:** **** Aug. 19, 2014**

(54) **TROLLEY**

(71) Applicant: **The Stanley Works Israel Ltd.**, Rosh Ha' Ayin (IL)

(72) Inventor: **Elad Hay Shitrit**, Tel Aviv (IL)

(73) Assignee: **The Stanley Works Israel, Ltd.**, Rosh Ha' Ayin (IL)

(**) Term: **14 Years**

(21) Appl. No.: **29/460,616**

(22) Filed: **Jul. 12, 2013**

(30) **Foreign Application Priority Data**

Jan. 30, 2013 (EM) 001359111

(51) **LOC (10) Cl.** **12-02**

(52) **U.S. Cl.**
USPC **D34/23**

(58) **Field of Classification Search**
CPC B62B 3/02
USPC D34/12-27; 280/47.34, 47.35, 79.11,
280/47.42, 79.5, 79.3, 79.6, 651

See application file for complete search history.

(56) **References Cited**

U.S. PATENT DOCUMENTS

4,203,609	A *	5/1980	Mitchell et al.	280/47.11
4,796,909	A *	1/1989	Kirkendall	280/651
4,887,836	A *	12/1989	Simjian	280/651
5,180,178	A *	1/1993	Caceres	280/47.34
D370,757	S *	6/1996	Loftus et al.	D34/23
D600,873	S *	9/2009	Banasik et al.	D34/23
2014/0077468	A1 *	3/2014	Arnold	280/38

* cited by examiner

Primary Examiner — Cynthia Ramirez

(74) *Attorney, Agent, or Firm* — Gabriel Haboubi

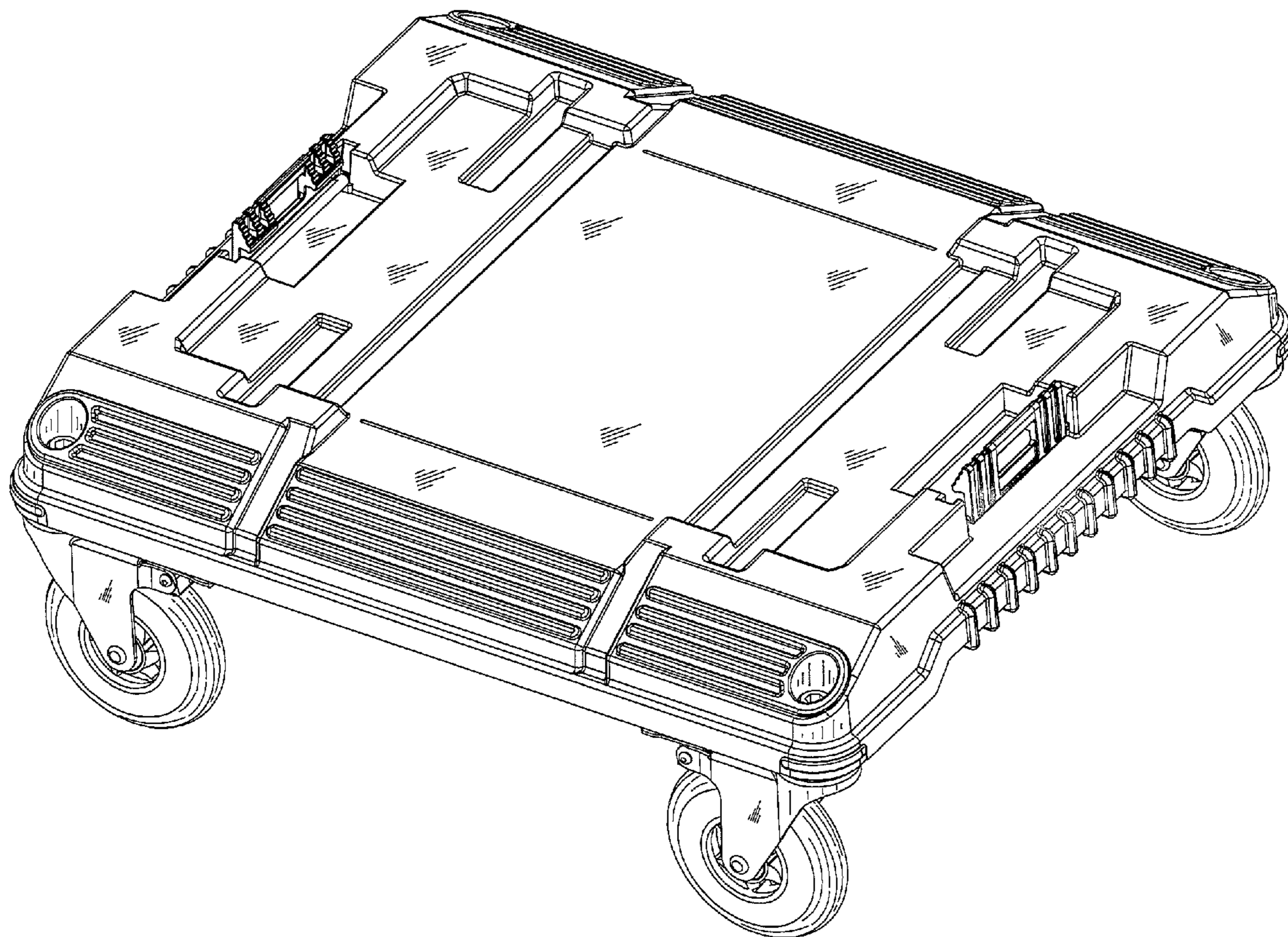
(57) **CLAIM**

The ornamental design for a trolley, as shown and described.

DESCRIPTION

FIG. 1 is a right front perspective view of my new design.
FIG. 2 is a front view thereof.
FIG. 3 is a rear view thereof.
FIG. 4 is a left side view thereof.
FIG. 5 is a right side view thereof.
FIG. 6 is a top view thereof; and,
FIG. 7 is a bottom view thereof.

1 Claim, 5 Drawing Sheets



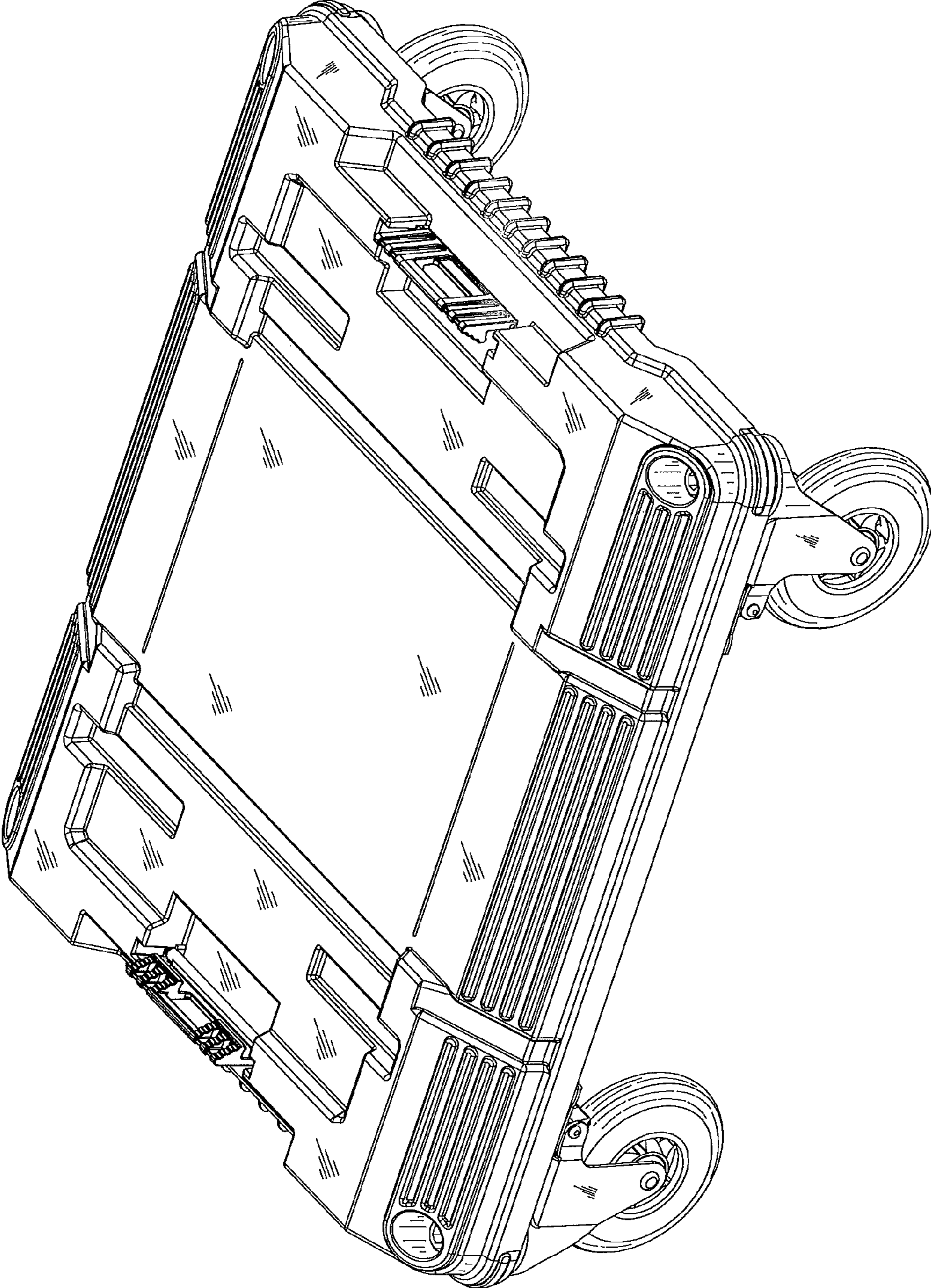


FIG.1

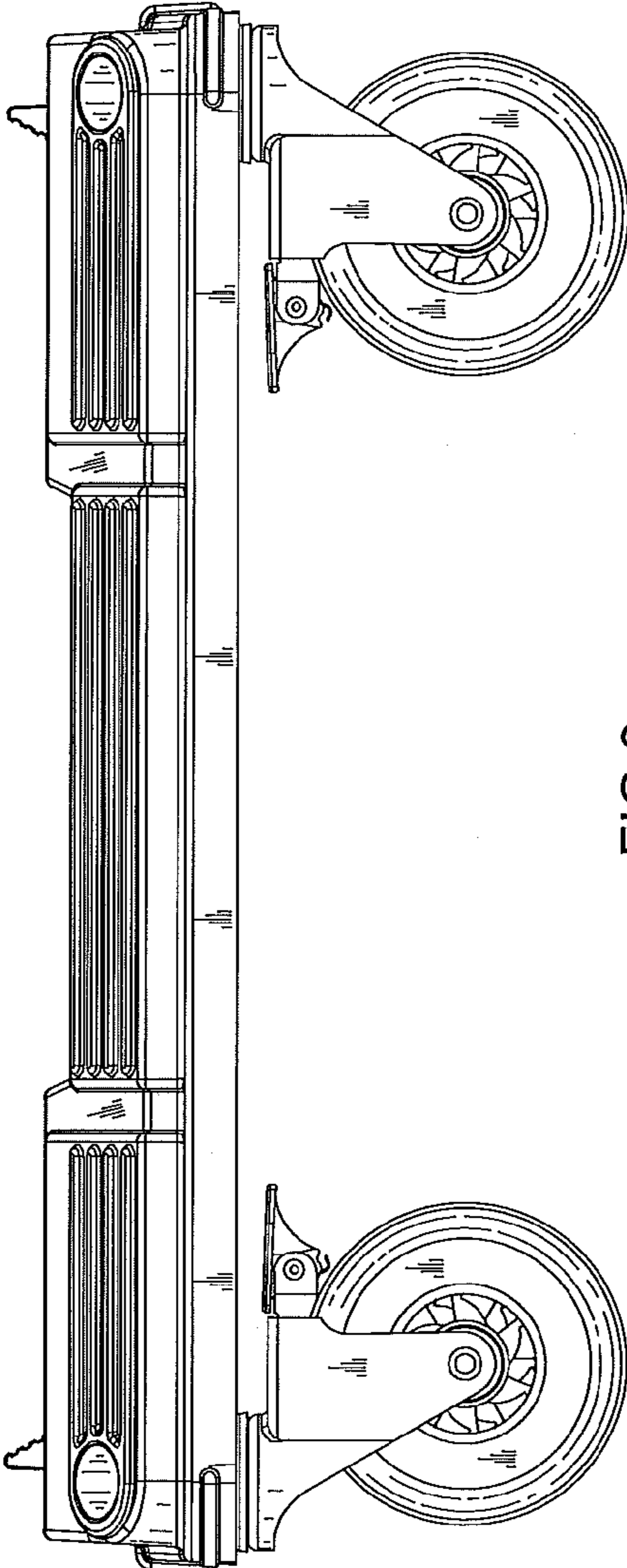


FIG. 2

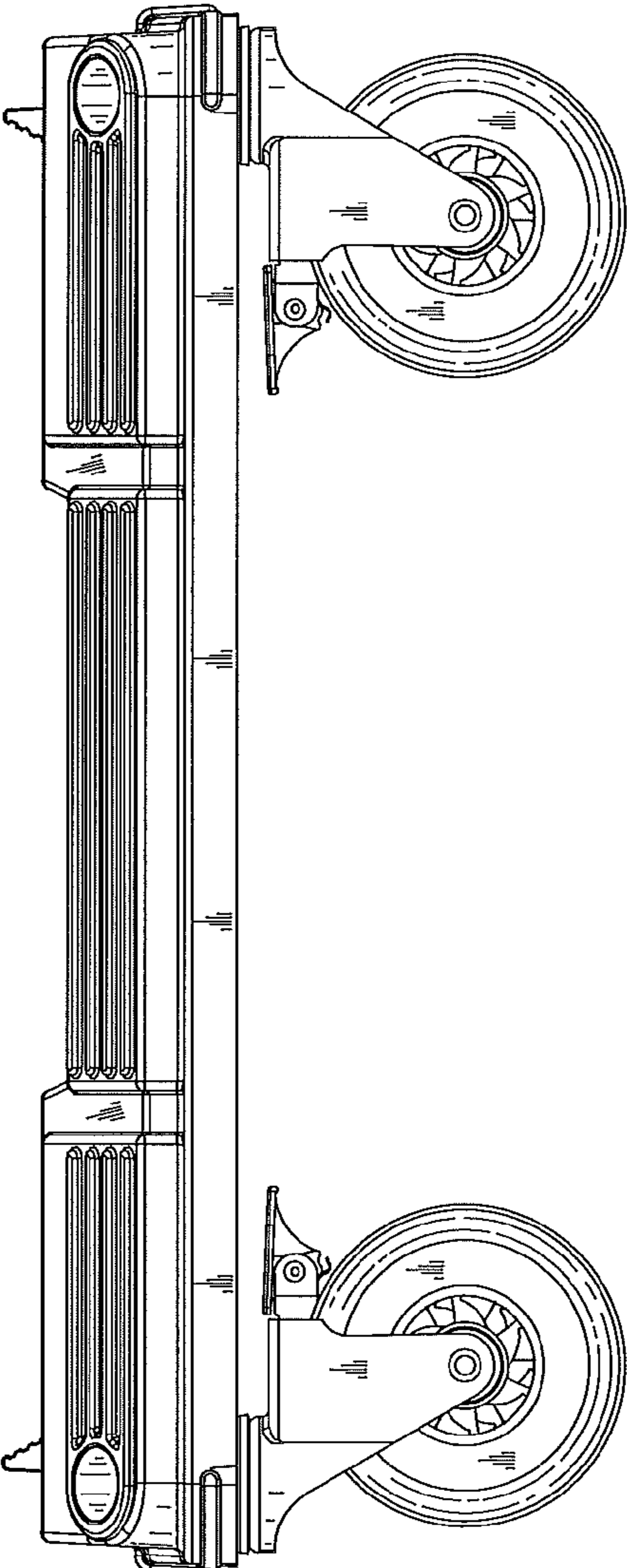


FIG. 3

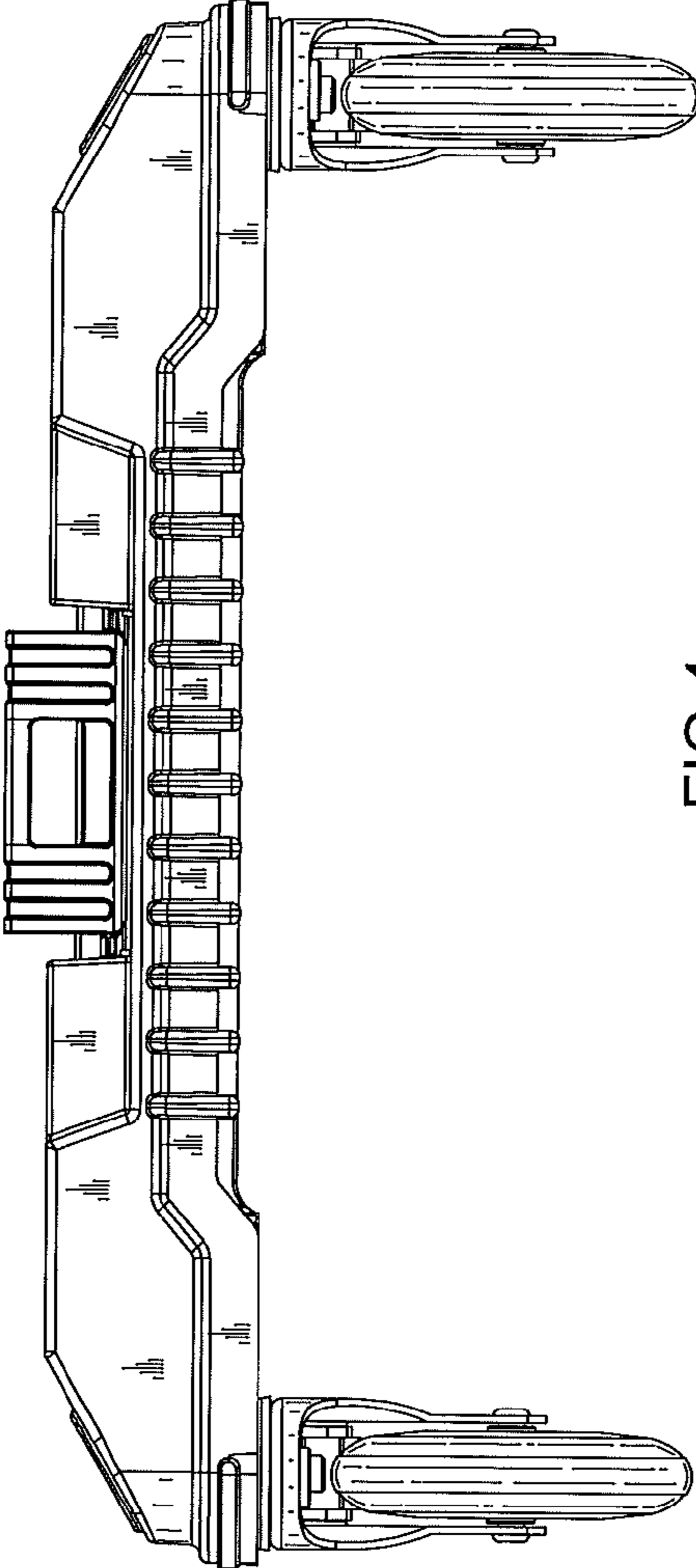


FIG.4

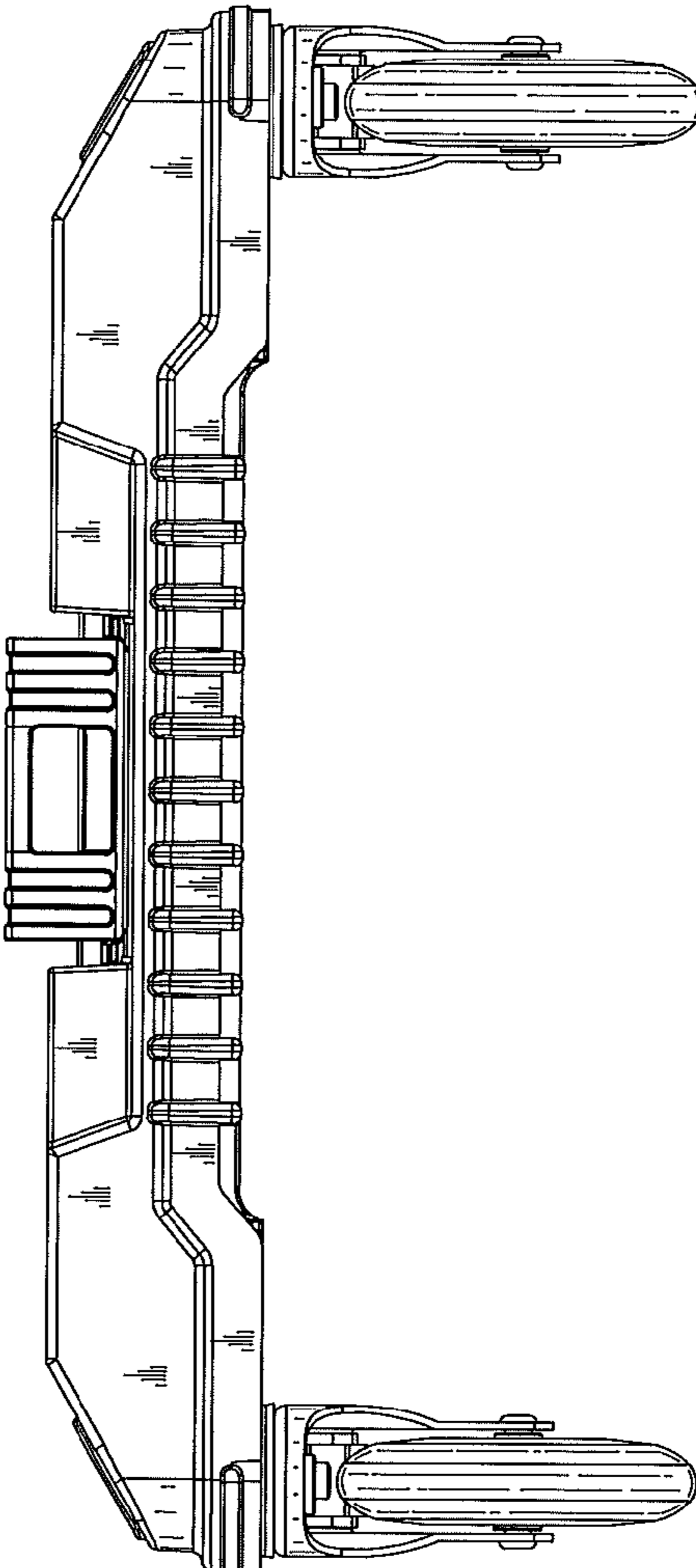


FIG.5

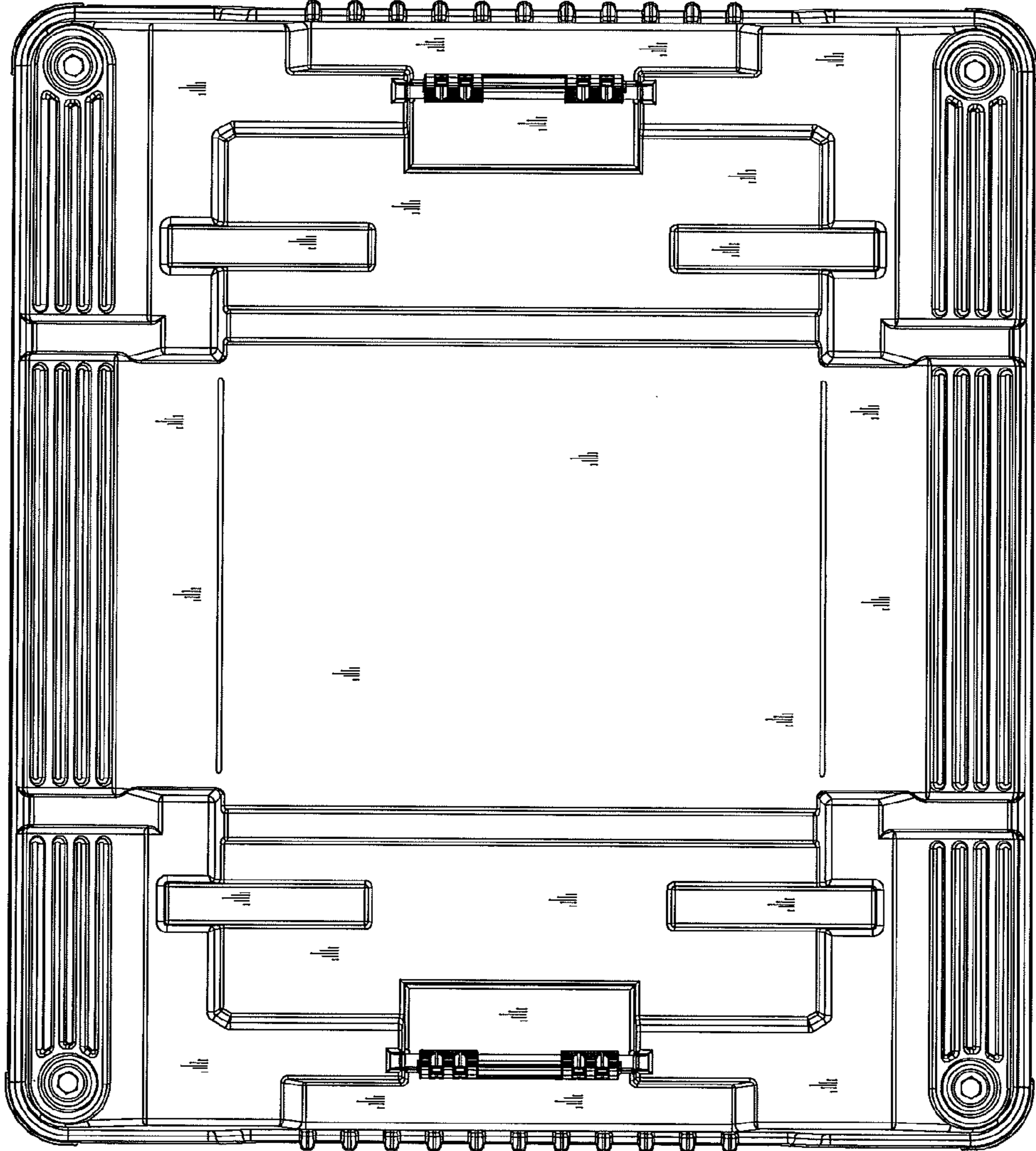


FIG.6

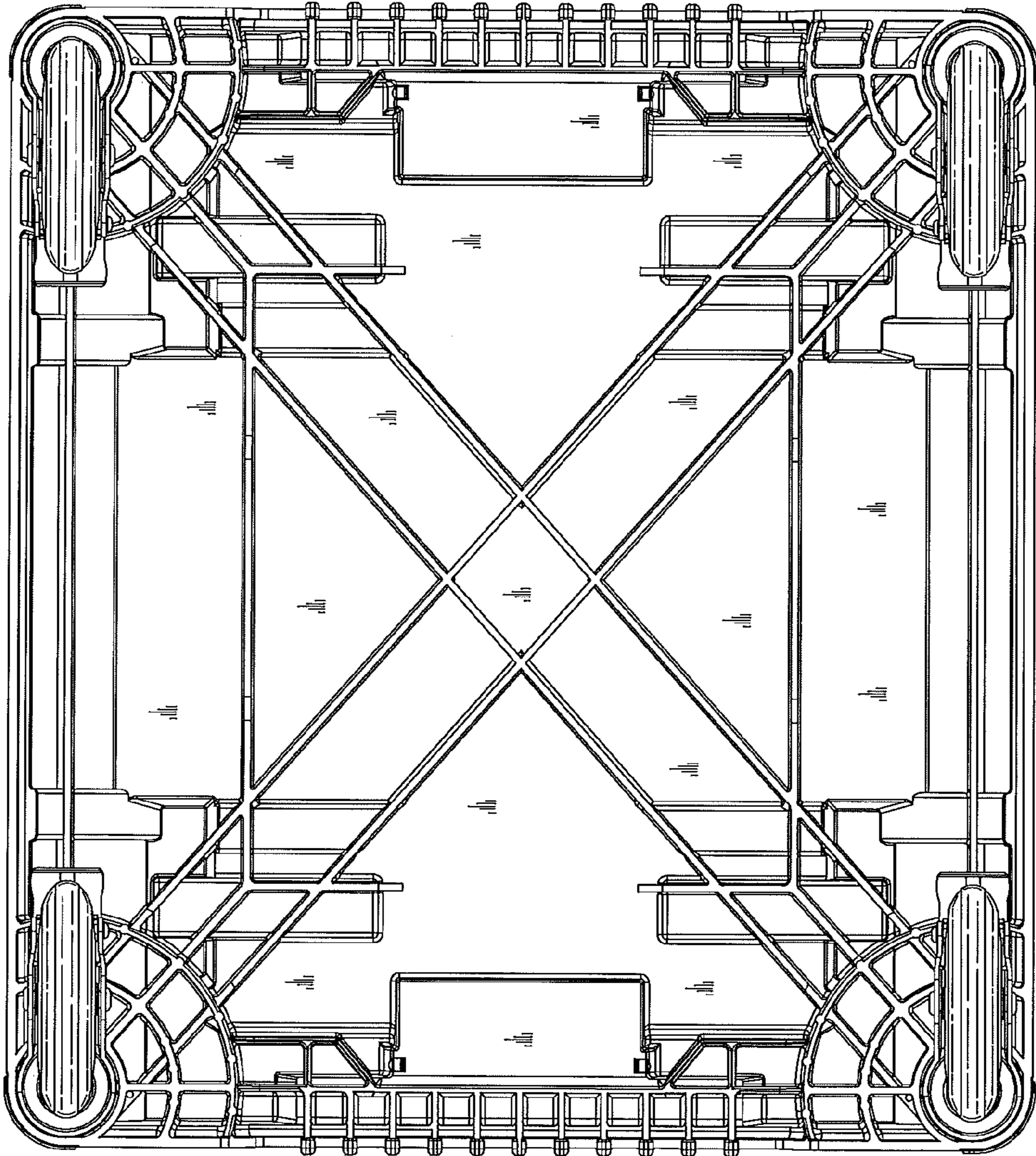


FIG.7