



US00D711608S

(12) **United States Design Patent**
O'Shaughnessy et al.

(10) **Patent No.:** **US D711,608 S**

(45) **Date of Patent:** **** Aug. 19, 2014**

(54) **VACUUM ATTACHMENT FOR COLLECTING SMALL PARTICLES**

8,221,620 B2 * 7/2012 Dietrich 210/167.17
2008/0313847 A1 * 12/2008 Shih 15/347
2009/0301955 A1 * 12/2009 Gopalan 210/167.17

(71) Applicants: **Erin Claire O'Shaughnessy**, Denver, CO (US); **Lacey Hannah Rifkin**, Greenwood Village, CO (US)

* cited by examiner

(72) Inventors: **Erin Claire O'Shaughnessy**, Denver, CO (US); **Lacey Hannah Rifkin**, Greenwood Village, CO (US)

Primary Examiner — Ruth McInroy

(74) *Attorney, Agent, or Firm* — The Reilly Intellectual Property Law Firm, P.C.

(**) Term: **14 Years**

(57) **CLAIM**

The ornamental design for a vacuum attachment for collecting small particles, as shown and described.

(21) Appl. No.: **29/454,799**

(22) Filed: **May 14, 2013**

(51) **LOC (10) Cl.** **15-05**

(52) **U.S. Cl.**
USPC **D32/32**

(58) **Field of Classification Search**
USPC D32/30-33, 17, 22; 15/415.1-422, 1, 15/414, 320, 322, 405, 410, 353, 400, 333, 15/334, 335, 350, 327.1-327.7, 354-355, 15/357, 1.7, 347; 210/167.17
See application file for complete search history.

DESCRIPTION

FIG. 1 is a perspective view of a vacuum attachment for collecting small particles showing our new design; FIG. 2 is an exploded perspective view thereof with broken lines indicating a vacuum hose; FIG. 3 is a side view of the screen portion shown in FIG. 2; FIG. 4 is a bottom view of FIG. 3; FIG. 5 is a side view of FIG. 3; FIG. 6 is a side view of the opposite side of FIG. 3; FIG. 7 is a top view of FIG. 1; FIG. 8 is a side view of the attachment portion in FIG. 2; FIG. 9 is a top view of FIG. 8; FIG. 10 is a side view of the opposite side of FIG. 8; and, FIG. 11 is a bottom view of FIG. 8.

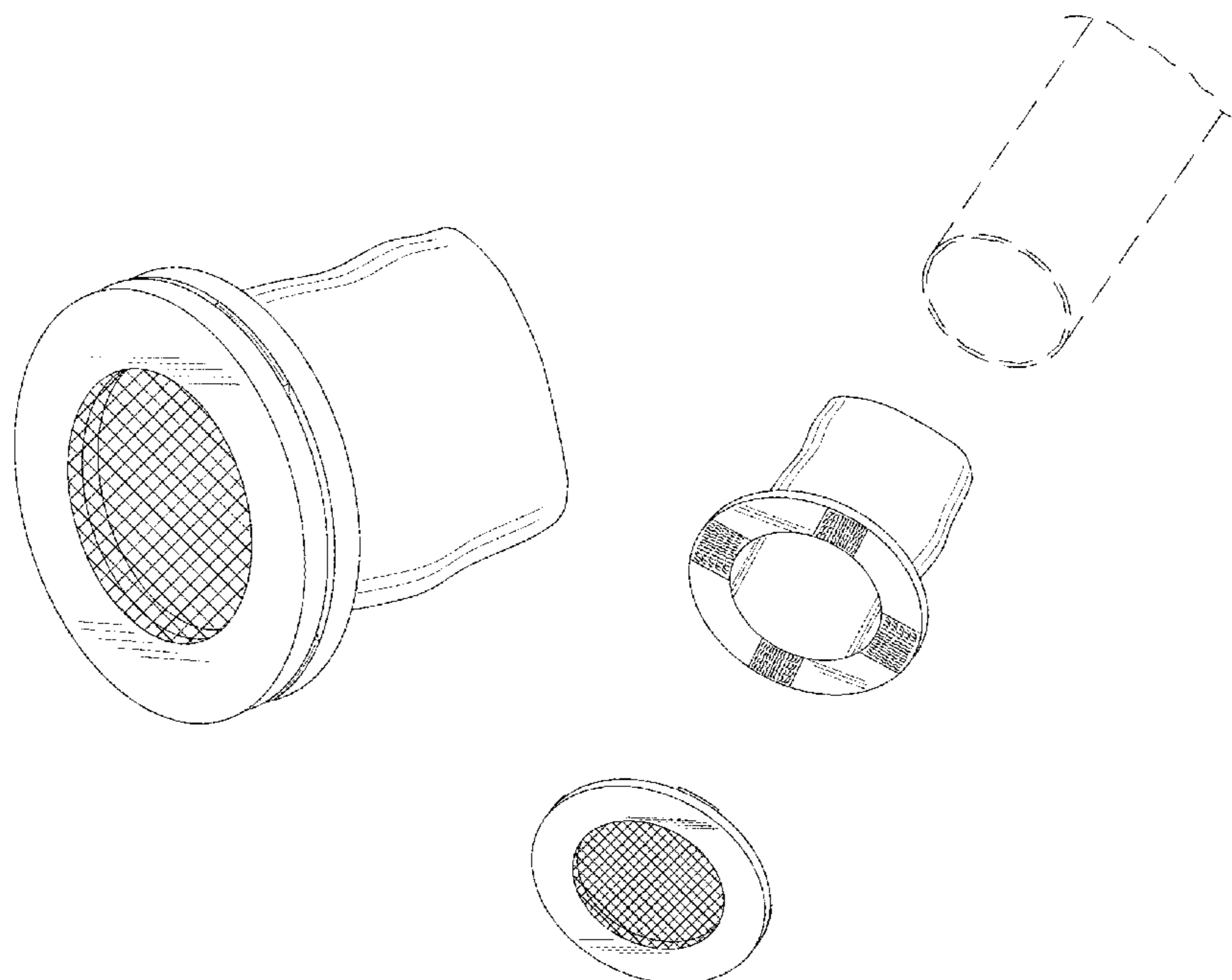
The broken lines used in FIG. 2 of the drawings disclosure are for illustrative purposes only and form no part of the claimed design.

(56) **References Cited**

U.S. PATENT DOCUMENTS

4,240,173 A * 12/1980 Sherrill 15/1.7
4,780,986 A 11/1988 Broomfield et al.
D379,693 S * 6/1997 Campbell et al. D32/30
RE36,627 E * 3/2000 Pink et al. 15/347
6,044,521 A 4/2000 Sebek
7,328,473 B2 2/2008 Deklinski
7,979,957 B2 7/2011 Meyer

1 Claim, 3 Drawing Sheets



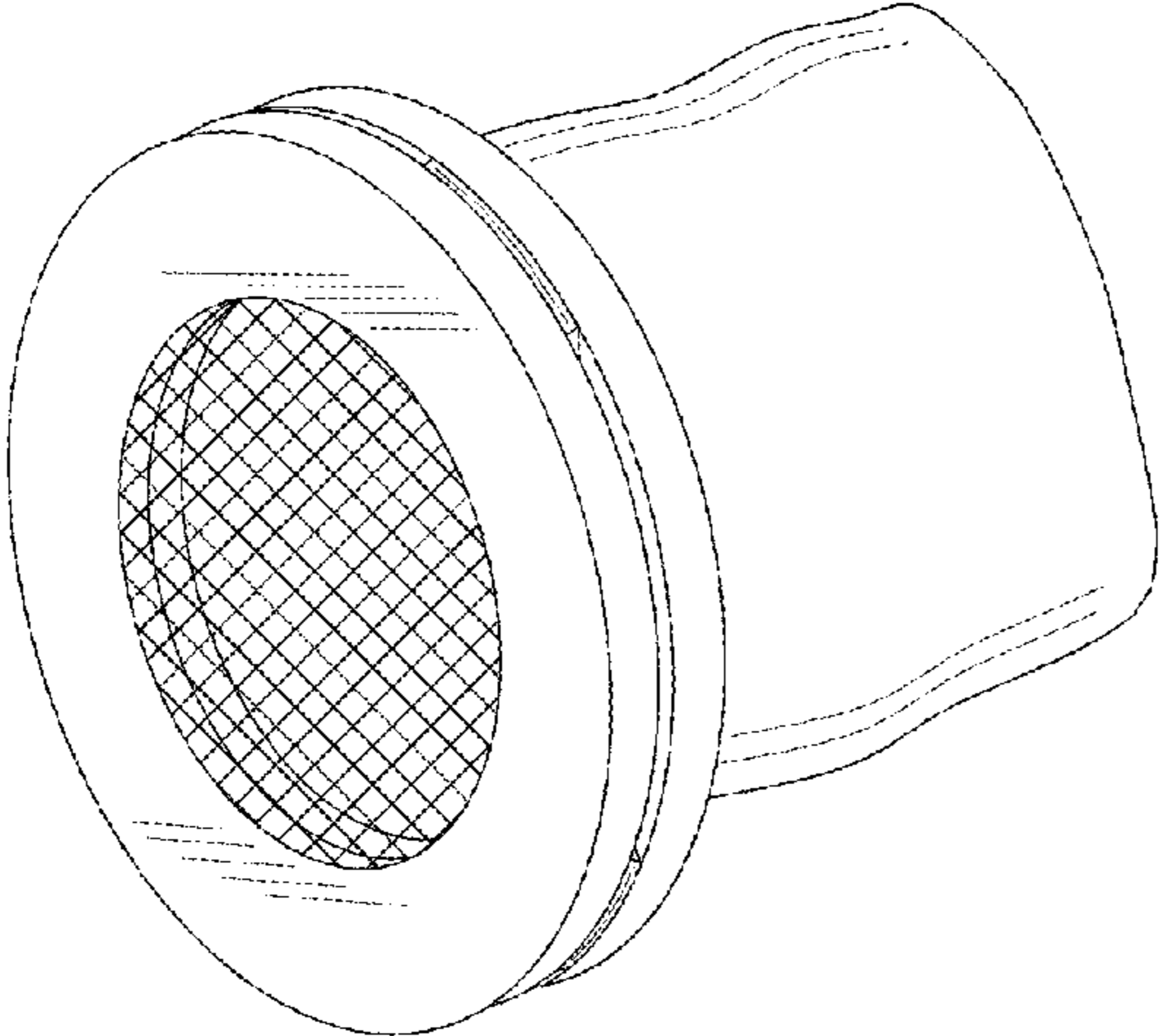


FIG.1

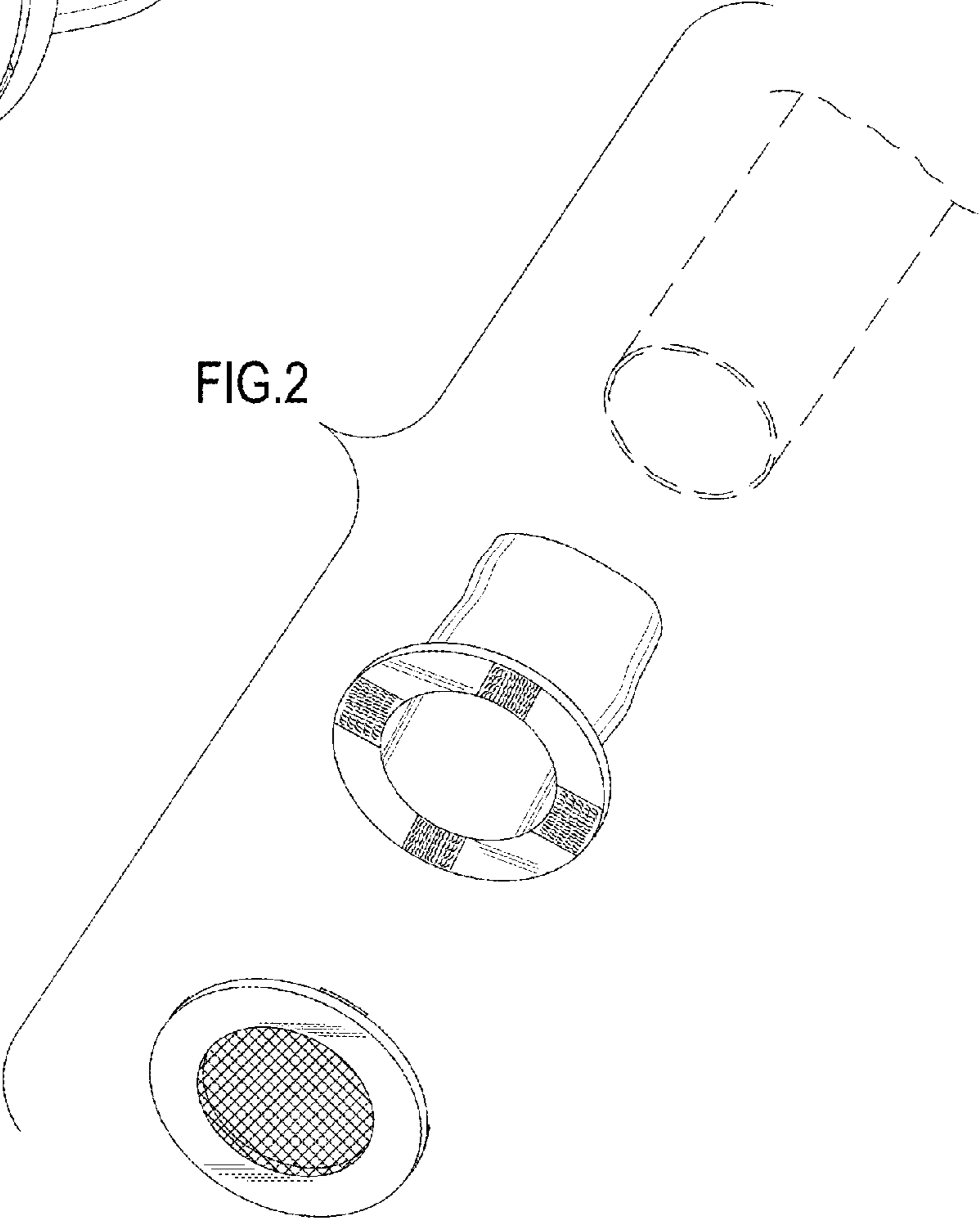


FIG.2

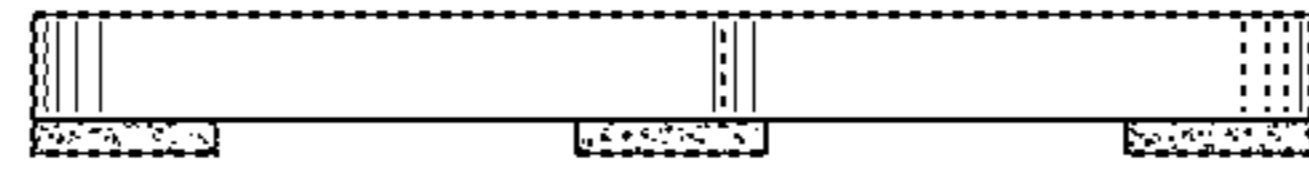


FIG.3

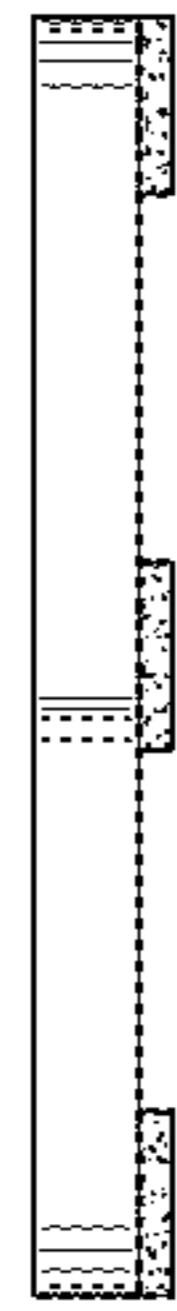


FIG.5

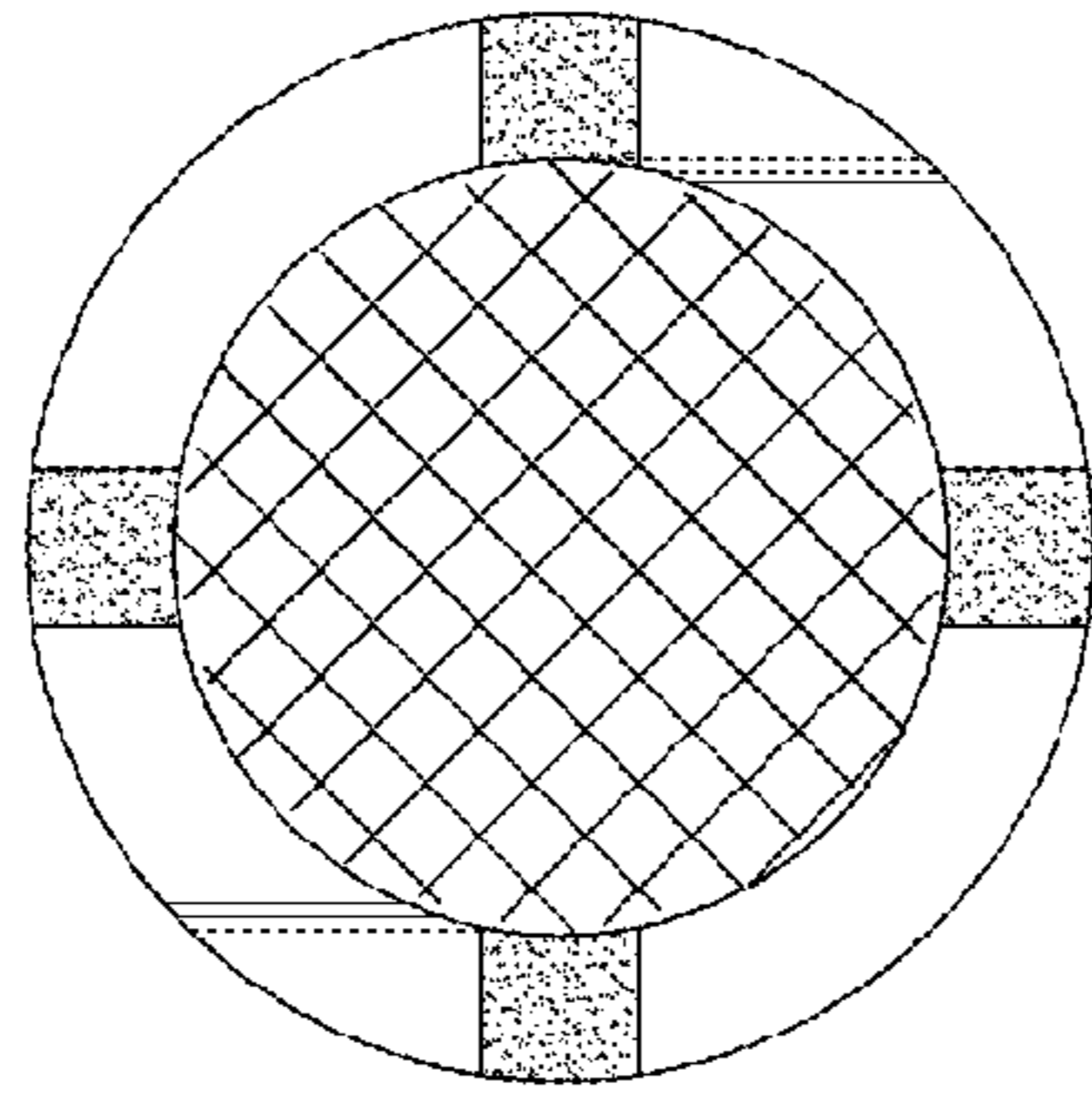


FIG.4

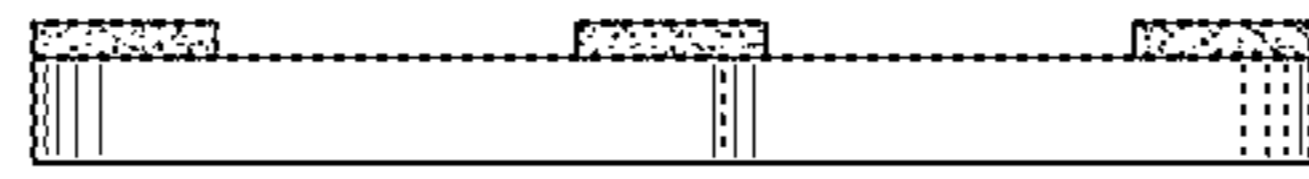


FIG.6

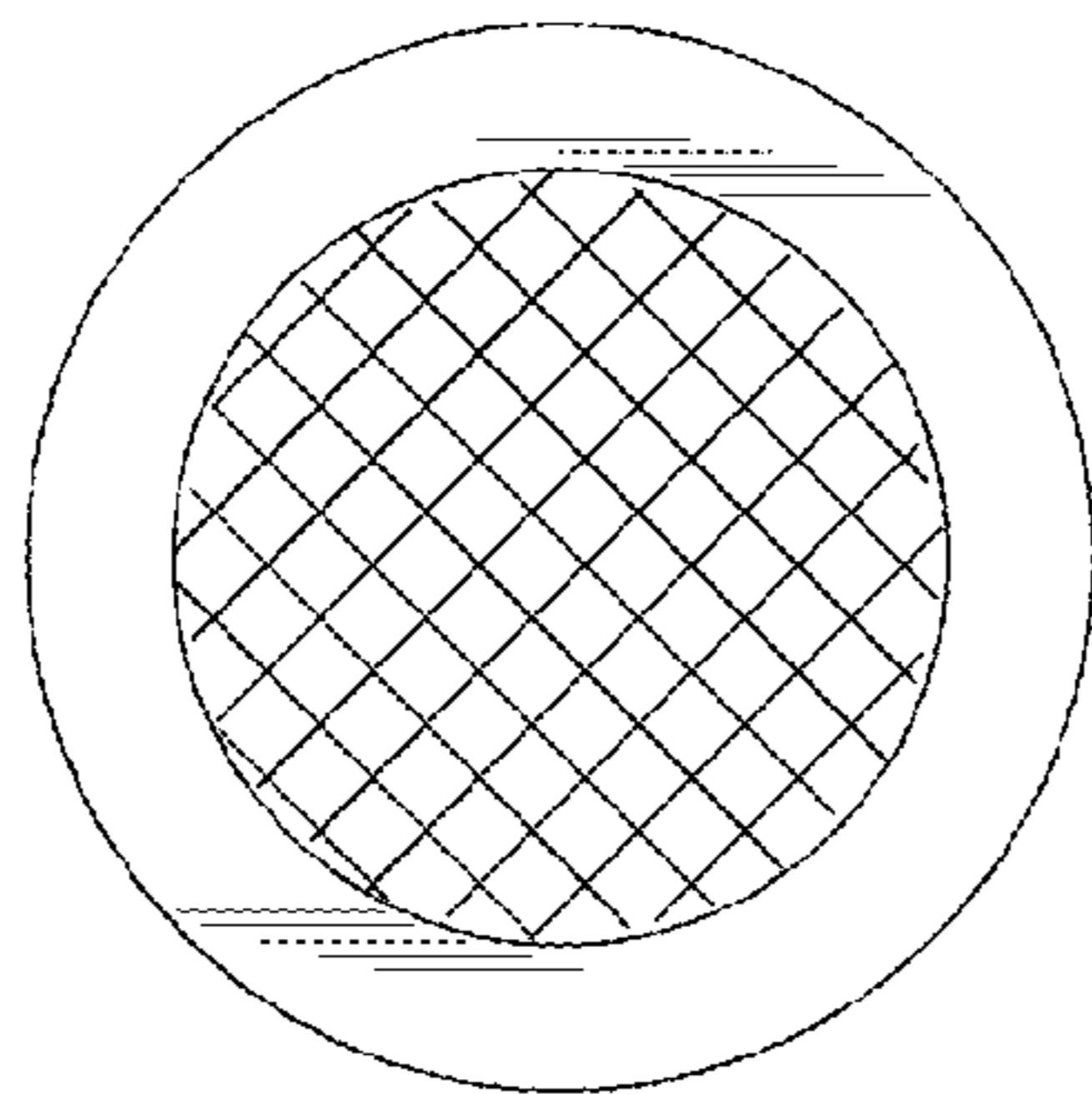


FIG.7

FIG.8

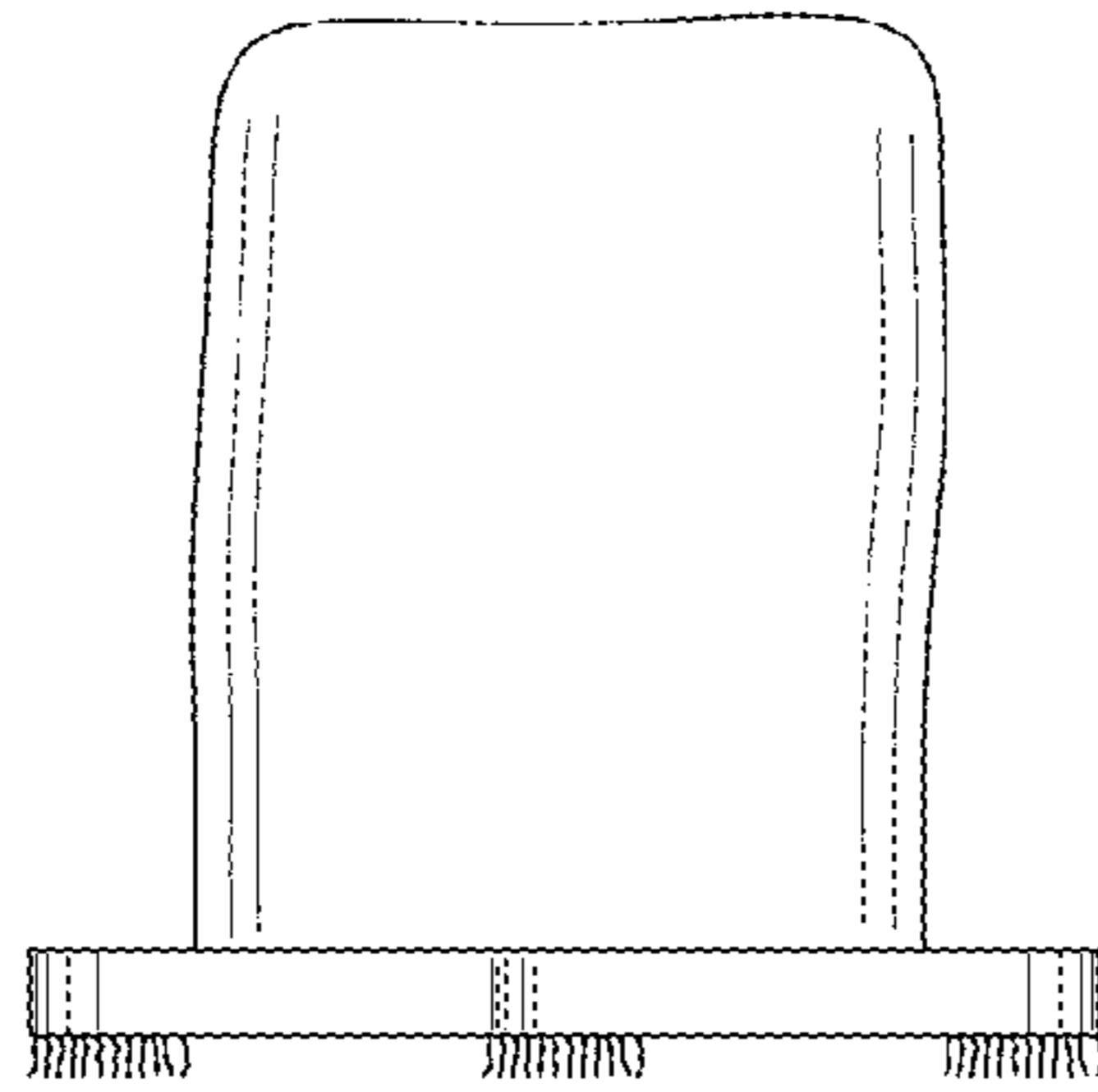


FIG.9

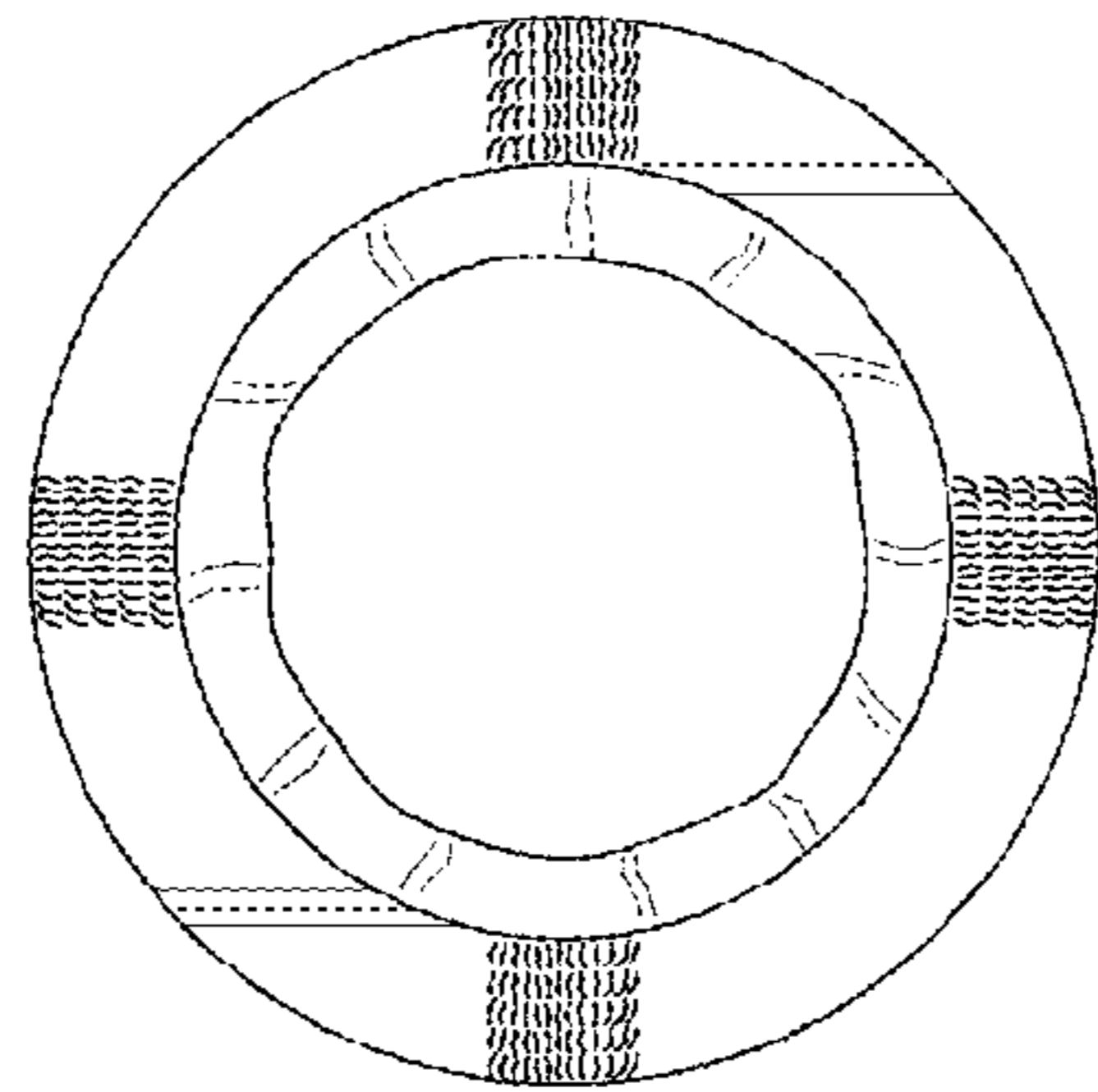


FIG.10

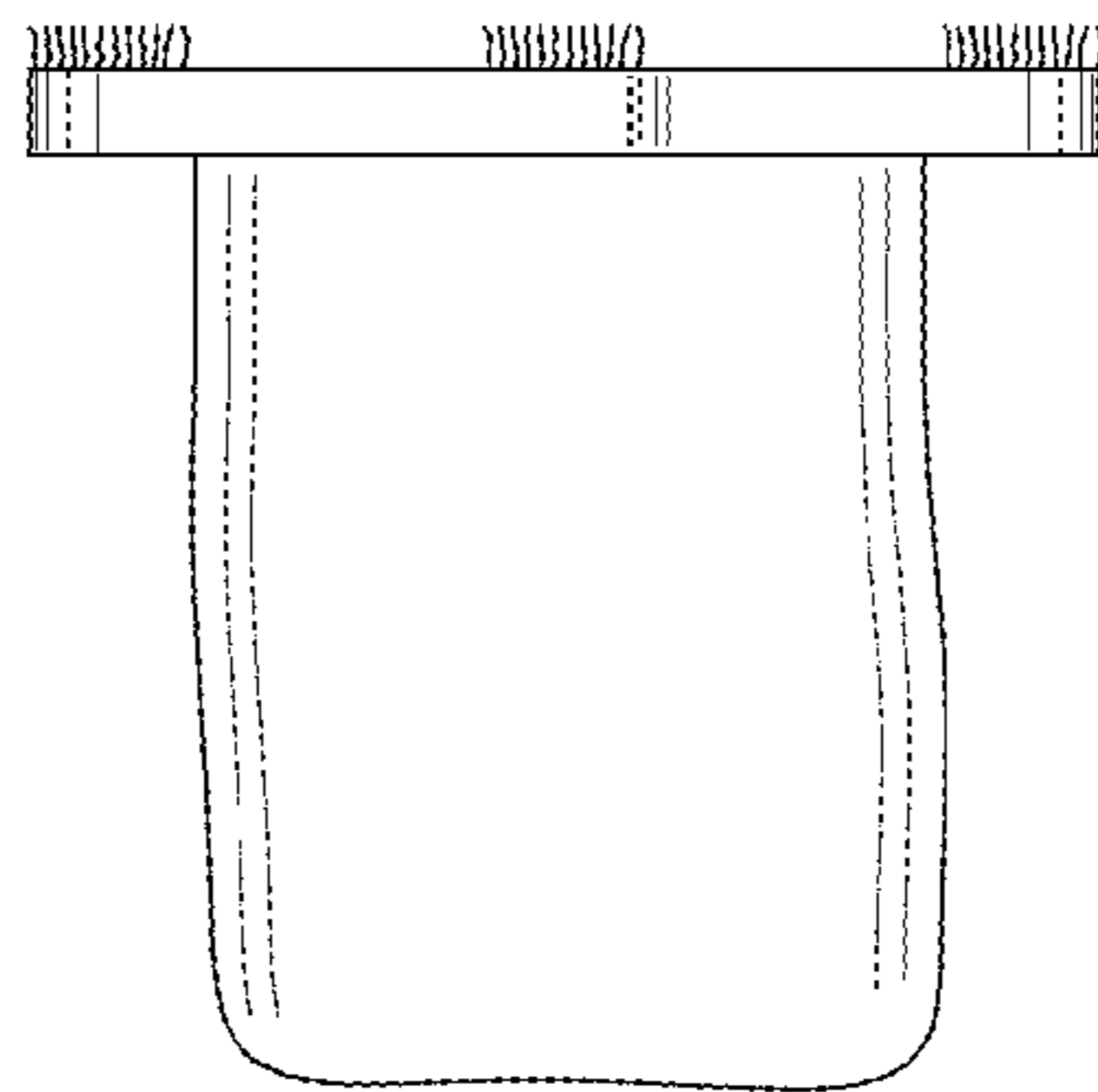


FIG.11

