



US00D711606S

(12) **United States Design Patent**  
**Jang et al.**

(10) **Patent No.:** **US D711,606 S**

(45) **Date of Patent:** **\*\* Aug. 19, 2014**

(54) **VACUUM CLEANER**

(71) Applicant: **Samsung Electronics Co., Ltd.**,  
Suwon-si (KR)

(72) Inventors: **Jae-Ho Jang**, Seoul (KR); **Dong-Won Chun**, Paju-Si (KR)

(73) Assignee: **Samsung Electronics Co., Ltd.**,  
Suwon-si (KR)

(\*\*) Term: **14 Years**

(21) Appl. No.: **29/454,382**

(22) Filed: **May 9, 2013**

(30) **Foreign Application Priority Data**

Nov. 30, 2012 (KR) ..... 30-2012-0057575

(51) **LOC (10) Cl.** ..... **15-05**

(52) **U.S. Cl.**  
USPC ..... **D32/31**

(58) **Field of Classification Search**  
USPC ..... D32/21, 23-24, 31; 15/327.1-327.7,  
15/352, 353, 321, 347, 329; 55/429,  
55/DIG. 3, 337; D12/204, 207, 209, 13,  
D12/215; D21/563; 301/37.101; 16/45  
See application file for complete search history.

(56) **References Cited**

**U.S. PATENT DOCUMENTS**

1,488,824	A	*	4/1924	Millet	.....	16/45
D175,261	S	*	8/1955	Kawsky	.....	D12/212
D185,010	S	*	4/1959	Lyon	.....	D12/212
3,997,938	A	*	12/1976	Pinaire et al.	.....	16/45
4,067,083	A	*	1/1978	Greene	.....	16/45
D303,648	S	*	9/1989	Clark	.....	D12/204
D358,690	S	*	5/1995	Hohulin	.....	D32/31
D399,617	S	*	10/1998	Fujita	.....	D32/21
D405,568	S	*	2/1999	Mehaffey et al.	.....	D32/31
D417,047	S	*	11/1999	Tsuda	.....	D32/21
D443,738	S	*	6/2001	Makihara et al.	.....	D32/21

D454,994	S	*	3/2002	Harada et al.	.....	D32/21
D480,039	S	*	9/2003	Williams	.....	D12/213
D481,181	S	*	10/2003	Lath et al.	.....	D32/31
D544,156	S	*	6/2007	Dyson et al.	.....	D32/25
D563,065	S	*	2/2008	Yoon	.....	D32/31
D563,066	S	*	2/2008	Shevlin	.....	D32/31
D573,077	S	*	7/2008	Addink	.....	D12/204
D588,762	S	*	3/2009	Dyson et al.	.....	D32/31
D613,470	S	*	4/2010	Svantesson	.....	D32/31
D614,368	S	*	4/2010	Svantesson et al.	.....	D32/31
D670,460	S	*	11/2012	Mastio et al.	.....	D32/21
D677,028	S	*	2/2013	Dyson et al.	.....	D32/31
8,528,160	B2	*	9/2013	Conrad	.....	15/327.2
2006/0032015	A1	*	2/2006	Wyman	.....	16/45
2008/0092329	A1	*	4/2008	Chou	.....	16/45
2010/0199458	A1	*	8/2010	Yan	.....	16/45
2011/0067202	A1	*	3/2011	Chou	.....	16/45
2012/0255141	A1	*	10/2012	Lin et al.	.....	16/45

\* cited by examiner

*Primary Examiner* — Ruth McInroy

(74) *Attorney, Agent, or Firm* — NSIP Law

(57) **CLAIM**

We claim the ornamental design for a vacuum cleaner, as shown and described.

**DESCRIPTION**

FIG. 1 is a perspective view of a vacuum cleaner, showing our new design;

FIG. 2 is a front view thereof;

FIG. 3 is a rear view thereof;

FIG. 4 is a left-side view thereof;

FIG. 5 is a right-side view thereof;

FIG. 6 is a top plan view thereof;

FIG. 7 is a bottom plan view thereof; and,

FIG. 8 is a partially-exploded perspective view of the vacuum cleaner of FIG. 1, in which the claimed design portion is separated away from the remaining vacuum cleaner to further illustrate the claimed design.

The broken lines are for environmental purposes only and form no part of the claimed design.

**1 Claim, 8 Drawing Sheets**

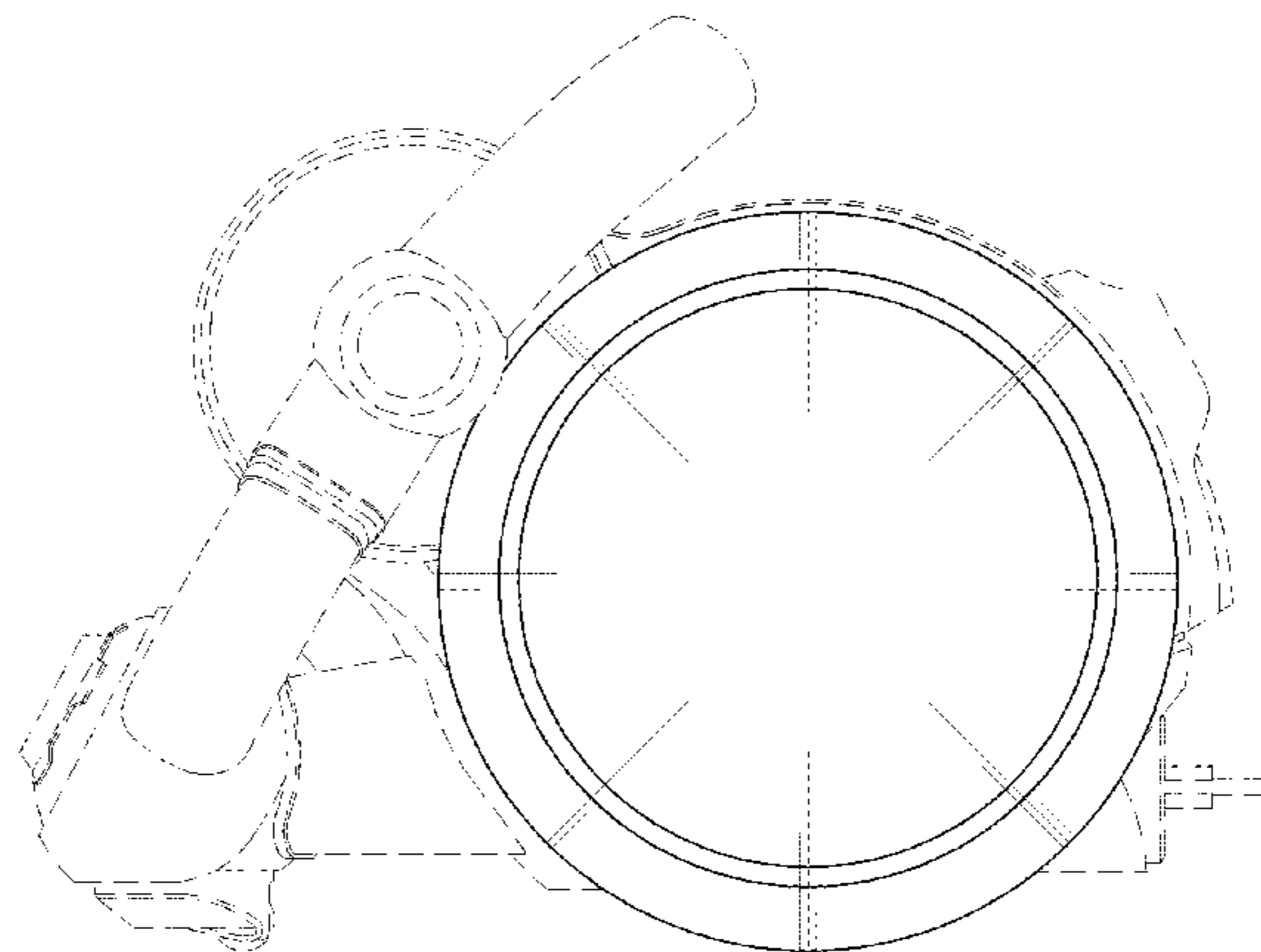
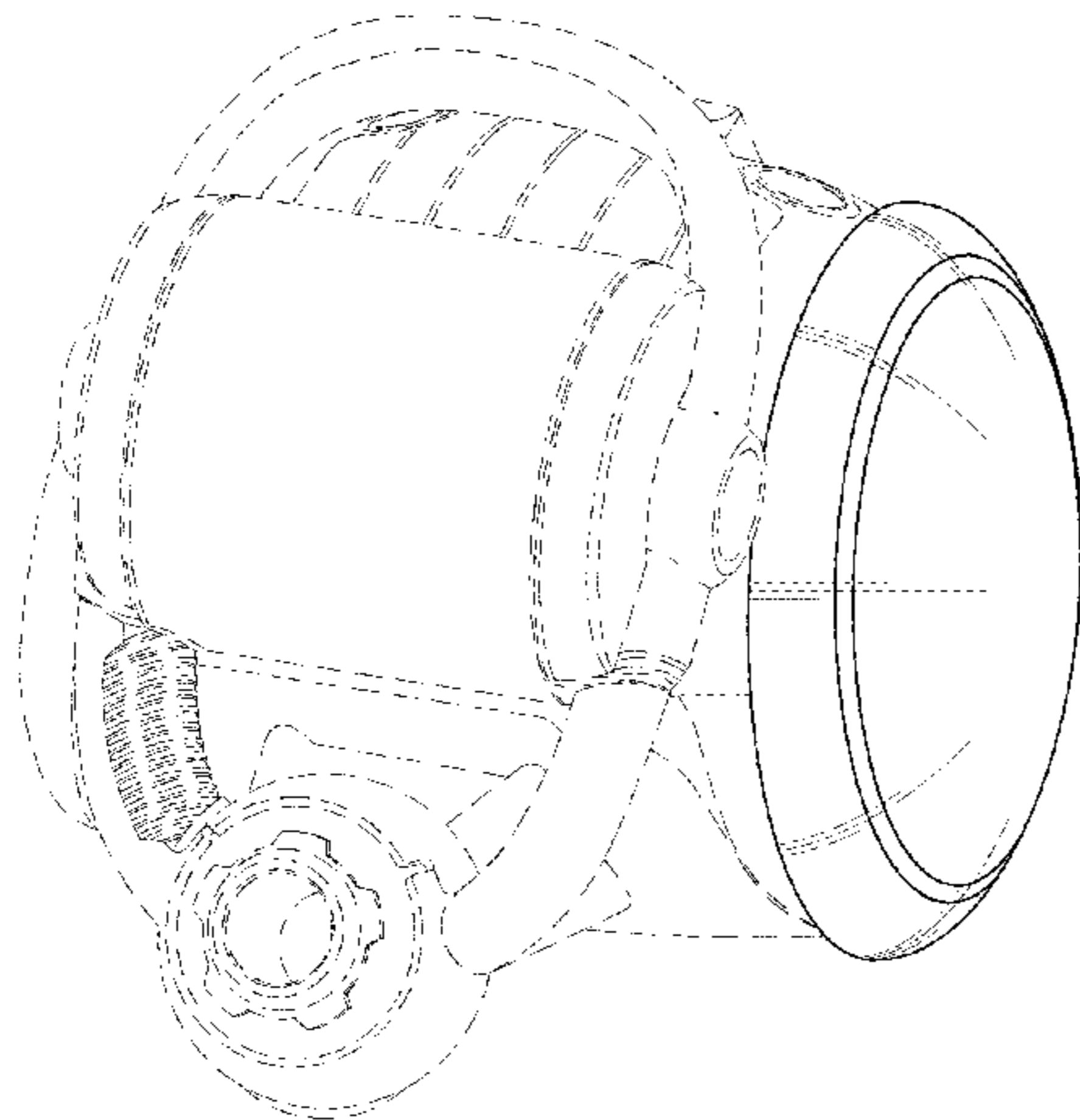


FIG. 1

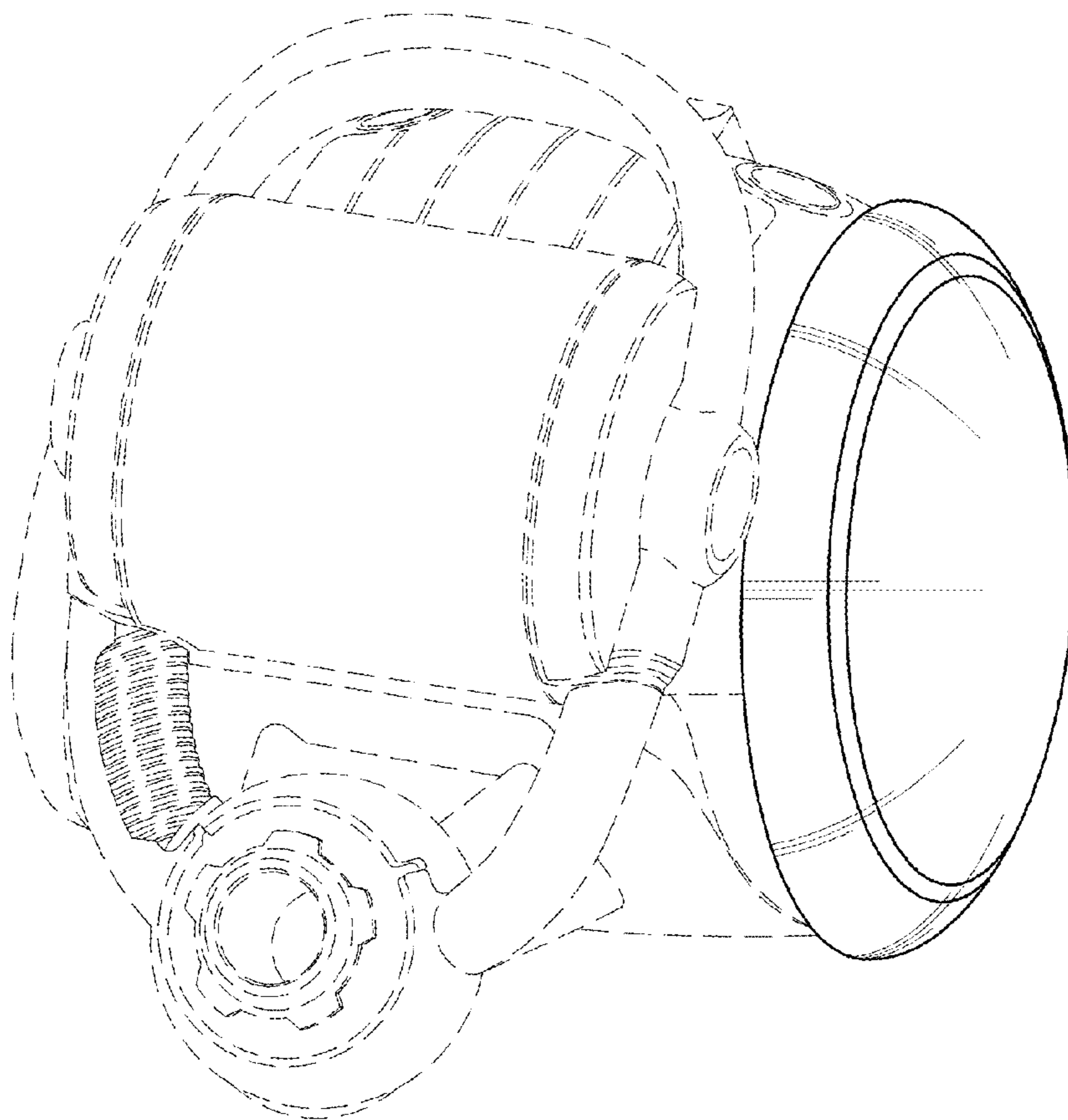


FIG. 2

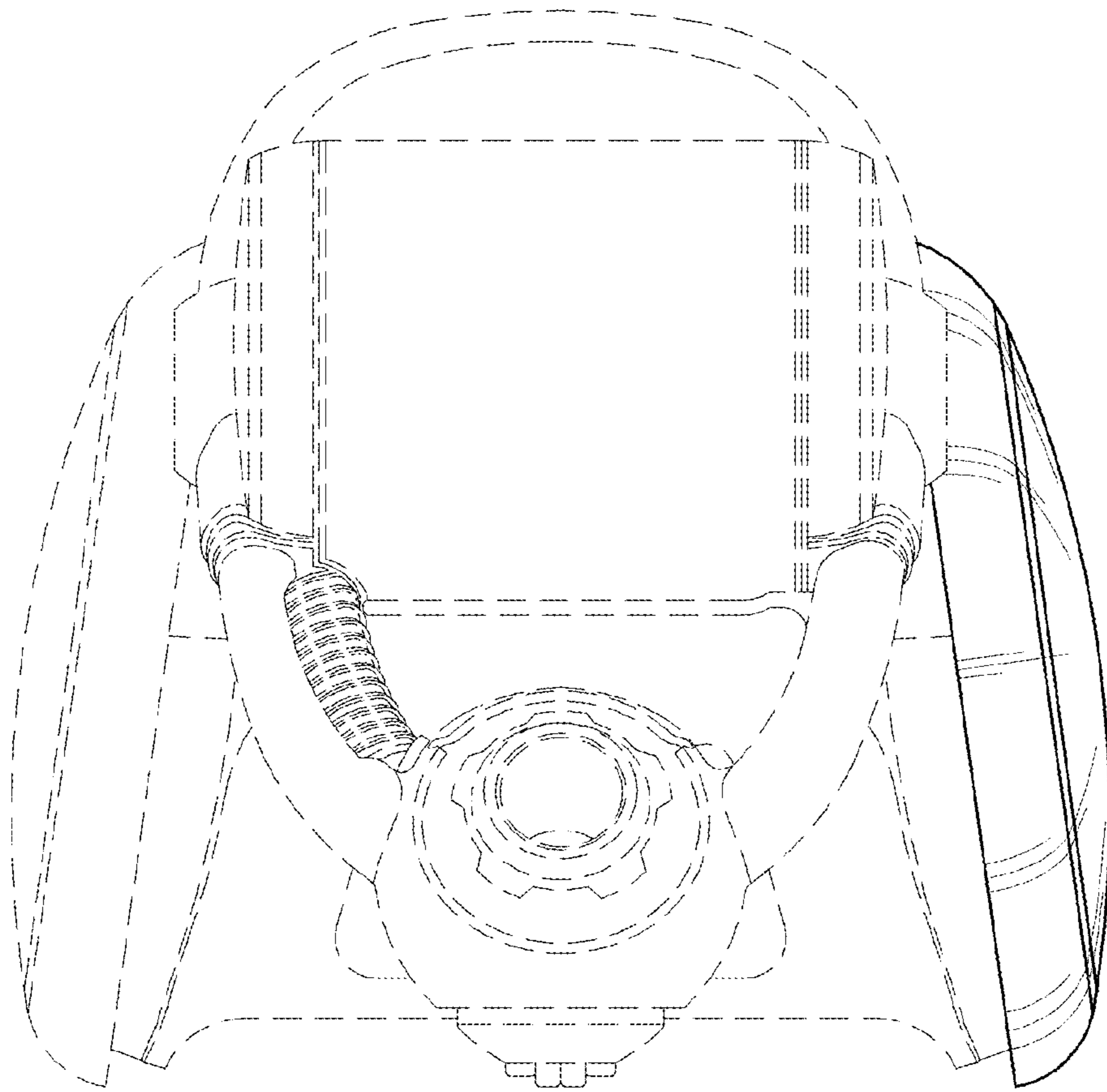


FIG. 3

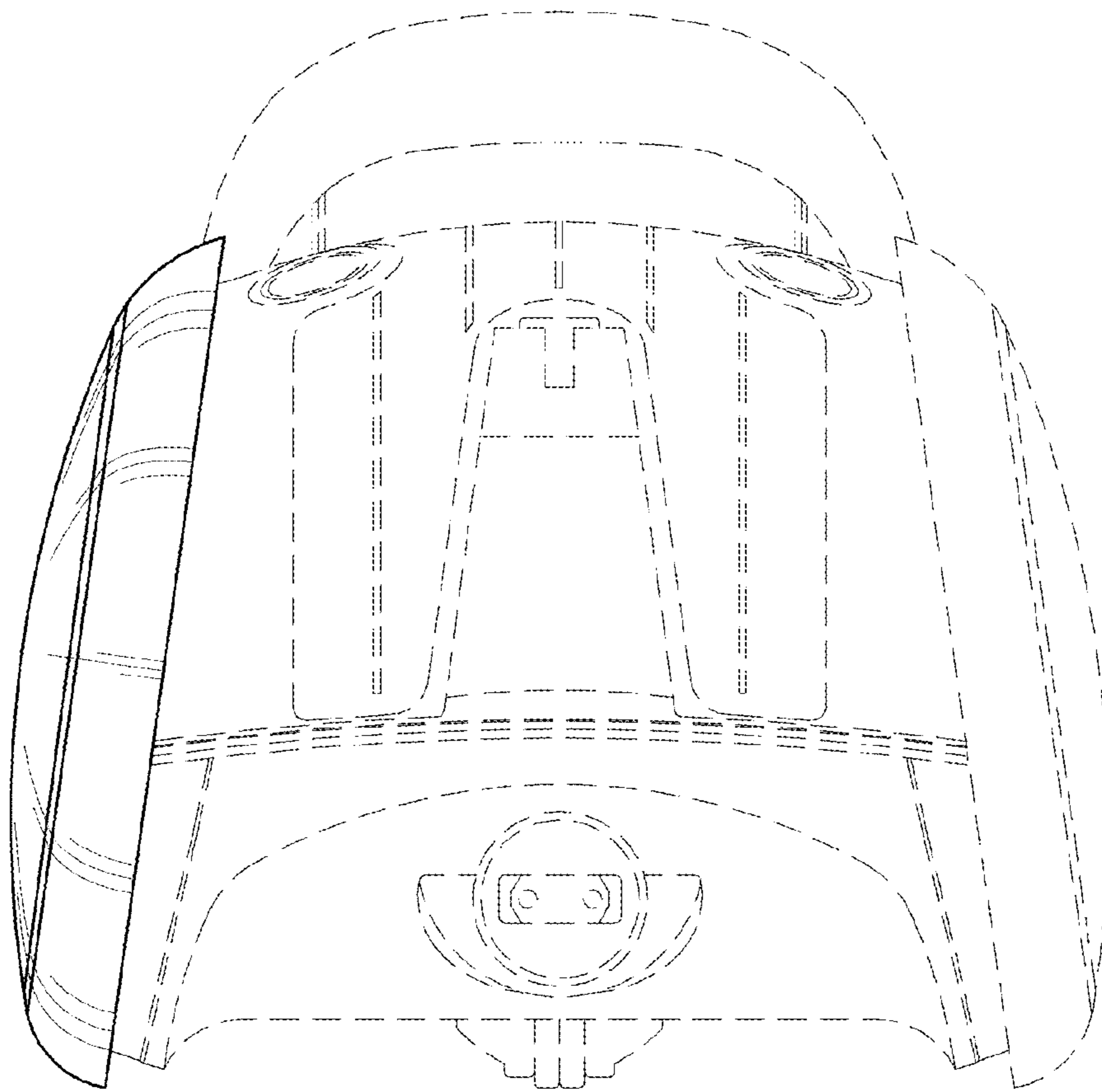


FIG. 4

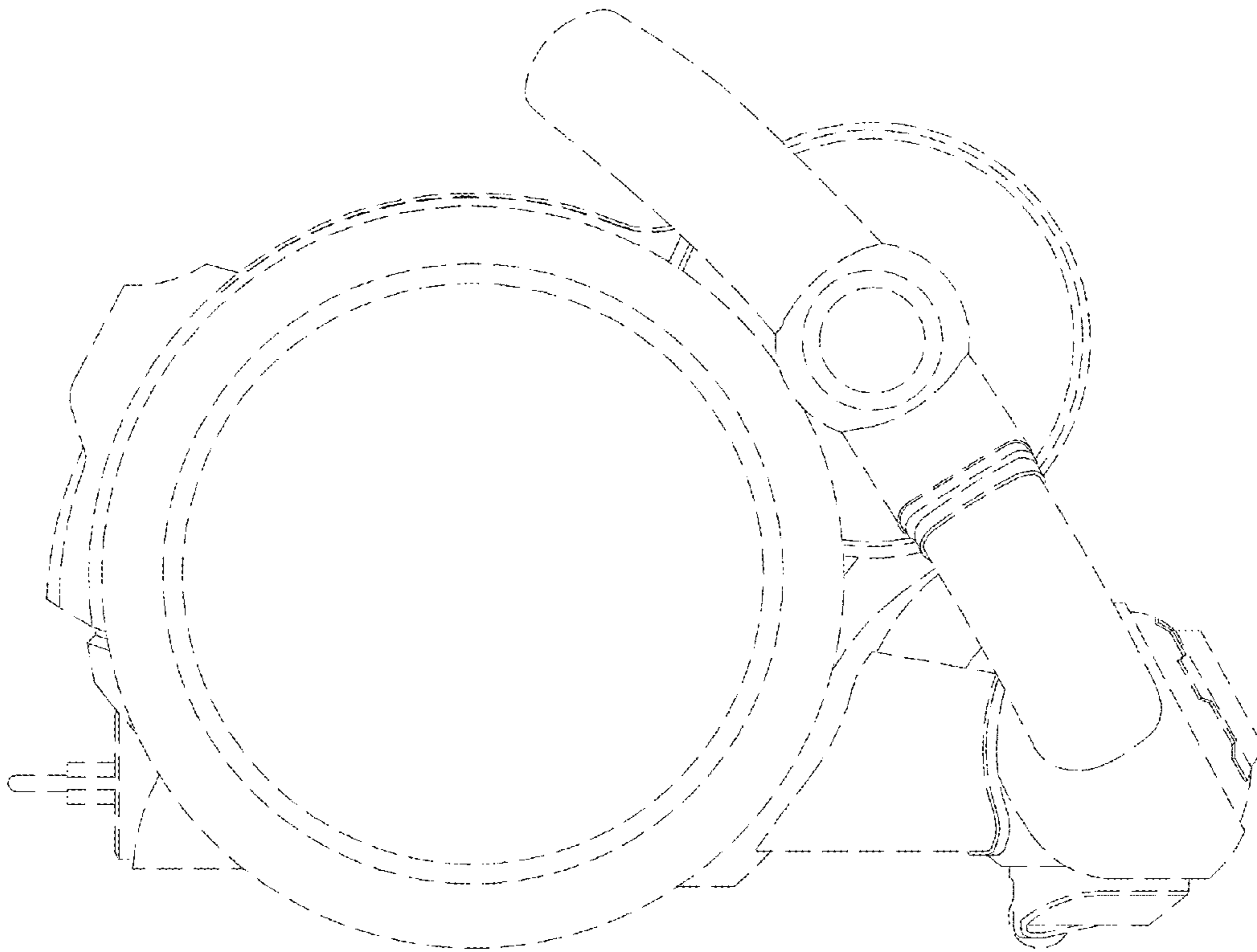


FIG. 5

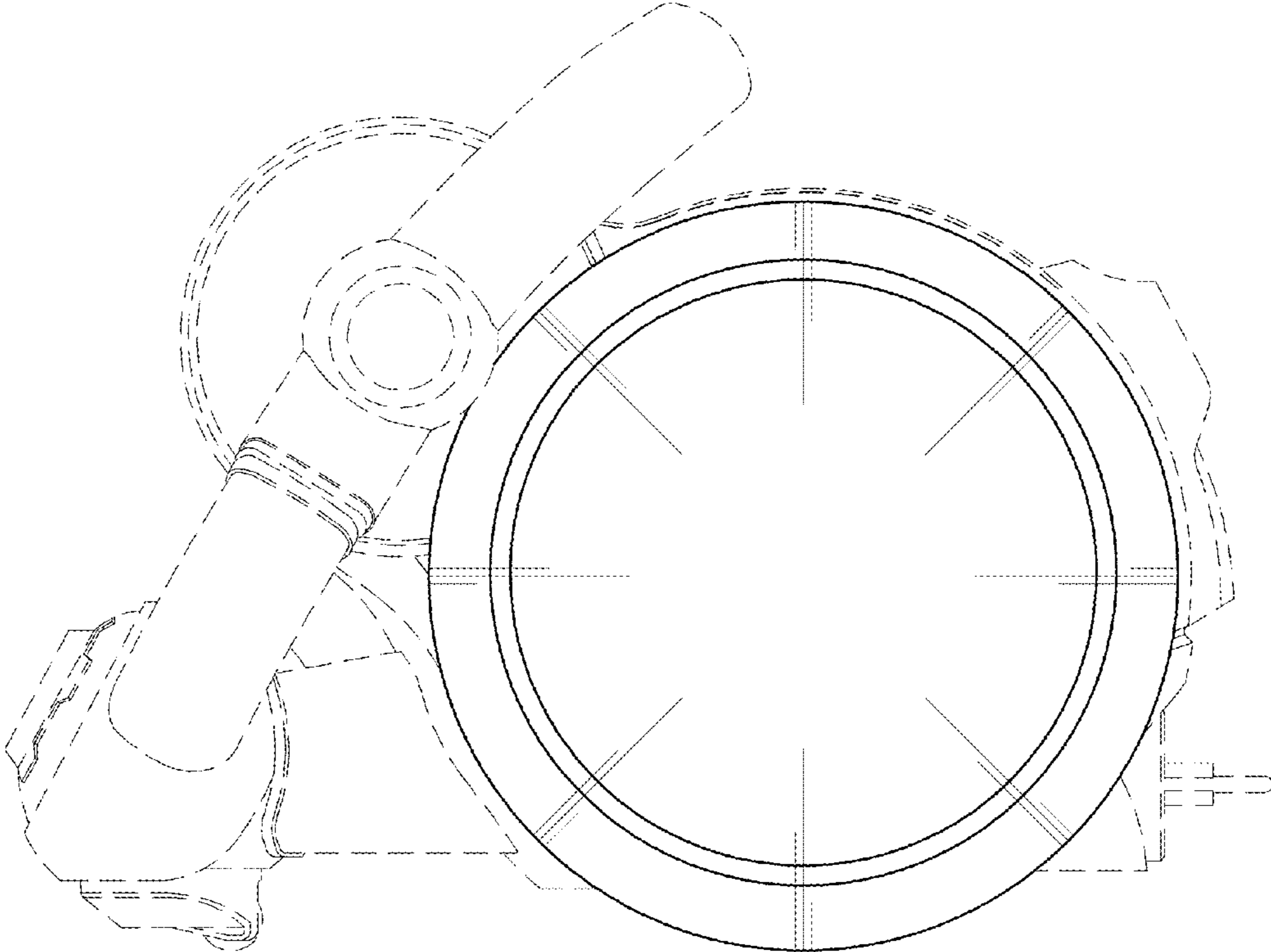


FIG. 6

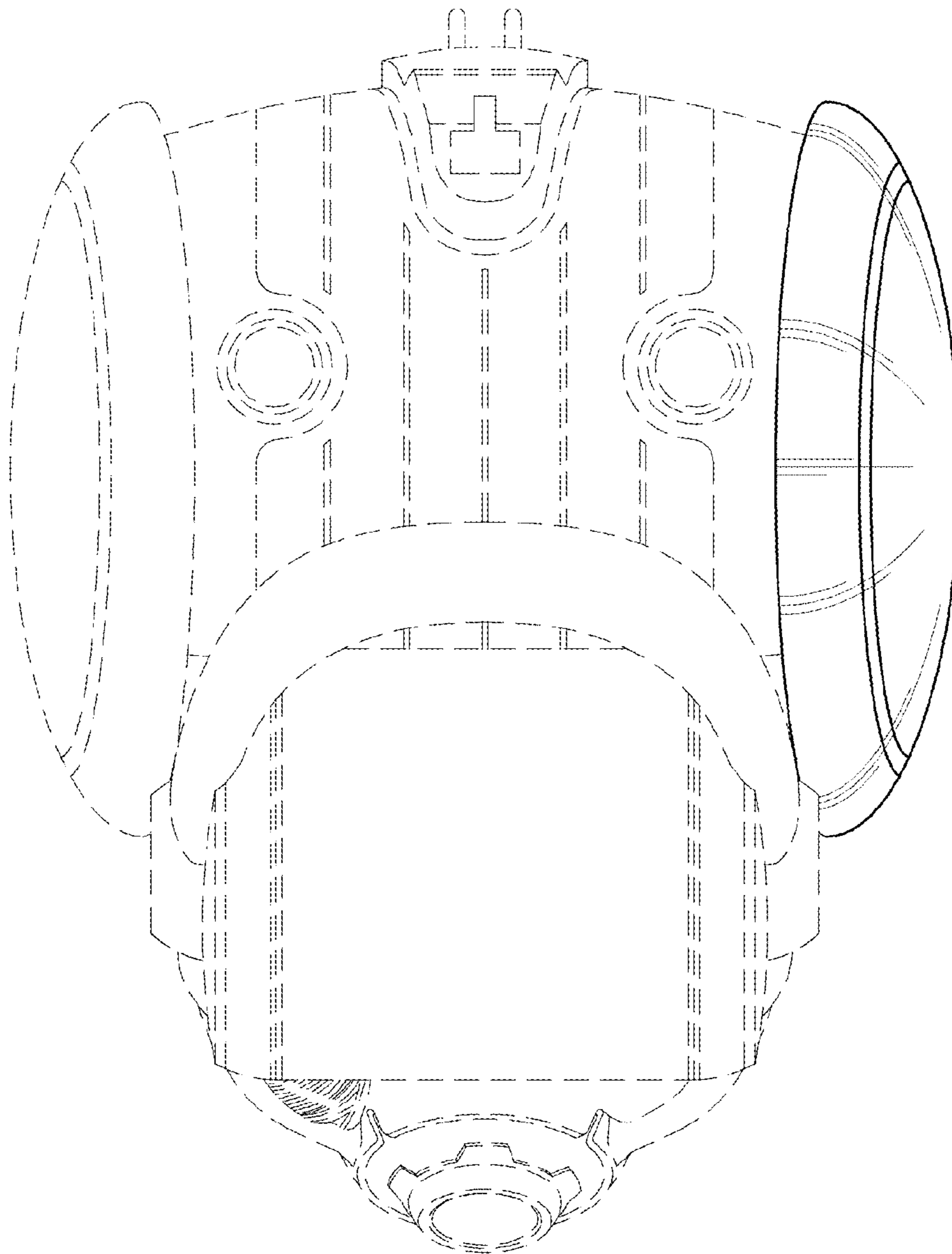


FIG. 7

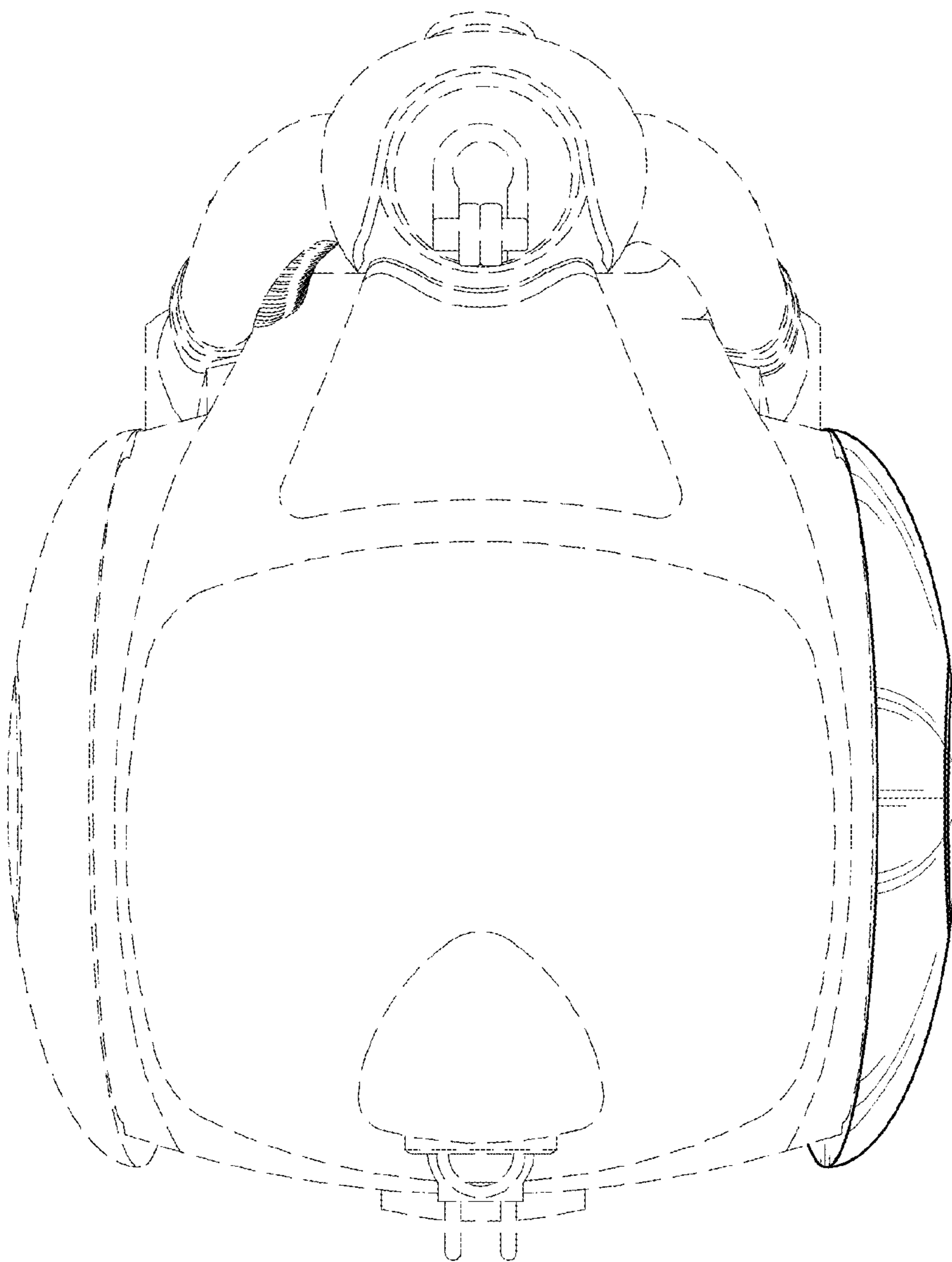




FIG. 8

