



US00D711604S

(12) **United States Design Patent**
Park et al.

(10) **Patent No.:** **US D711,604 S**

(45) **Date of Patent:** **** Aug. 19, 2014**

(54) **VACUUM CLEANER**

(71) Applicant: **Samsung Electronics Co., Ltd.**,
Suwon-si (KR)

(72) Inventors: **Yu-Na Park**, Seoul (KR); **Dong-Won Chun**, Paju-Si (KR)

(73) Assignee: **Samsung Electronics Co., Ltd.**,
Suwon-si (KR)

(**) Term: **14 Years**

(21) Appl. No.: **29/460,340**

(22) Filed: **Jul. 10, 2013**

(30) **Foreign Application Priority Data**

Jan. 15, 2013 (KR) 30-2013-0002525

(51) **LOC (10) Cl.** **15-05**

(52) **U.S. Cl.**
USPC **D32/21**

(58) **Field of Classification Search**
USPC D32/21, 23-24, 31; 15/327.1-327.7,
15/352, 353, 321, 347, 329; 55/429,
55/DIG. 3, 337; D12/204, 207, 209, 13,
D12/215; D21/563

See application file for complete search history.

(56) **References Cited**

U.S. PATENT DOCUMENTS

D417,046 S * 11/1999 Tsuruha et al. D32/21
D417,047 S * 11/1999 Tsuda D32/21
D454,994 S * 3/2002 Harada et al. D32/21
6,484,350 B2 * 11/2002 Yung 15/327.1
D485,653 S * 1/2004 Warburton D32/21
D493,586 S * 7/2004 Choi D32/21
D499,849 S * 12/2004 Lam D32/21

D533,693 S * 12/2006 Lee D32/21
D553,811 S * 10/2007 Shin D32/21
D556,400 S * 11/2007 Houghton D32/21
D584,462 S * 1/2009 Umeda et al. D32/21
D620,654 S * 7/2010 Kim D32/21
8,528,160 B2 * 9/2013 Conrad 15/327.2

* cited by examiner

Primary Examiner — Ruth McInroy

(74) *Attorney, Agent, or Firm* — NSIP Law

(57) **CLAIM**

We claim the ornamental design for a vacuum cleaner, as shown and described.

DESCRIPTION

FIG. 1 is a perspective view of a vacuum cleaner, showing our new design;

FIG. 2 is a front view thereof;

FIG. 3 is a rear view thereof;

FIG. 4 is a left-side view thereof;

FIG. 5 is a right-side view thereof;

FIG. 6 is a top plan view thereof;

FIG. 7 is a bottom plan view thereof;

FIG. 8 is a perspective view thereof, showing the cover in an open position;

FIG. 9 is a perspective view thereof, showing the cover in an open position with the tray in an extended position;

FIG. 10 is a top plan view thereof, showing the design rotated to a first position;

FIG. 11 is a top plan view thereof, showing the design rotated to a second position;

FIG. 12 is an enlarged view of the wheel in FIG. 1; and,

FIG. 13 is an enlarged view of detail A in FIG. 1.

The circle A (shown in dot-dash lines in FIGS. 1 and 13) forms no part of the claimed design.

The broken lines are for environmental purpose only and form no part of the claimed design.

1 Claim, 13 Drawing Sheets

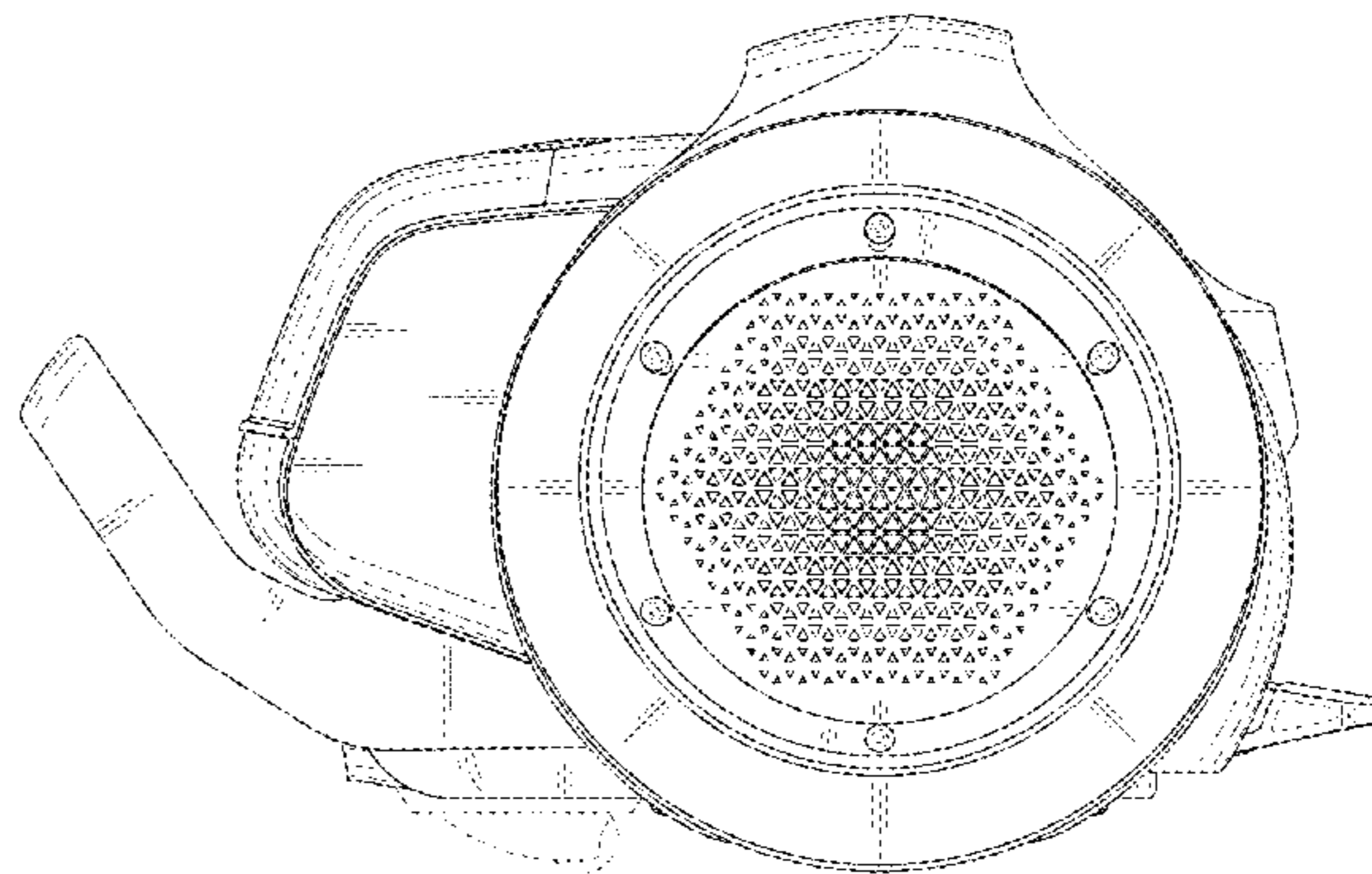
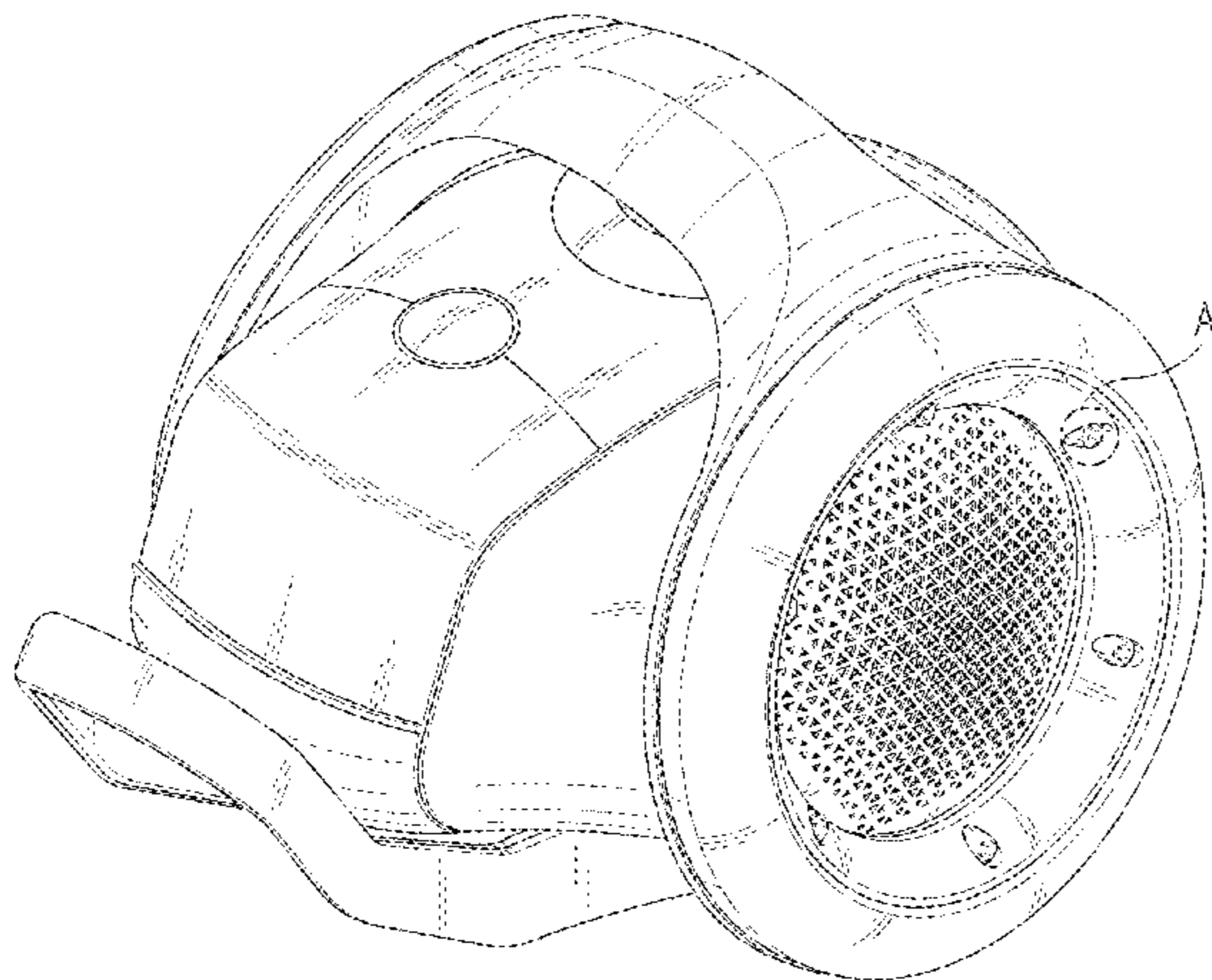


FIG. 1

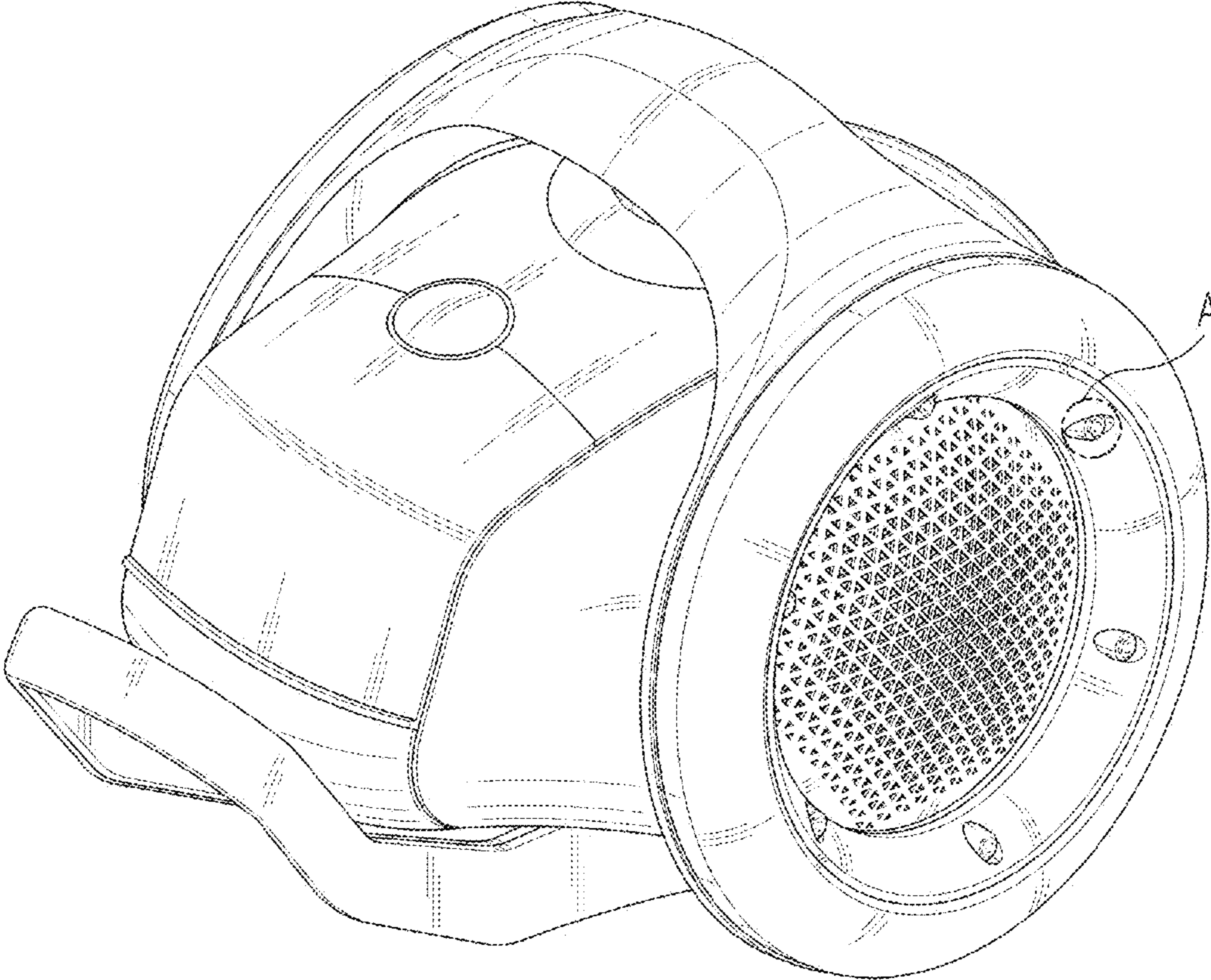


FIG. 2

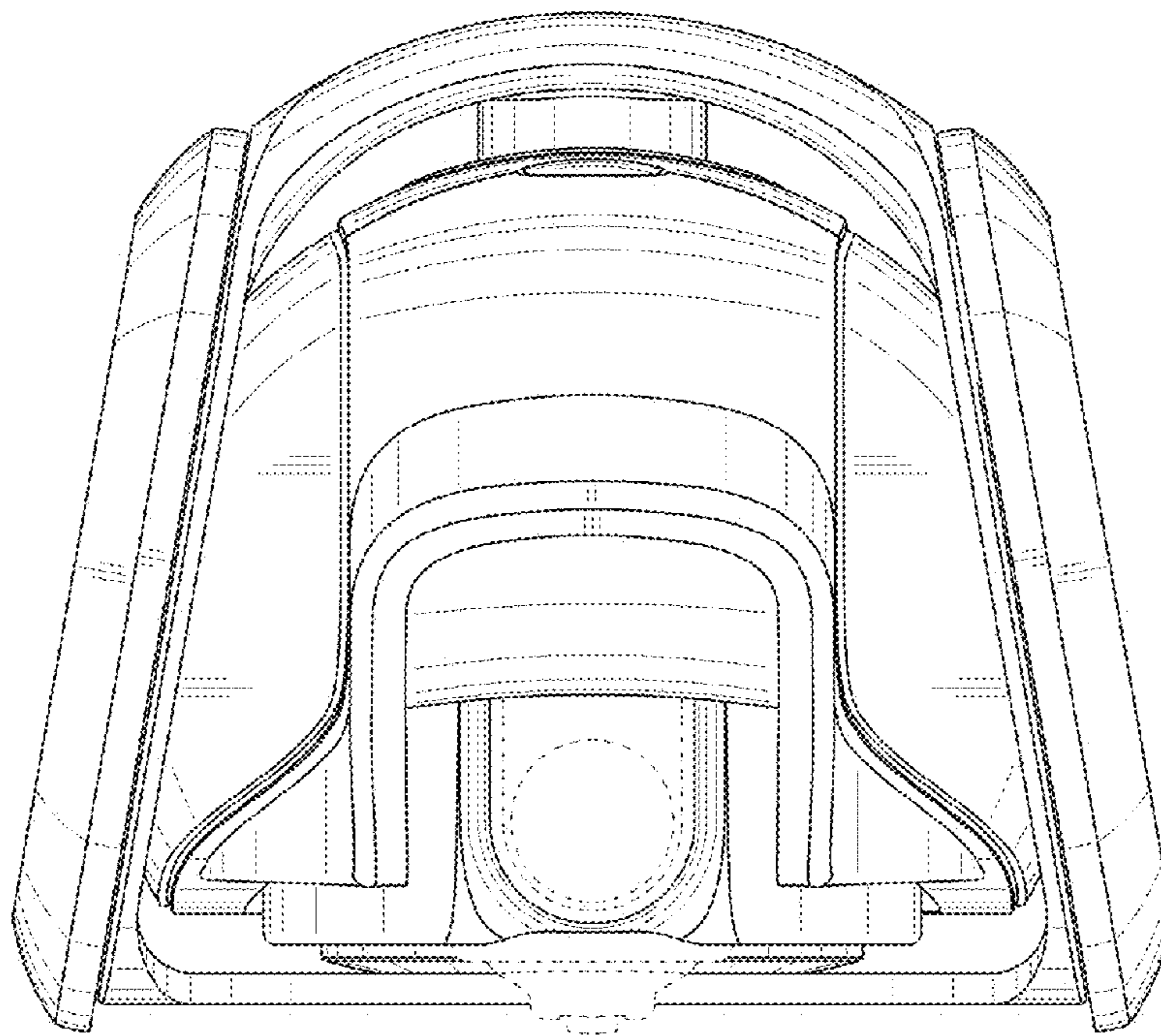


FIG. 3

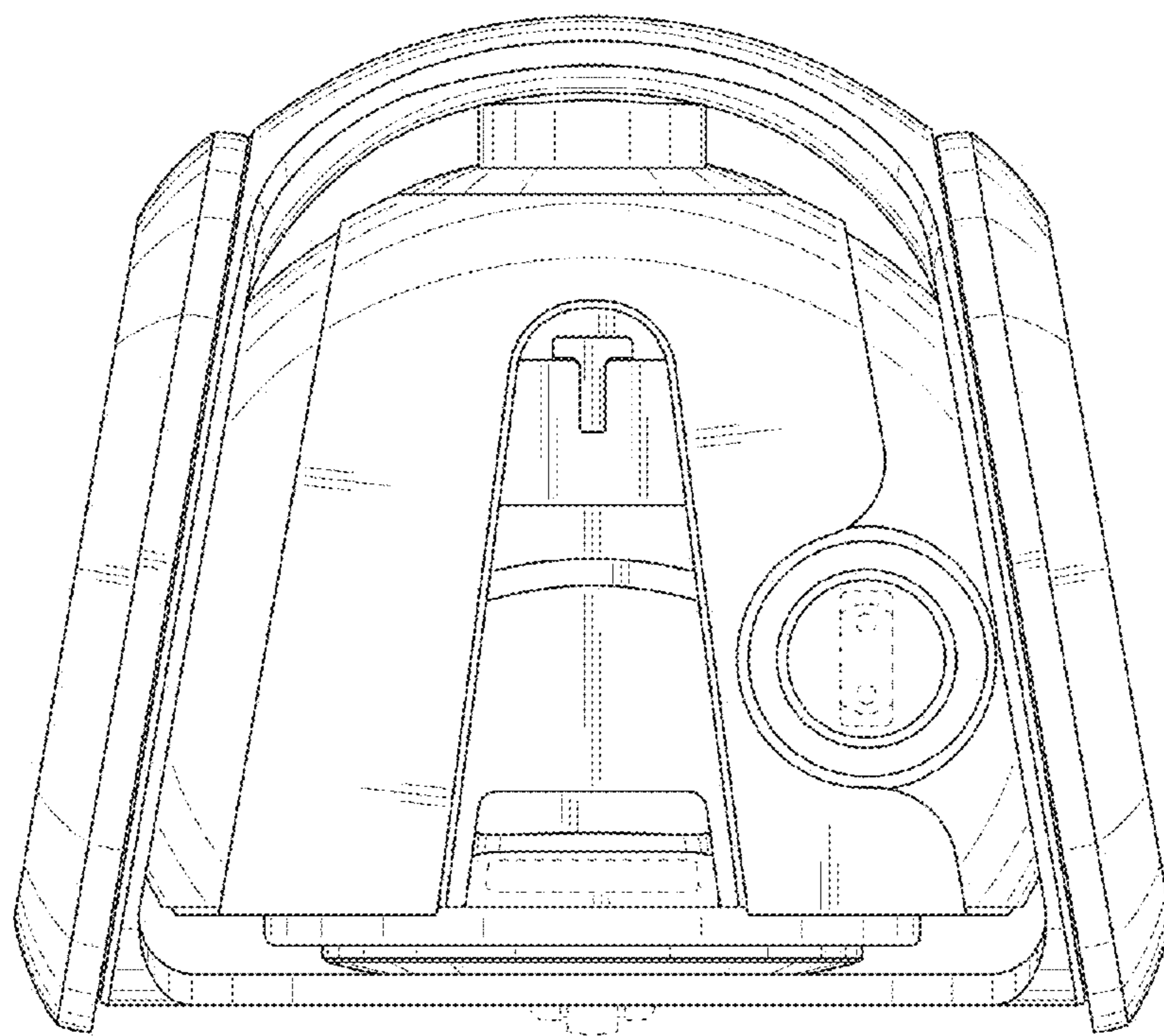


FIG. 4

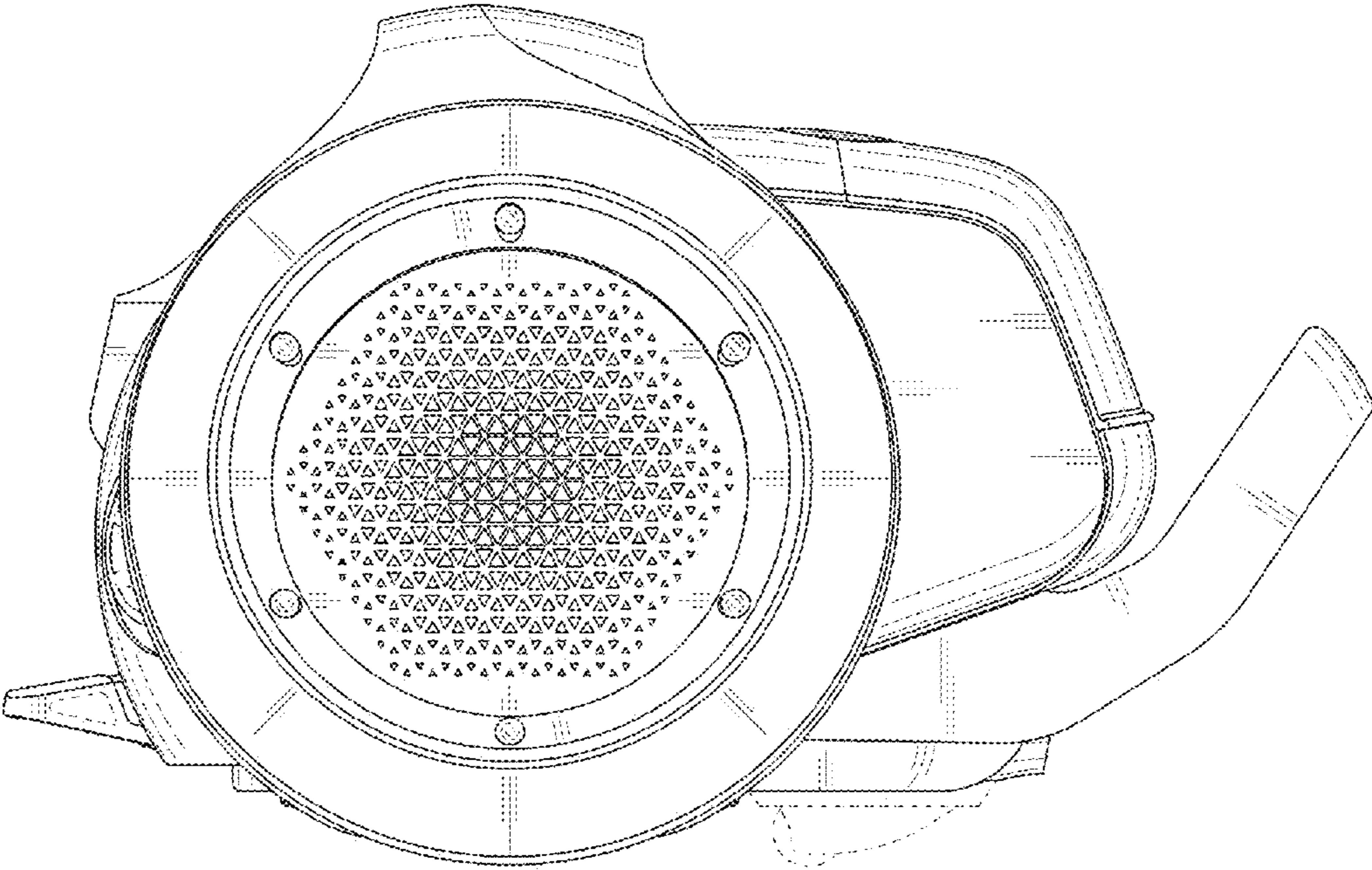


FIG. 5

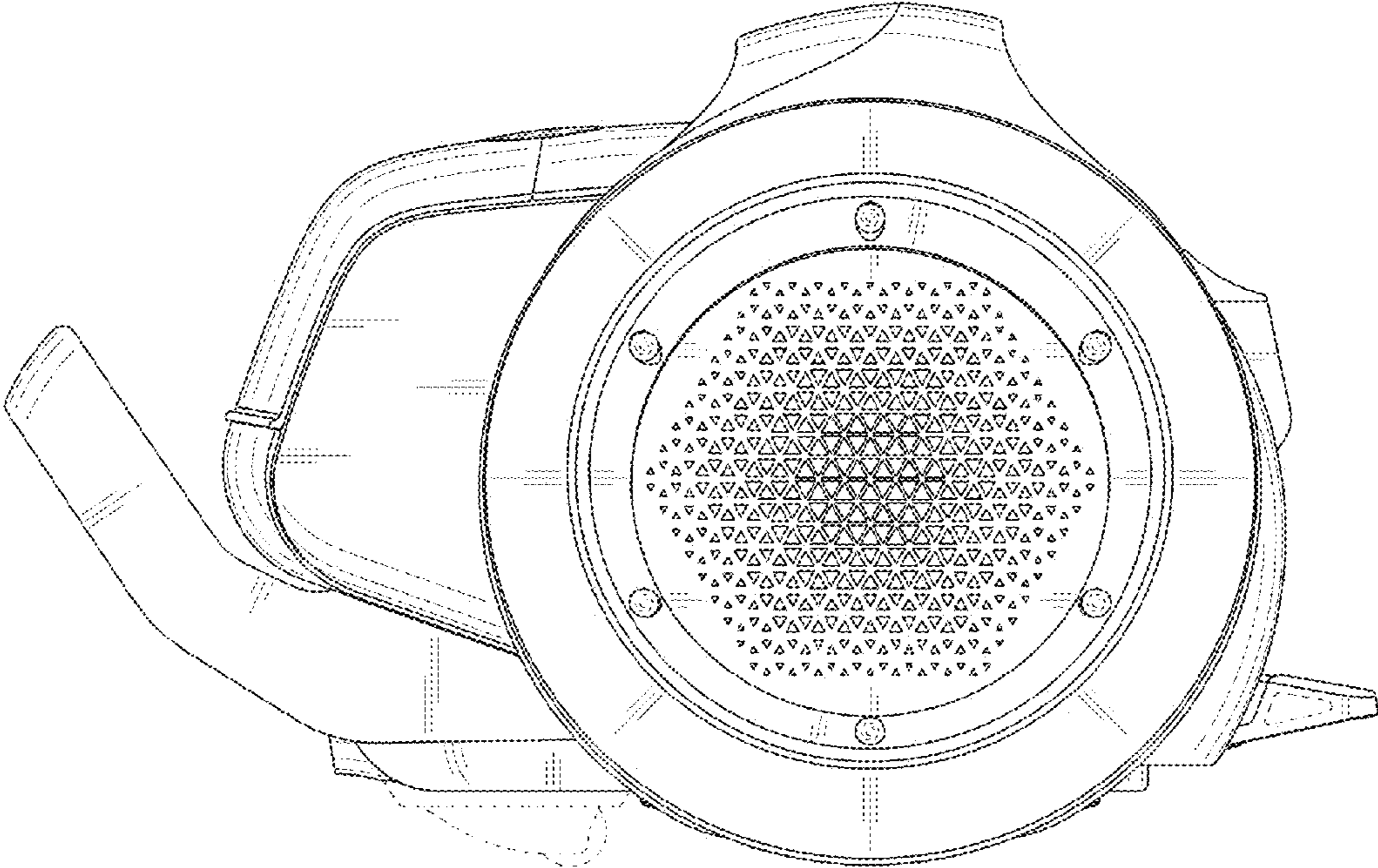


FIG. 6

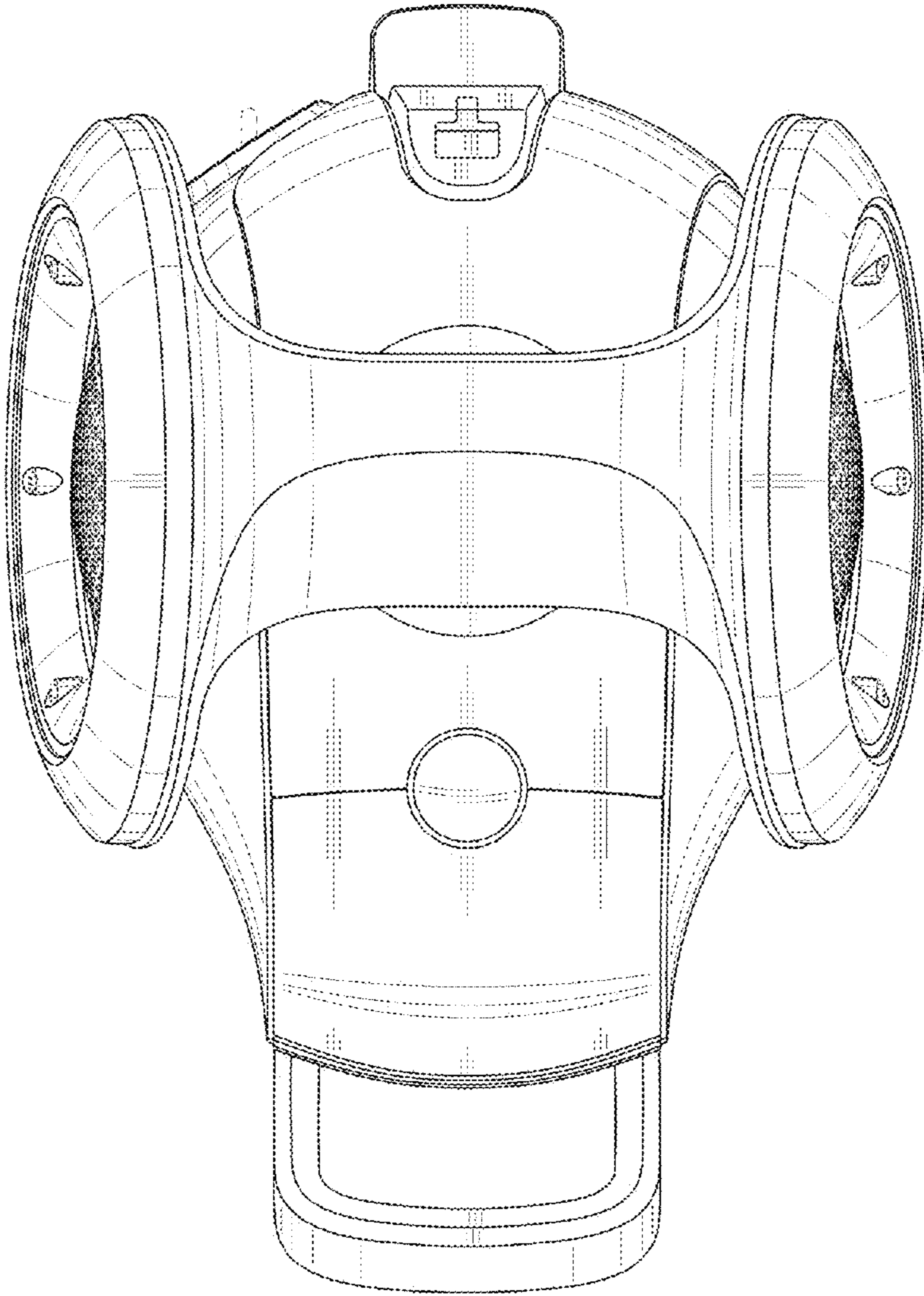


FIG. 7

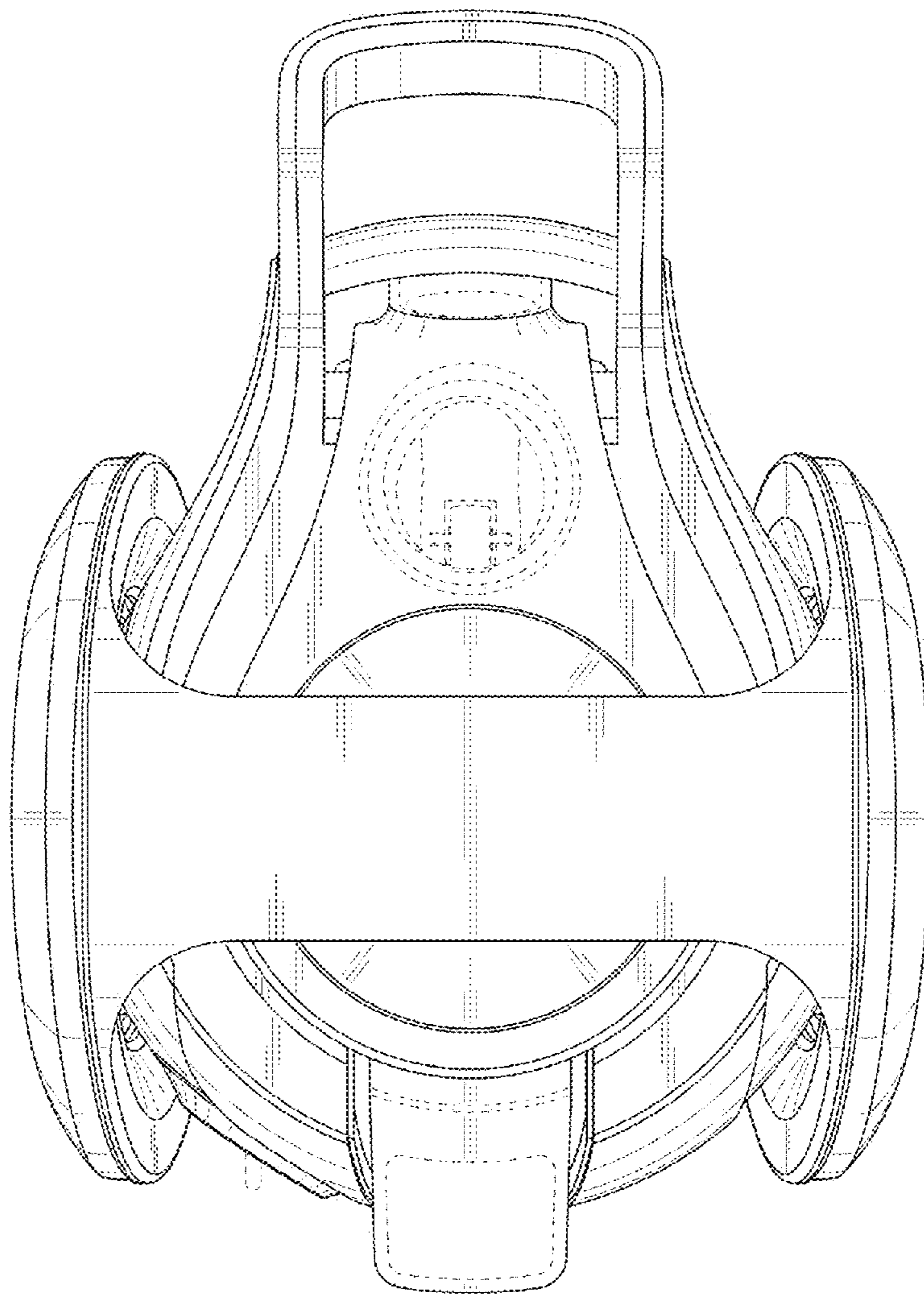


FIG. 8

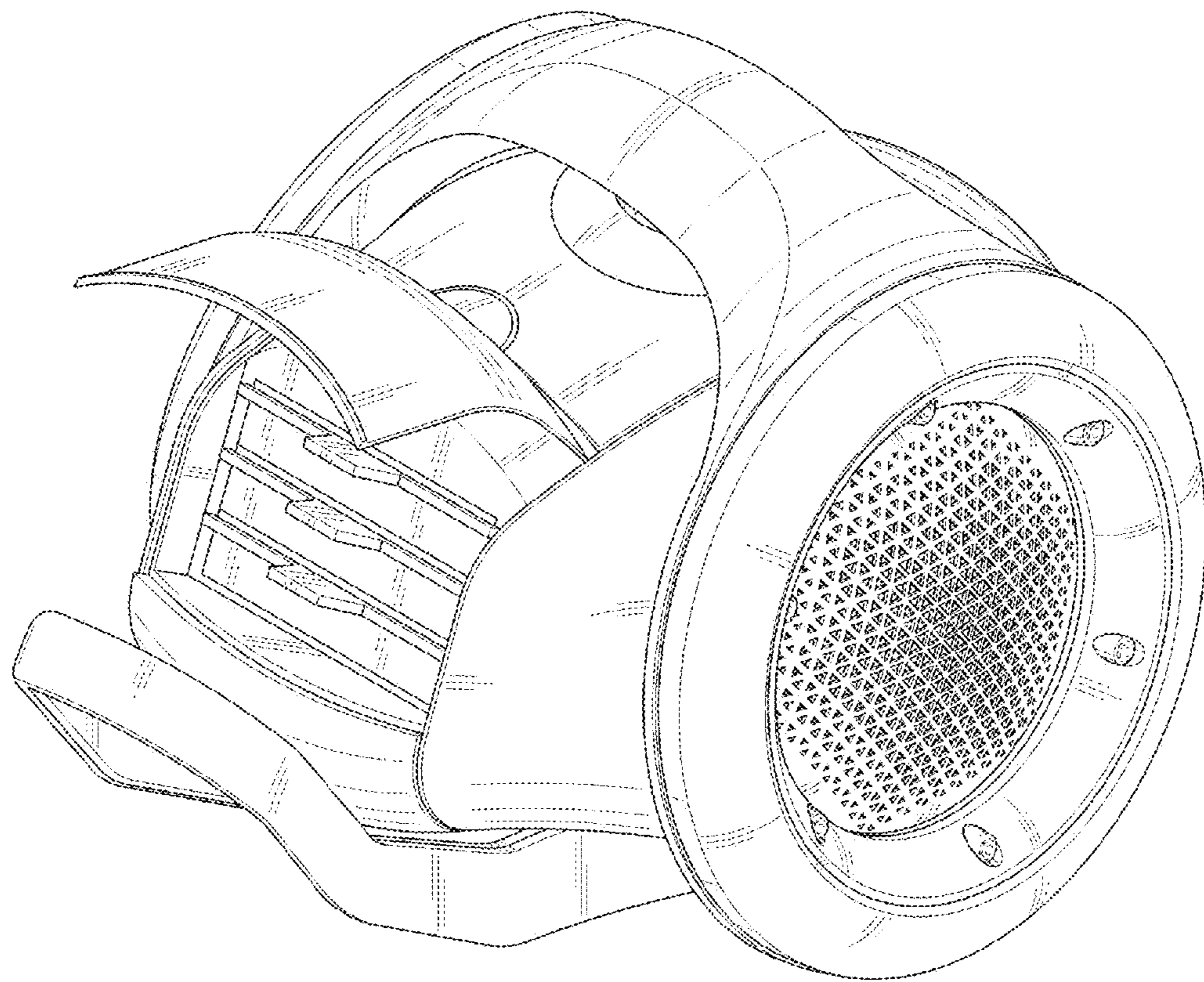


FIG. 9

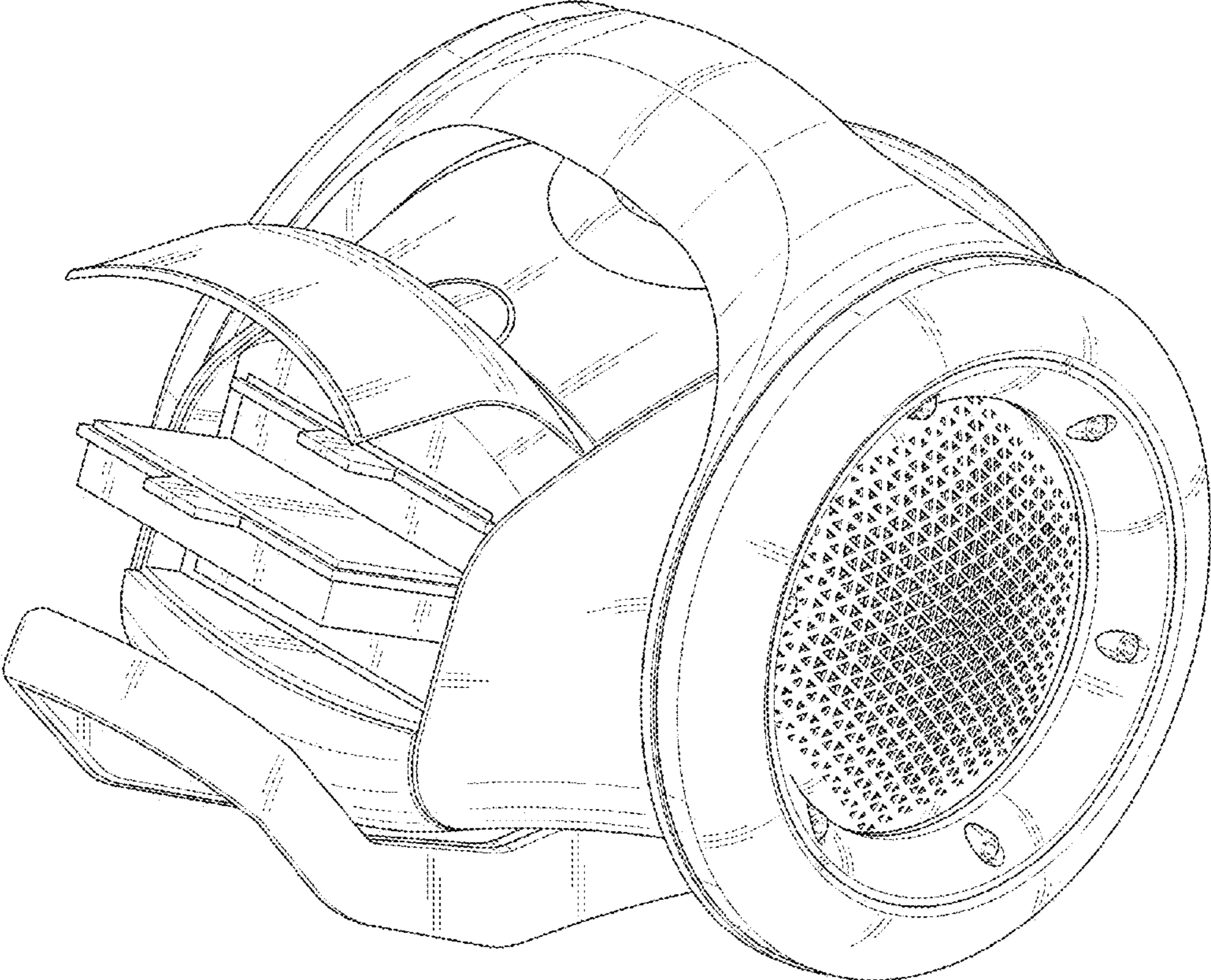


FIG. 10

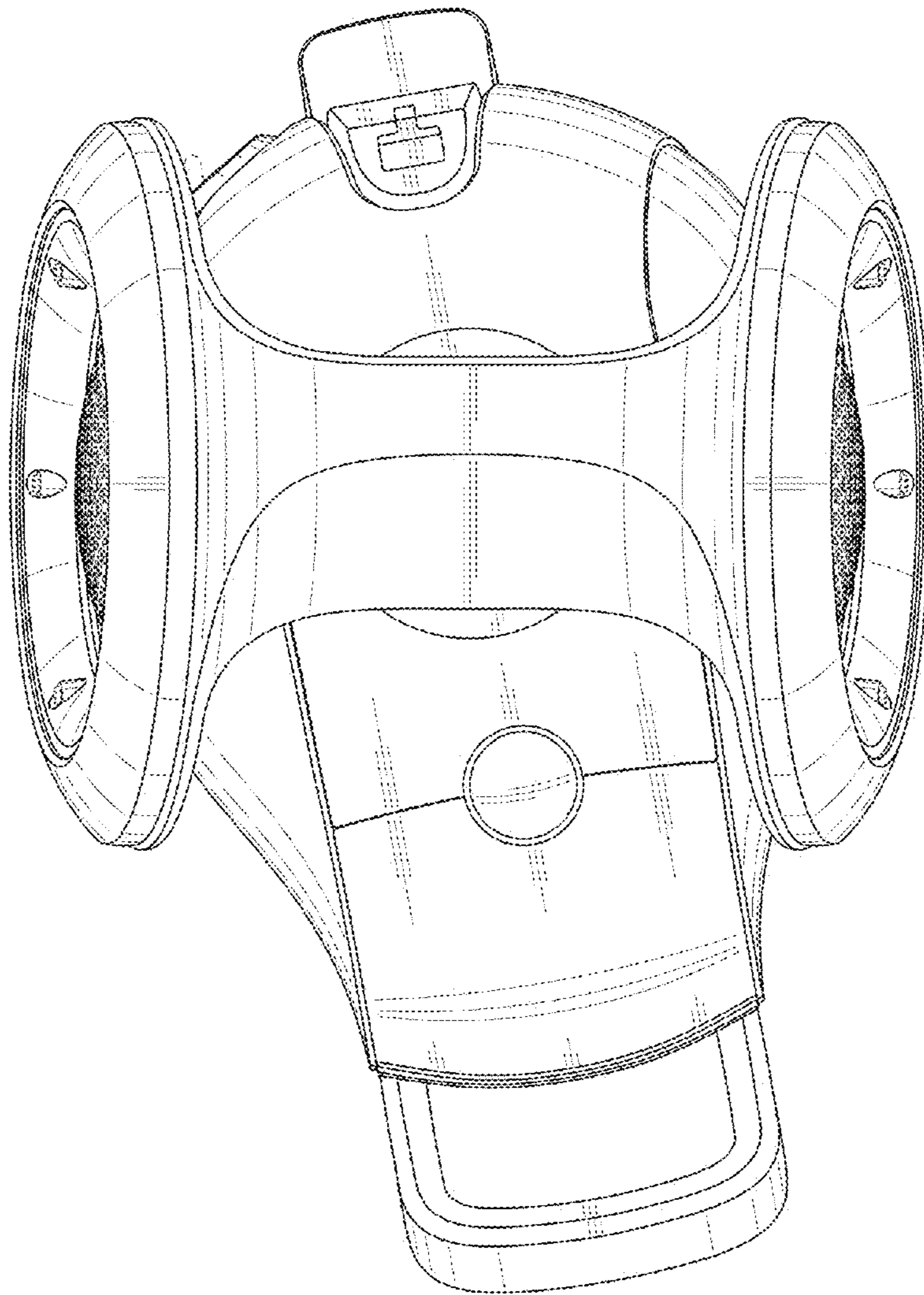


FIG. 11

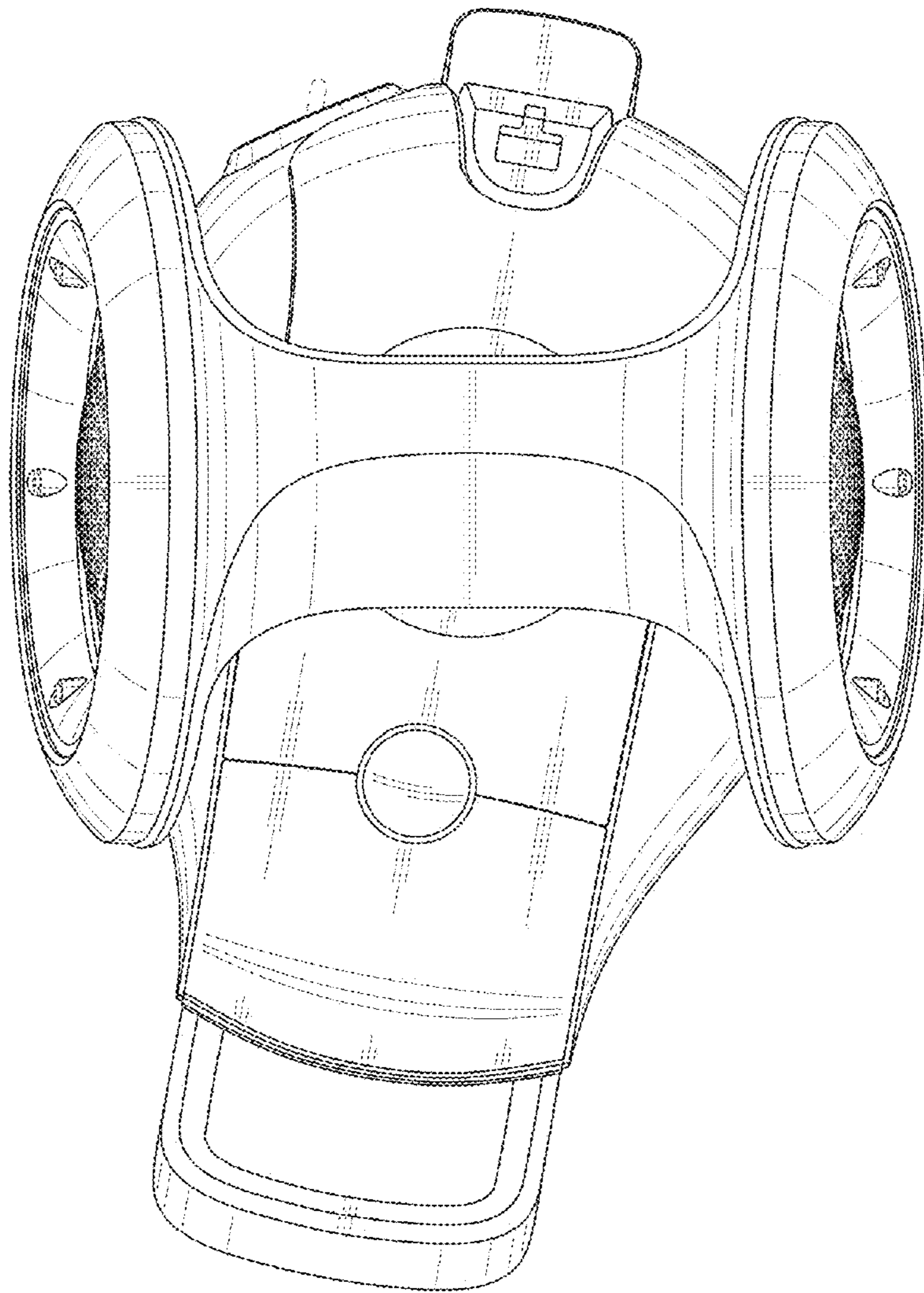


FIG. 12

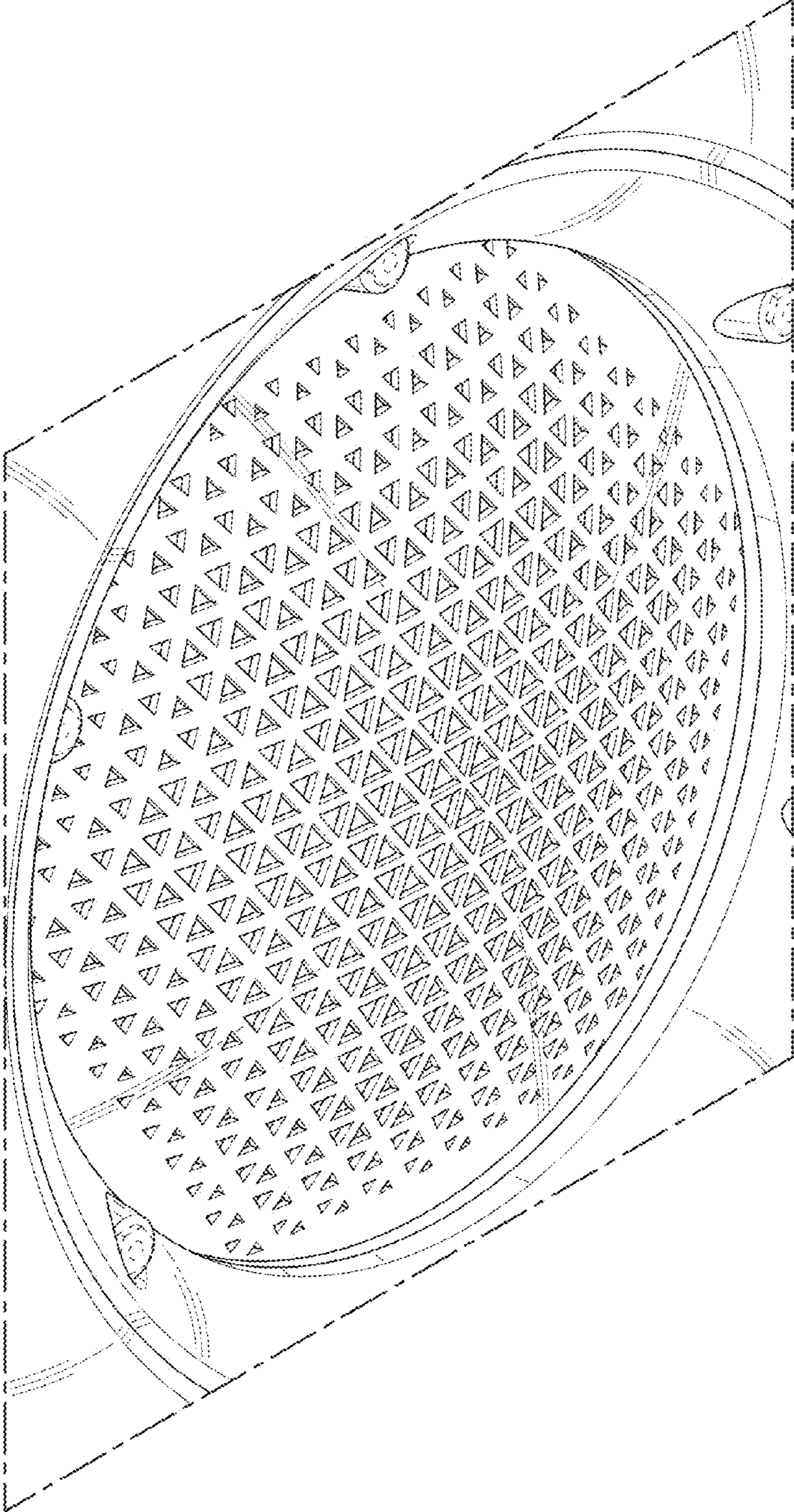


FIG. 13

