



US00D711603S

(12) **United States Design Patent**
Alexander et al.

(10) **Patent No.:** **US D711,603 S**

(45) **Date of Patent:** **** Aug. 19, 2014**

- (54) **PRESSURE WASHER**
- (71) Applicant: **FNA IP Holdings, Inc.**, Elk Grove Village, IL (US)
- (72) Inventors: **Gus Alexander**, Inverness, IL (US);
William N. Alexander, Inverness, IL (US)
- (73) Assignee: **FNA IP Holdings, Inc.**, Elk Grove Village, IL (US)
- (**) Term: **14 Years**
- (21) Appl. No.: **29/434,250**
- (22) Filed: **Oct. 11, 2012**
- (51) **LOC (10) Cl.** **15-05**
- (52) **U.S. Cl.**
USPC **D32/16**
- (58) **Field of Classification Search**
USPC D32/1, 4, 15-18, 21; 15/320-323,
15/340.1, 340.2; 239/146-149, 722;
417/360, 363, 364; D23/223, 225, 226
See application file for complete search history.

D556,959 S	12/2007	Li	
D559,481 S	1/2008	Renner	
D560,046 S	1/2008	Renner	
D563,612 S *	3/2008	Li	D32/15
D564,146 S *	3/2008	Li	D32/15
D564,147 S	3/2008	Li	
D567,458 S *	4/2008	Jiang	D32/15
D568,557 S	5/2008	Alexander	
D570,060 S	5/2008	Renner et al.	
D574,561 S *	8/2008	Ni	D32/16
D591,014 S	4/2009	Li	
D614,822 S	4/2010	Gebhardt et al.	
D630,390 S *	1/2011	Meyer	D32/15
D646,853 S *	10/2011	Alexander et al.	D32/15
D647,256 S *	10/2011	Alexander et al.	D32/15
D647,257 S *	10/2011	Alexander et al.	D32/15
D647,258 S *	10/2011	Alexander et al.	D32/15
D647,672 S	10/2011	Alexander et al.	
D648,493 S *	11/2011	Alexander et al.	D32/15

(Continued)

Primary Examiner — T. Chase Nelson
Assistant Examiner — Kathleen M Sims
 (74) *Attorney, Agent, or Firm* — Steven E. Jedlinski;
 Holland & Knight LLP

(57) **CLAIM**
 The ornamental design for a pressure washer, as shown and described.

(56) **References Cited**

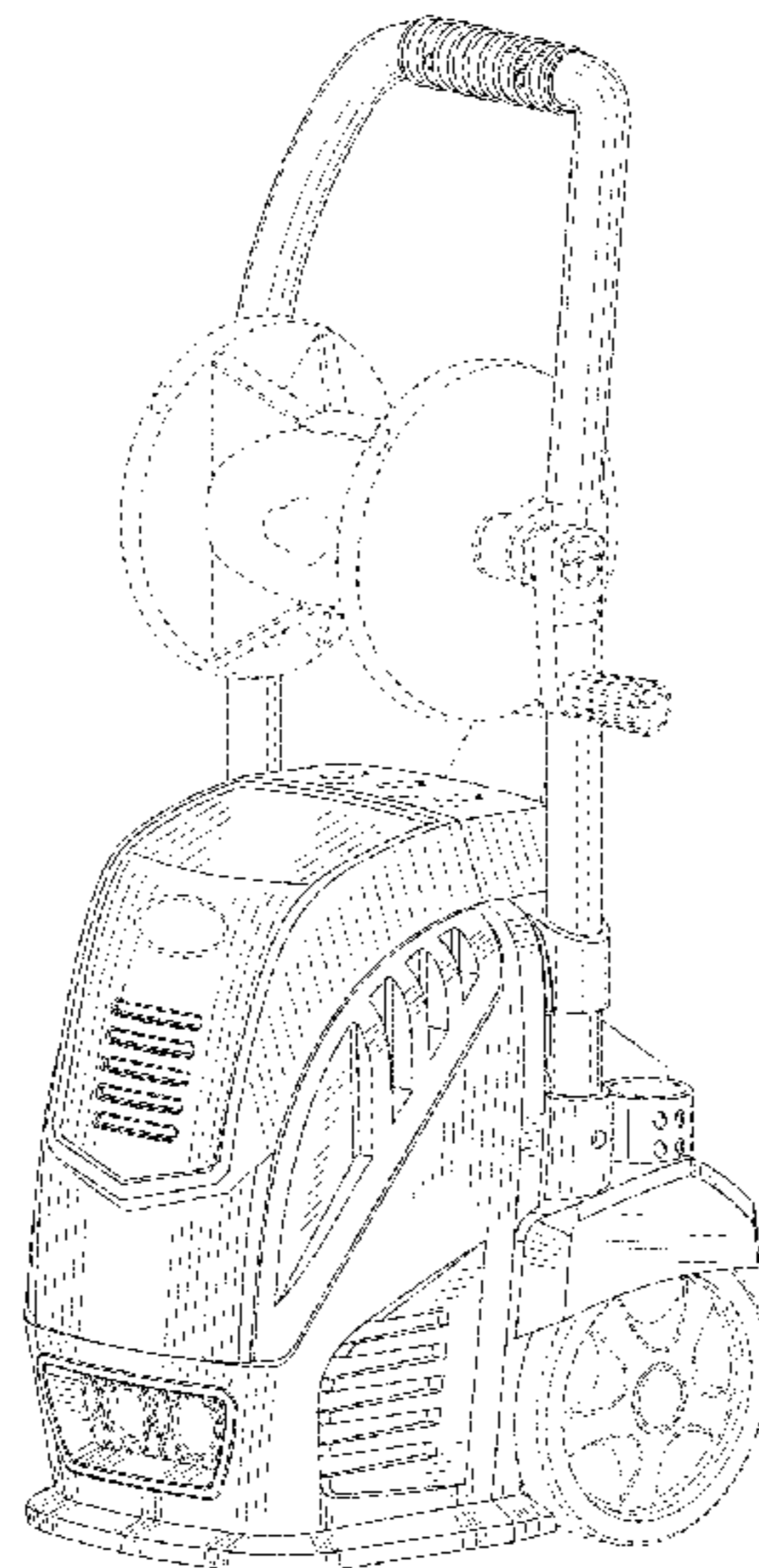
U.S. PATENT DOCUMENTS

D338,292 S	8/1993	Schmitz et al.	
D368,993 S	4/1996	Stutzer et al.	
D381,779 S	7/1997	Pritchett et al.	
D481,838 S *	11/2003	Renner	D32/15
D488,596 S	4/2004	Cattaneo	
D489,497 S	5/2004	Cattaneo	
D489,498 S	5/2004	Cattaneo	
D490,196 S *	5/2004	Lanfredi	D32/15
D490,948 S	6/2004	Cattaneo	
D496,503 S *	9/2004	Chen	D32/16
D532,166 S *	11/2006	Reverberi	D32/4
D551,812 S *	9/2007	Renner	D32/15
D551,813 S	9/2007	Renner	
D551,814 S	9/2007	Renner	

DESCRIPTION

FIG. 1 is a perspective view of a pressure washer;
 FIG. 2 is a front elevation view thereof;
 FIG. 3 is a rear elevation view thereof;
 FIG. 4 is a right side elevation view thereof;
 FIG. 5 is a left side elevation view thereof;
 FIG. 6 is a top plan view thereof; and,
 FIG. 7 is a bottom plan view thereof.
 The broken lines in FIGS. 1-7 are for the purpose of illustrating portions of the pressure washer that form no part of the claimed design.

1 Claim, 6 Drawing Sheets



US D711,603 S

Page 2

(56)

References Cited

U.S. PATENT DOCUMENTS

D660,525 S *	5/2012	Alexander et al.	D32/15
D661,438 S *	6/2012	Alexander et al.	D32/15
2005/0189437 A1	9/2005	Alexander et al.	
D649,308 S *	11/2011	Alexander et al.	D32/15

* cited by examiner

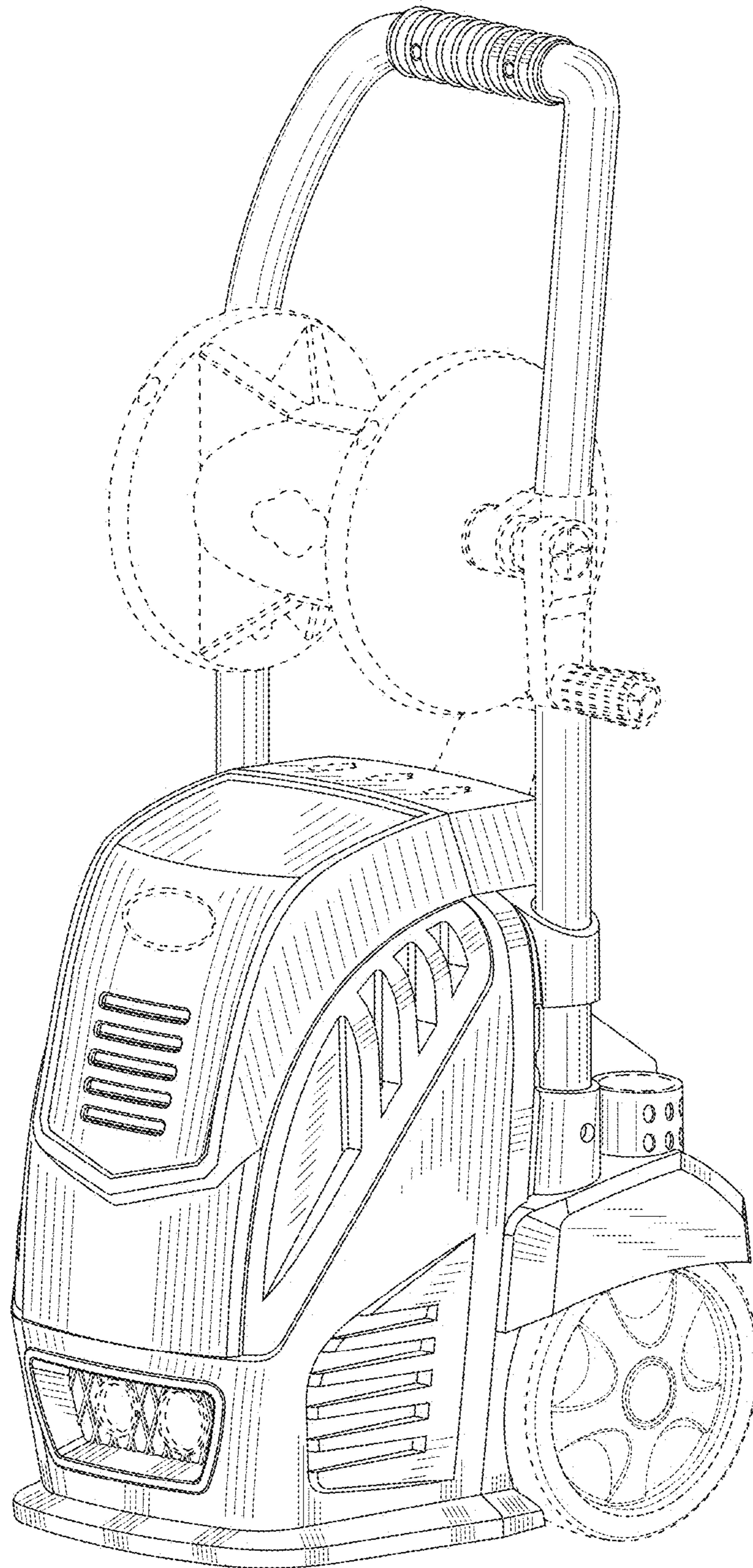


Fig. 1

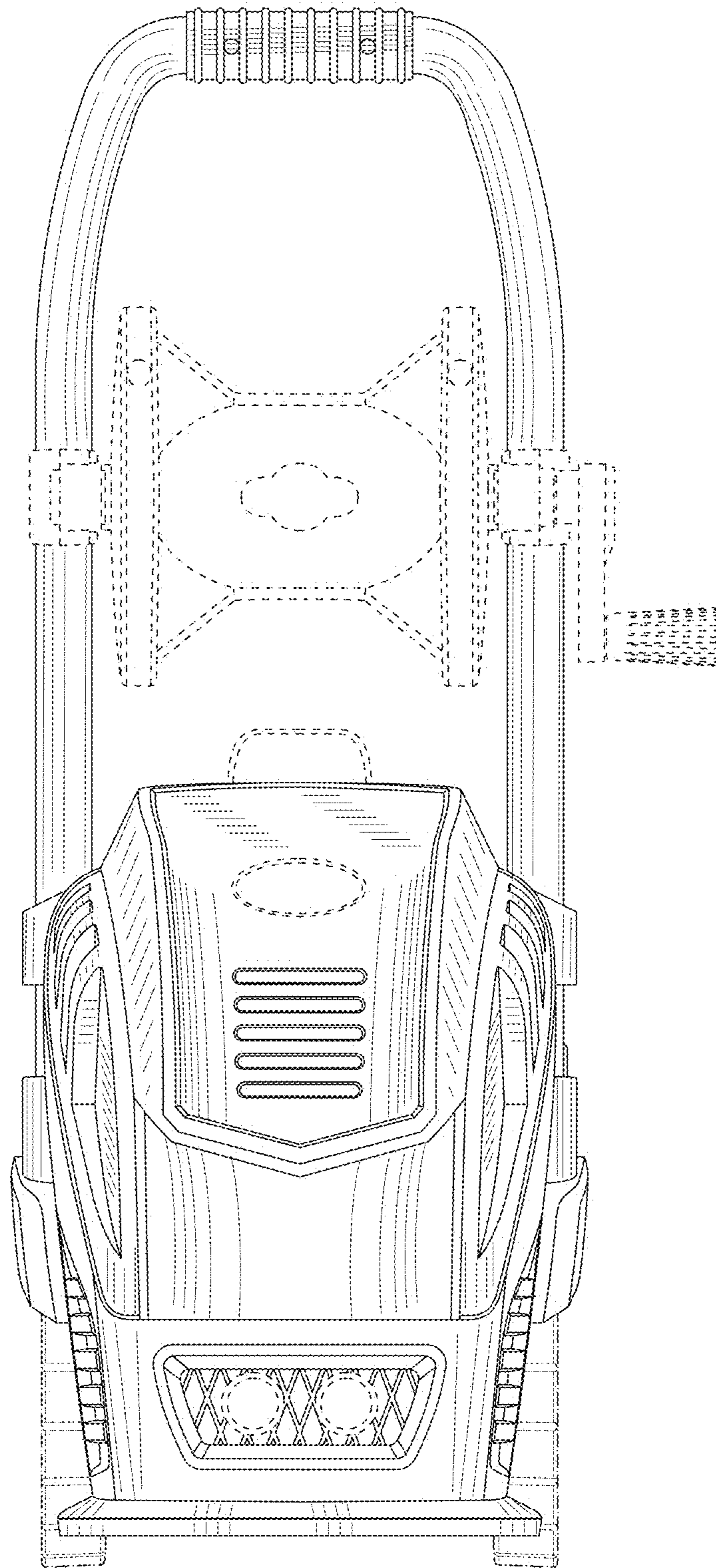


Fig. 2

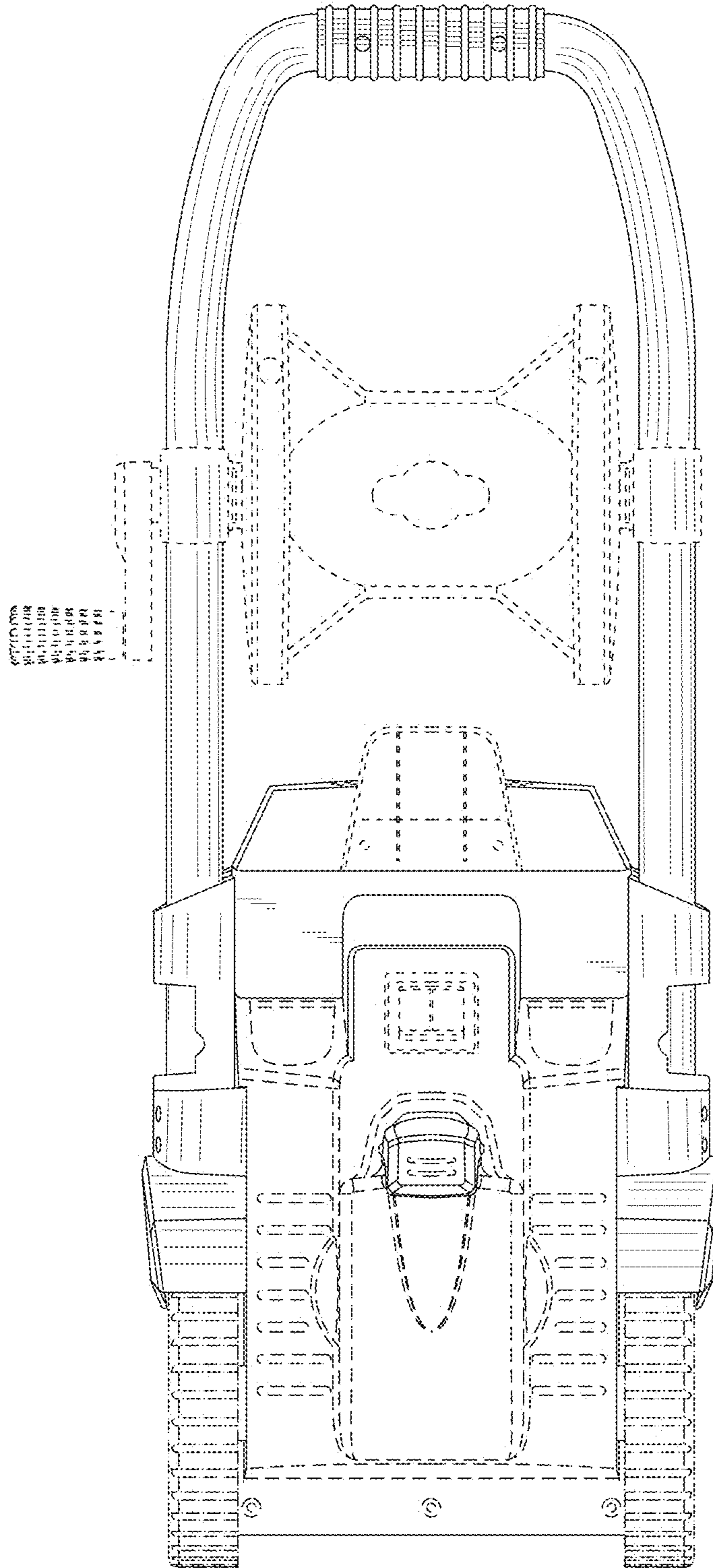


Fig. 3

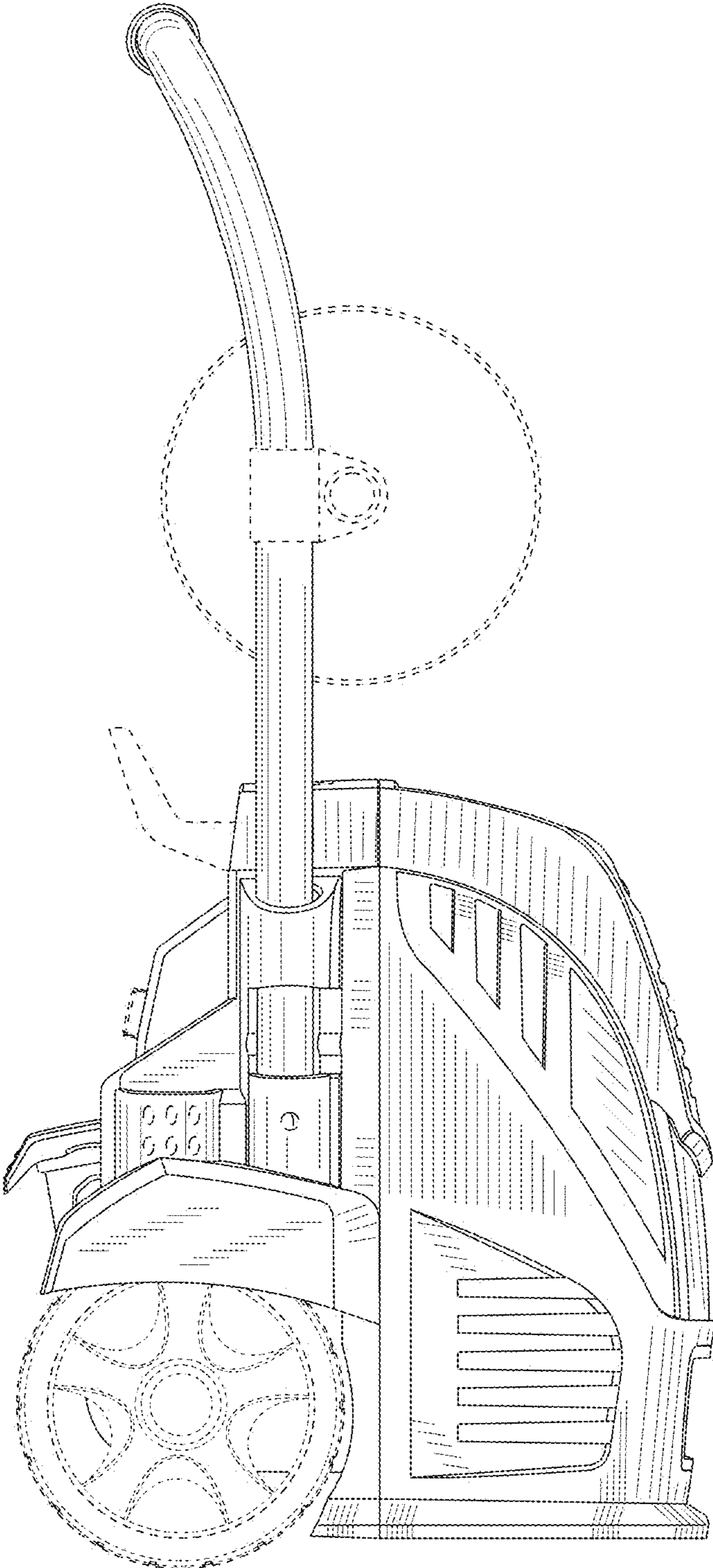


Fig. 4

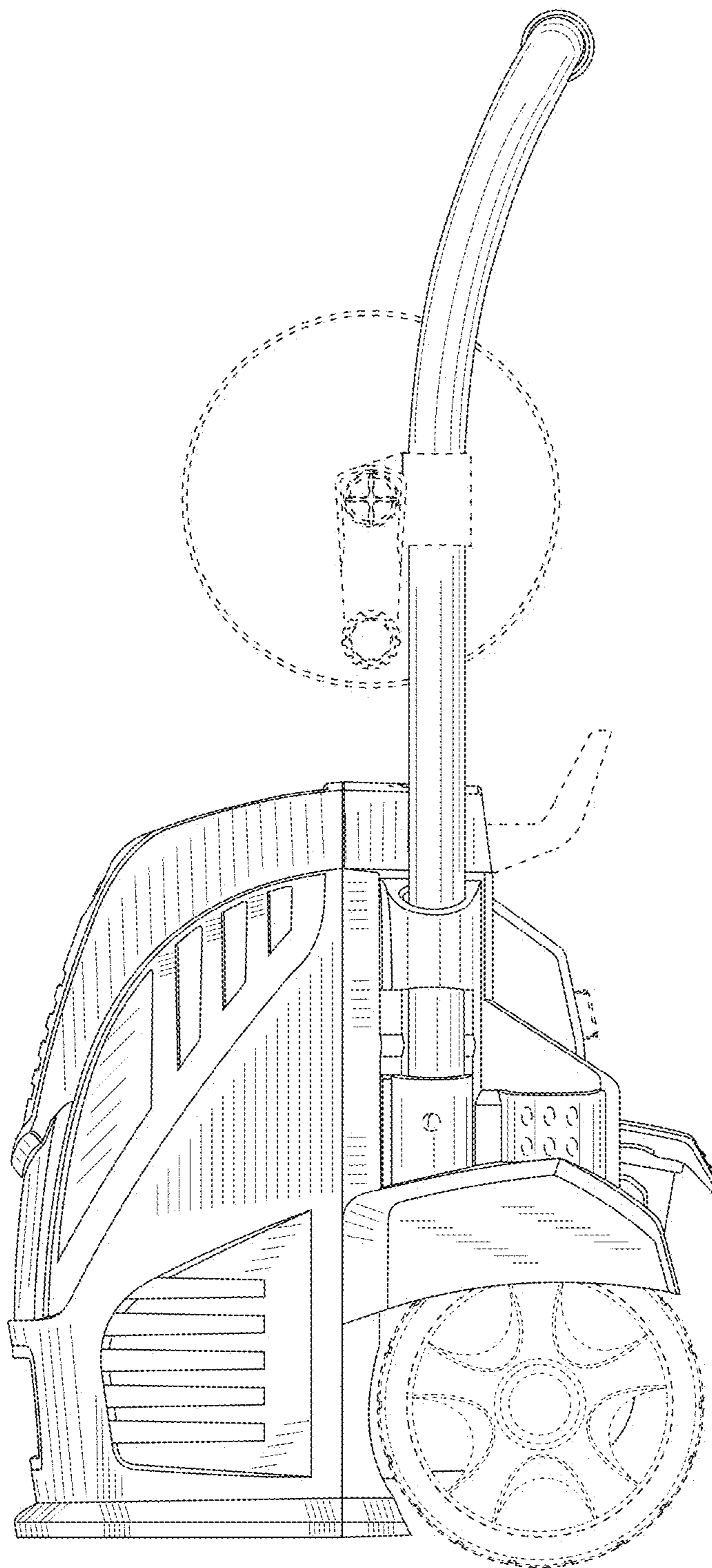


Fig. 5

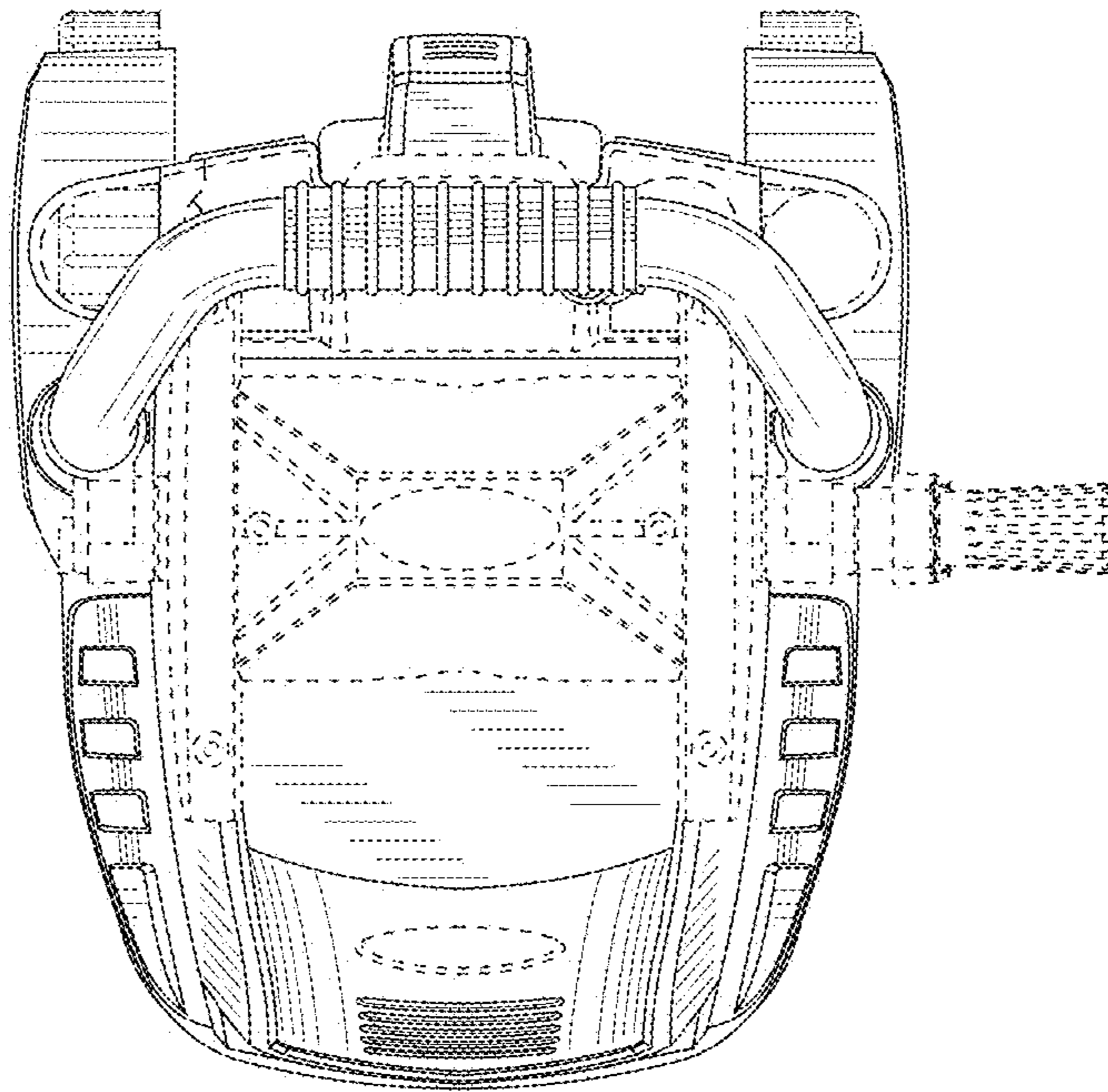


Fig. 6

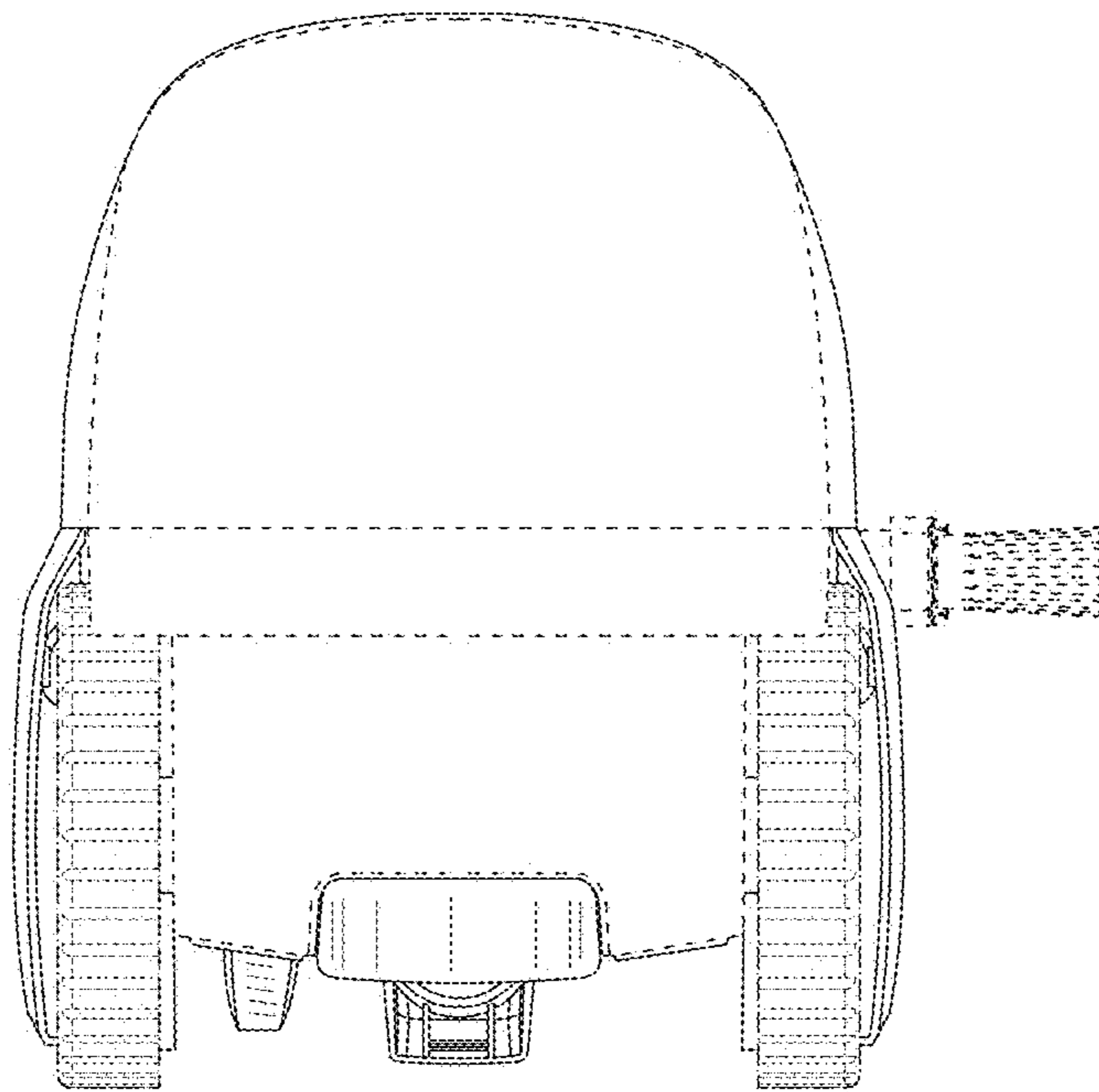


Fig. 7