



US00D711601S

(12) **United States Design Patent**
Robbins

(10) **Patent No.:** **US D711,601 S**

(45) **Date of Patent:** **** Aug. 19, 2014**

(54) **COMBINED BIODEGRADABLE LITTER BOX AND SPLASH GUARD**

(71) Applicant: **Litter One, LLC**, Hilliard, OH (US)

(72) Inventor: **Terry Robbins**, Waverly, OH (US)

(73) Assignee: **Litter One, LLC**, Hilliard, OH (US)

(**) Term: **14 Years**

(21) Appl. No.: **29/467,244**

(22) Filed: **Sep. 17, 2013**

Related U.S. Application Data

(60) Division of application No. 29/435,805, filed on Oct. 29, 2012, now Pat. No. Des. 690,059, which is a continuation-in-part of application No. 13/457,659, filed on Apr. 27, 2012.

(51) **LOC (10) Cl.** **30-99**

(52) **U.S. Cl.**
USPC **D30/161**

(58) **Field of Classification Search**
USPC D30/161-162, 199; 119/161, 163-170;
220/890; 229/102.5
See application file for complete search history.

(56) **References Cited**

U.S. PATENT DOCUMENTS

3,154,052	A *	10/1964	Sweeney	119/168
3,233,588	A *	2/1966	Thomas	119/166
3,581,977	A *	6/1971	Kirsky et al.	119/168
4,649,862	A *	3/1987	Neary	119/168
4,779,567	A *	10/1988	Smith	119/165
4,800,841	A	1/1989	Yananton et al.	
4,807,563	A *	2/1989	Berry et al.	119/168
4,967,692	A *	11/1990	Mills	119/168
4,976,218	A *	12/1990	Cirami	119/168
5,007,530	A *	4/1991	Weismantel	119/168
5,035,205	A *	7/1991	Schiller et al.	119/168

5,080,044	A *	1/1992	Bosworth	119/168
5,080,046	A *	1/1992	Cassone	119/168
5,211,134	A *	5/1993	Bolo, III	119/168
D340,323	S *	10/1993	Wagner	D30/161
5,303,675	A	4/1994	Van Den Bergh	
D372,565	S *	8/1996	Rice	D30/161
5,564,366	A	10/1996	Hancock	
6,382,131	B1 *	5/2002	McGivern	119/165
D498,025	S *	11/2004	Tessier et al.	D30/161
7,380,519	B2 *	6/2008	Ikegami et al.	119/167
D607,281	S *	1/2010	Meyers	D7/571
D613,914	S *	4/2010	Askinasi	D30/161
D652,587	S *	1/2012	Matsuo et al.	D30/161

(Continued)

Primary Examiner — Cathy A MacCormac

(74) *Attorney, Agent, or Firm* — Standley Law Group LLP

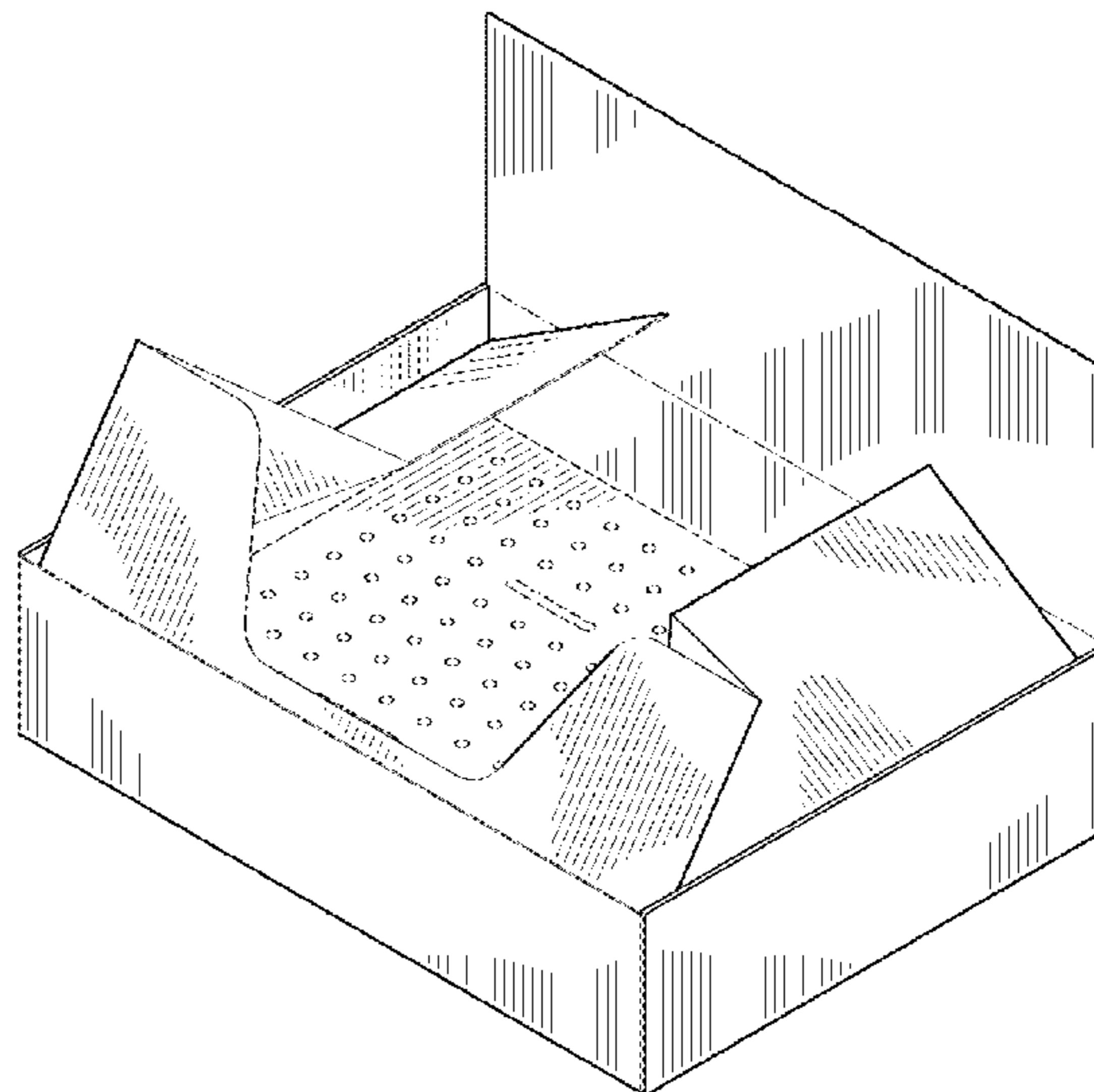
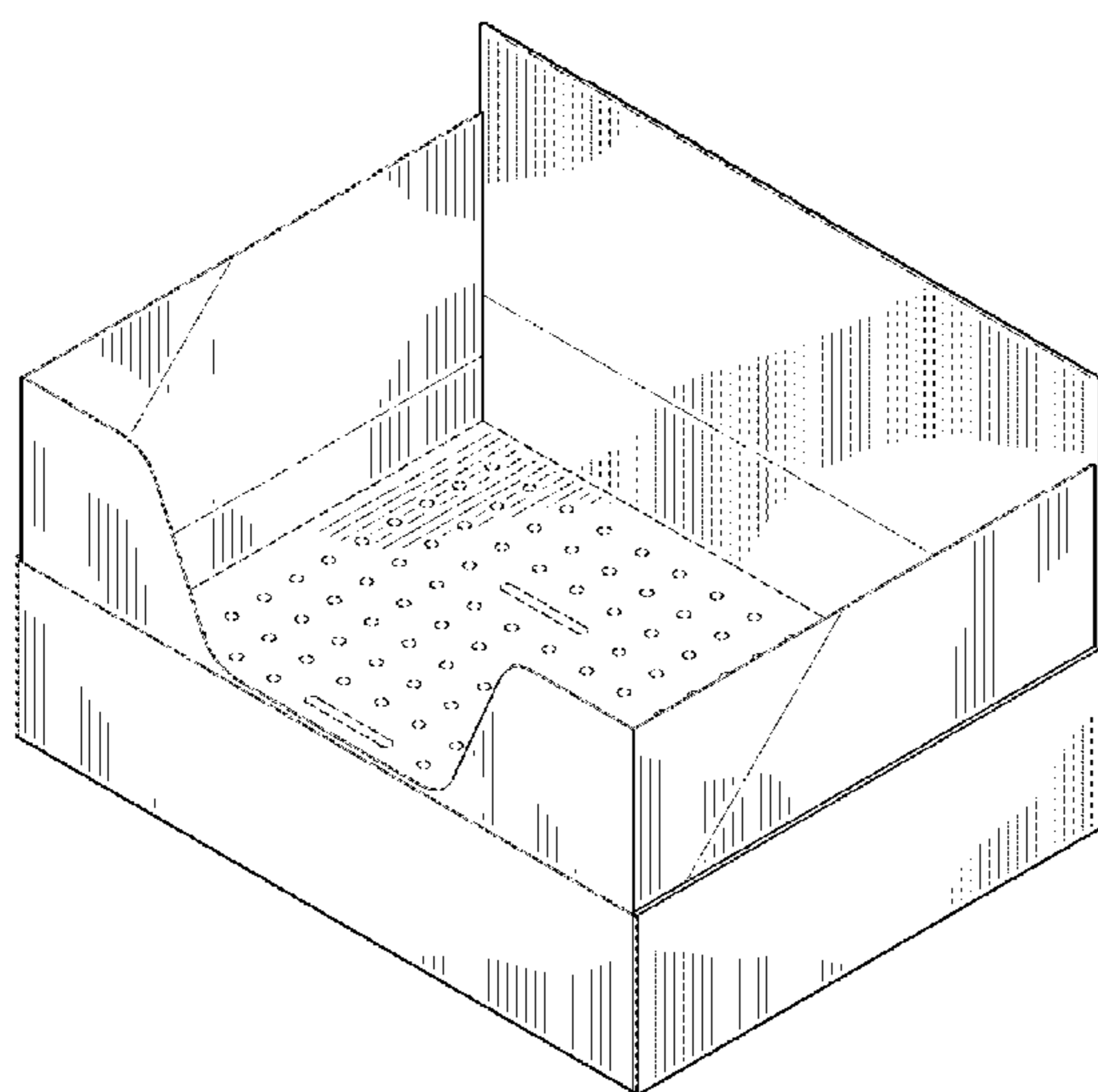
(57) **CLAIM**

The ornamental design for a combined biodegradable litter box and splash guard, as shown and described above.

DESCRIPTION

FIG. 1 is a front perspective view of a combined biodegradable litter box and splash guard;
 FIG. 2 is a rear perspective view thereof;
 FIG. 3 is a top plan view thereof;
 FIG. 4 is a front elevation view thereof;
 FIG. 5 is a right side elevation view thereof;
 FIG. 6 is a back elevation view thereof;
 FIG. 7 is a left side elevation view thereof;
 FIG. 8 is a bottom plan view thereof;
 FIG. 9 is a perspective view thereof showing the splash guard in an alternate position;
 FIG. 10 is a perspective view thereof showing the splash guard in a collapsed position; and,
 FIG. 11 is another rear perspective view thereof showing the cover in an alternate position.
 The broken lines are for illustration only and form no part of the claimed design.

1 Claim, 5 Drawing Sheets



US D711,601 S

Page 2

(56)

References Cited

U.S. PATENT DOCUMENTS

	2004/0244707	A1	12/2004	Sannikka	
	2004/0261727	A1*	12/2004	Matsuo et al.	119/170
	2009/0260578	A1	10/2009	Yamamoto et al.	
D692,192	S	*	10/2013	Graves et al.	D30/161

* cited by examiner

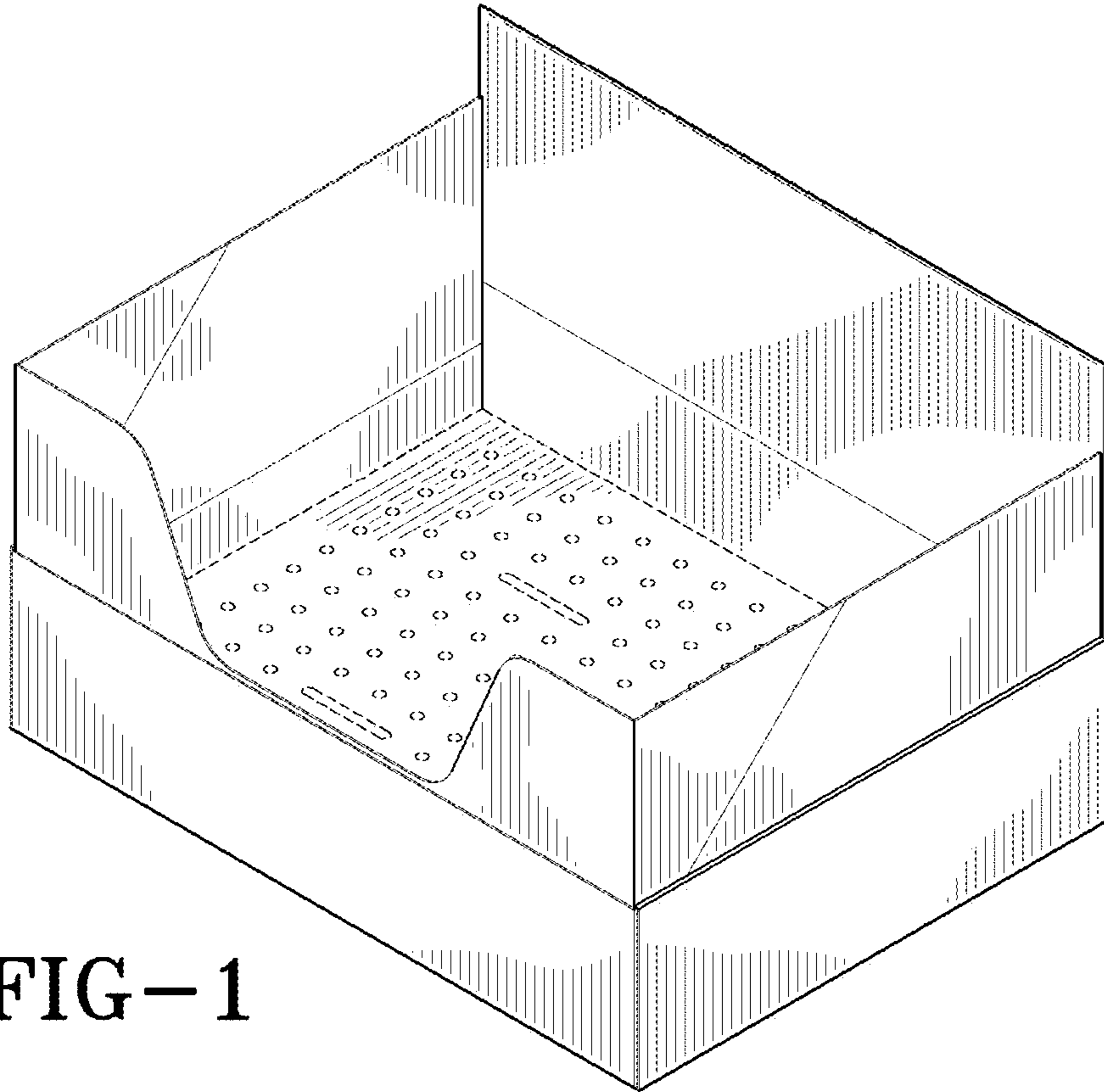


FIG-1

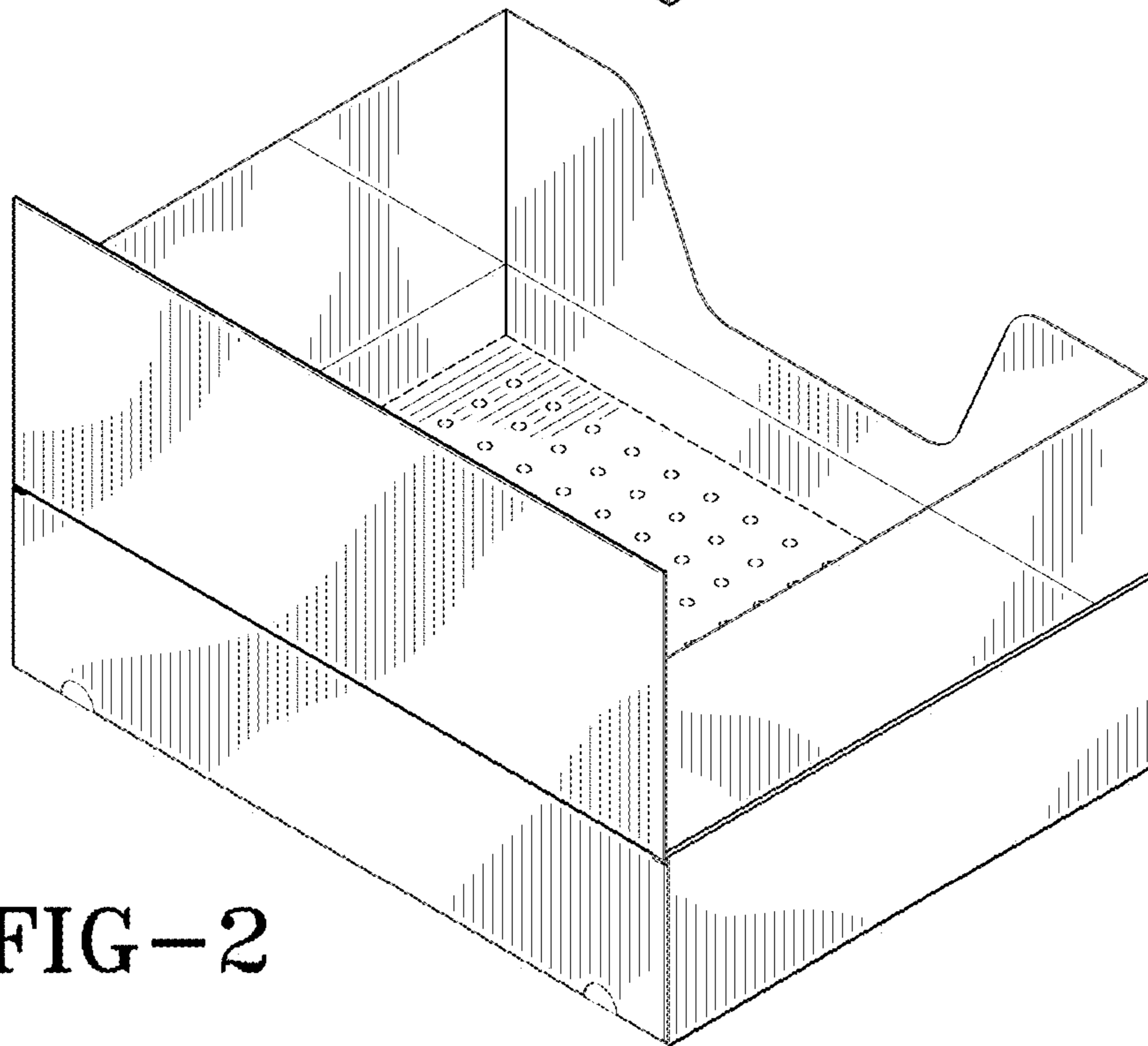


FIG-2

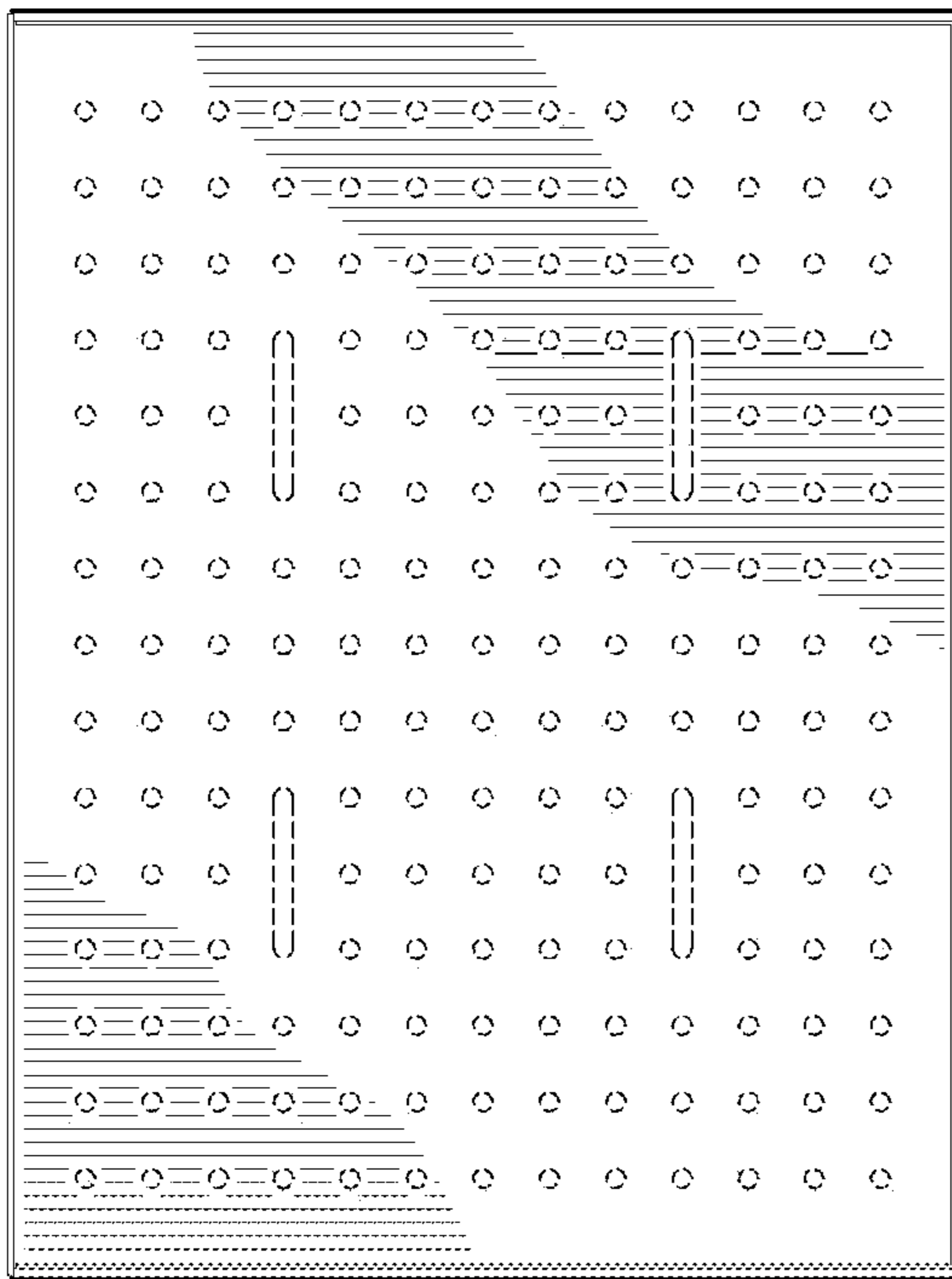


FIG-3

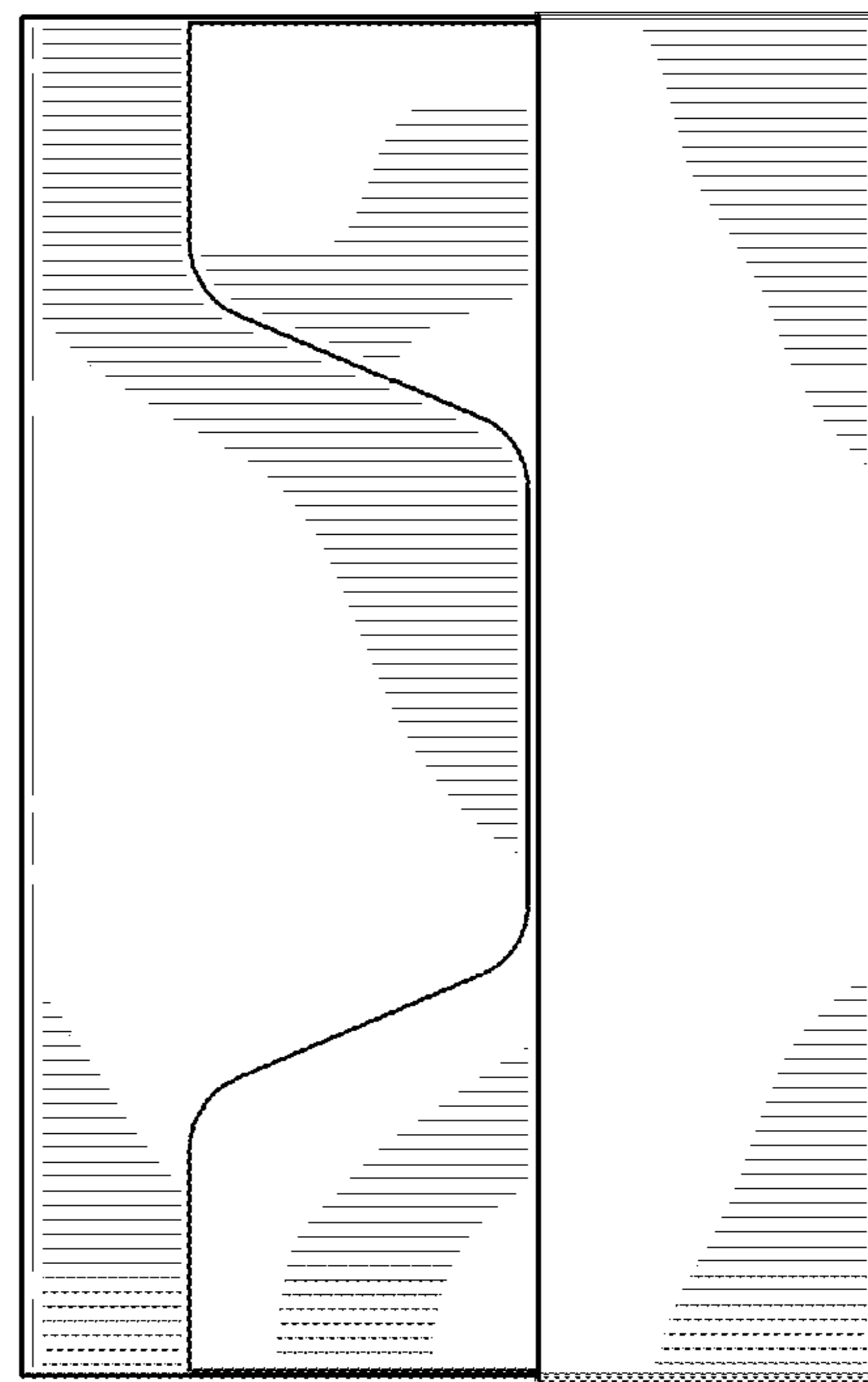


FIG-4

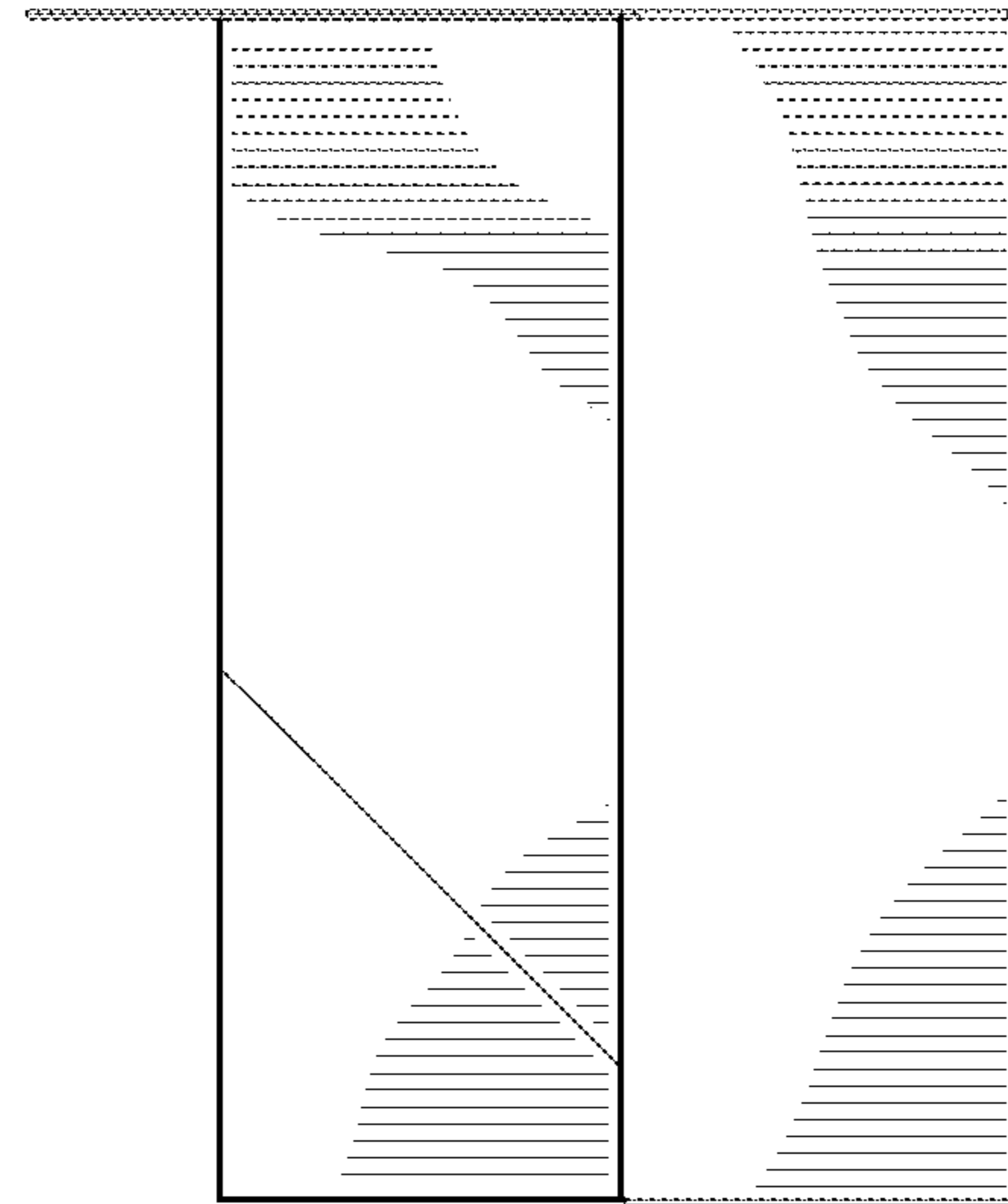


FIG-5

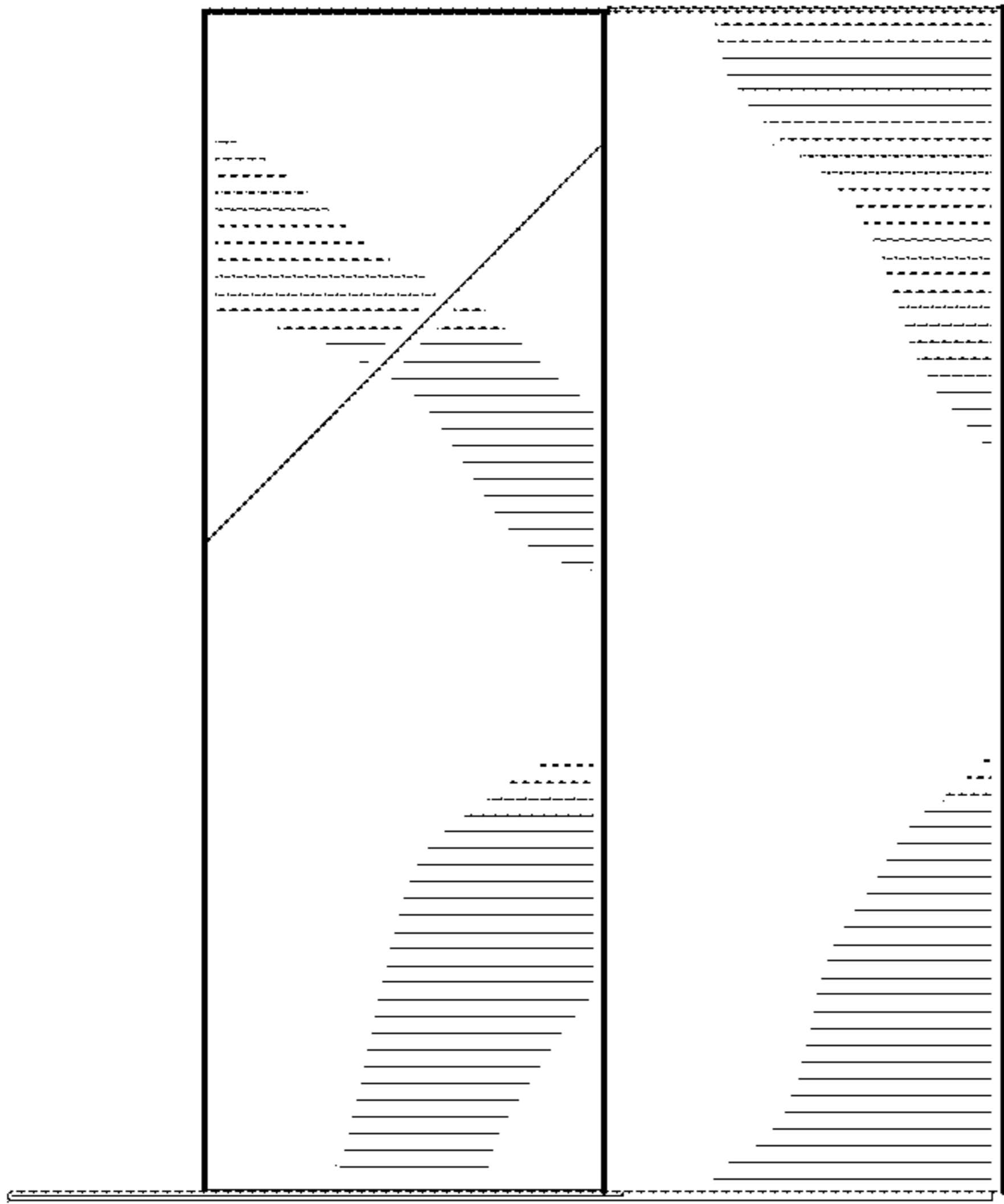


FIG-7

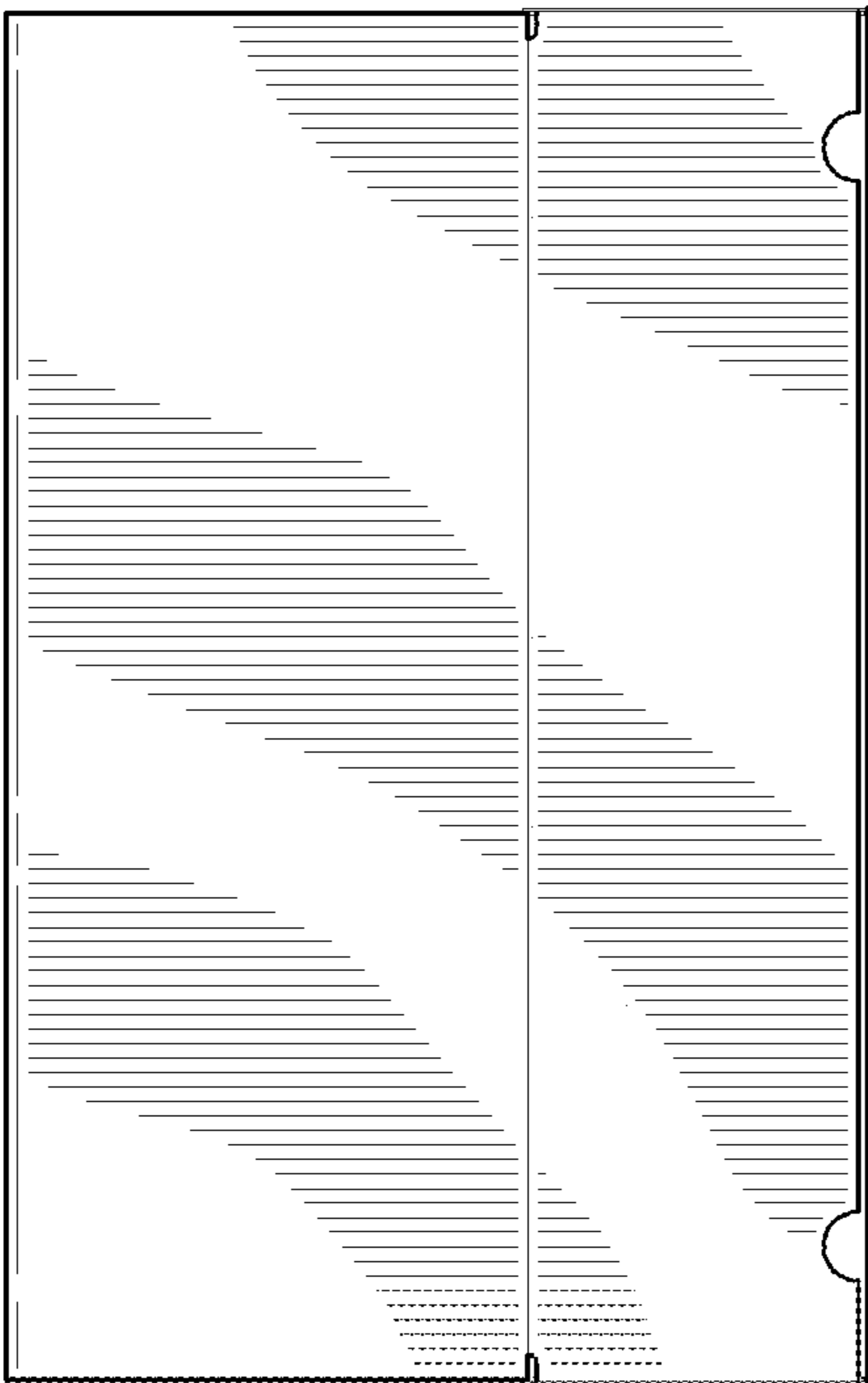


FIG-6

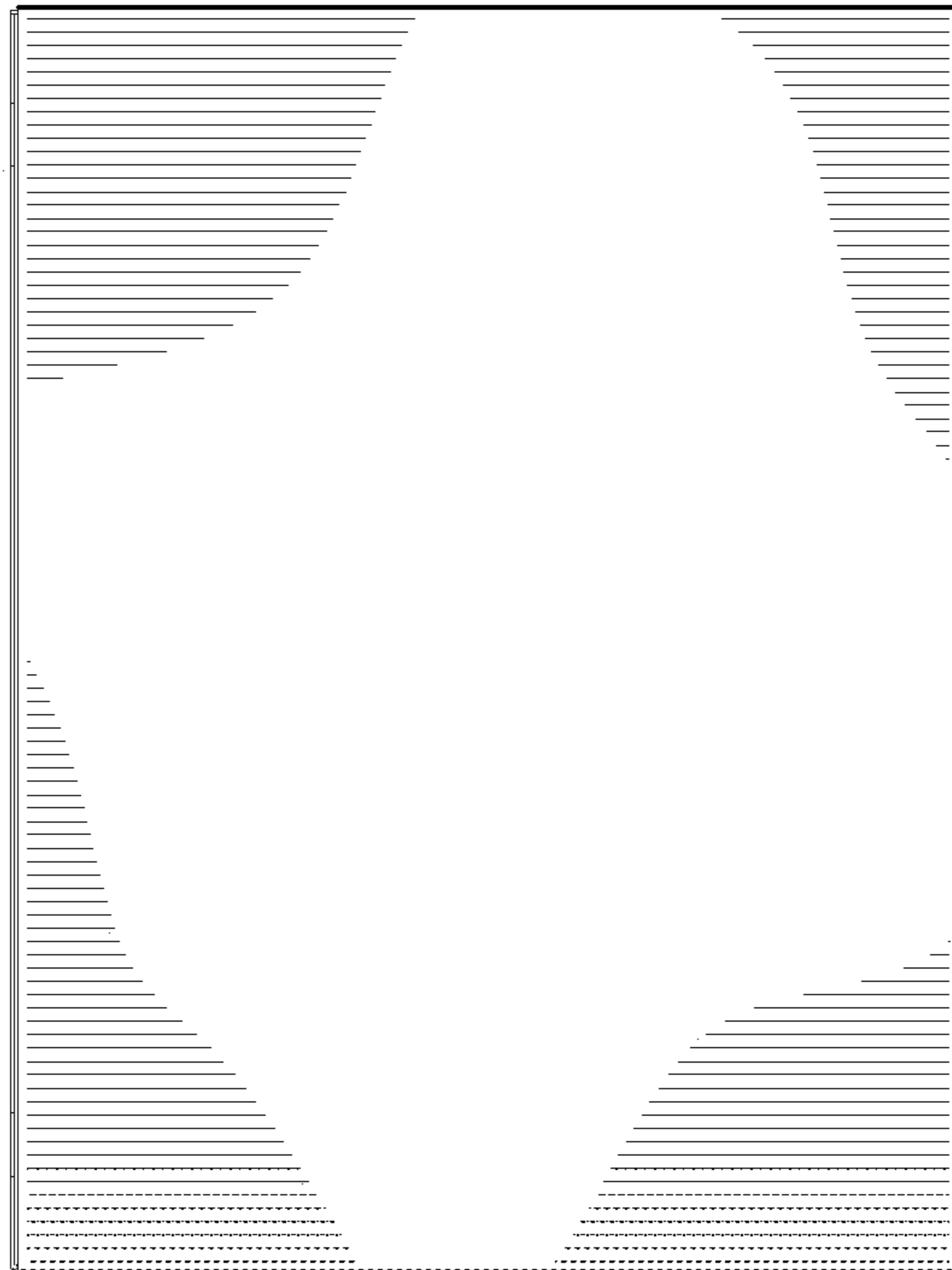


FIG-8

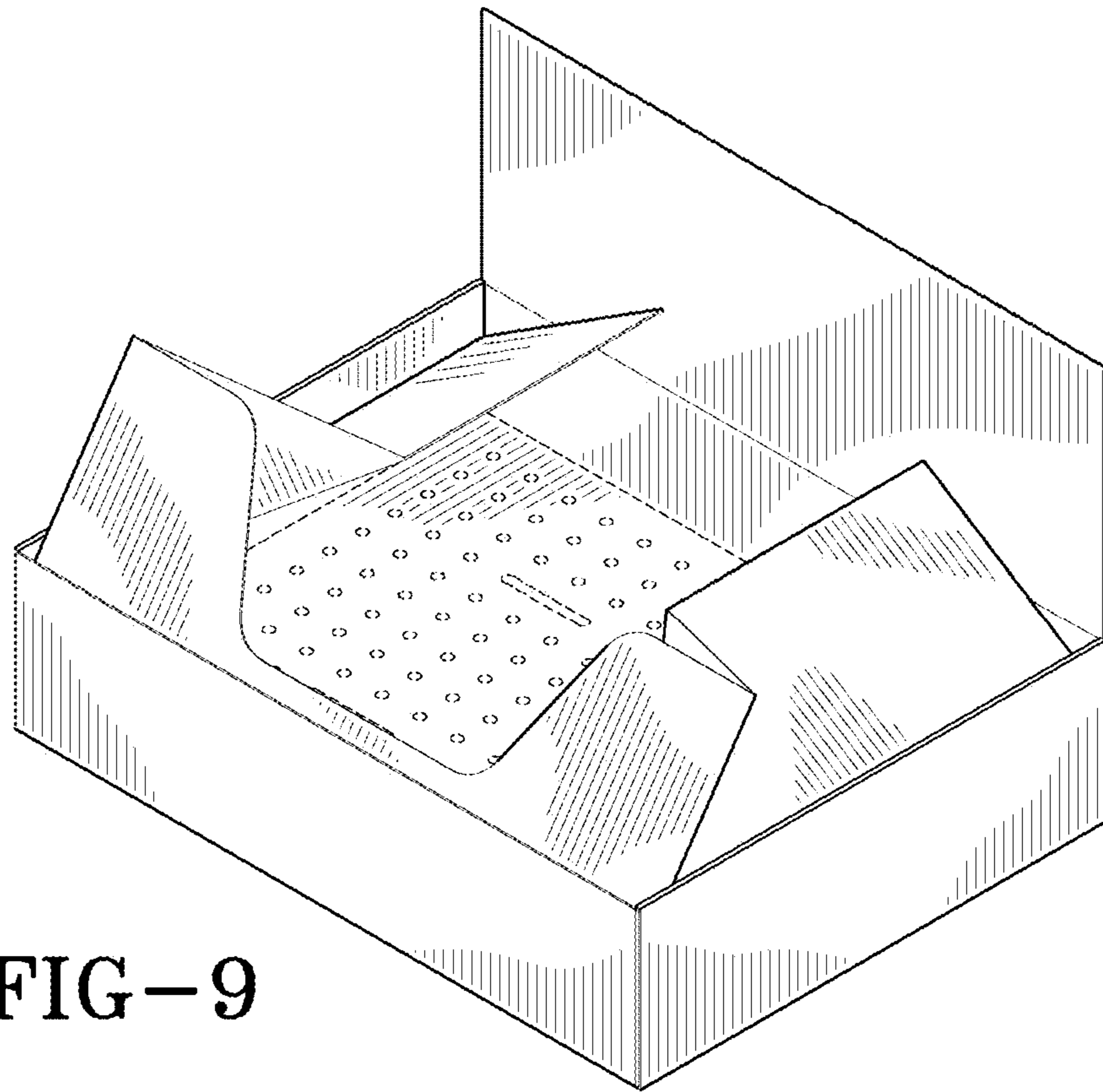


FIG-9

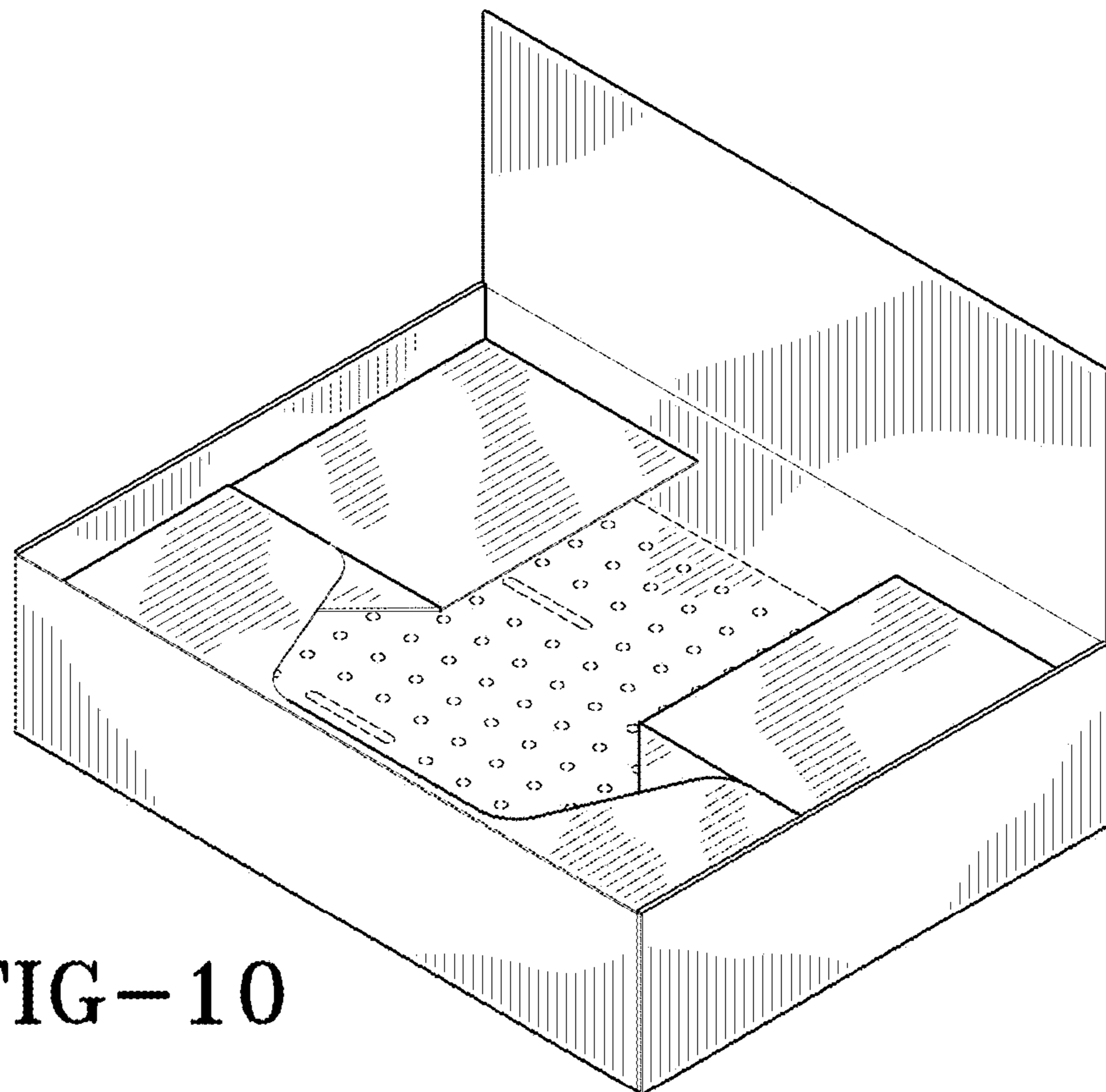


FIG-10

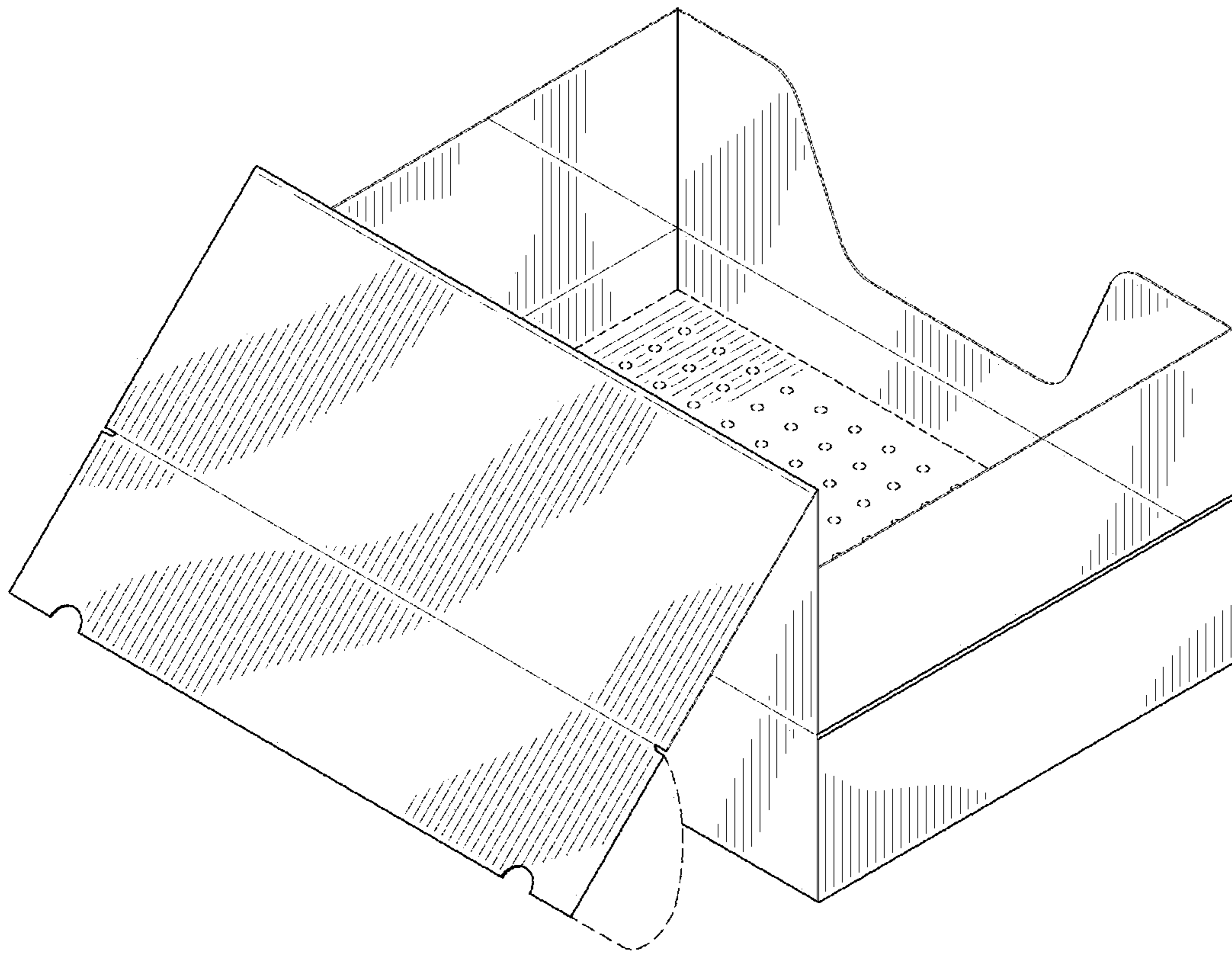


FIG-11