



US00D711597S

(12) **United States Design Patent**
Bickel, Jr.

(10) **Patent No.:** **US D711,597 S**

(45) **Date of Patent:** **** Aug. 19, 2014**

(54) **PET ENCLOSURE**

(71) Applicant: **Dale R. Bickel, Jr.**, Phillipsburg, NJ
(US)

(72) Inventor: **Dale R. Bickel, Jr.**, Phillipsburg, NJ
(US)

(**) Term: **14 Years**

(21) Appl. No.: **29/450,447**

(22) Filed: **Mar. 18, 2013**

(51) **LOC (10) CL.** **30-02**

(52) **U.S. CL.**
USPC **D30/114**

(58) **Field of Classification Search**
USPC D30/108, 110, 111, 112, 114, 118, 124,
D30/126; 119/28.5, 329, 335, 336, 347,
119/432, 452-453, 461-462, 468, 472-474,
119/482, 487, 501, 512-513, 537
See application file for complete search history.

(56) **References Cited**

U.S. PATENT DOCUMENTS

579,612	A *	3/1897	Stevens	119/453
D43,458	S *	1/1913	Ferris	D30/114
2,610,830	A *	9/1952	Beatty	119/513
2,661,800	A *	12/1953	Reichenbach	119/476
2,789,531	A *	4/1957	Diefendorf	119/461
2,892,562	A *	6/1959	Smithson	119/461
4,202,292	A *	5/1980	Strickland	119/502
4,445,459	A	5/1984	Julie	
D274,152	S *	6/1984	Fleming	D30/116
4,696,259	A *	9/1987	Fewox	119/482
4,735,173	A *	4/1988	Dubreuil	119/512
4,788,934	A	12/1988	Fetter	
4,819,582	A *	4/1989	Lichvar	119/474
D307,955	S *	5/1990	Tominaga	D30/112
4,989,546	A	2/1991	Cannaday	
5,010,848	A *	4/1991	Rankin	119/461

D317,216	S	5/1991	Cutrone	
5,167,202	A	12/1992	Bradford et al.	
5,170,746	A *	12/1992	Roose	119/512
D357,558	S *	4/1995	Johnson	D30/114
5,522,344	A	6/1996	Demurjian	
5,653,194	A *	8/1997	Guy	119/453
D389,960	S	1/1998	Mele	
5,765,505	A *	6/1998	Yun	119/432
6,401,663	B1	6/2002	Meier, Jr.	
6,681,720	B1 *	1/2004	Skurdalsvold et al.	119/474
6,883,463	B2 *	4/2005	Link	119/474
7,059,274	B2 *	6/2006	Cheng	119/452
D652,999	S *	1/2012	Jakubowski et al.	D30/114
8,141,517	B2 *	3/2012	Shimoda et al.	119/473
2006/0042558	A1	3/2006	Stephens	

* cited by examiner

Primary Examiner — Cathy A MacCormac
(74) *Attorney, Agent, or Firm* — Robert C. Montgomery;
Montgomery Patent & Design

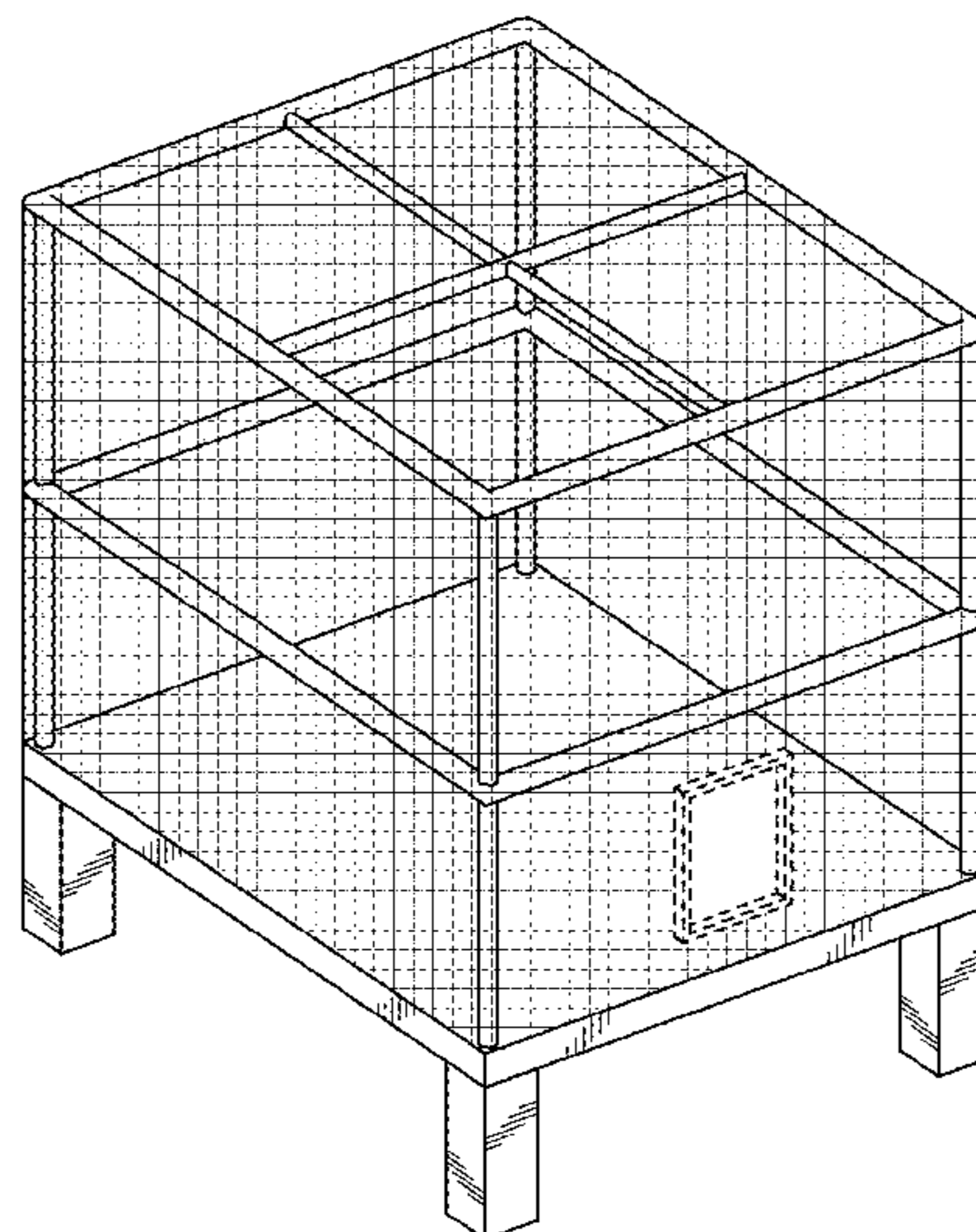
(57) **CLAIM**

The ornamental design for a pet enclosure, as shown and described.

DESCRIPTION

FIG. 1 is an isometric view of a pet enclosure;
FIG. 2 is a front view thereof;
FIG. 3 is a rear view thereof;
FIG. 4 is a left hand side view thereof, wherein a right hand side view is a mirror image of the left hand side view;
FIG. 5 is a top view thereof;
FIG. 6 is a bottom view thereof;
FIG. 7 is another isometric view thereof showing the frame without the screened confinement; and,
FIG. 8 is another isometric view of only the screened confinement portion.
The broken lines shown in the drawings illustrate the bounds of the non-claimed subject matter, are for illustration only and form no part of the claimed design.

1 Claim, 8 Drawing Sheets



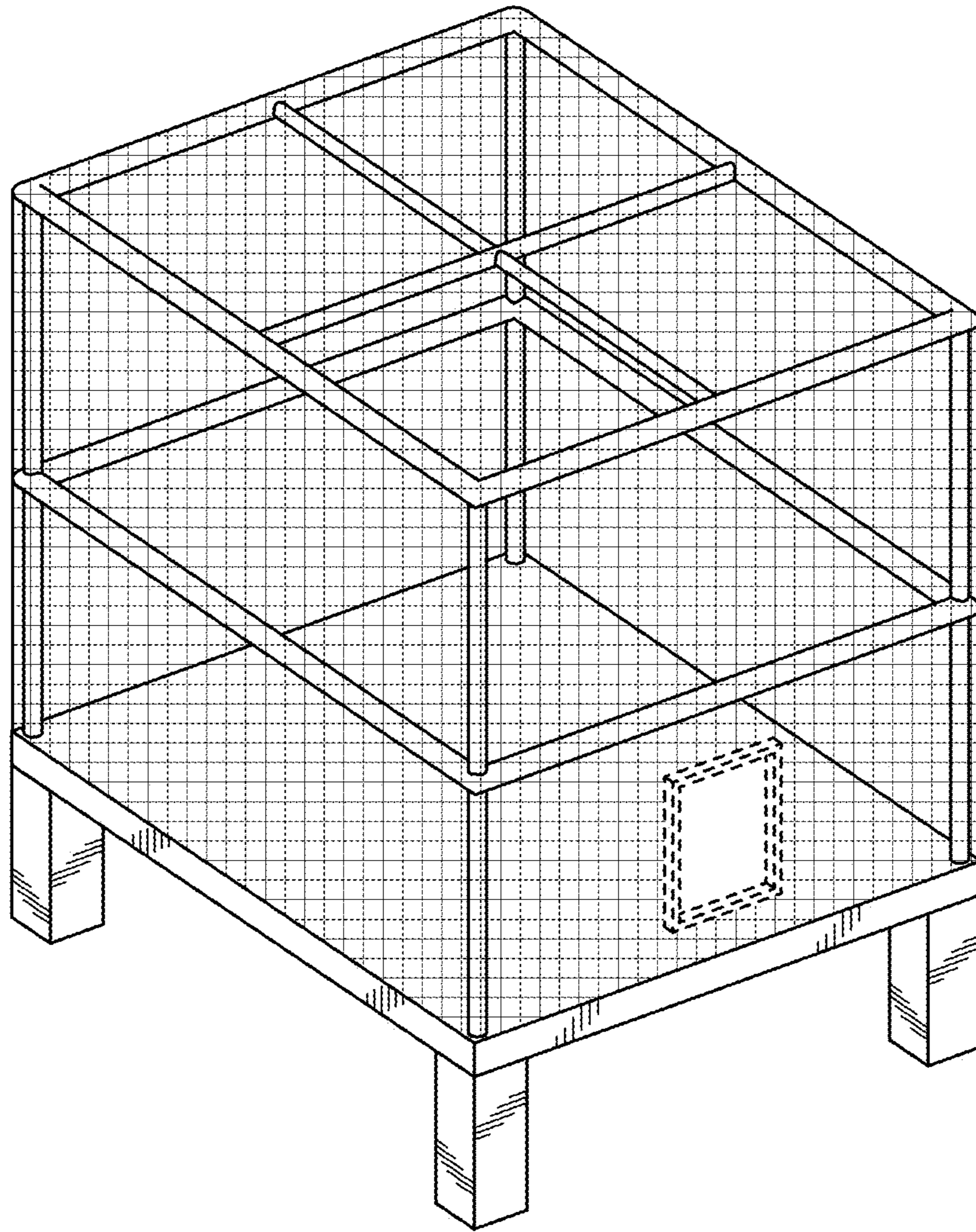


Fig. 1

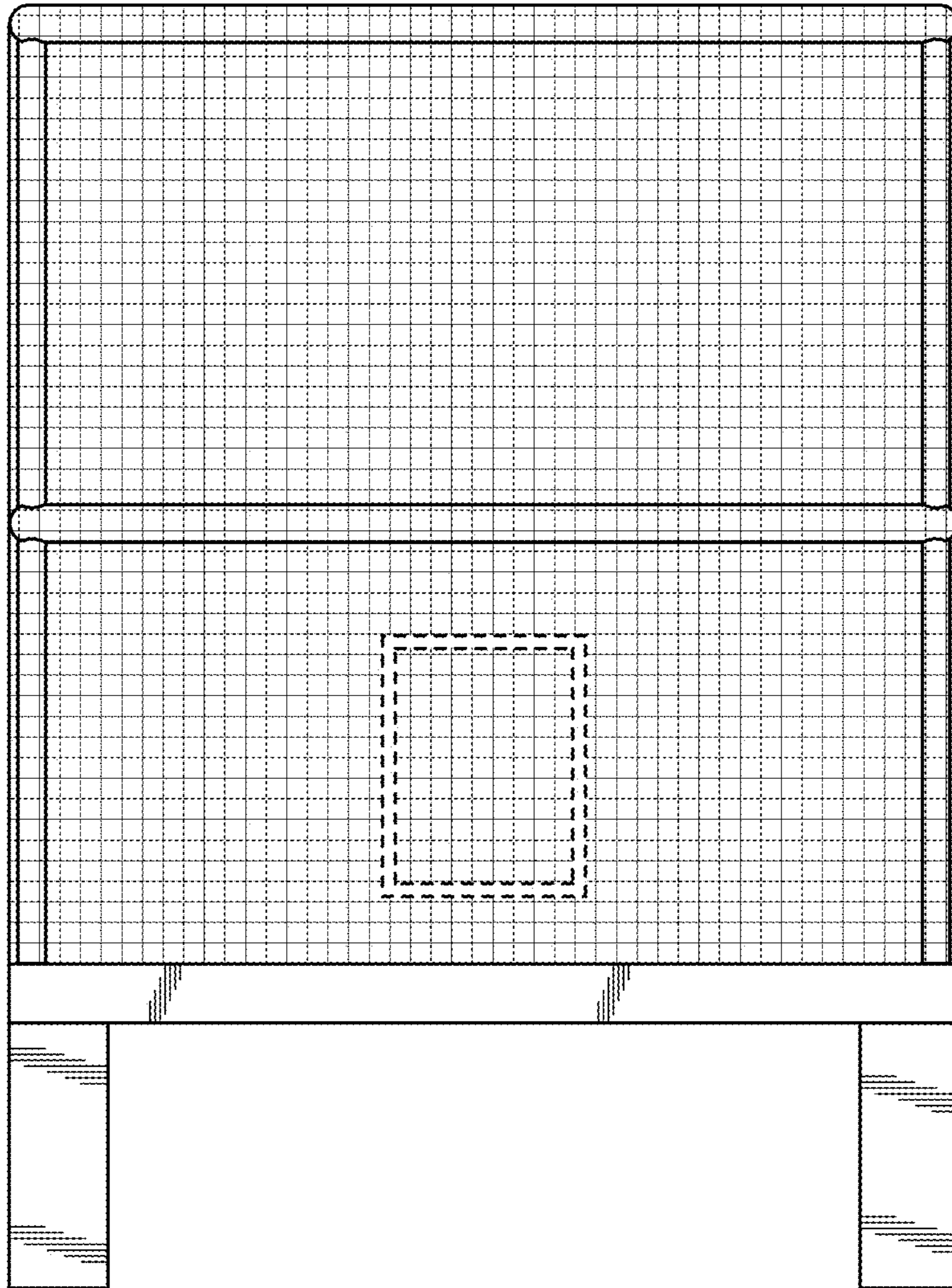


Fig. 2

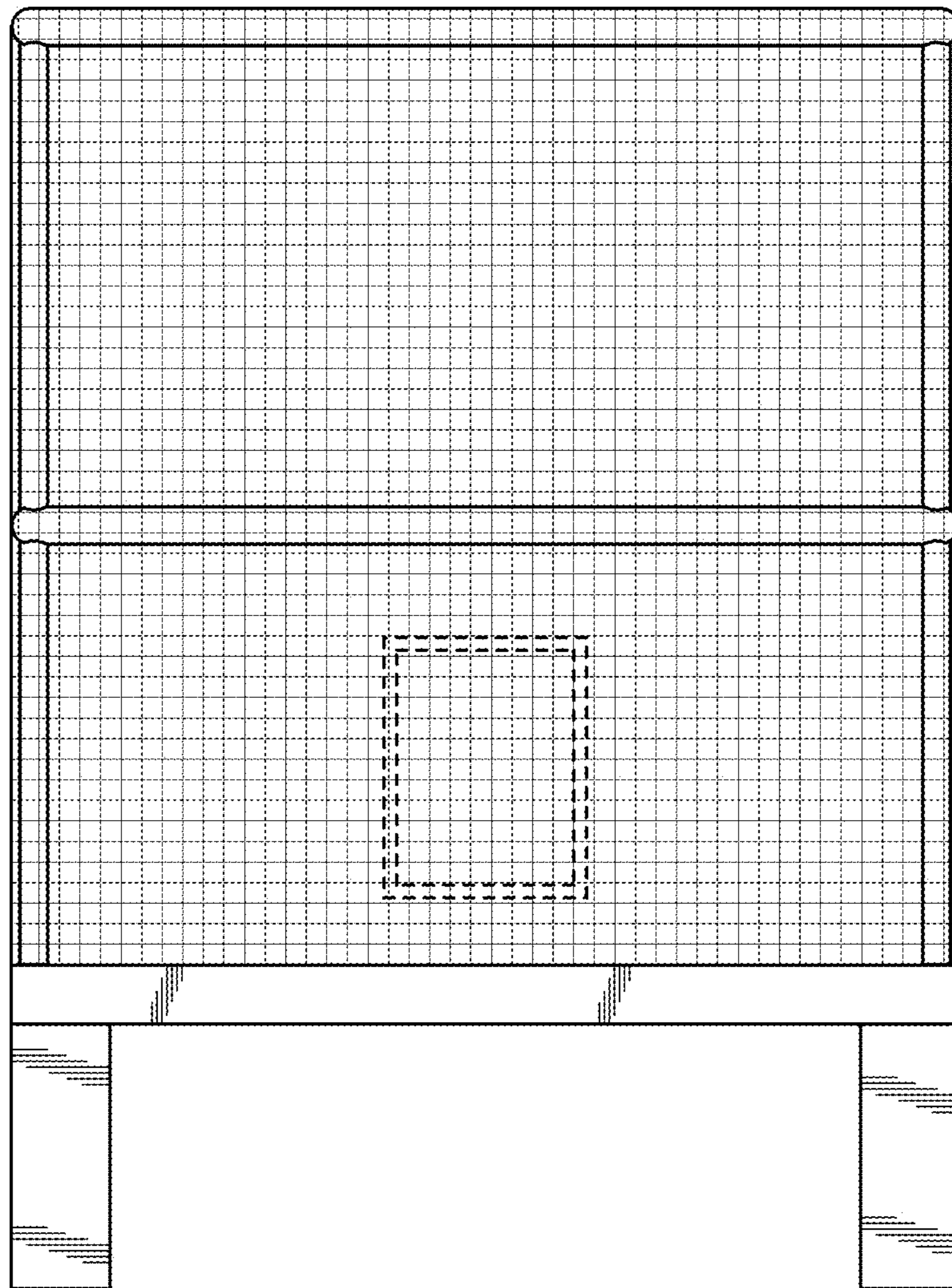


Fig. 3

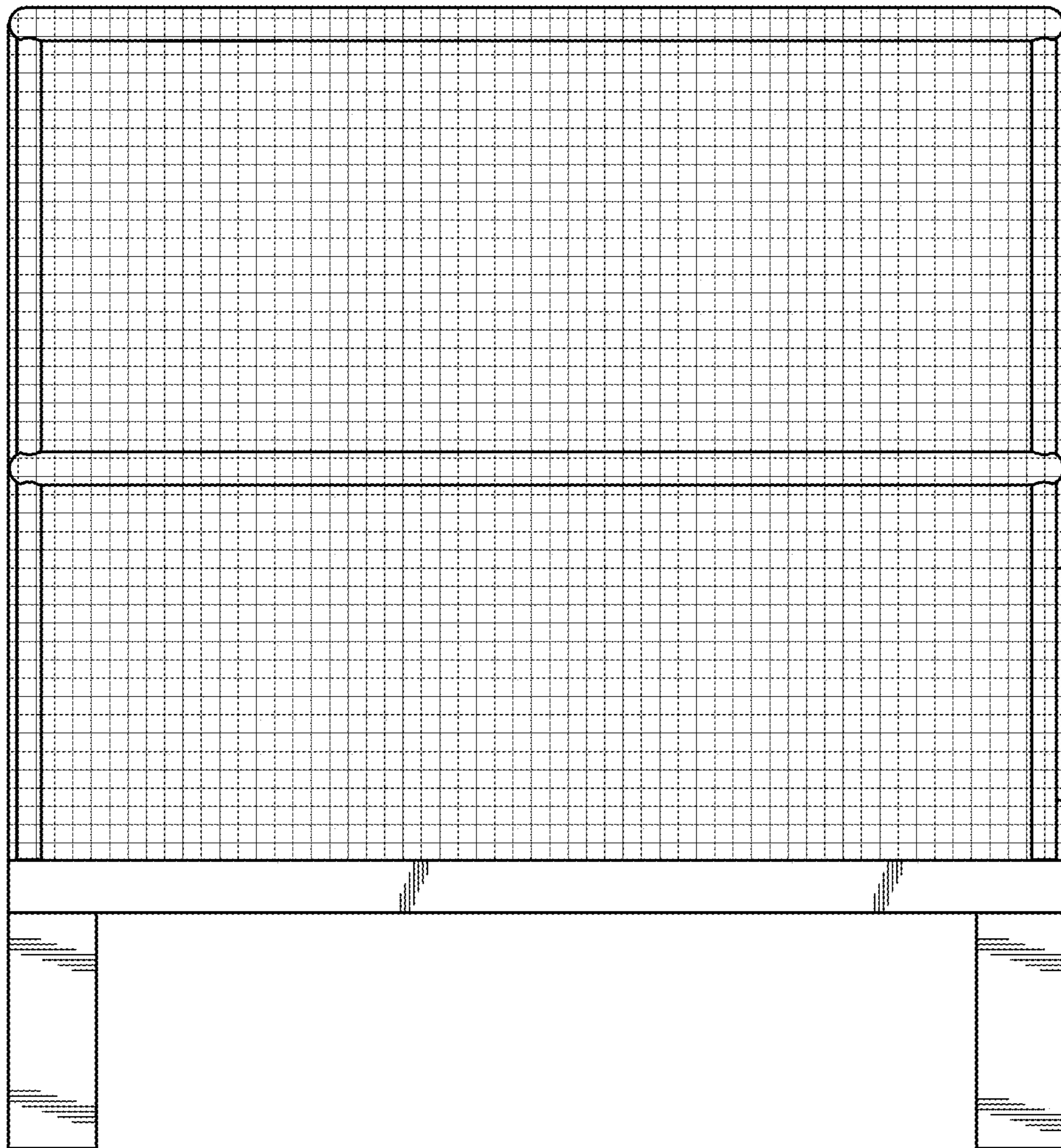


Fig. 4

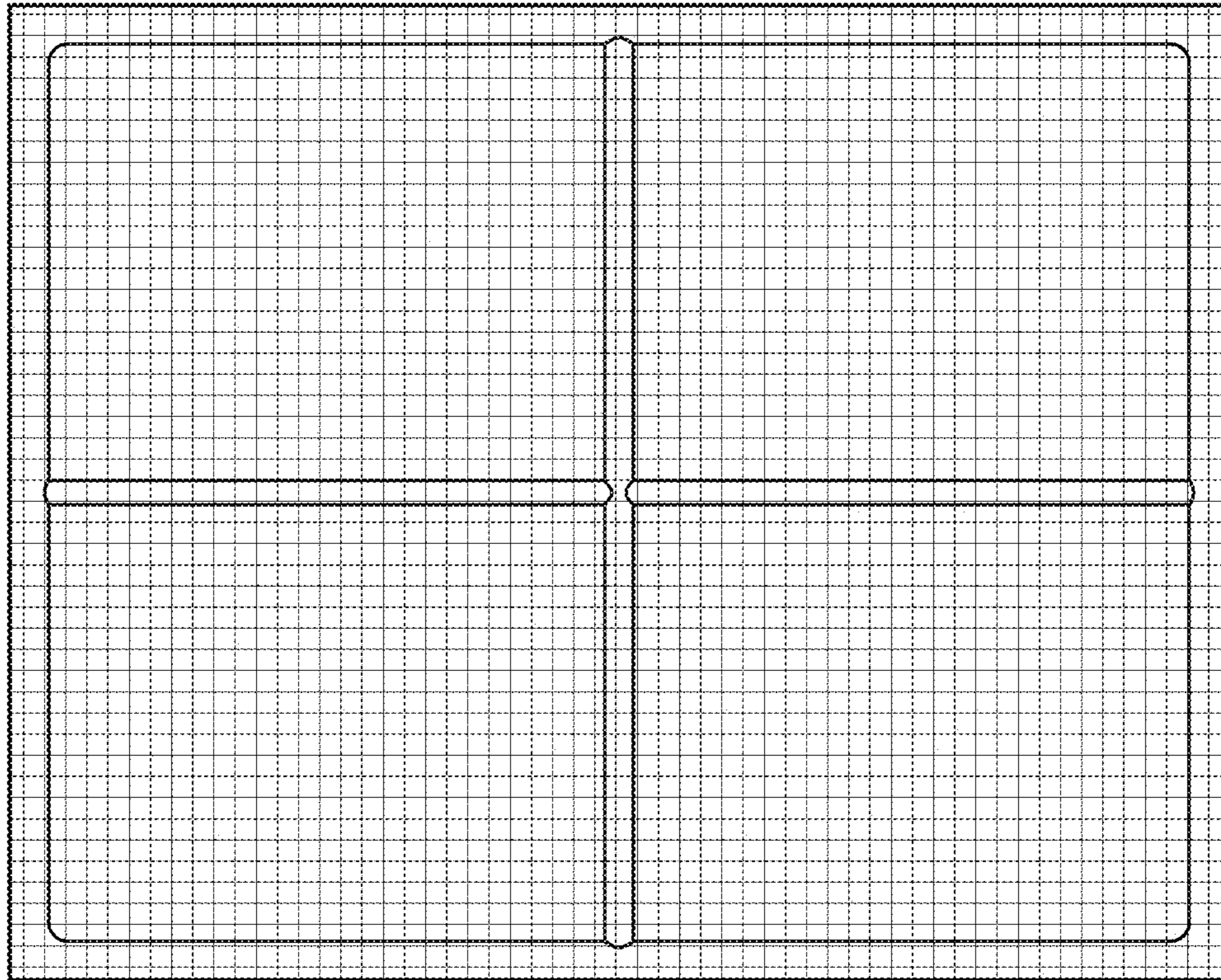


Fig. 5

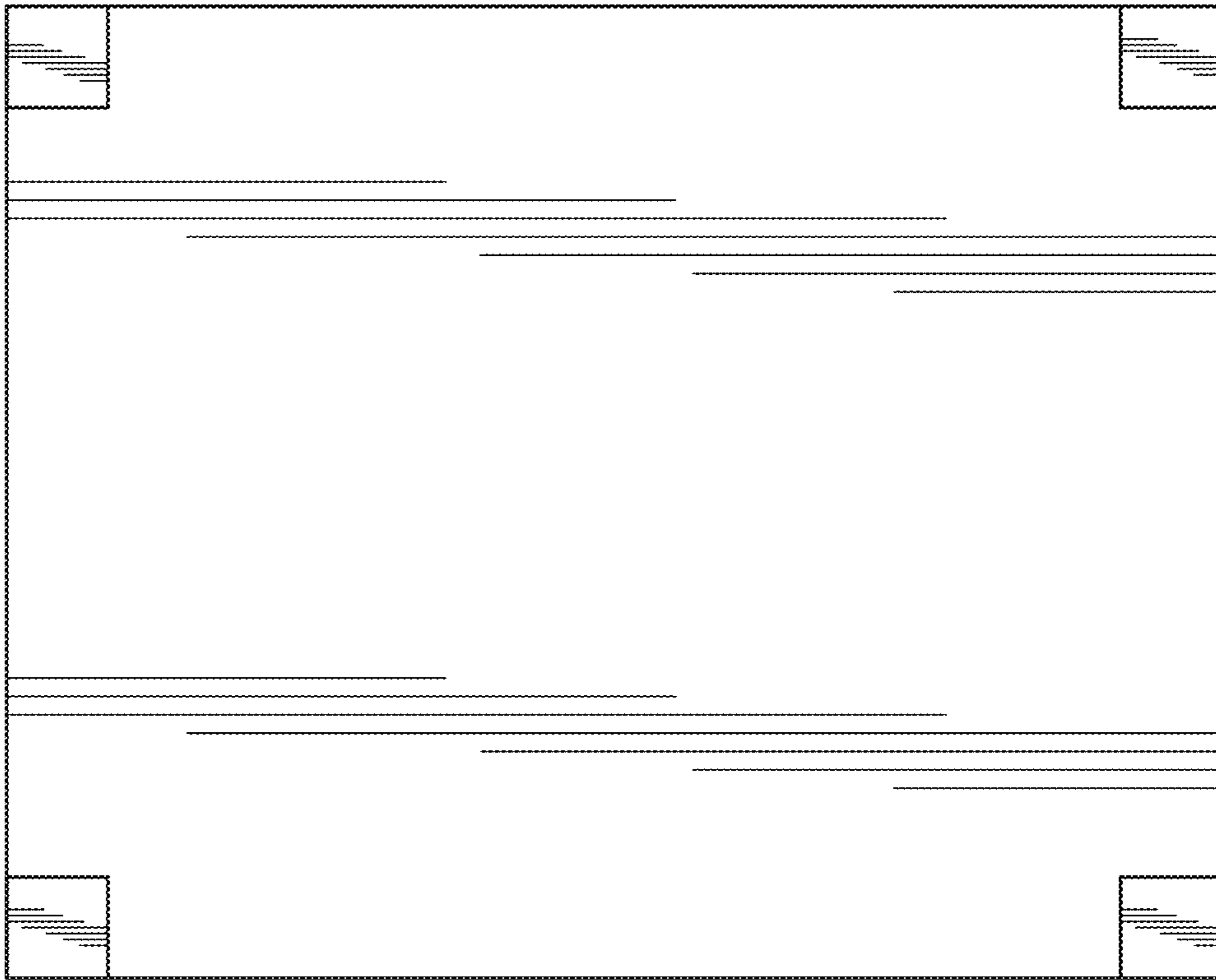


Fig. 6

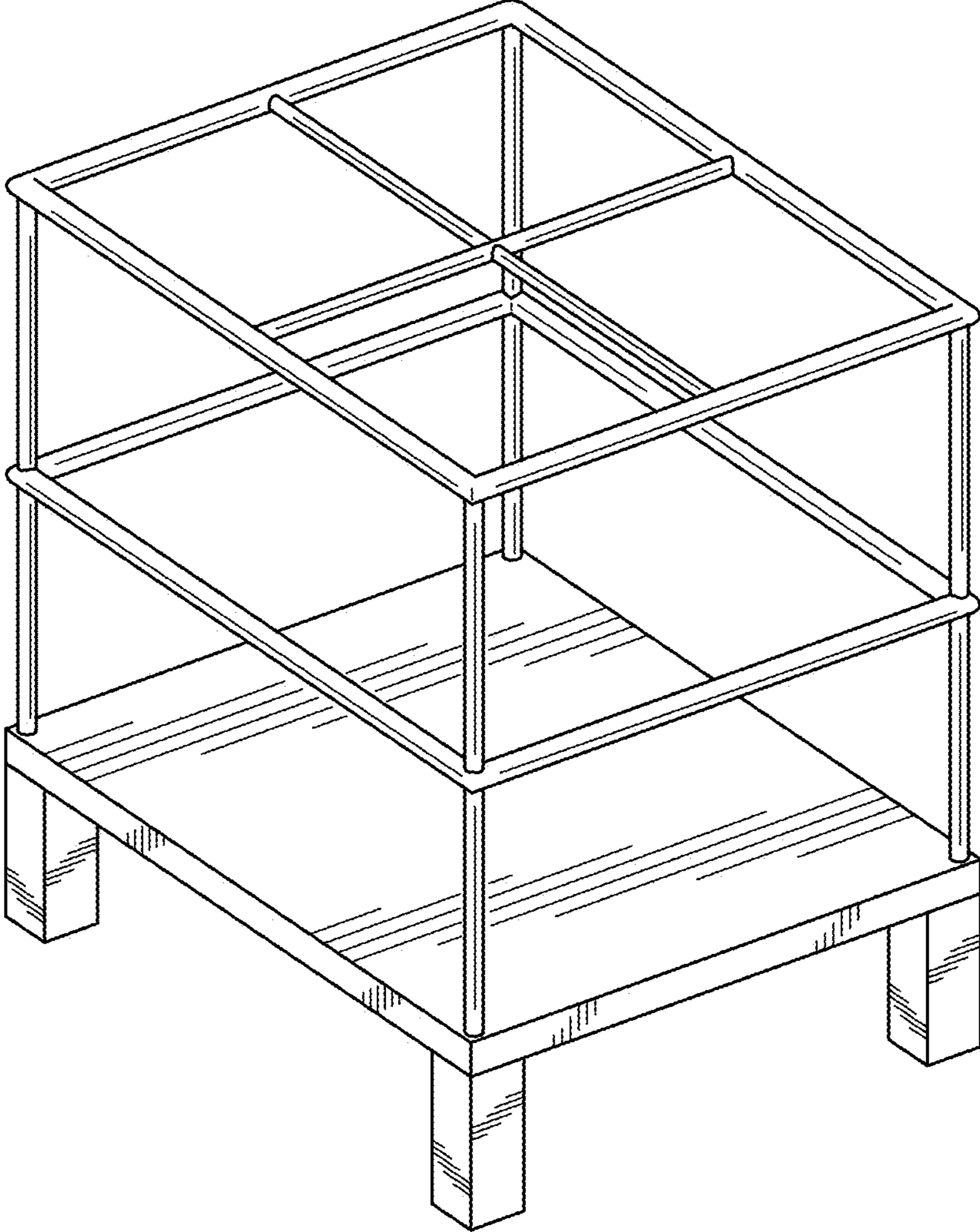


Fig. 7

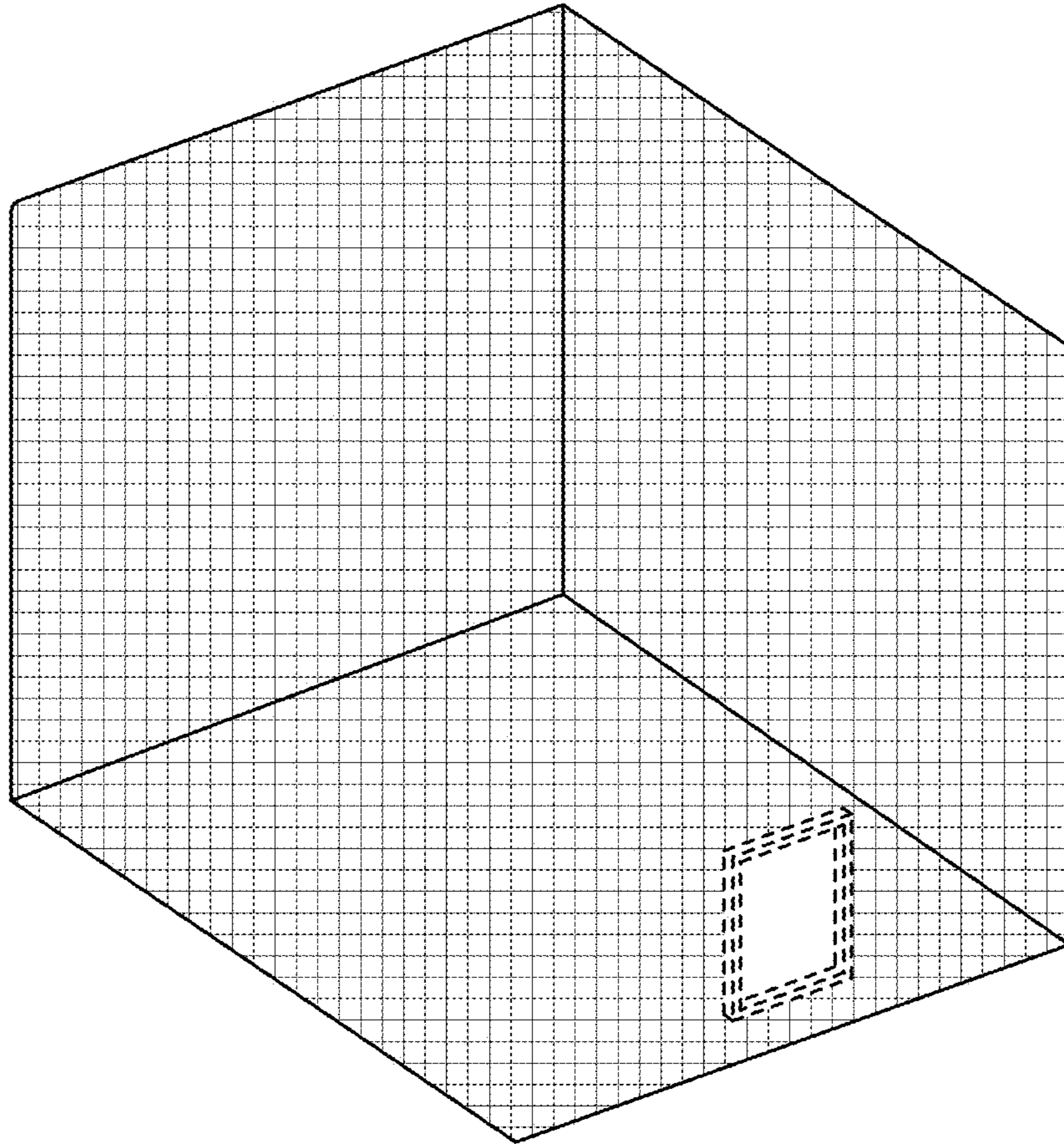


Fig. 8