



US00D711595S

(12) **United States Design Patent**
Walker

(10) **Patent No.:** **US D711,595 S**

(45) **Date of Patent:** **** Aug. 19, 2014**

(54) **HAIR CLIPPER HOLDING SLEEVE**

(71) Applicant: **Daryl Walker**, Baton Rouge, LA (US)

(72) Inventor: **Daryl Walker**, Baton Rouge, LA (US)

(**) Term: **14 Years**

(21) Appl. No.: **29/453,985**

(22) Filed: **May 3, 2013**

(51) **LOC (10) Cl.** **28-03**

(52) **U.S. Cl.**
USPC **D28/73**

(58) **Field of Classification Search**

USPC D28/49-54, 44-48, 73; 30/34.05, 32,
30/34.1, 34.2, 43-43.92, 526-527, 44-45,
30/341, 195-22, 272.1, 226-227, 231,
30/233-233.5, 537, 539-540

See application file for complete search history.

(56) **References Cited**

U.S. PATENT DOCUMENTS

3,992,778 A 11/1976 Urbush
4,542,585 A 9/1985 Ito et al.
5,123,159 A * 6/1992 Kubo et al. 30/196
5,623,764 A 4/1997 Cseh

5,699,616 A * 12/1997 Ogawa 30/201
6,901,669 B1 6/2005 Liberatore
7,882,872 B2 2/2011 Frierson
8,024,862 B2 9/2011 Morisugi et al.
2006/0112572 A1 * 6/2006 McCambridge et al. 30/537
2010/0242286 A1 * 9/2010 Yerke et al. 30/133
2012/0291289 A1 * 11/2012 Glezerman 30/34.05

* cited by examiner

Primary Examiner — Jennifer Rivard

(74) *Attorney, Agent, or Firm* — KB Patents; Luca D'Ottone

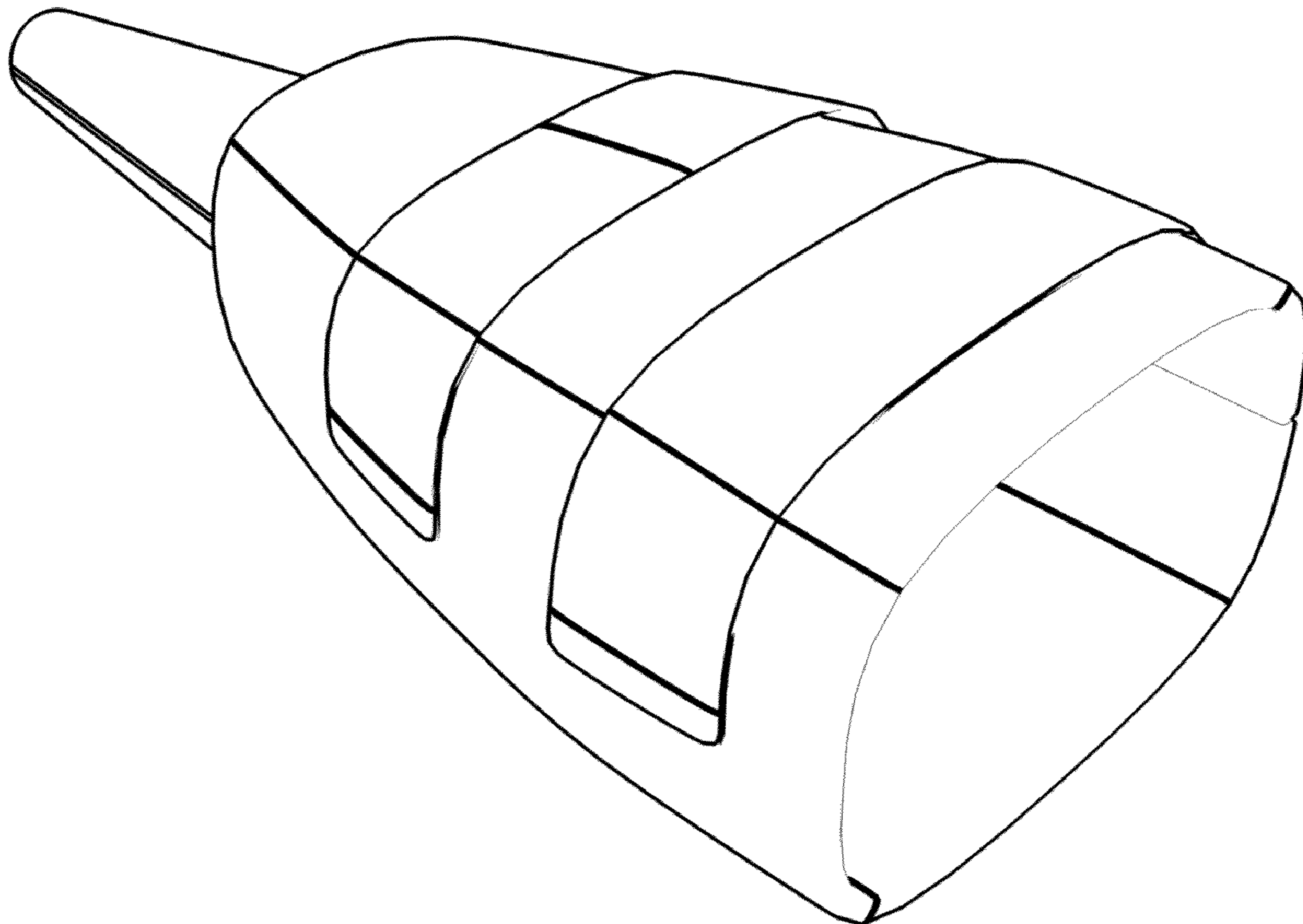
(57) **CLAIM**

I claim the ornamental design for a hair clipper holding sleeve, as shown and described.

DESCRIPTION

FIG. 1 is a perspective front view of a hair clipper holding sleeve, showing my new design;
FIG. 2 is a top view thereof;
FIG. 3 is a bottom view thereof;
FIG. 4 is a right side view thereof;
FIG. 5 is a left side view thereof; and,
FIG. 6 is a rear perspective view thereof.
The broken lines which illustrate portions of the hair clipper holding sleeve form no part of the claimed design.

1 Claim, 6 Drawing Sheets



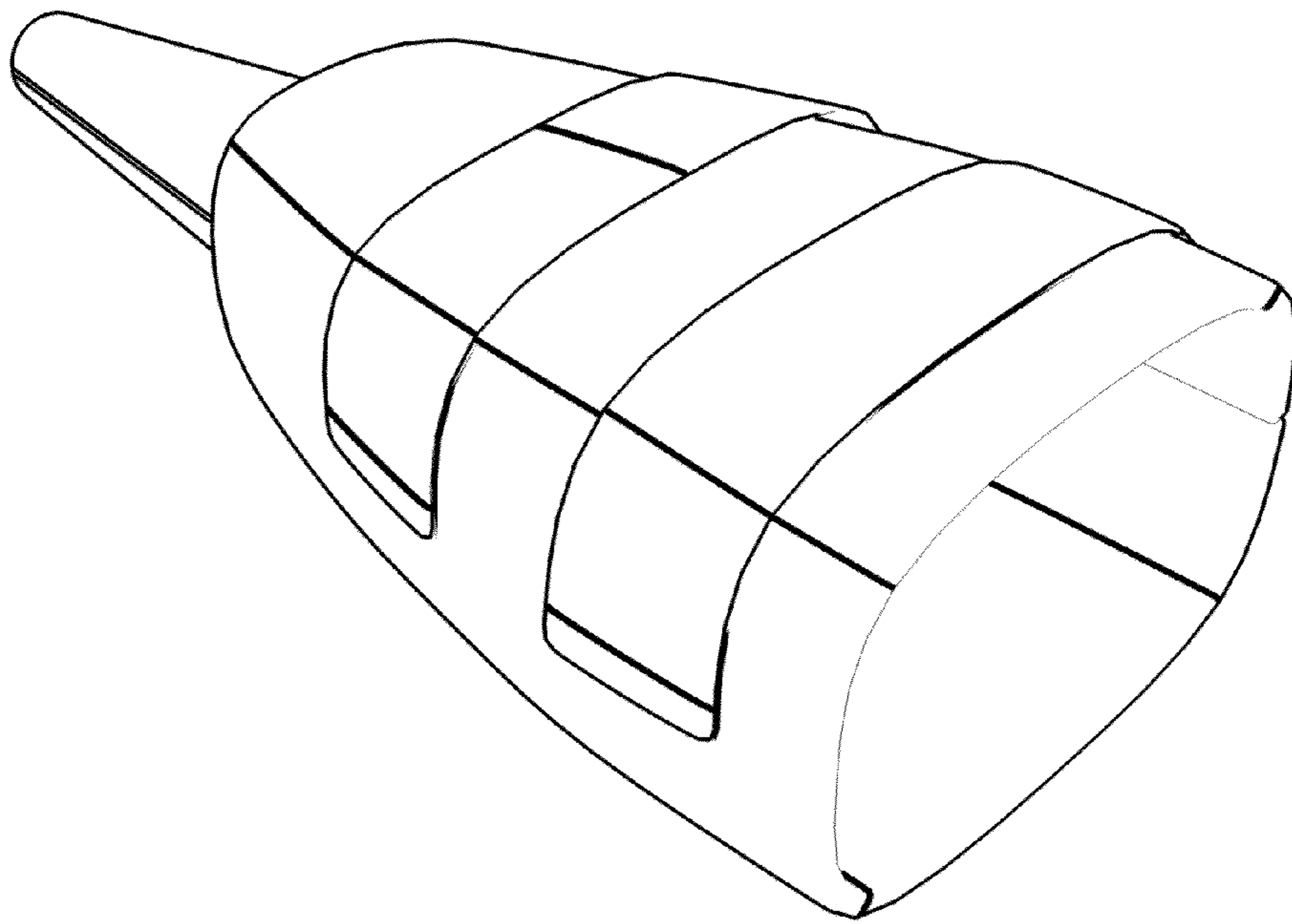


FIG. 1

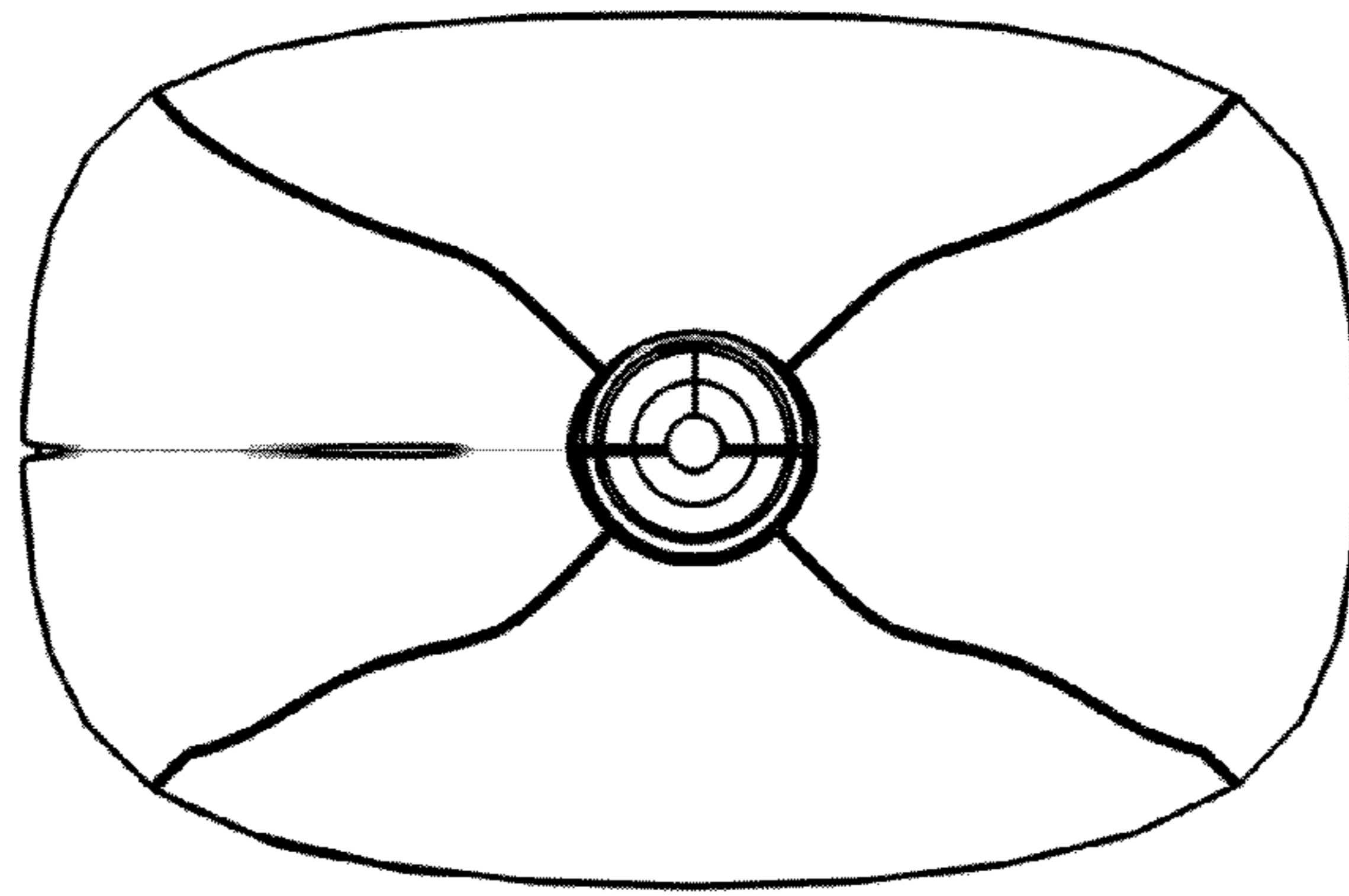


FIG. 2

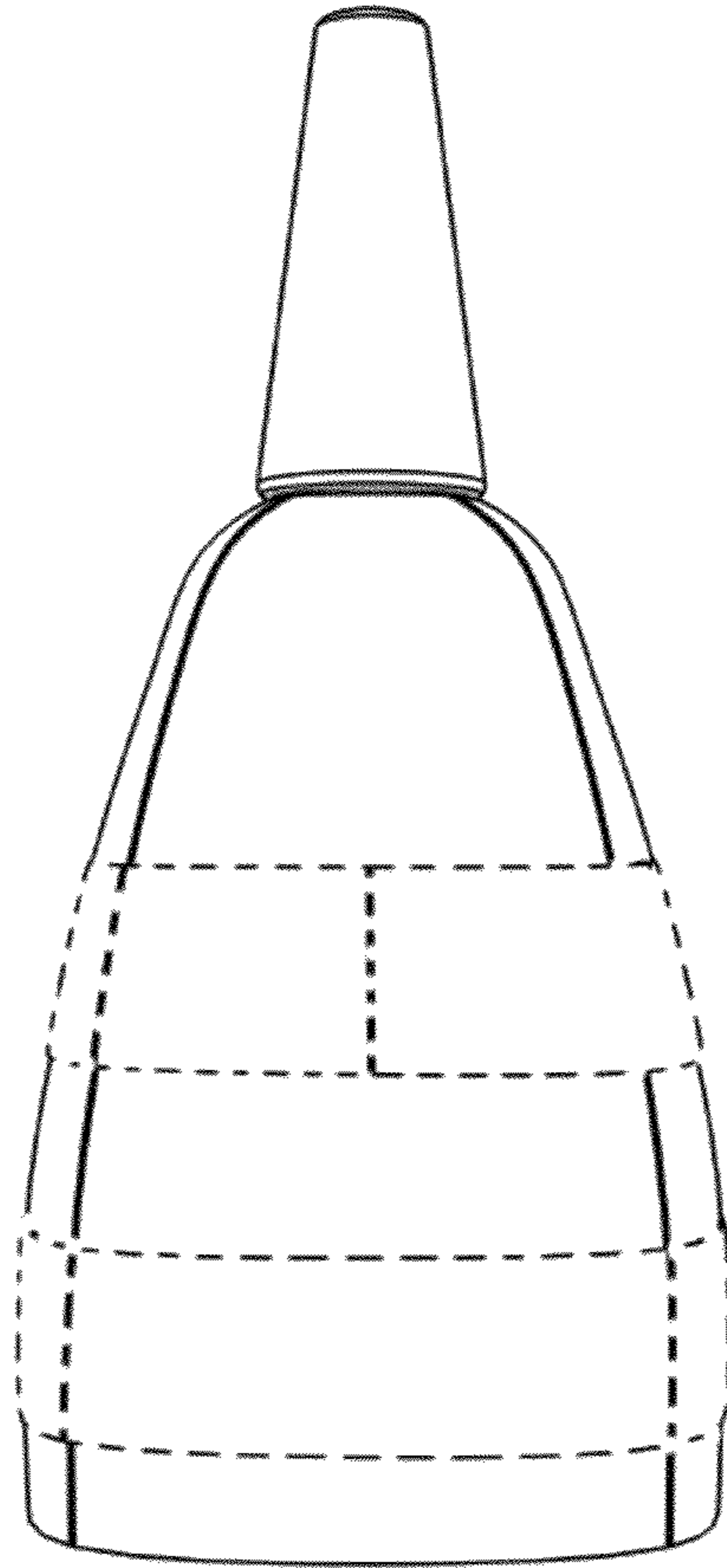


FIG. 3

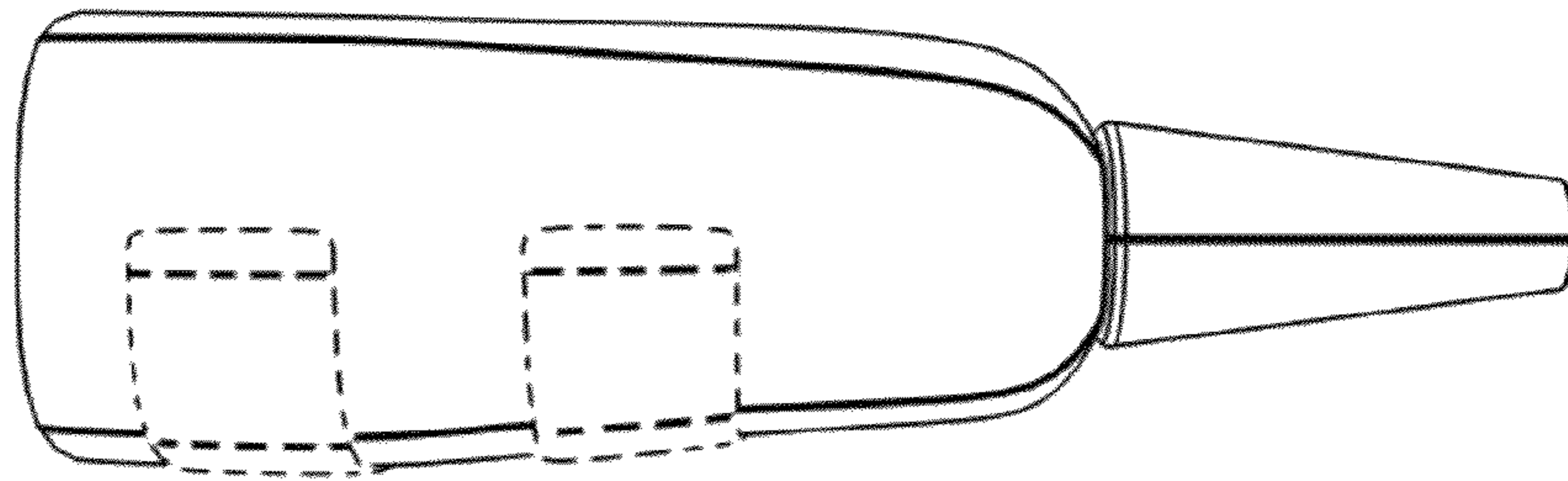


FIG. 4

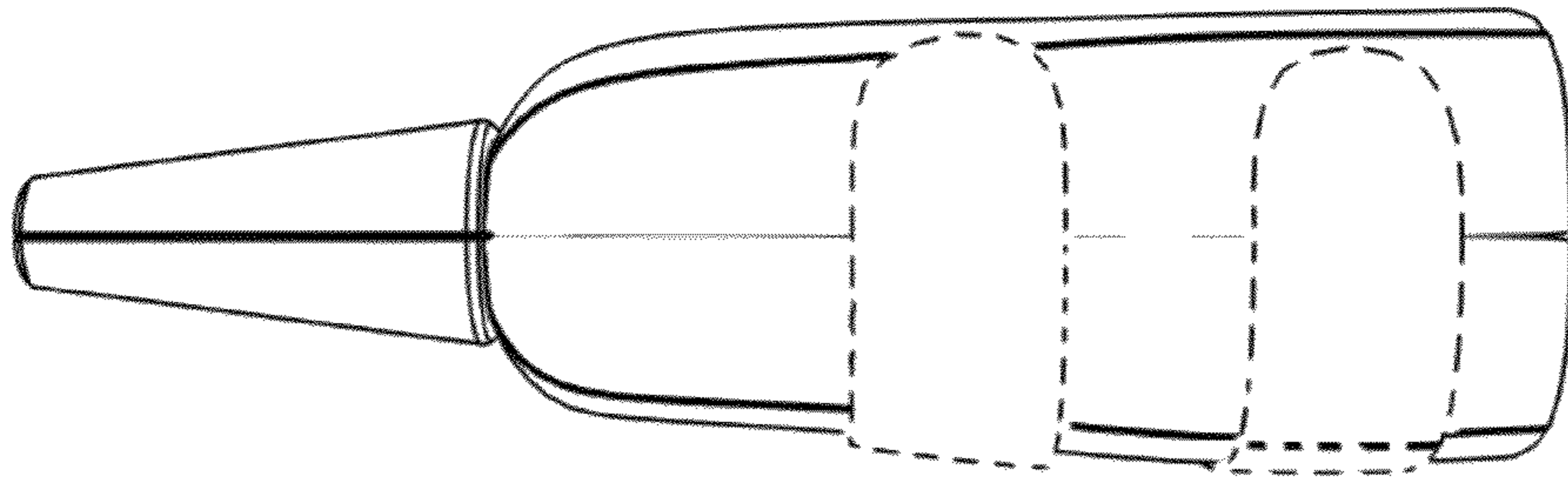


FIG. 5

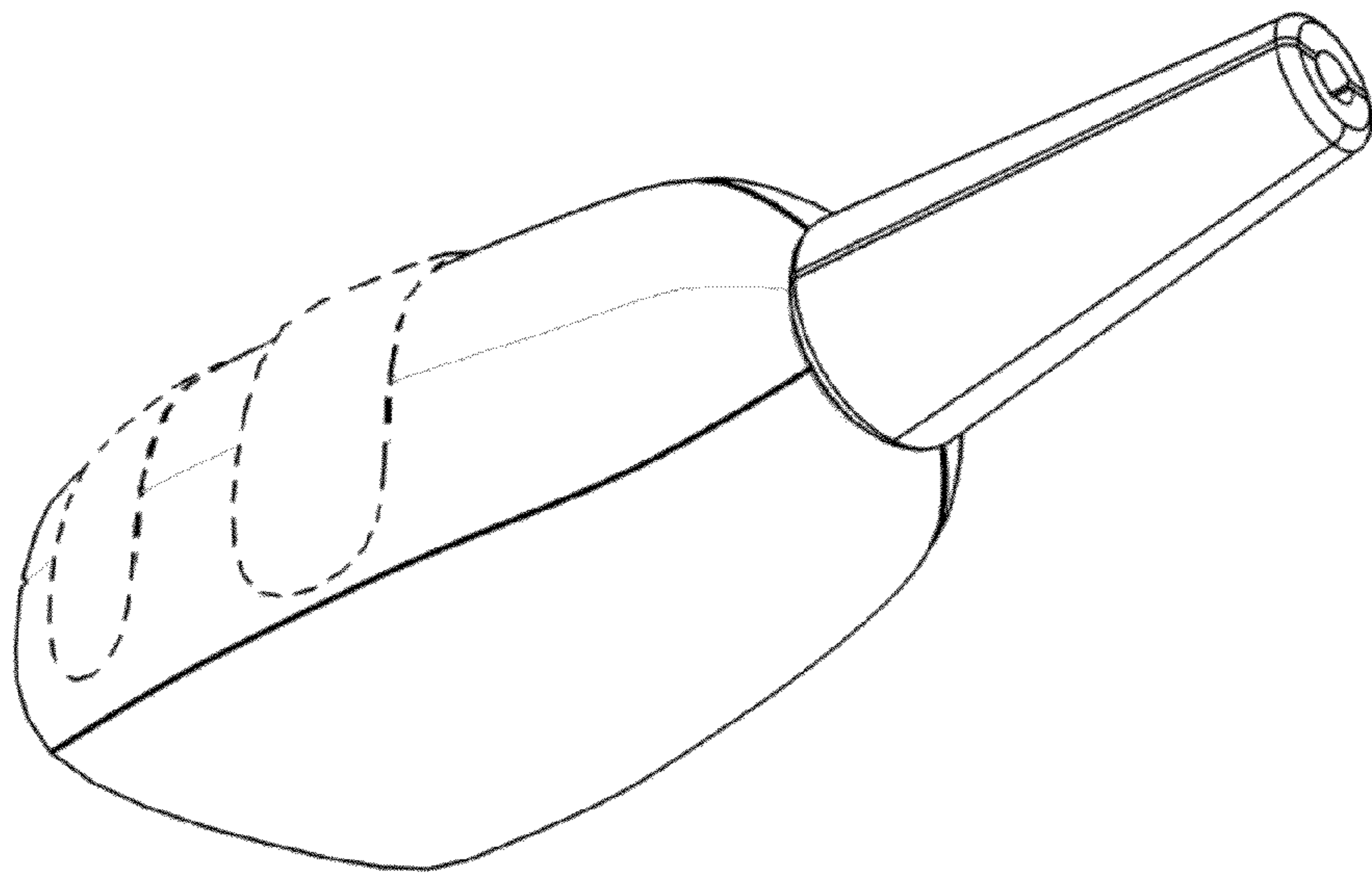


FIG. 6