



US00D711591S

(12) **United States Design Patent**
Wu

(10) **Patent No.:** **US D711,591 S**

(45) **Date of Patent:** **** Aug. 19, 2014**

(54) **LIGHTER WITH CLEAR CASE**

(71) Applicant: **Yigal Cohen Harel**, Sunrise, FL (US)

(72) Inventor: **Xiaoyang Wu**, Wenzhou (CN)

(73) Assignee: **Yigal Cohen Harel**, Sunrise, FL (US)

(**) Term: **14 Years**

(21) Appl. No.: **29/433,830**

(22) Filed: **Oct. 5, 2012**

(51) **LOC (10) Cl.** **27-05**

(52) **U.S. Cl.**
USPC **D27/157**

(58) **Field of Classification Search**
USPC D27/173, 104, 105, 106, 107, 110, 109,
D27/195, 189, 165, 166, 164, 163, 162, 157,
D27/188, 154, 155, 156, 159; D9/416, 504,
D9/529, 545, 688, 500, 772; D28/89;
131/360, 347, 273, 328, 329, 330, 173
See application file for complete search history.

(56) **References Cited**

U.S. PATENT DOCUMENTS

D155,565 S *	10/1949	Adler et al.	D27/153
2,692,491 A *	10/1954	Hepburn	431/136
2,973,634 A *	3/1961	Bellavance	431/139
D230,069 S *	1/1974	Yoshinaga	D27/156
D243,539 S *	3/1977	Cornell	D27/152
D247,315 S *	2/1978	DiMatteo	D27/160
5,308,240 A *	5/1994	Lowenthal	431/131

D351,043 S *	9/1994	Parker et al.	D27/154
D360,051 S *	7/1995	Segawa	D27/155
D379,249 S *	5/1997	Williams	D28/8.1
D426,950 S *	6/2000	Conway	D3/203.5
D441,494 S *	5/2001	Chen	D27/144
6,478,575 B2 *	11/2002	Sher	431/153
D472,341 S *	3/2003	Cohen Harel	D27/141
6,699,033 B2 *	3/2004	Xu	431/255
D498,877 S *	11/2004	Sher	D27/156
D550,896 S *	9/2007	Zhi	D27/154
D664,709 S *	7/2012	Almsberger et al.	D27/157

* cited by examiner

Primary Examiner — Kevin Rudzinski

(74) *Attorney, Agent, or Firm* — Cowan, Liebowitz & Latman, P.C.; Mark Montague

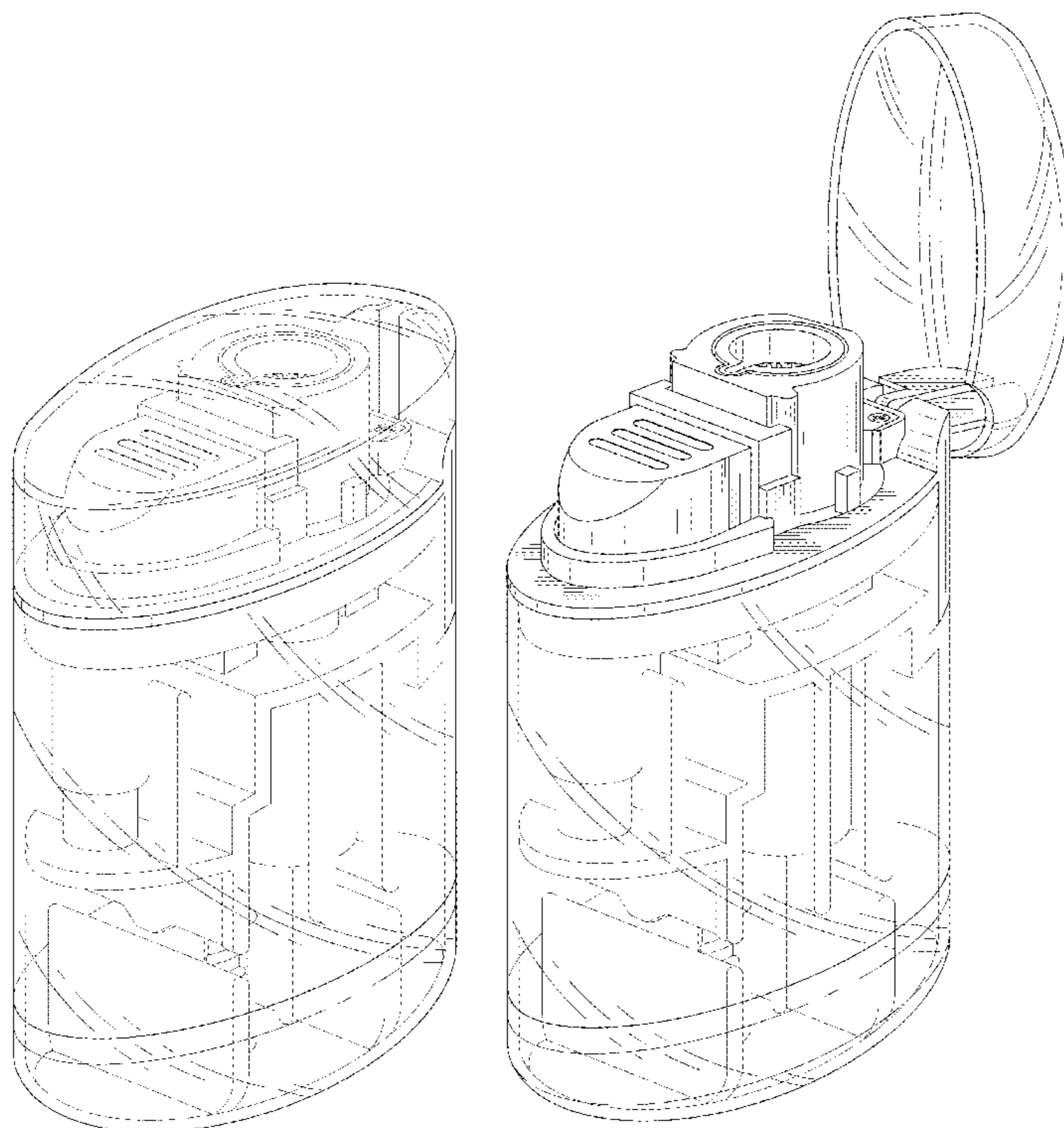
(57) **CLAIM**

The ornamental design for a lighter with clear case, as shown.

DESCRIPTION

FIG. 1 is a perspective view of the lighter with clear case of the present invention;
FIG. 2 is a right side elevational view thereof;
FIG. 3 is a front elevational view thereof;
FIG. 4 is a rear elevational view thereof;
FIG. 5 is a left side elevational view thereof;
FIG. 6 is a top plan view thereof;
FIG. 7 is a bottom plan view thereof; and,
FIG. 8 is another perspective view thereof shown with the cover open.

1 Claim, 6 Drawing Sheets



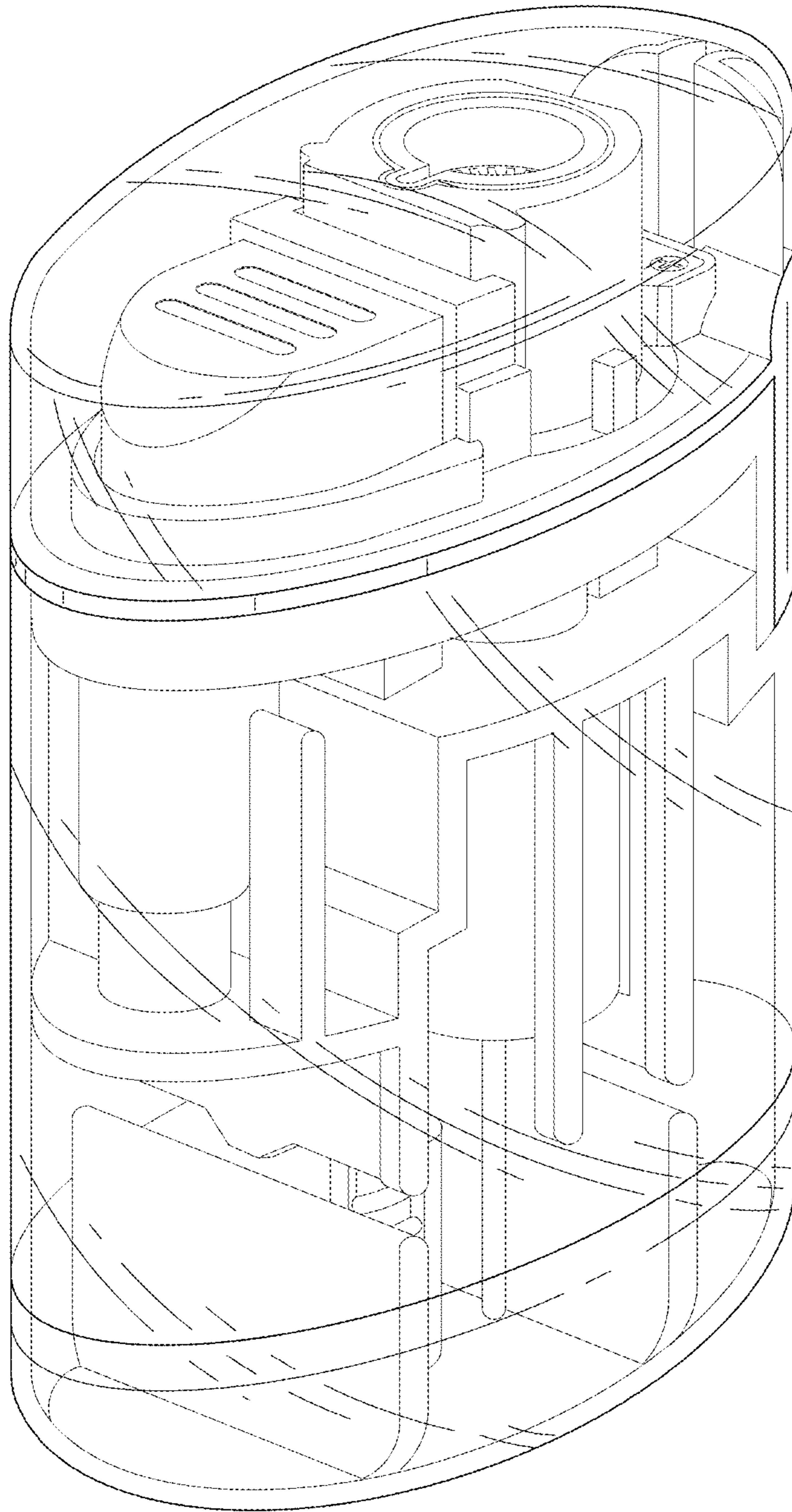


FIG. 1

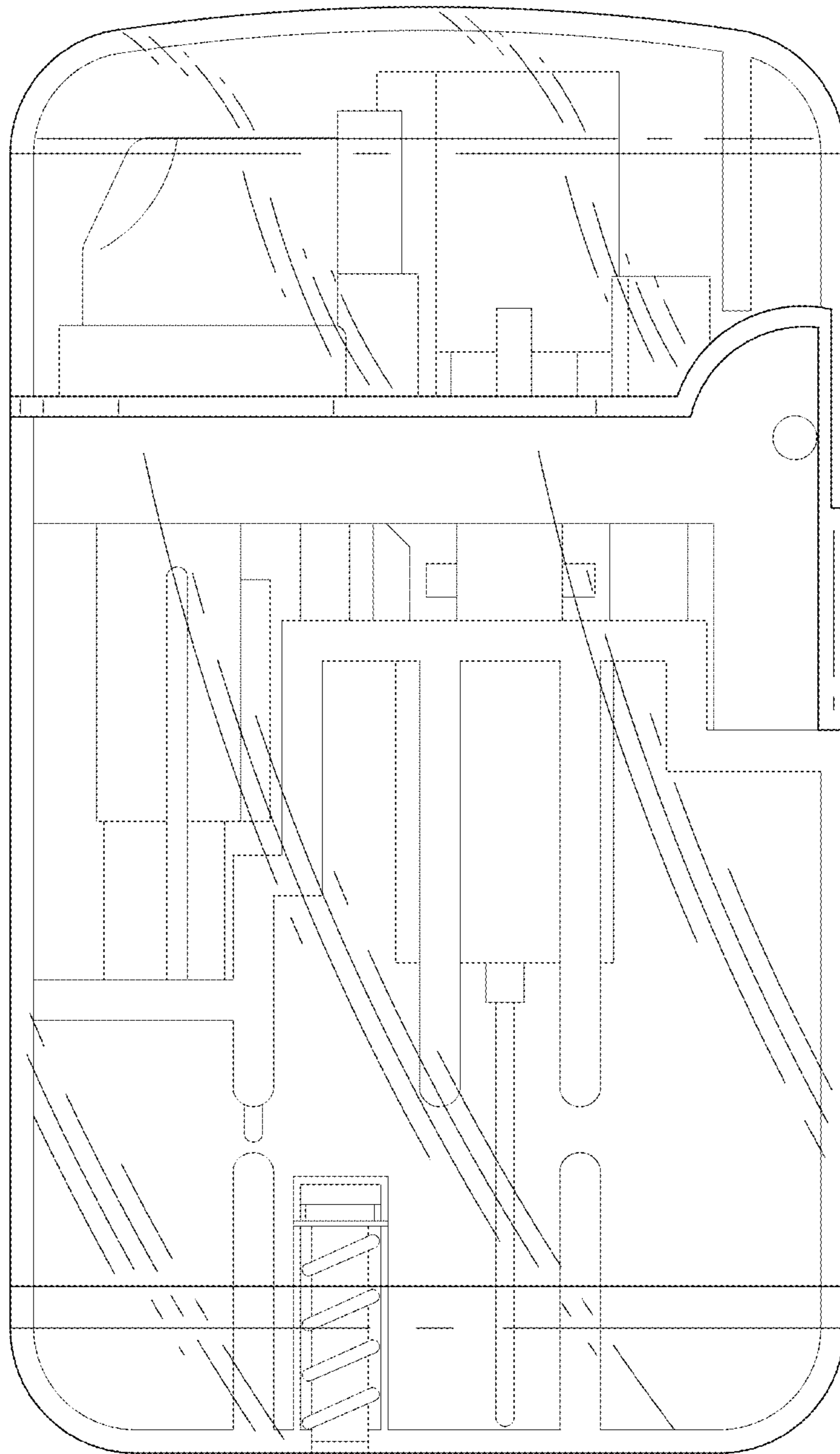


FIG. 2

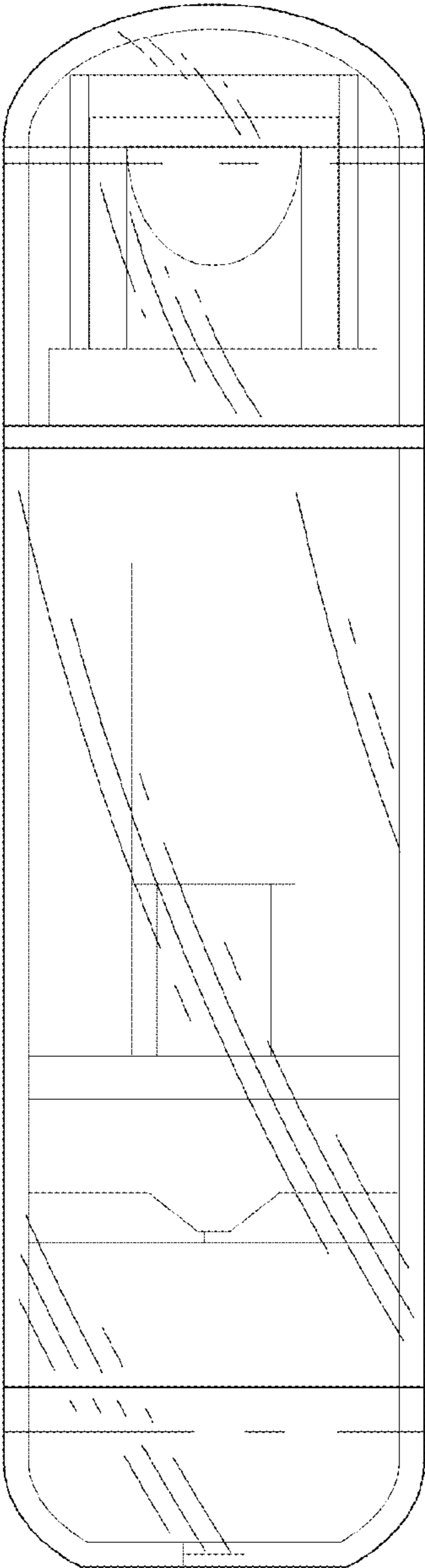


FIG. 3

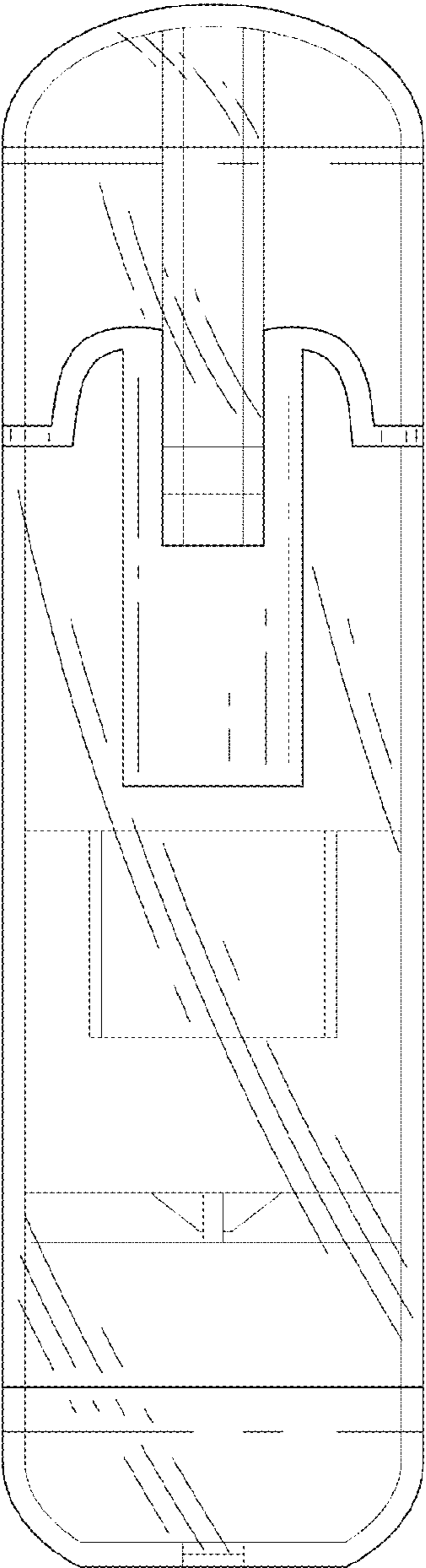


FIG. 4

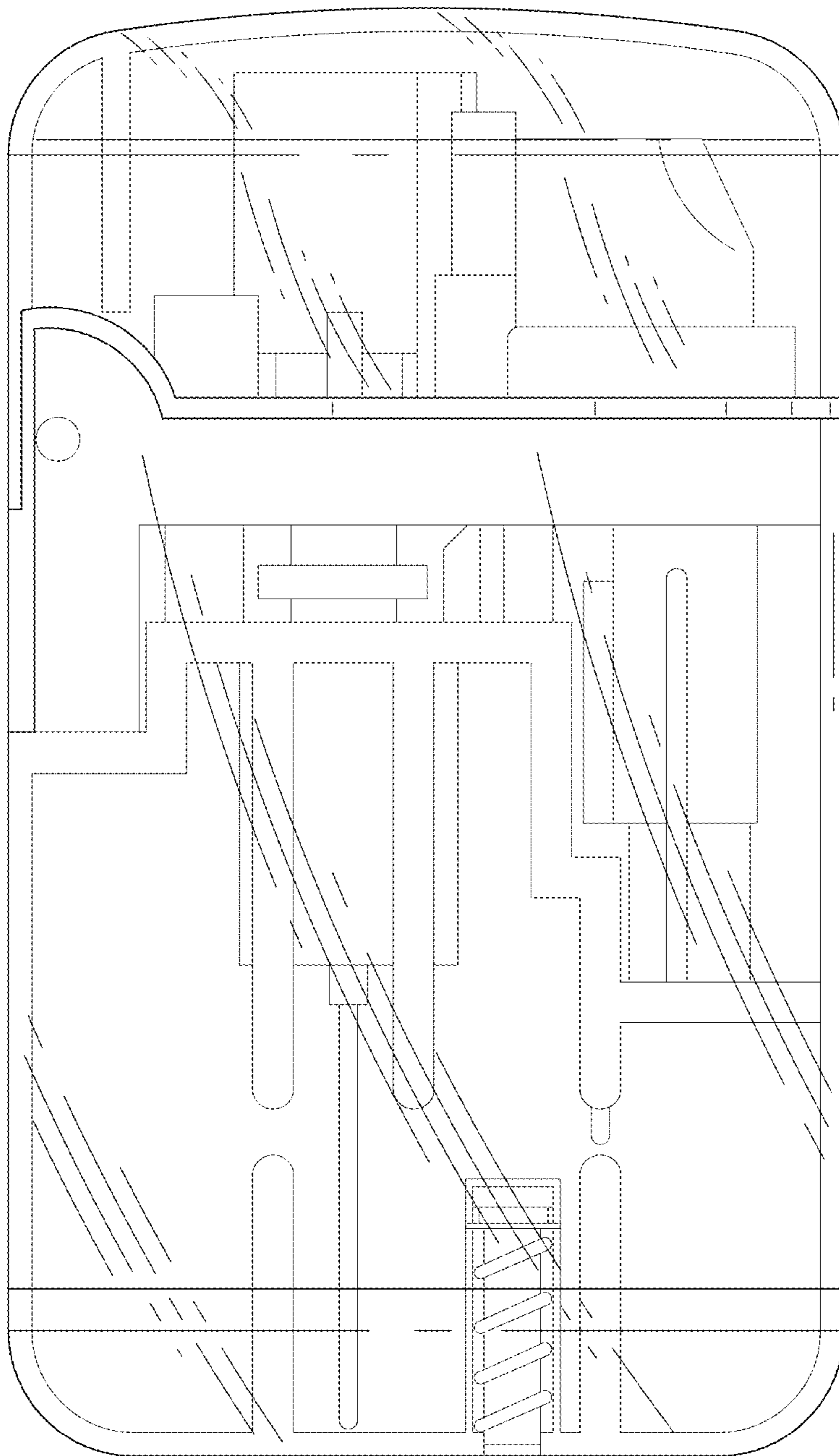


FIG. 5

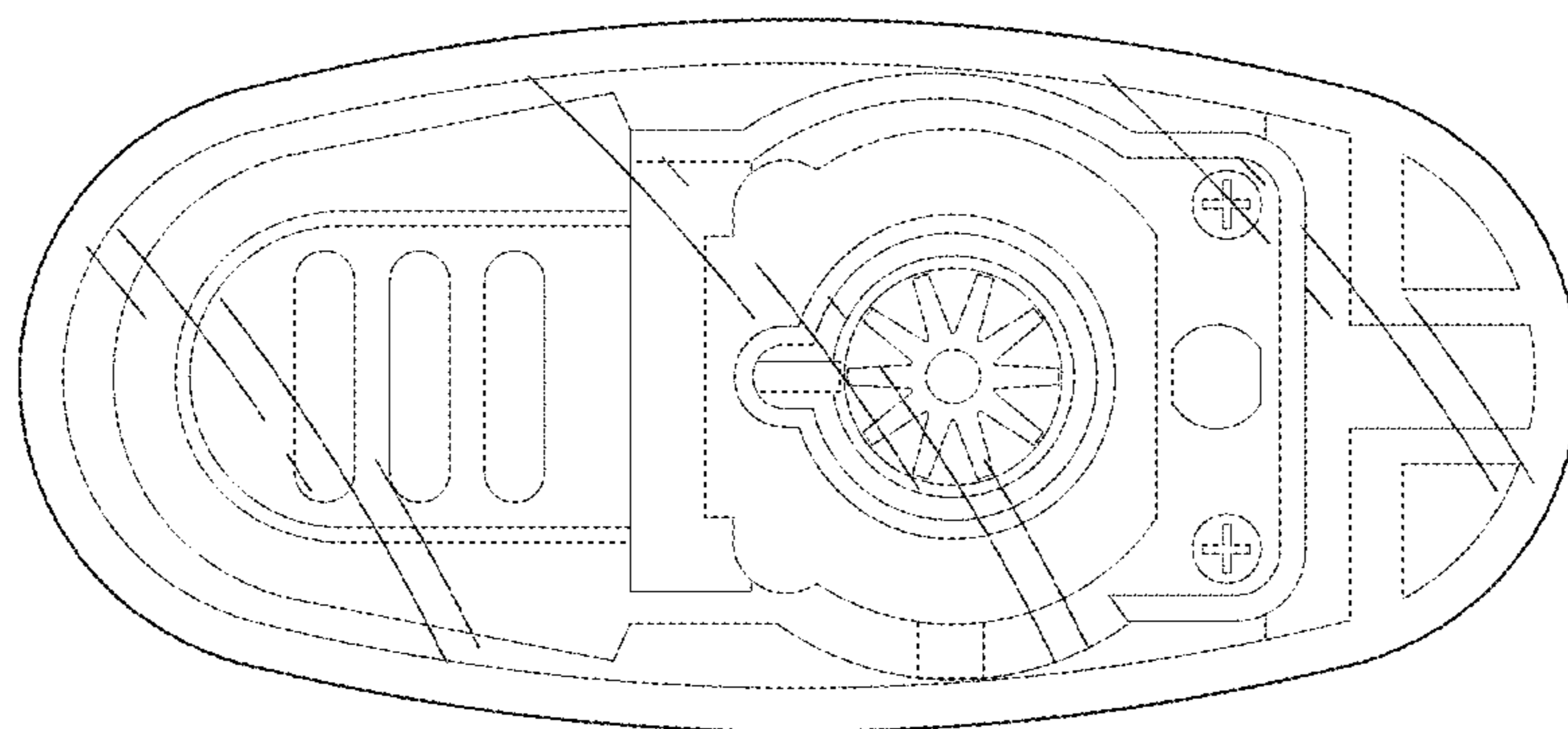


FIG. 6

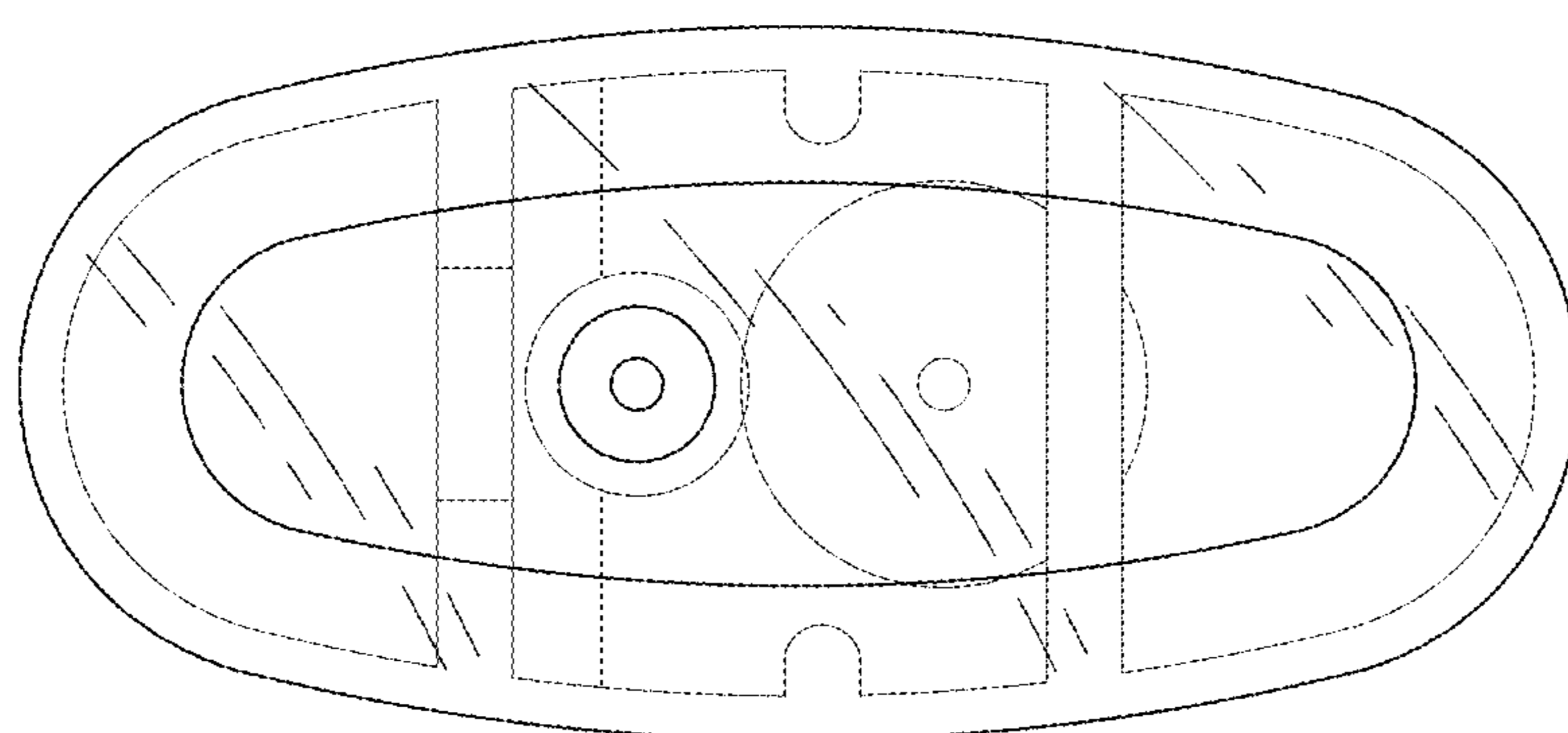


FIG. 7

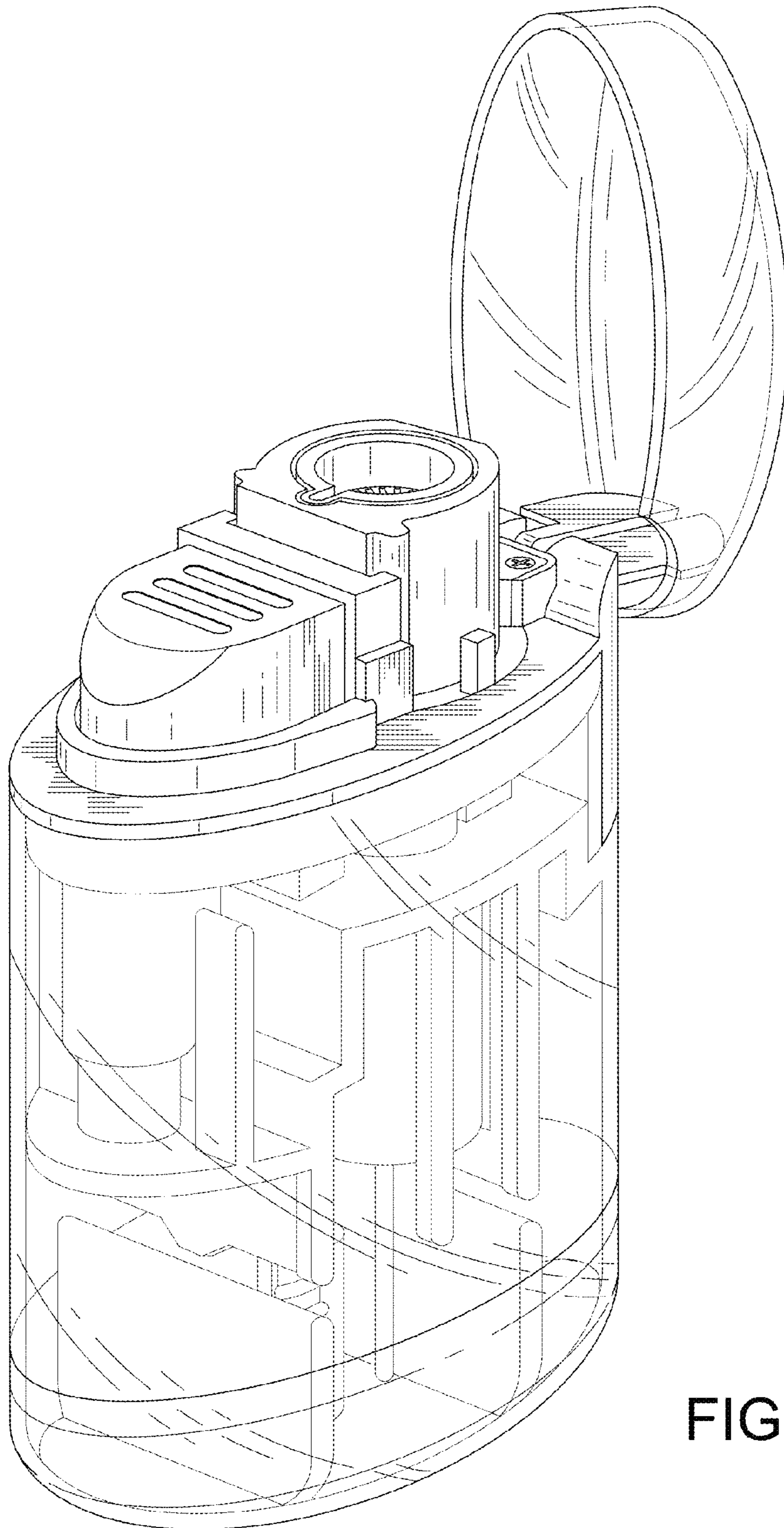


FIG. 8