



US00D711590S

(12) **United States Design Patent**
Comte

(10) **Patent No.:** **US D711,590 S**

(45) **Date of Patent:** **** *Aug. 19, 2014**

- (54) **LIGHTING SUPPORTING ARM**
- (71) Applicant: **Maquet SAS**, Ardon (FR)
- (72) Inventor: **Lionel Comte**, La Chapelle Saint Mesmin (FR)
- (73) Assignee: **Maquet SAS**, Ardon (FR)

D482,481 S *	11/2003	Landefeld	D26/71
D504,535 S *	4/2005	Shiu	D26/62
D505,741 S *	5/2005	Avery et al.	D26/62
D531,339 S *	10/2006	Lee et al.	D26/62
D621,537 S *	8/2010	Borovicka et al.	D26/43
D657,489 S *	4/2012	Johnstone	D26/138
D673,710 S *	1/2013	Eichelberger	D26/62
D698,962 S *	2/2014	Waldmann	D26/51
2011/0216525 A1 *	9/2011	Talala	362/96
2011/0232932 A1 *	9/2011	Bantle et al.	362/183

(*) Notice: This patent is subject to a terminal disclaimer.

* cited by examiner

(**) Term: **14 Years**

Primary Examiner — Caron D. Veynar

Assistant Examiner — Natasha Vujcic

(21) Appl. No.: **29/459,335**

(74) *Attorney, Agent, or Firm* — Ware, Fressola, Maguire & Barber LLP

(22) Filed: **Jun. 28, 2013**

(57) **CLAIM**

I claim the ornamental design of a lighting supporting arm, as shown and described.

(30) **Foreign Application Priority Data**

Feb. 4, 2013 (EM) 002178020-0004

DESCRIPTION

(51) **LOC (10) Cl.** **26-55**

(52) **U.S. Cl.**
USPC **D26/155**

(58) **Field of Classification Search**
USPC D26/23, 34, 38, 39, 44, 61, 62, 63, 67,
D26/73, 93, 94, 96, 98, 113, 138, 140, 152,
D26/154, 155; 362/12, 18, 96, 124, 183,
362/269, 410, 411, 412, 413, 414, 418, 419,
362/427, 431

See application file for complete search history.

FIG. 1 is a front view of the lighting supporting arm of the invention;
 FIG. 2 is a top plan view of the lighting supporting arm of the invention;
 FIG. 3 is a bottom plan view of the lighting supporting arm of the invention;
 FIG. 4 is a left side view of the lighting supporting arm of the invention;
 FIG. 5 is a right side view of the lighting supporting arm of the invention;
 FIG. 6 is a top perspective view of the lighting supporting arm of the invention; and,
 FIG. 7 is a rear view of the lighting supporting arm of the invention.

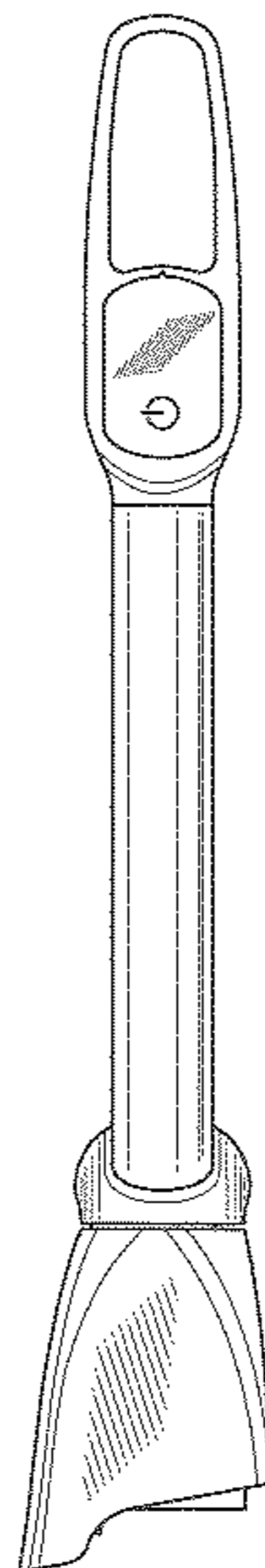
Surface shading is provided to show the character and/or contour of the surfaces represented.

(56) **References Cited**

U.S. PATENT DOCUMENTS

D80,511 S *	2/1930	Crucet	D26/140
D149,744 S *	5/1948	Greppin et al.	D26/140
D157,204 S *	2/1950	Pieper	D26/138
D314,246 S *	1/1991	Bache	D26/62
D377,840 S *	2/1997	Chang	D26/62

1 Claim, 7 Drawing Sheets



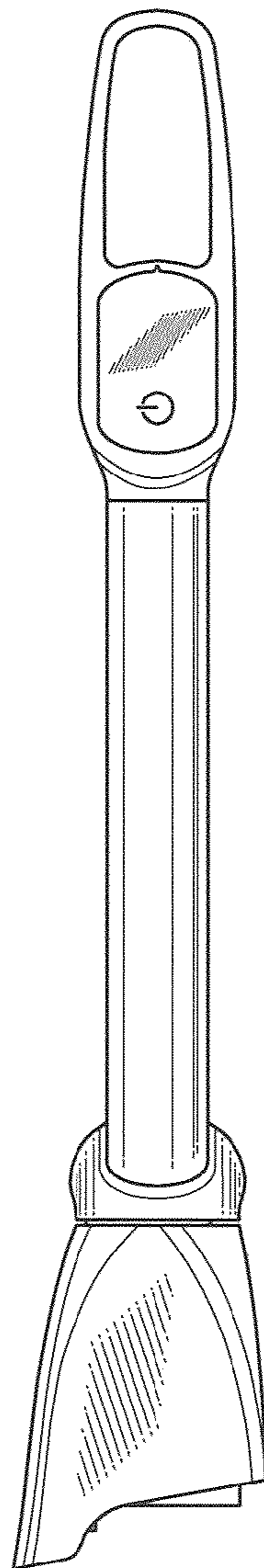


FIG. 1

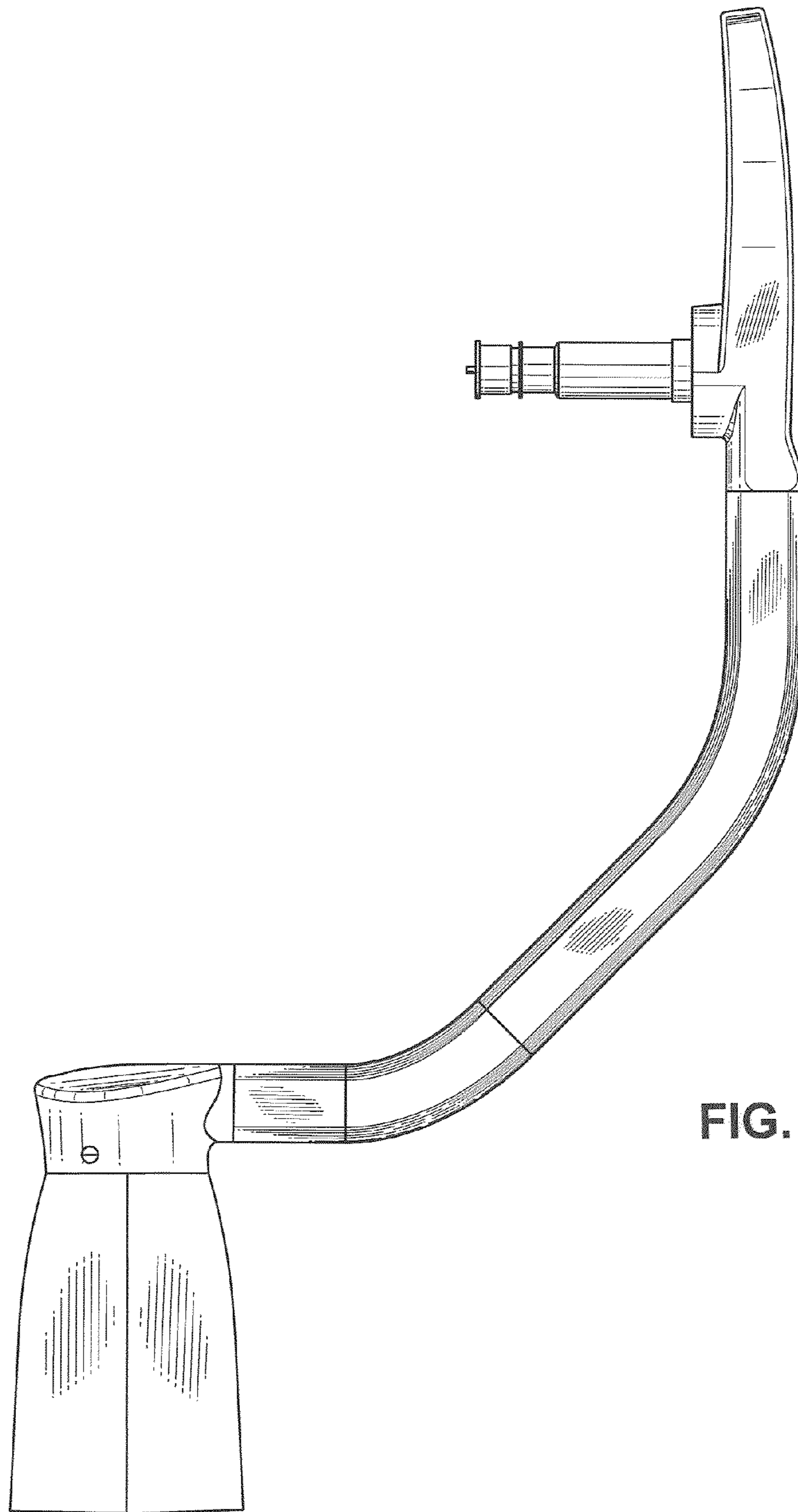


FIG. 2

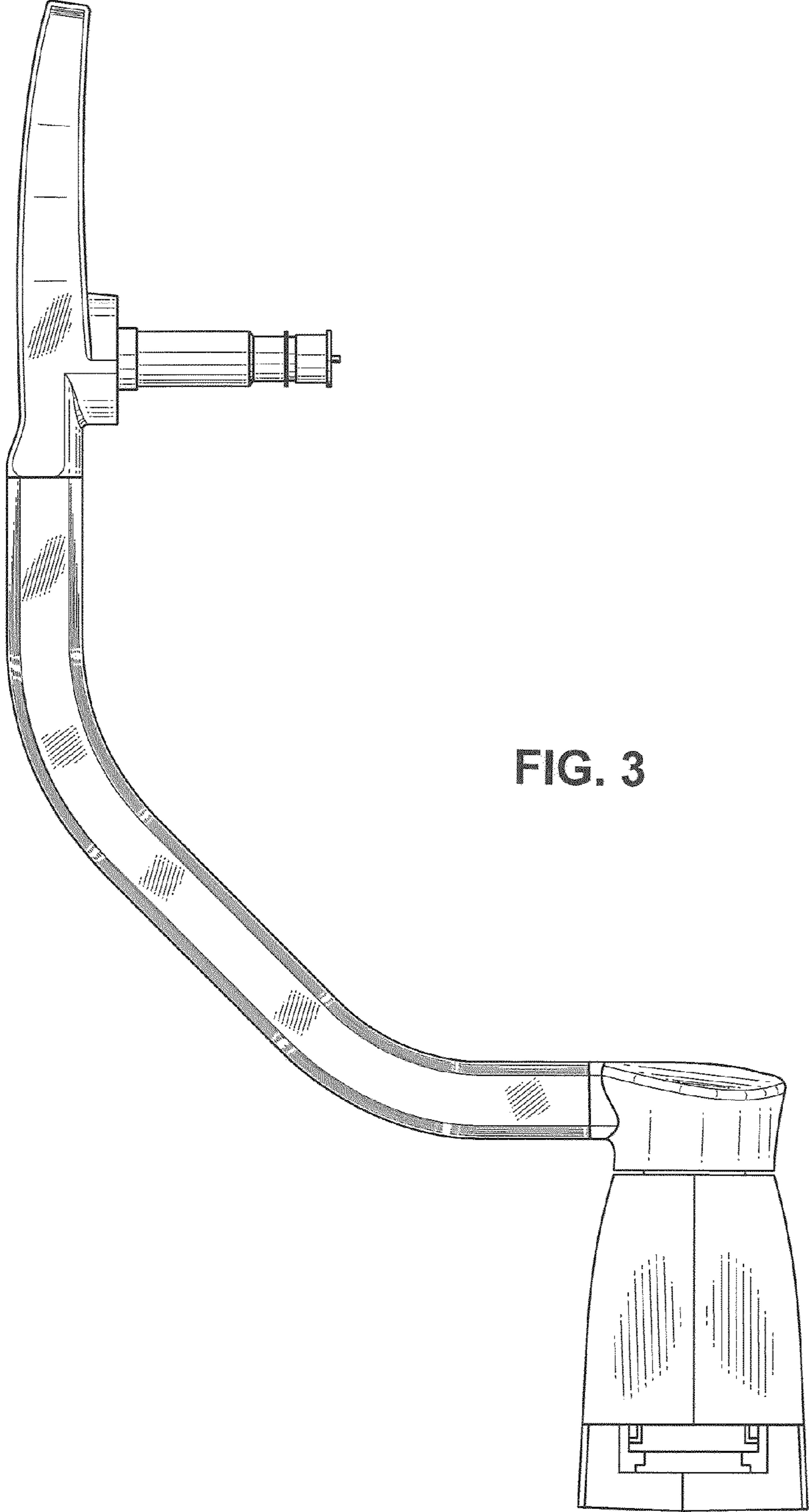


FIG. 3

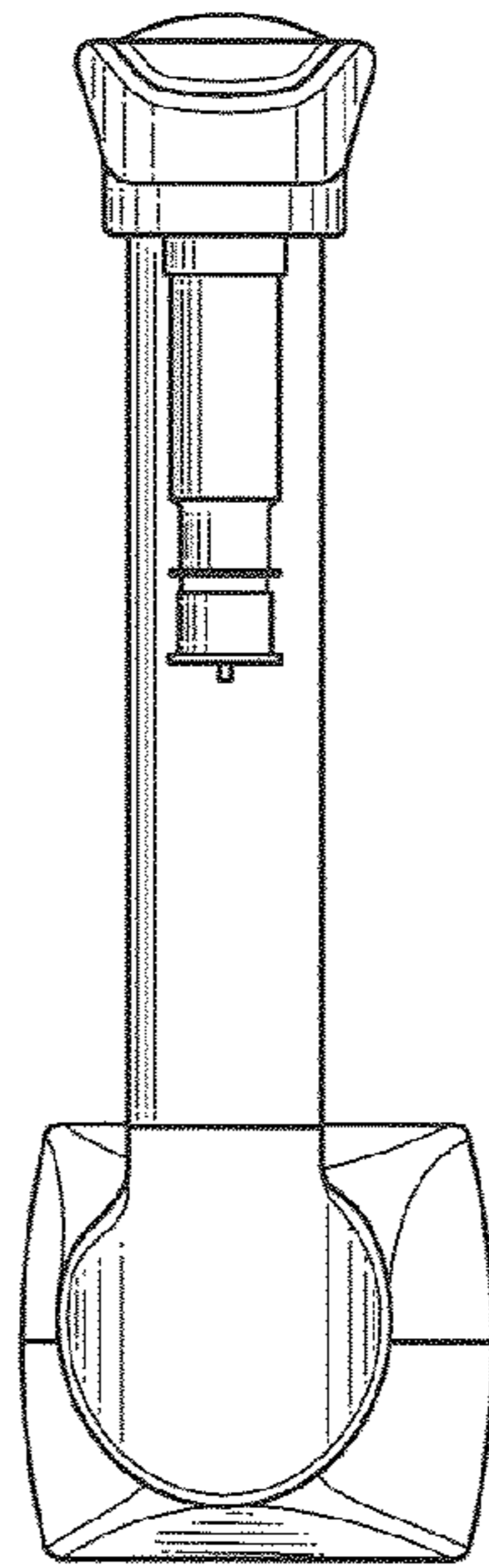


FIG. 4

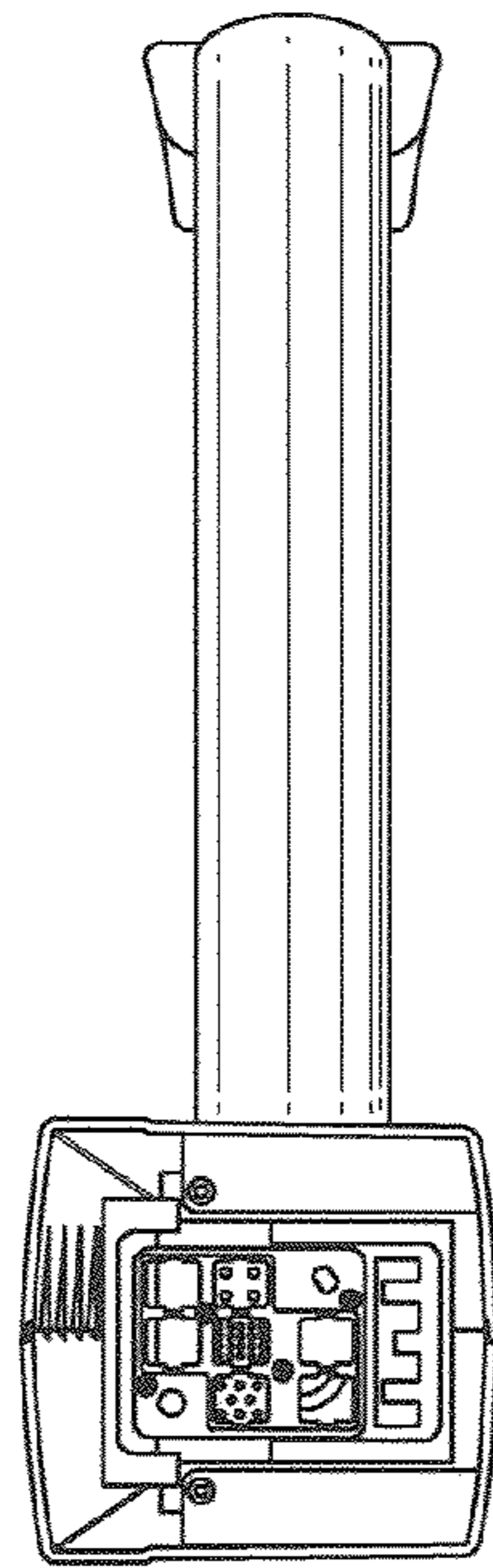


FIG. 5

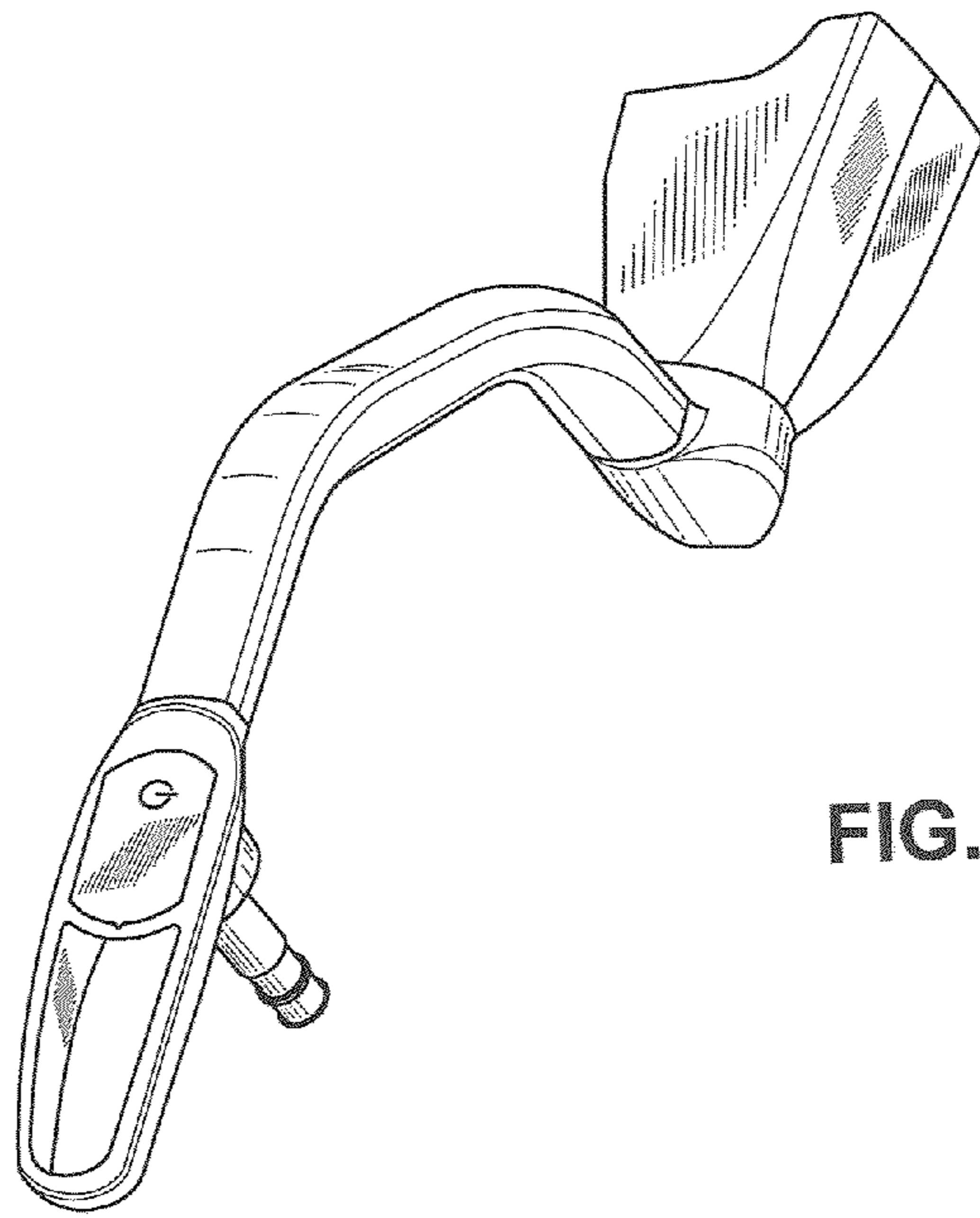


FIG. 6

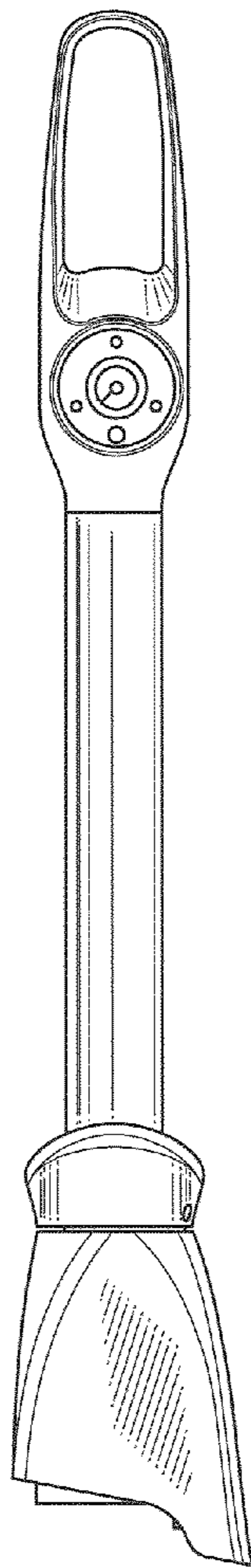


FIG. 7