



US00D711589S

(12) **United States Design Patent**
Comte

(10) **Patent No.:** **US D711,589 S**

(45) **Date of Patent:** **** *Aug. 19, 2014**

(54) **LIGHTING SUPPORTING ARM**

(71) Applicant: **Maquet SAS**, Ardon (FR)

(72) Inventor: **Lionel Comte**, La Chapelle Saint
Mesmin (FR)

(73) Assignee: **Maquet SAS**, Ardon (FR)

(*) Notice: This patent is subject to a terminal disclaimer.

(**) Term: **14 Years**

(21) Appl. No.: **29/459,330**

(22) Filed: **Jun. 28, 2013**

(30) **Foreign Application Priority Data**

Feb. 4, 2013 (EM) 002178020-0002

(51) **LOC (10) Cl.** **26-99**

(52) **U.S. Cl.**
USPC **D26/155**

(58) **Field of Classification Search**
USPC D26/23, 34, 38, 39, 44, 61, 62, 63, 67,
D26/73, 93, 94, 96, 98, 113, 138, 140, 152,
D26/154, 155; 362/12, 18, 96, 124, 183,
362/269, 410, 411, 412, 413, 414, 418, 419,
362/427, 431

See application file for complete search history.

(56) **References Cited**

U.S. PATENT DOCUMENTS

D80,511 S * 2/1930 Crucet D26/140
D149,744 S * 5/1948 Greppin et al. D26/140
D157,204 S * 2/1950 Pieper D26/138
D314,246 S * 1/1991 Bache D26/62
D377,840 S * 2/1997 Chang D26/62

D482,481 S * 11/2003 Landefeld D26/67
D504,535 S * 4/2005 Shiu D26/62
D505,741 S * 5/2005 Avery et al. D26/62
D531,339 S * 10/2006 Lee et al. D26/62
D621,537 S * 8/2010 Borovicka et al. D26/43
D657,489 S * 4/2012 Johnstone D26/138
D673,710 S * 1/2013 Eichelberger D26/62
D698,962 S * 2/2014 Waldmann D26/51
2011/0216525 A1* 9/2011 Talala 362/96
2011/0232932 A1* 9/2011 Bantle et al. 362/183

* cited by examiner

Primary Examiner — Caron Veynar

Assistant Examiner — Natasha Vujcic

(74) *Attorney, Agent, or Firm* — Ware, Fressola, Maguire &
Barber LLP

(57) **CLAIM**

I claim the ornamental design of a lighting supporting arm, as shown and described.

DESCRIPTION

FIG. 1 is a front view of the lighting supporting arm of the invention;

FIG. 2 is a top plan view of the lighting supporting arm of the invention;

FIG. 3 is a bottom plan view of the lighting supporting arm of the invention;

FIG. 4 is a left side view of the lighting supporting arm of the invention;

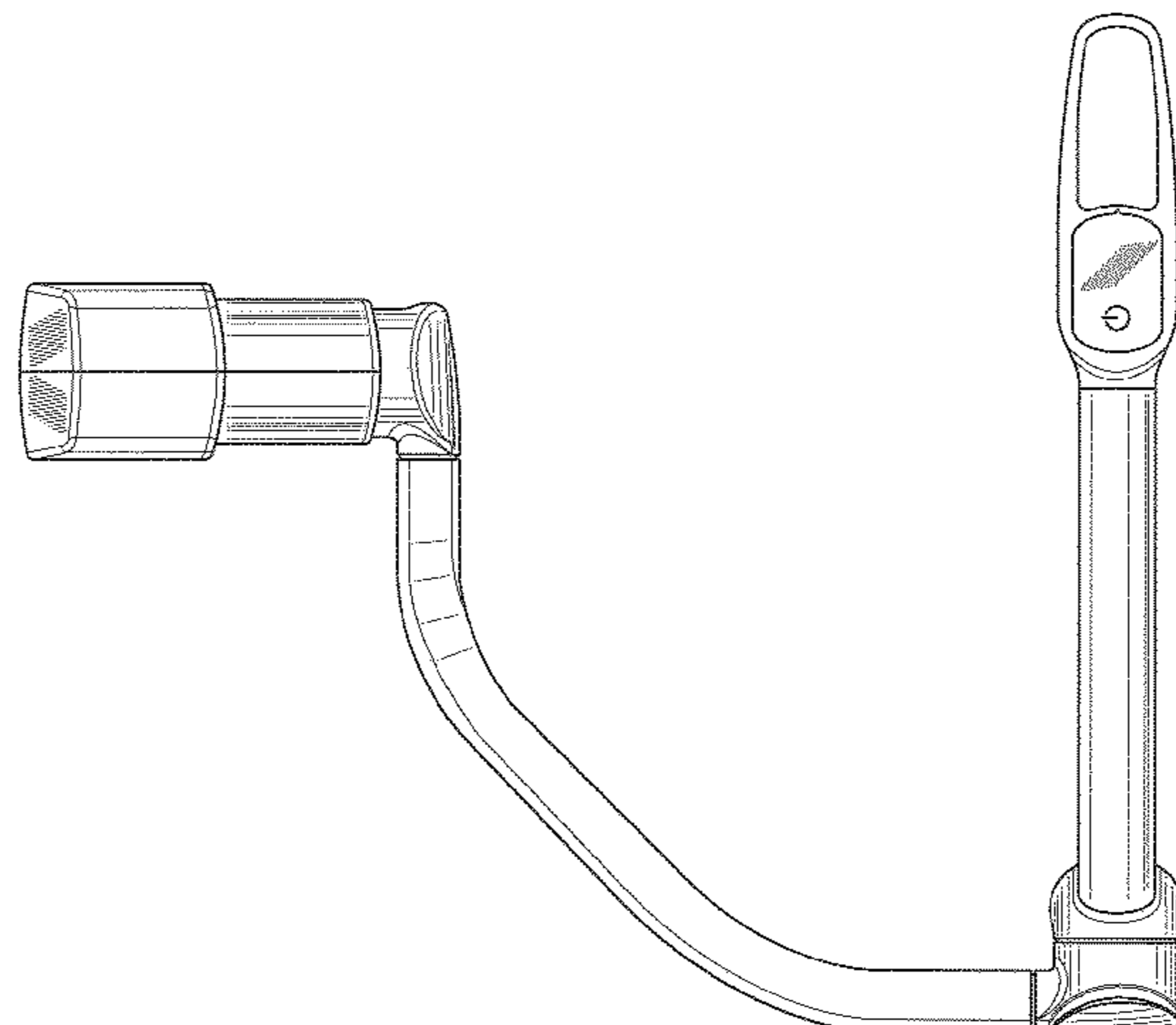
FIG. 5 is a right side view of the lighting supporting arm of the invention;

FIG. 6 is a top perspective view of the lighting supporting arm of the invention; and,

FIG. 7 is a rear view of the lighting supporting arm of the invention.

Surface shading is provided to show the character and/or contour of the surfaces represented.

1 Claim, 7 Drawing Sheets



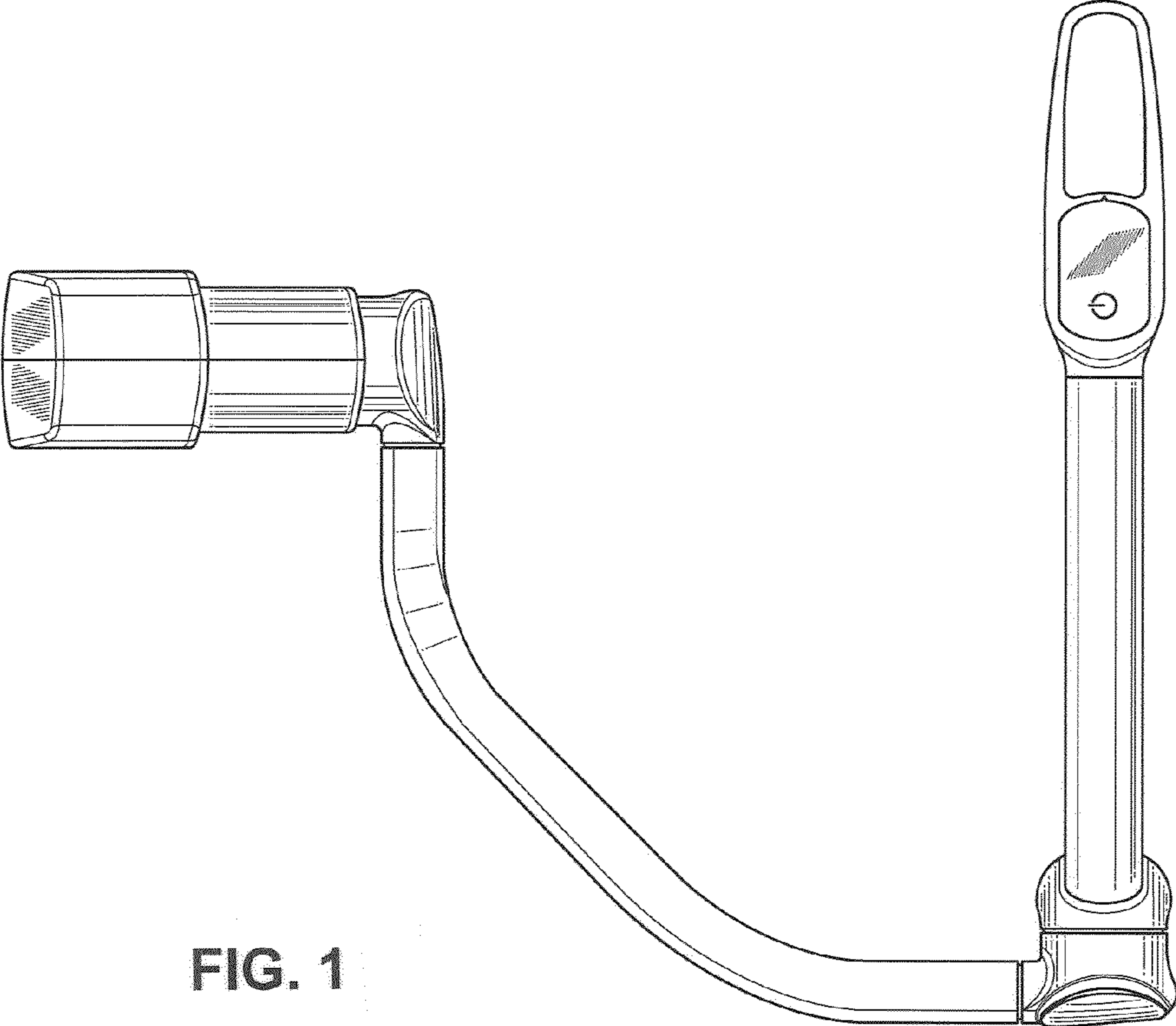


FIG. 1

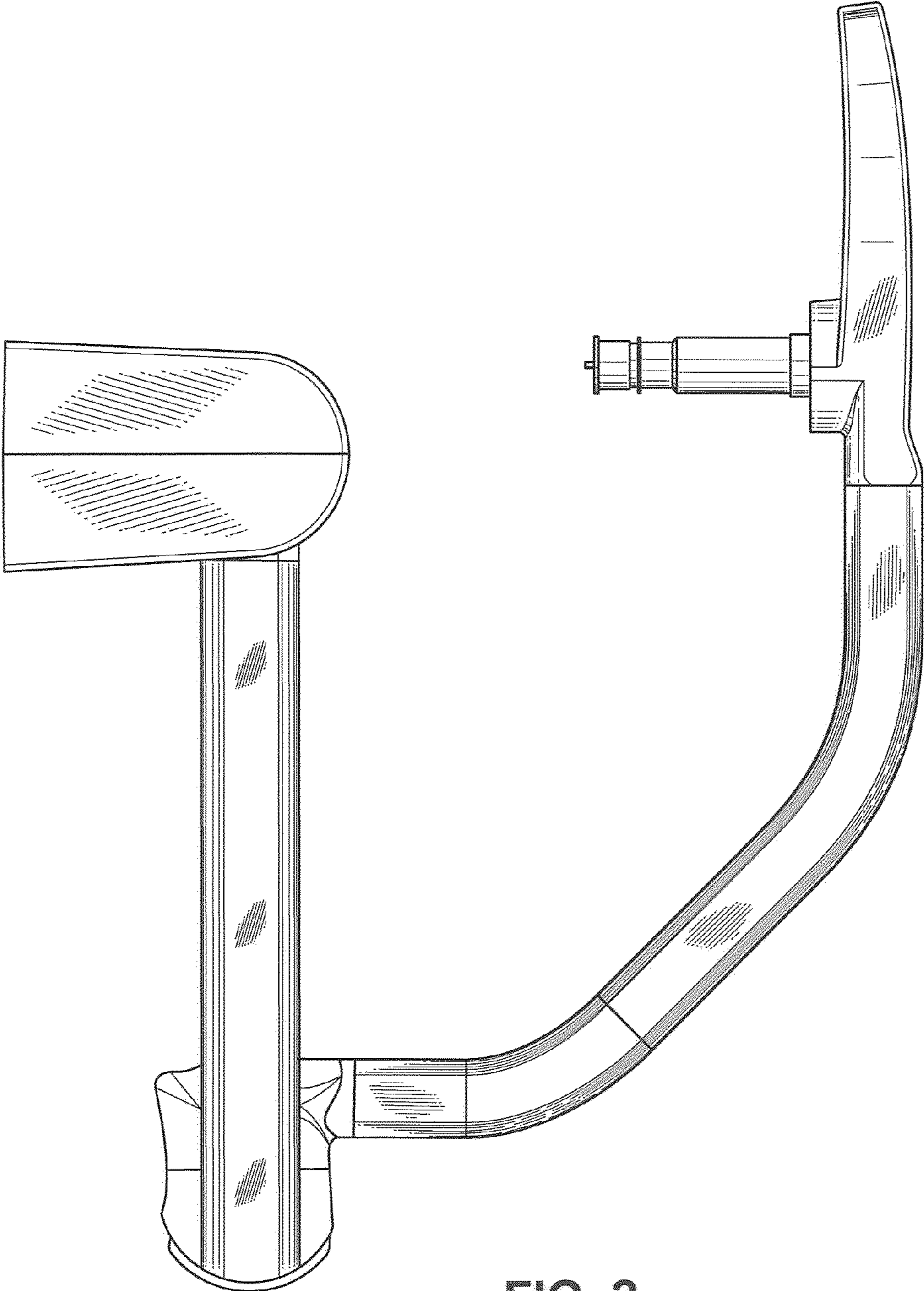


FIG. 2

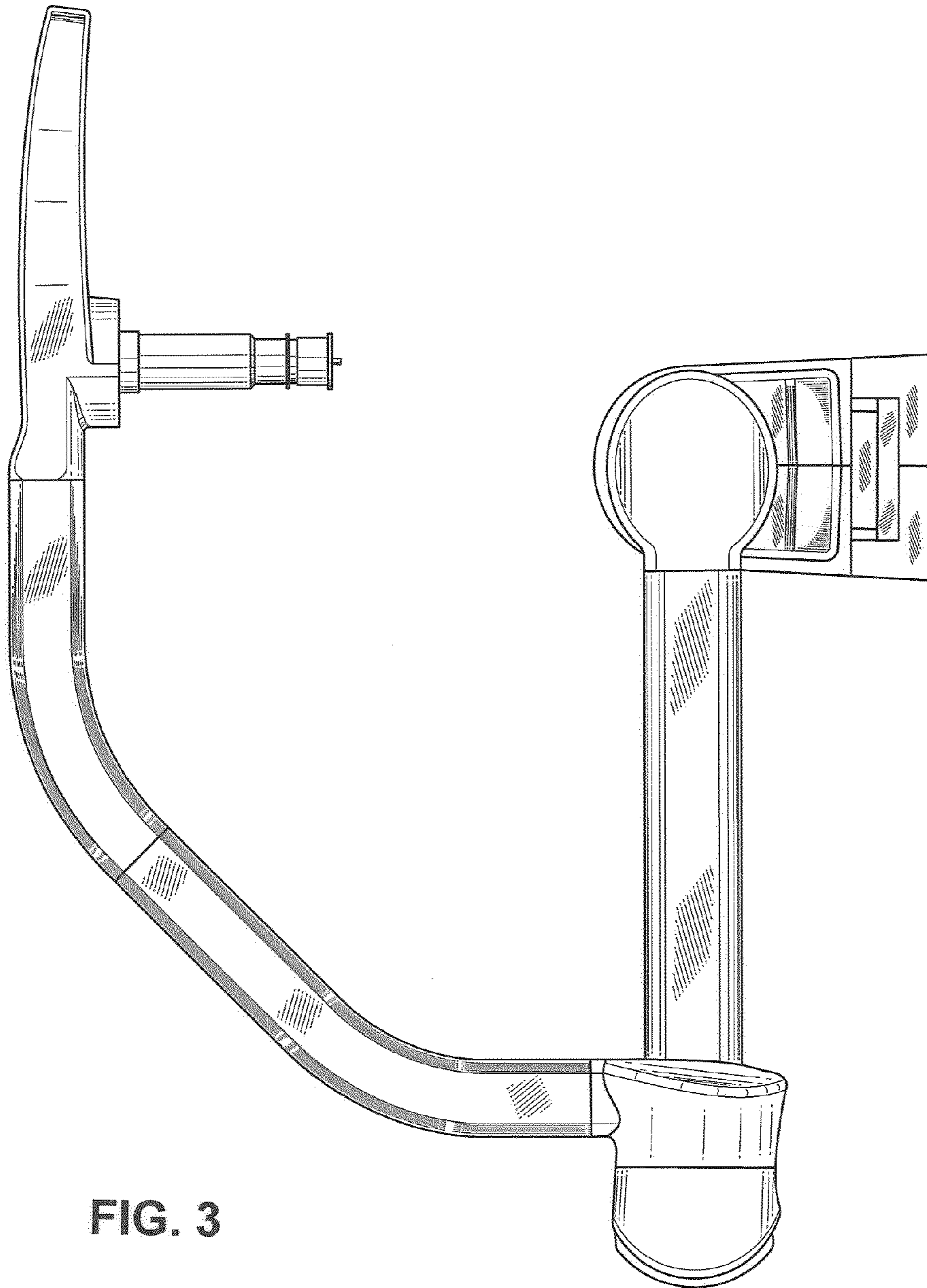


FIG. 3

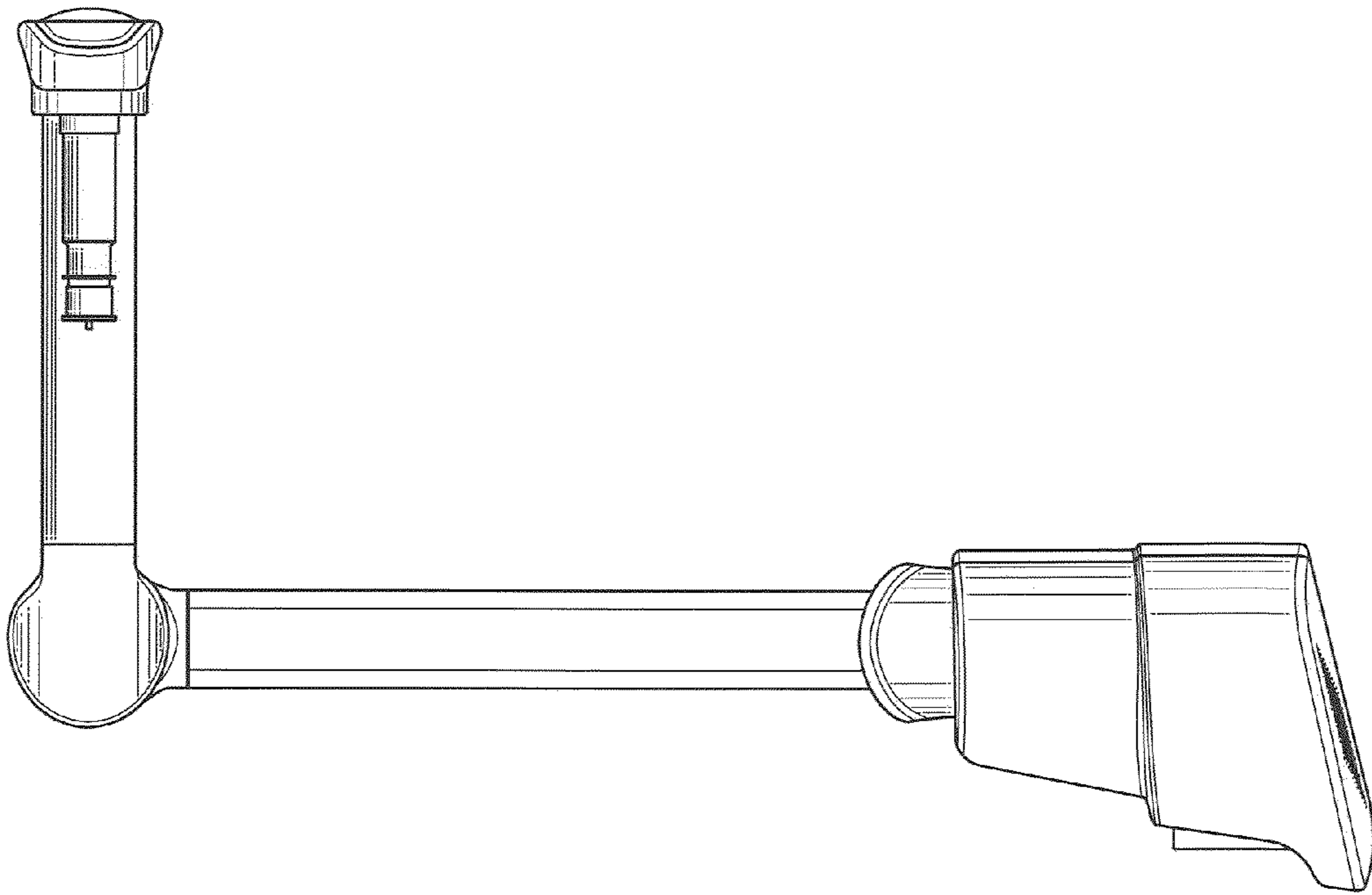


FIG. 4

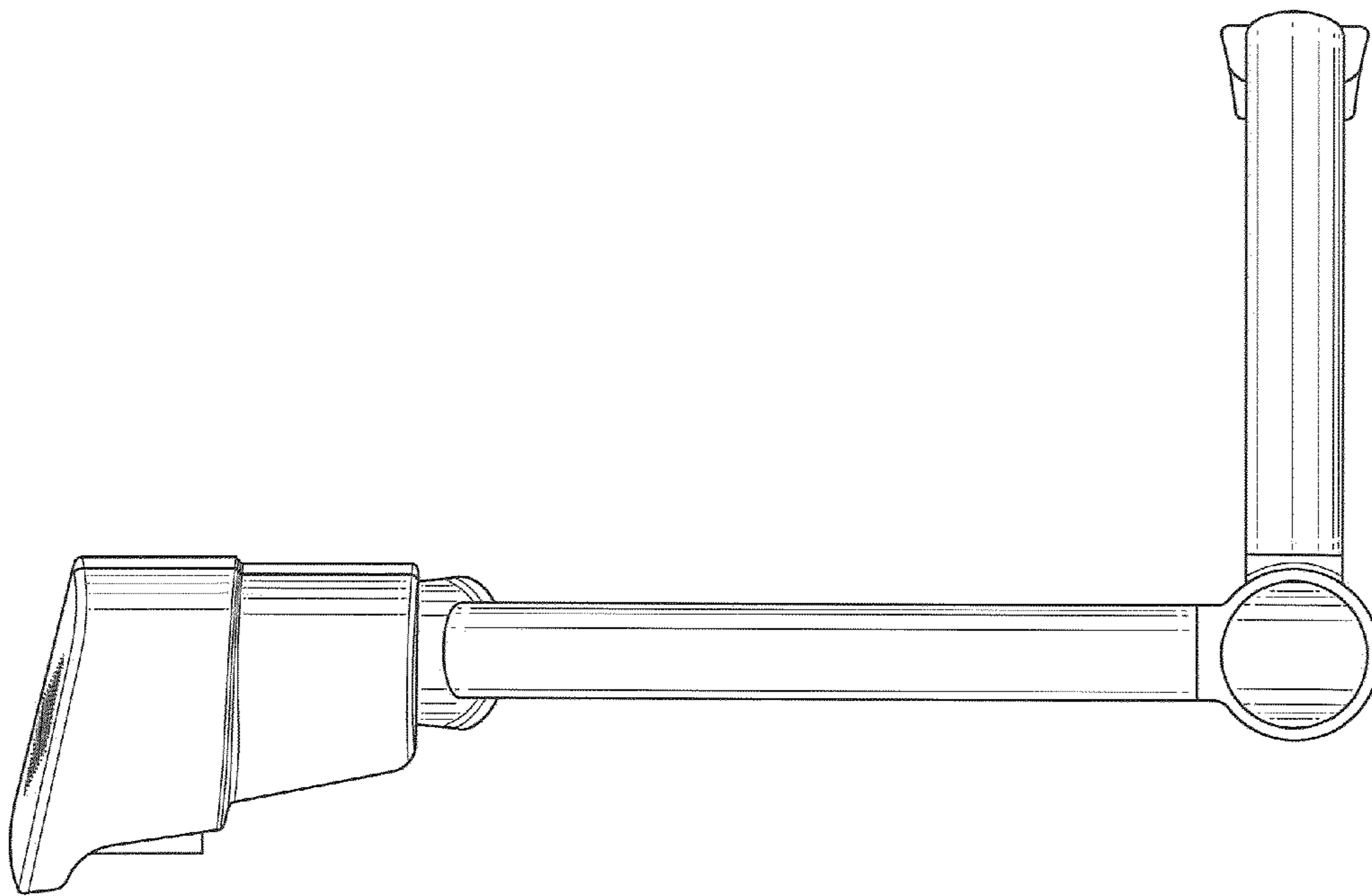


FIG. 5

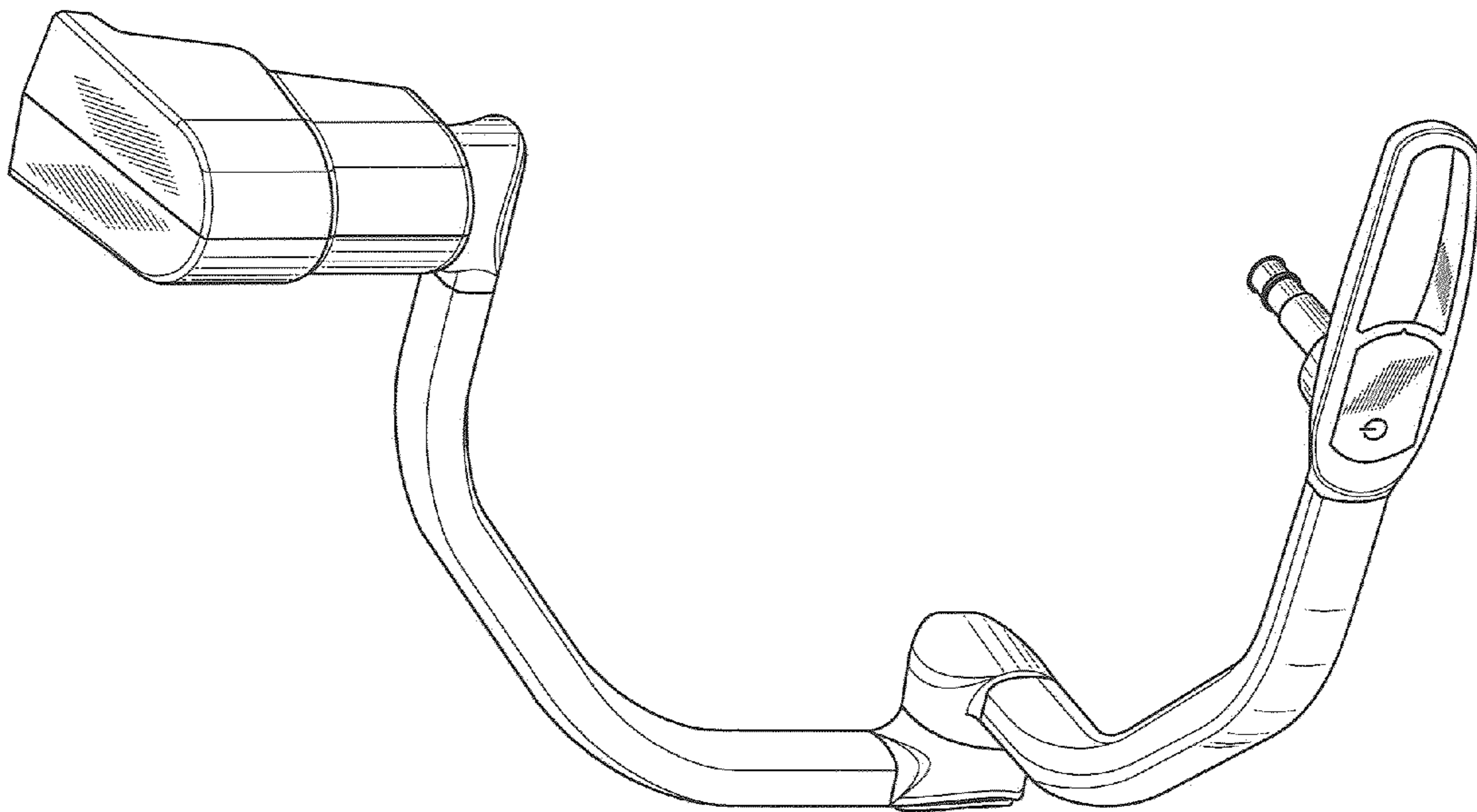


FIG. 6

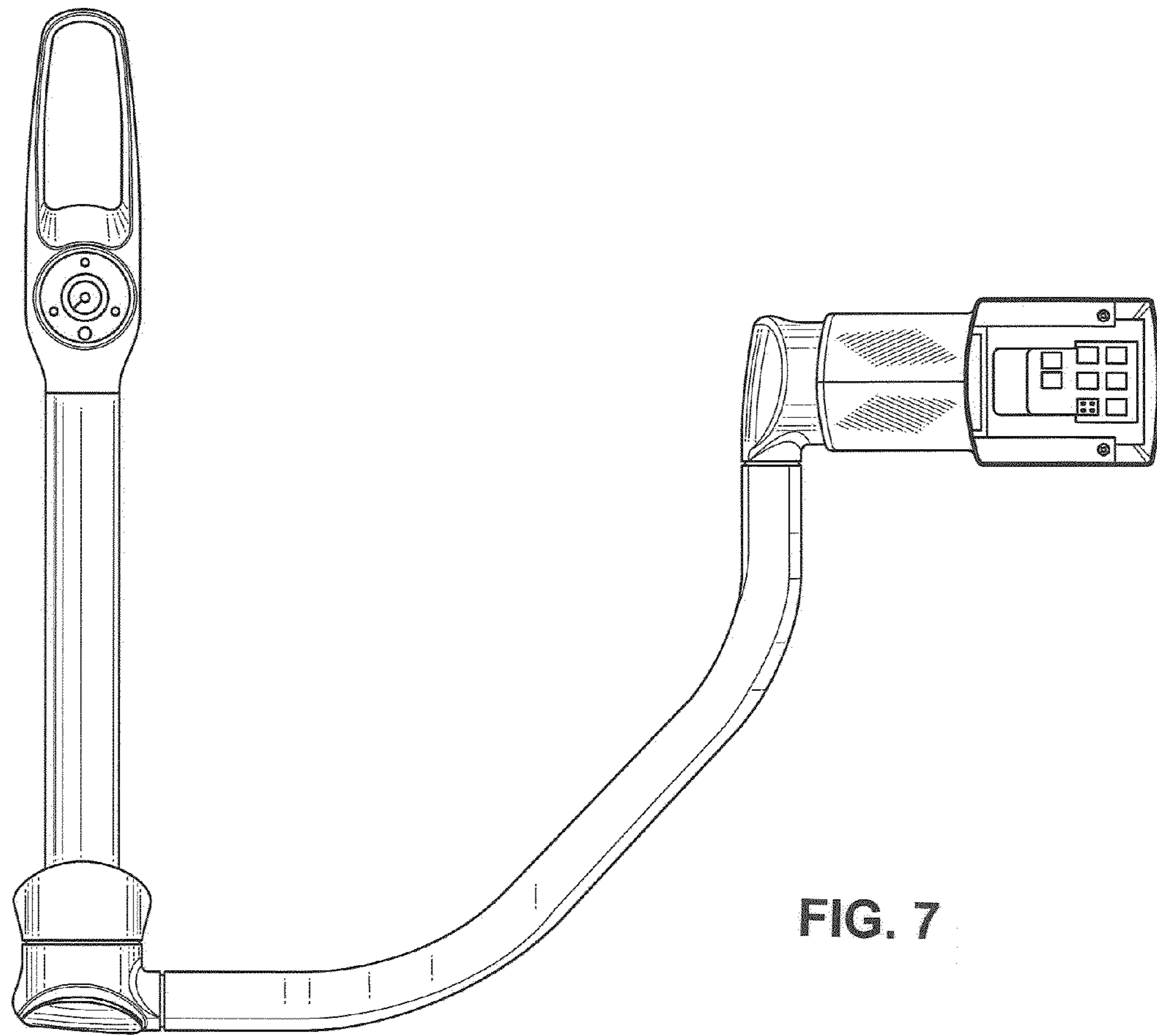


FIG. 7