



US00D711586S

(12) **United States Design Patent**  
**Wilson et al.**

(10) **Patent No.:** **US D711,586 S**

(45) **Date of Patent:** **\*\* Aug. 19, 2014**

(54) **INTERIOR FRAME FOR SOLID STATE LIGHT SOURCE LUMINAIRE**

(75) Inventors: **Andrew Wilson**, Brighton, MA (US);  
**Sara Lincoln**, Somerville, MA (US);  
**Sarah Bazydola**, Belmont, MA (US);  
**Tom Mollnow**, Clearwater, FL (US);  
**Steven King**, Newburyport, MA (US)

(73) Assignee: **Osram Sylvania Inc.**, Danvers, MA (US)

(\*\*) Term: **14 Years**

(21) Appl. No.: **29/422,211**

(22) Filed: **May 17, 2012**

(51) **LOC (10) Cl.** ..... **26-99**

(52) **U.S. Cl.**  
USPC ..... **D26/142**

(58) **Field of Classification Search**

USPC ..... D26/25, 26, 28, 31, 35, 36, 37, 41, 42,  
D26/50, 51, 52, 64, 66, 67, 73, 75, 78, 85,  
D26/88, 89, 90, 103-106, 109, 110, 119,  
D26/123, 125, 129, 131, 135, 136, 138, 140,  
D26/143, 144; D13/179, 180; 362/92, 130,  
362/132, 133, 183, 184, 190, 205, 216,  
362/217.05, 218, 220, 223, 224, 241, 247,  
362/249.03, 249.05-249.1, 249.11, 258,  
362/260, 285, 287, 294.02, 297, 327, 345,  
362/354, 373-379, 410, 418, 419, 510, 516,  
362/558, 561; 248/339, 557, 558; D8/354,  
D8/373, 377, 382; D25/60, 119, 124, 125;  
52/455; 349/59-62, 64-67, 113;  
438/15; 345/102; D12/406; D10/111,  
D10/114.1; D11/121, 125, 144, 145;  
428/11; 257/96, 97, 98, 99

See application file for complete search history.

(56) **References Cited**

**U.S. PATENT DOCUMENTS**

D503,826 S \* 4/2005 Yiu ..... D26/138  
D595,452 S \* 6/2009 Khang et al. .... D26/138

(Continued)

*Primary Examiner* — Zenia Bennett

(74) *Attorney, Agent, or Firm* — Shaun P. Montana

(57) **CLAIM**

The ornamental design for an interior frame for solid state light source luminaire, as shown and described.

**DESCRIPTION**

The present application is related to co-pending U.S. Design patent application Ser. No. 29/422,220, entitled “Ceiling Mounted Luminaire” and filed on May 17, 2012, the entire contents of both of which are hereby incorporated by reference.

This invention was made with U.S. Government support under DOE Cooperative Agreement No. DE-EE0003241, awarded by the U.S. Department of Energy. The U.S. Government may have certain rights in this invention.

FIG. 1 is a perspective view of an embodiment of the ornamental design of an interior frame for solid state light source luminaire.

FIG. 2 is a front view of an embodiment of the ornamental design of an interior frame for solid state light source luminaire.

FIG. 3 is a back view of an embodiment of the ornamental design of an interior frame for solid state light source luminaire.

FIG. 4 is a left view of an embodiment of the ornamental design of an interior frame for solid state light source luminaire.

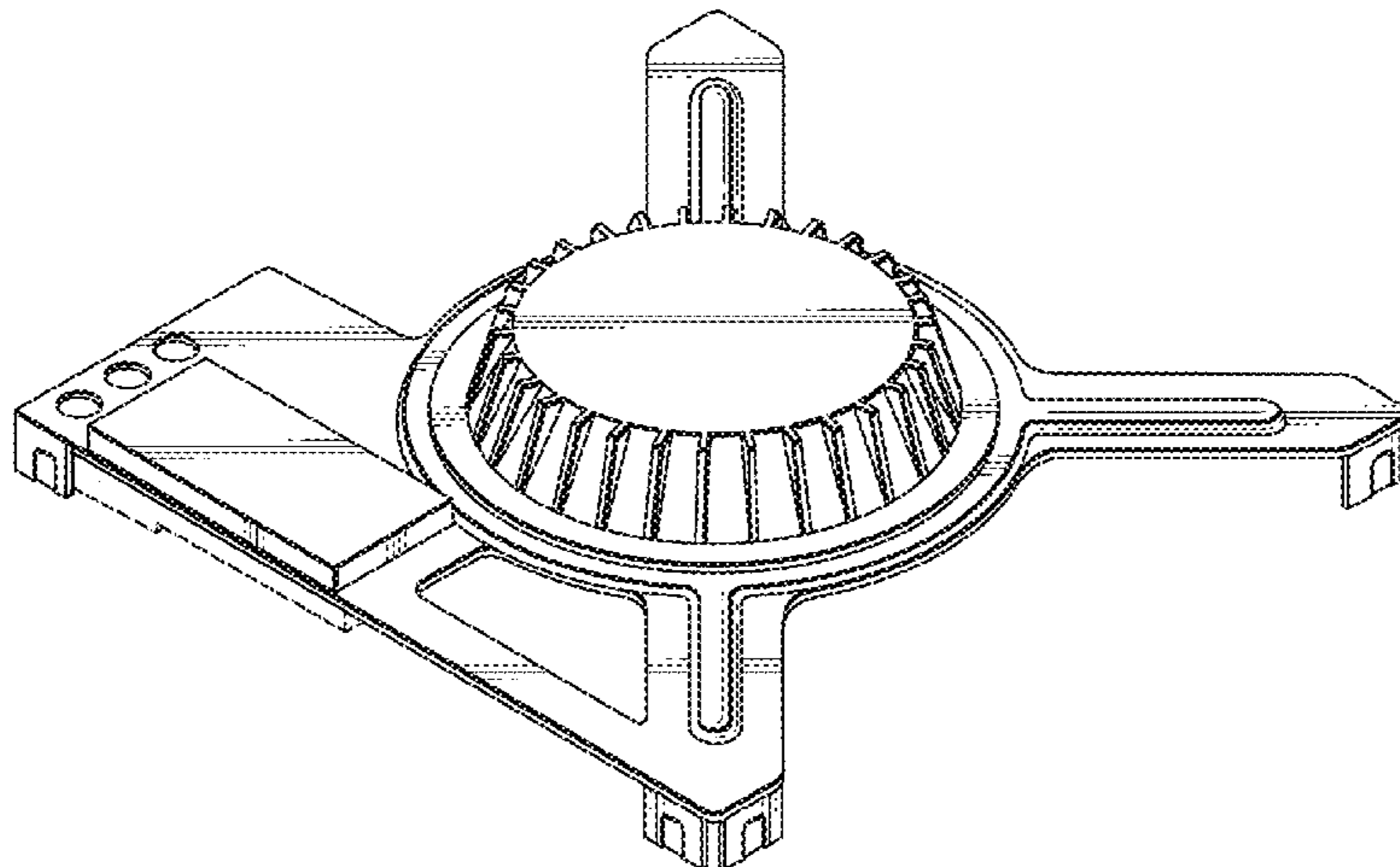
FIG. 5 is a right view of an embodiment of the ornamental design of an interior frame for solid state light source luminaire.

FIG. 6 is a top view of an embodiment of the ornamental design of an interior frame for solid state light source luminaire; and,

FIG. 7 is a bottom view of an embodiment of the ornamental design for an interior frame for solid state light source luminaire.

The broken lines are for environmental purposes only and form no part of the claimed design.

**1 Claim, 5 Drawing Sheets**



# US D711,586 S

Page 2

---

(56)

## References Cited

U.S. PATENT DOCUMENTS

7,744,256 B2	6/2010	Smester	
D645,582 S *	9/2011	Kim et al. ....	D26/2
D651,738 S *	1/2012	Guercio et al. ....	D26/138
D596,765 S *	7/2009	Chiu .....	D26/2

\* cited by examiner

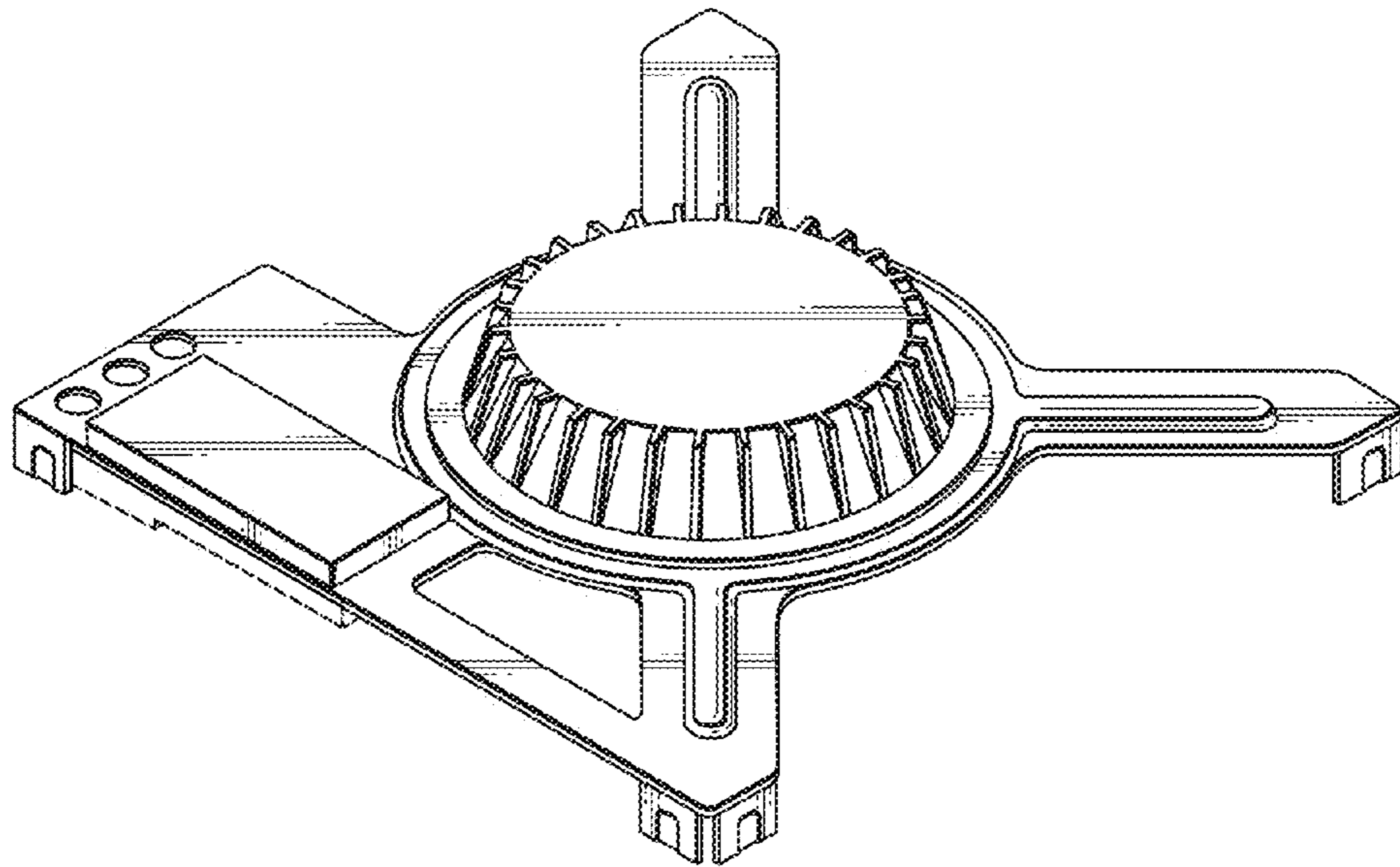


FIG. 1

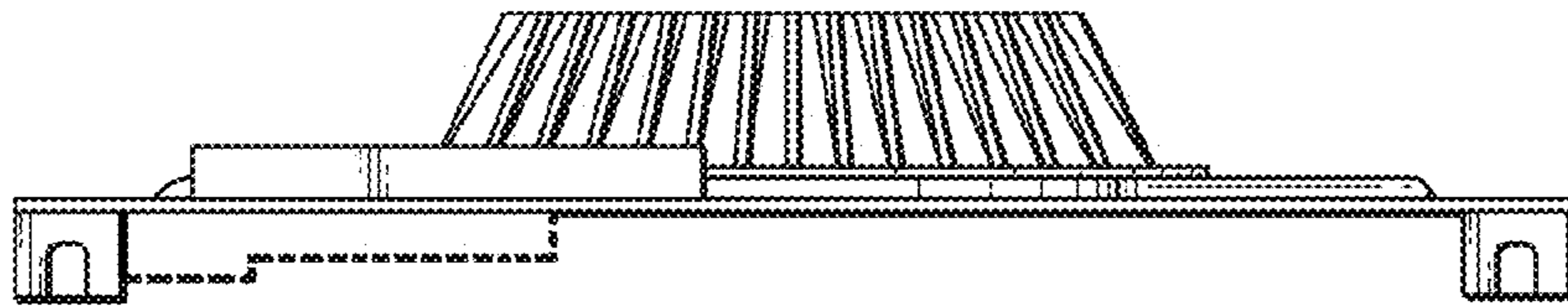


FIG. 2

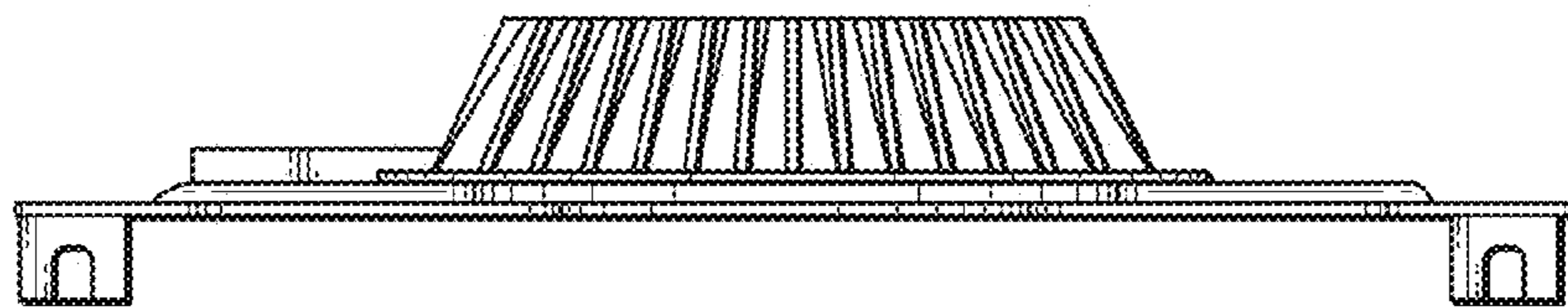


FIG. 3

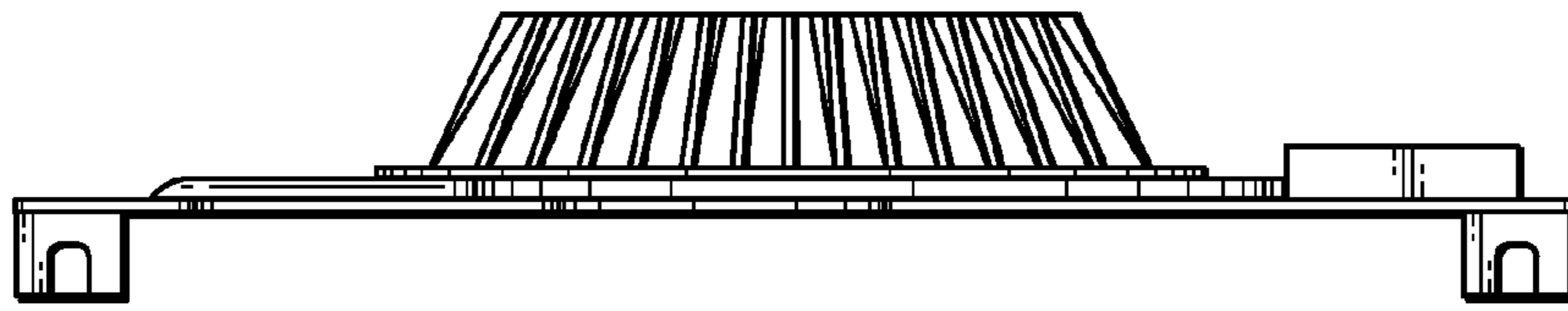


FIG. 4

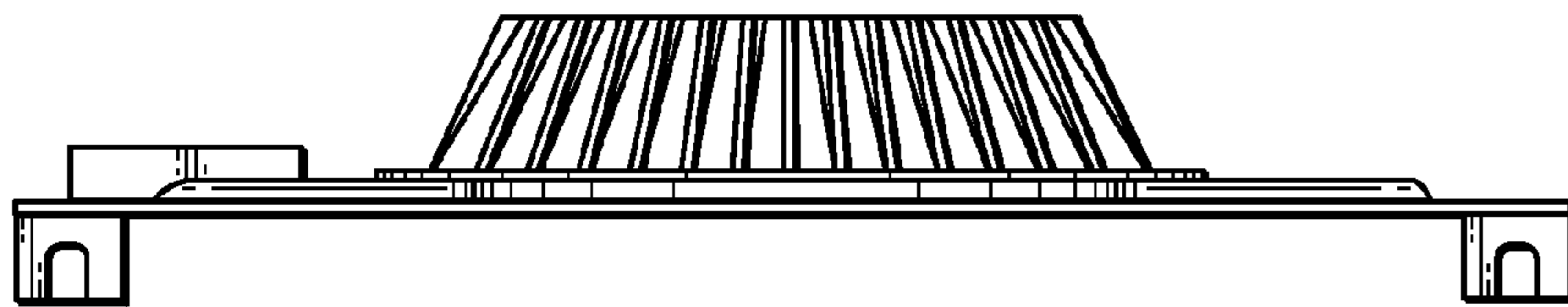


FIG. 5

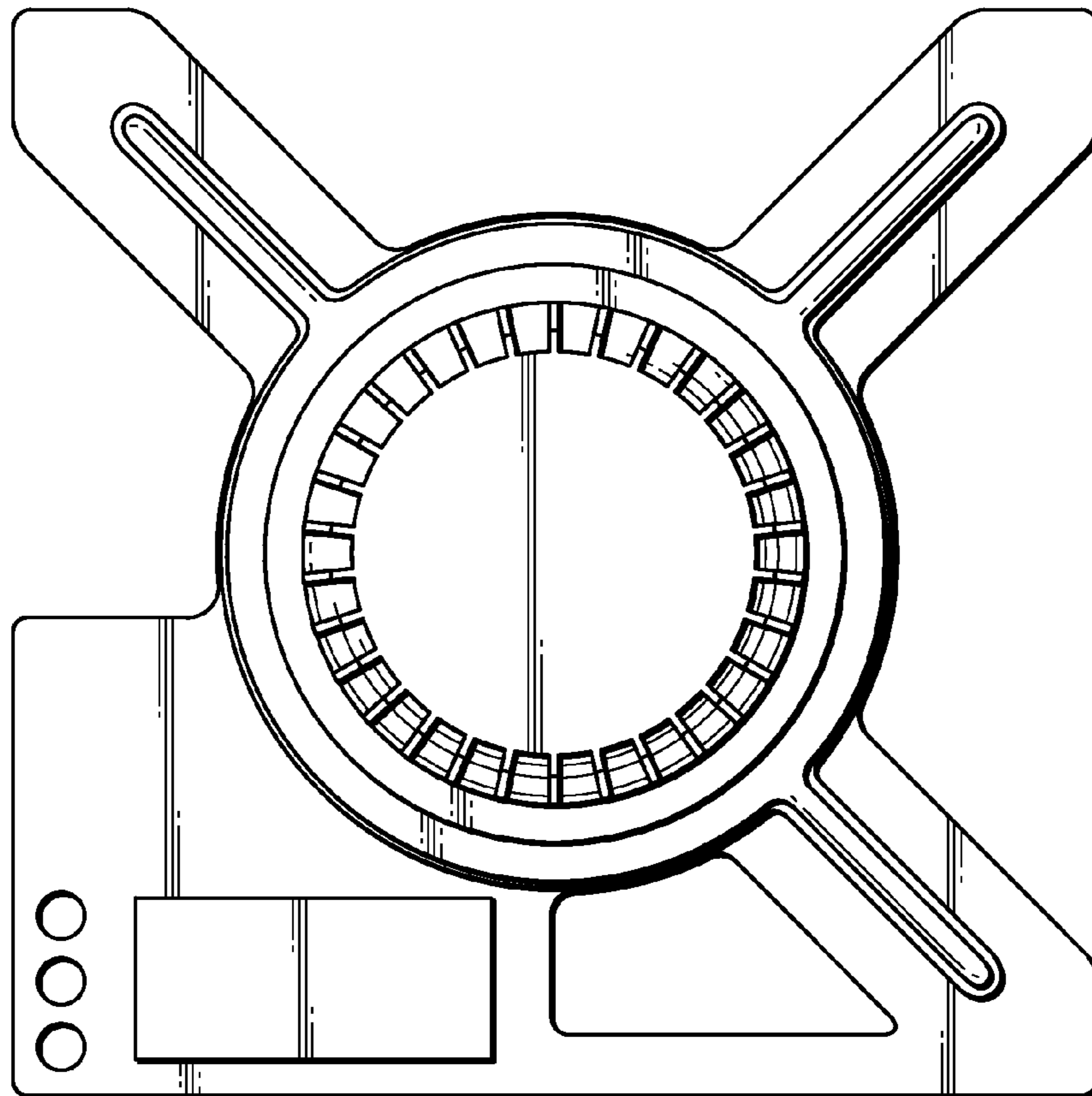


FIG. 6



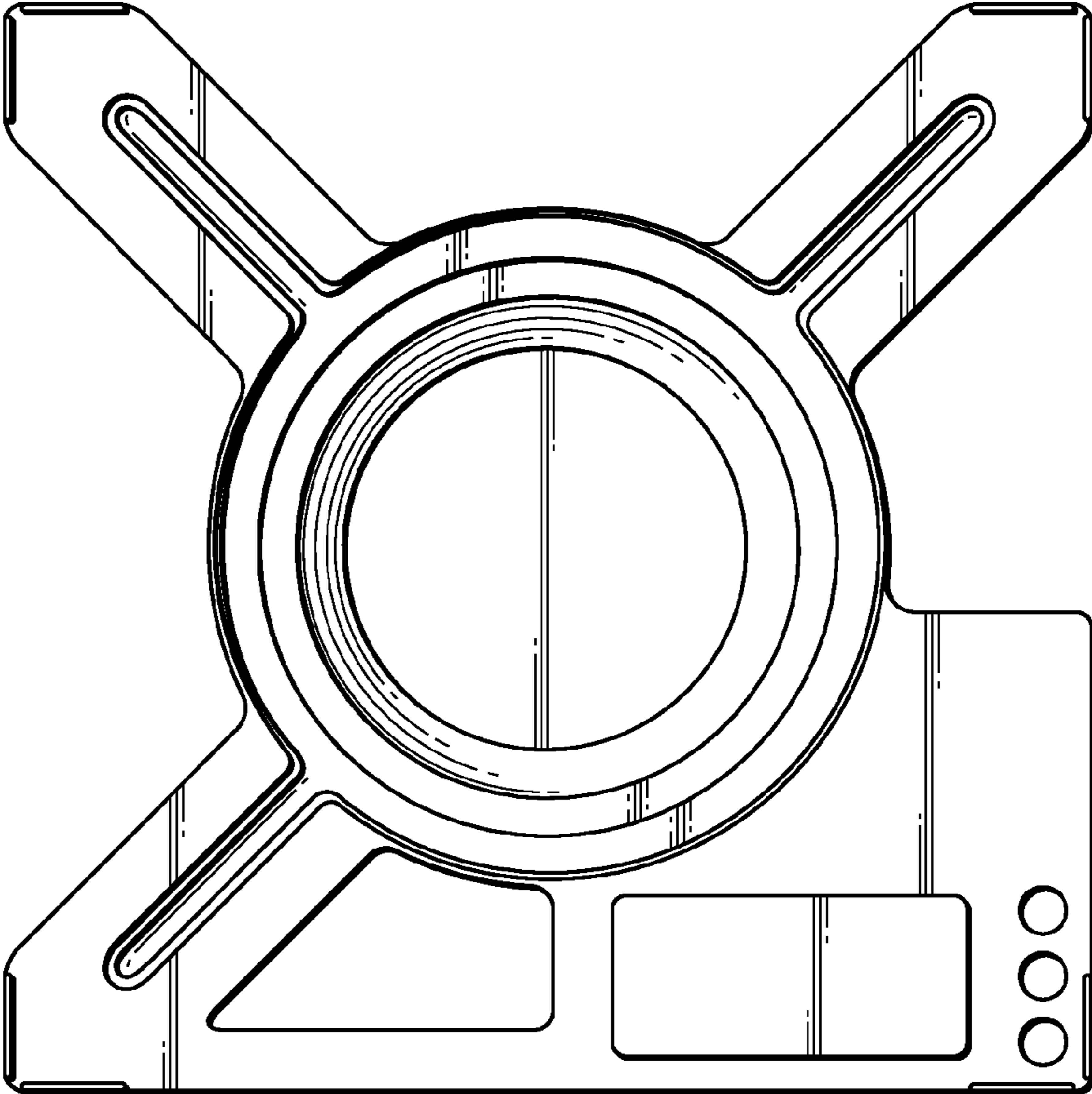


FIG. 7