



US00D711585S

(12) **United States Design Patent**
Jabra

(10) **Patent No.:** **US D711,585 S**

(45) **Date of Patent:** **** Aug. 19, 2014**

(54) **LED STRIP WITH FLEXIBLE SUPPORT**

(76) Inventor: **Paul Jabra**, Troy, MI (US)

(**) Term: **14 Years**

(21) Appl. No.: **29/422,741**

(22) Filed: **May 23, 2012**

(51) **LOC (10) Cl.** **26-99**

(52) **U.S. Cl.**
USPC **D26/138**

(58) **Field of Classification Search**

USPC D26/25, 26, 28, 31, 35, 36, 37, 41, 42,
D26/50, 51, 52, 64, 66, 67, 73, 75, 78, 85,
D26/88, 89, 90, 103-106, 109, 110, 119,
D26/123, 125, 129, 131, 135, 136, 138, 140,
D26/143, 144; D13/179, 180; 362/92, 130,
362/132, 133, 183, 184, 190, 205, 216,
362/217.05, 218, 220, 223, 224, 241, 247,
362/249.03, 249.05-249.1, 249.11, 258,
362/260, 285, 287, 294.02, 297, 327, 345,
362/354, 373-379, 410, 418, 419, 510, 516,
362/558, 561; 248/339, 557, 558; D8/354,
D8/373, 377, 382; D25/60, 119, 124, 125;
52/455; 349/59-62, 64-67, 113;
438/15; 345/102; D12/406; D10/111,
D10/114.1; D11/121, 125, 144, 145;
428/11; 257/96, 97, 98, 99

See application file for complete search history.

(56) **References Cited**

U.S. PATENT DOCUMENTS

1,364,916 A 1/1921 Carse
1,816,220 A 7/1931 Hotchner
2,128,679 A 8/1938 Kielian
4,788,630 A 11/1988 Gavagan
5,101,325 A 3/1992 Davenport et al.
5,150,960 A 9/1992 Redick
5,461,547 A 10/1995 Ciupke et al.

5,786,665 A 7/1998 Ohtsuki et al.
5,947,578 A 9/1999 Ayres
5,997,161 A 12/1999 Stringfellow et al.
6,000,822 A 12/1999 Polizzi et al.
6,160,475 A 12/2000 Hornung et al.
6,210,013 B1 4/2001 Bousfield
6,239,851 B1 5/2001 Hatazawa et al.
6,386,720 B1 5/2002 Mochizuki
6,464,381 B2 10/2002 Anderson et al.
6,533,445 B1 3/2003 Rogers

(Continued)

FOREIGN PATENT DOCUMENTS

DE 10248897 A1 8/2003
EP 0072963 A2 3/1983

(Continued)

Primary Examiner — Zenia Bennett

(74) *Attorney, Agent, or Firm* — Dickinson Wright PLLC

(57) **CLAIM**

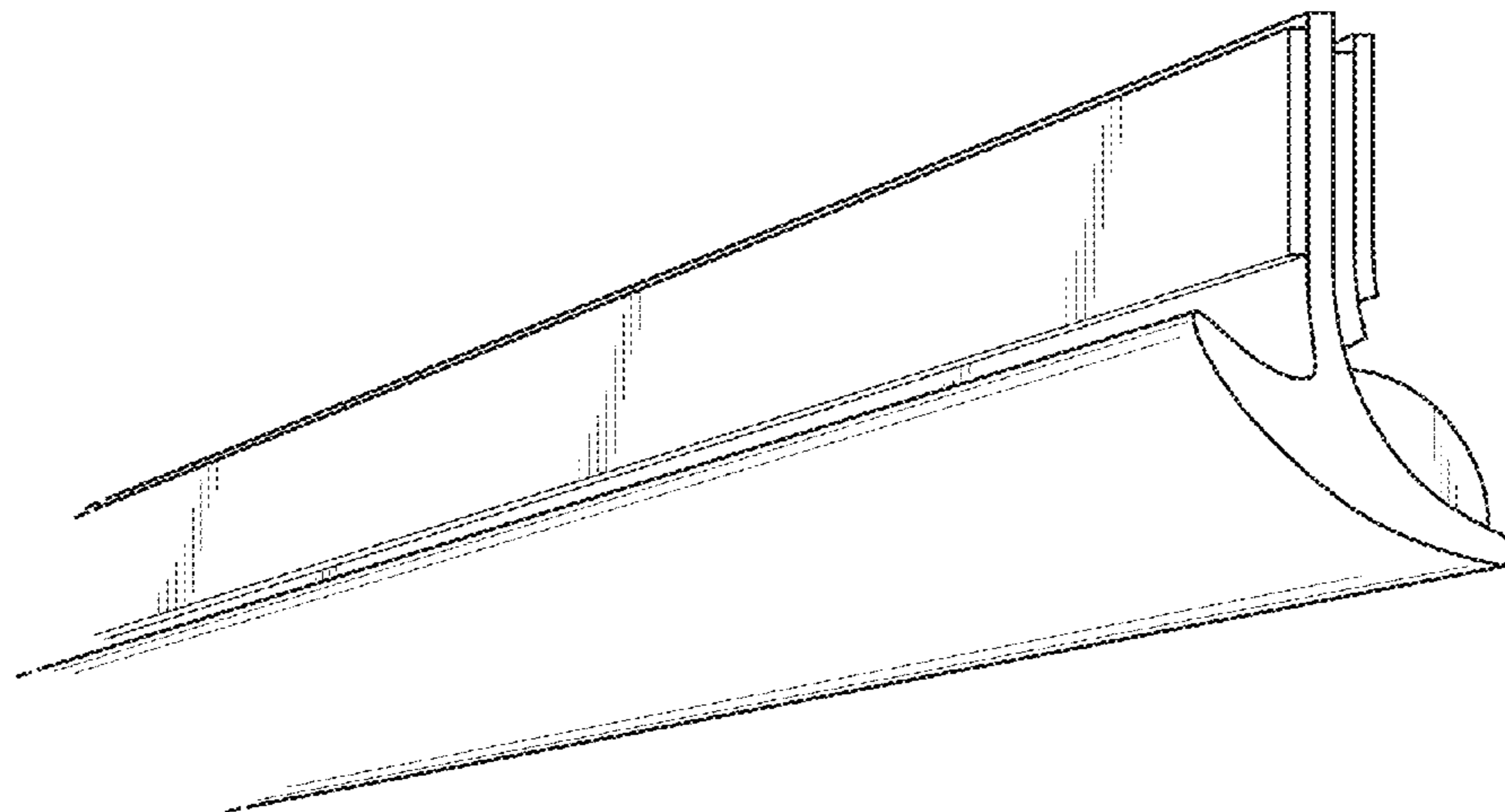
The ornamental design for a LED strip with flexible support, as shown and described.

DESCRIPTION

FIG. 1 is a perspective view of the LED strip with flexible support;
FIG. 2 is a front view of the LED strip with flexible support of FIG. 1;
FIG. 3 is a rear view of the LED strip with flexible support of FIG. 1;
FIG. 4 is an end view of the of the LED strip with flexible support of FIG. 1;
FIG. 5 is a top view of the LED strip with flexible support of FIG. 1; and,
FIG. 6 is a bottom view of the LED strip with support of FIG. 1.

The broken lines in the drawing are for illustrative purposes only and form no part of the claimed design.

1 Claim, 2 Drawing Sheets



(56)

References Cited

U.S. PATENT DOCUMENTS

6,860,224 B2 3/2005 Snider
 6,874,922 B2 4/2005 Matsuura et al.
 6,883,926 B2 4/2005 Wojnarowski
 6,883,949 B2 4/2005 Goto
 6,890,089 B2 5/2005 Haering et al.
 6,974,238 B2 12/2005 Sturt et al.
 7,052,152 B2 5/2006 Harbers et al.
 7,210,829 B2 5/2007 Okazaki et al.
 7,237,933 B2 7/2007 Radu et al.
 7,276,854 B1 10/2007 Deutsch et al.
 7,293,906 B2 11/2007 Mok et al.
 7,316,494 B2 1/2008 Eichhorn et al.
 7,413,321 B2 8/2008 Kim
 D577,857 S * 9/2008 Tress et al. D26/141
 7,431,484 B2 10/2008 Fong
 7,607,812 B2 10/2009 Kim
 7,699,512 B2 4/2010 Mueller et al.
 7,845,836 B2 12/2010 Okuda
 8,016,465 B2 9/2011 Egerer et al.
 D649,689 S * 11/2011 Trzesniowski D26/138
 D649,690 S * 11/2011 Trzesniowski D26/138
 8,075,173 B2 12/2011 Shallcross et al.
 8,096,671 B1 1/2012 Cronk et al.
 D683,893 S * 6/2013 Ransvi D26/138
 2003/0053307 A1 3/2003 Talamo et al.
 2003/0081411 A1 5/2003 Noda et al.
 2003/0128549 A1 7/2003 Matsuura et al.
 2004/0066645 A1 4/2004 Graf et al.
 2004/0179348 A1 9/2004 Pesenti

2004/0264160 A1 12/2004 Bienick
 2004/0264161 A1 12/2004 Wu
 2005/0116235 A1 6/2005 Schultz et al.
 2005/0185395 A1 8/2005 Pinter
 2005/0185421 A1 8/2005 Hayakawa
 2006/0002141 A1 1/2006 Ouderkirk et al.
 2006/0087826 A1 4/2006 Anderson
 2006/0098453 A1 5/2006 Kuo
 2006/0114693 A1 6/2006 Chou et al.
 2006/0262554 A1 11/2006 Mok et al.
 2007/0127229 A1 6/2007 Lee et al.
 2007/0139961 A1 6/2007 Cheah et al.
 2007/0230212 A1 10/2007 Misof
 2007/0240346 A1 10/2007 Li et al.
 2007/0268709 A1 11/2007 Oketani et al.
 2009/0196058 A1 8/2009 Ishida et al.
 2009/0219730 A1 9/2009 Syfert et al.
 2010/0214795 A1 8/2010 Salter et al.
 2010/0313498 A1 12/2010 Paidar et al.
 2011/0211362 A1 9/2011 Heiden et al.

FOREIGN PATENT DOCUMENTS

EP 1705626 A1 9/2006
 FR 2054877 A 5/1971
 JP 5181134 7/1993
 JP 10119669 5/1998
 JP 10129344 5/1998
 JP 2000313279 11/2000
 WO WO2007103394 A2 9/2007

* cited by examiner

FIG. 1

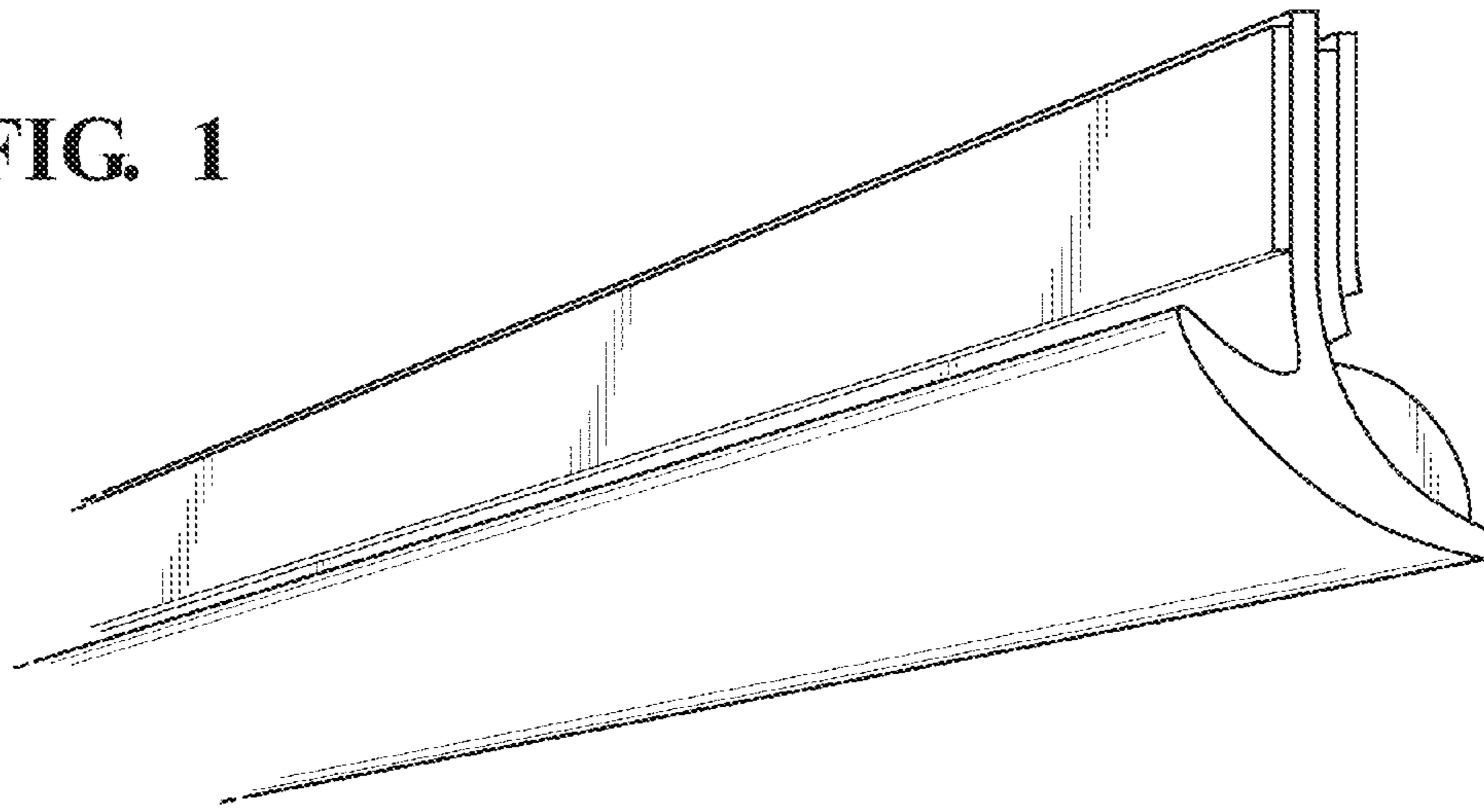


FIG. 2

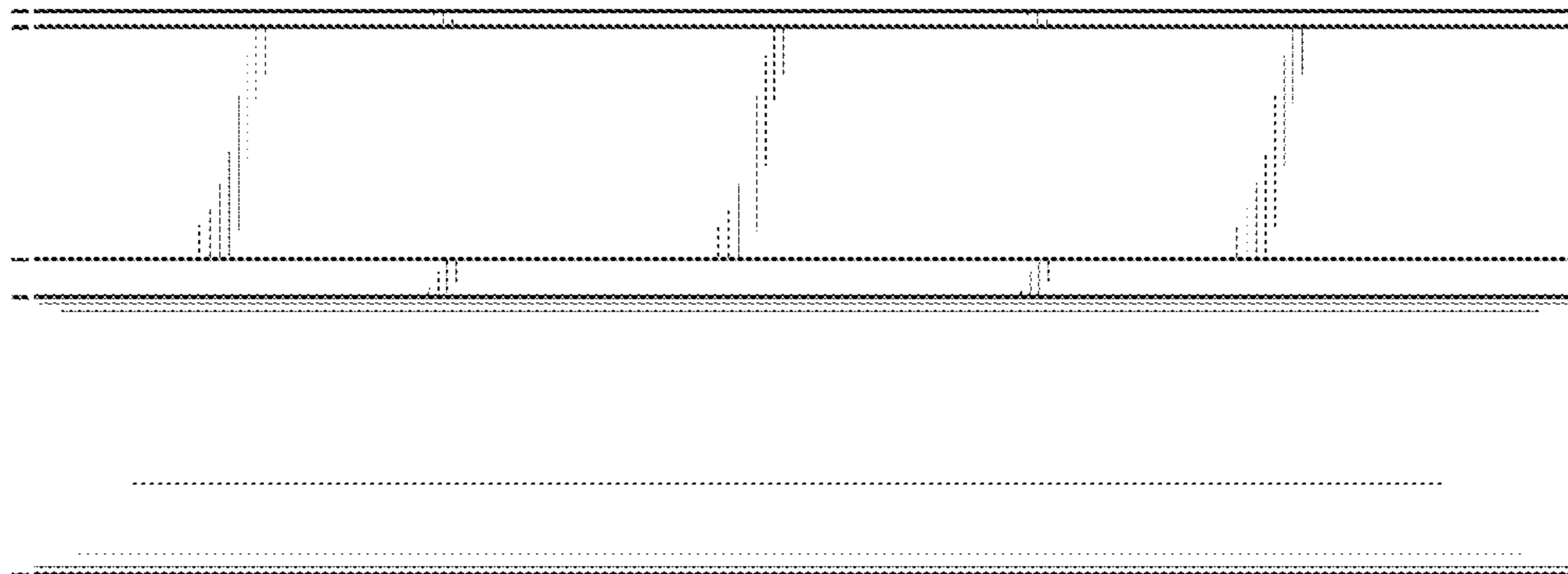


FIG. 3

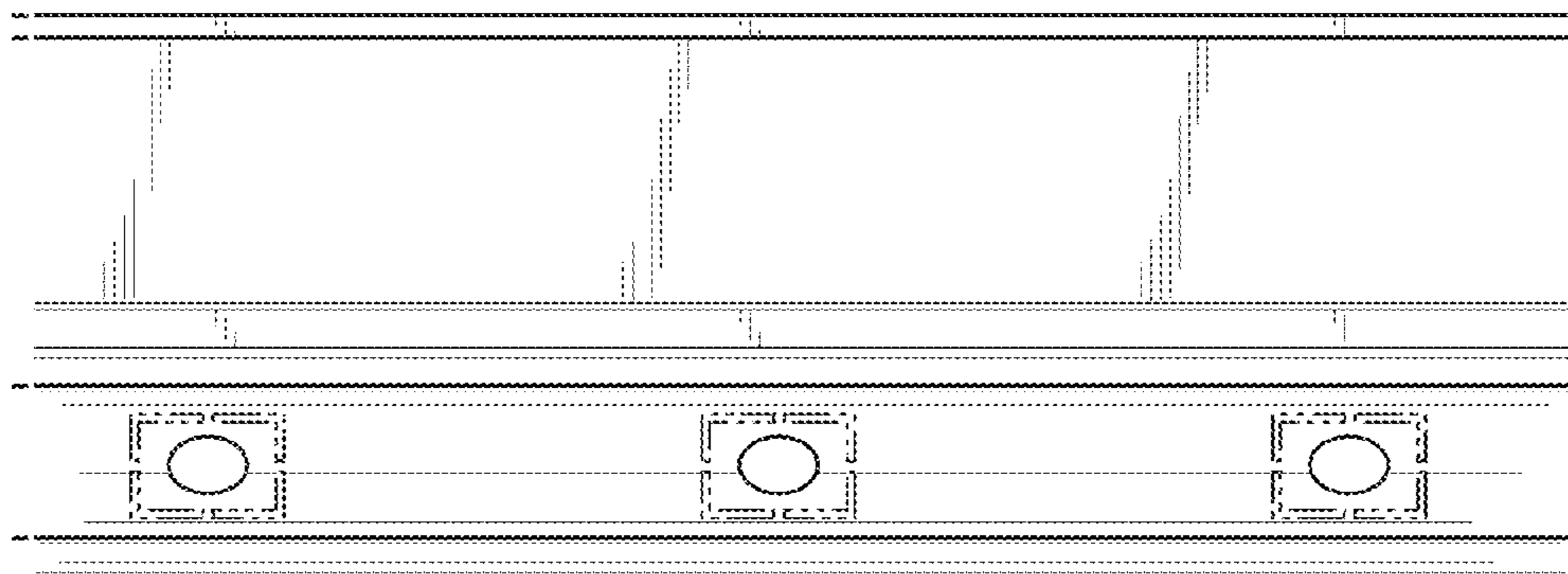


FIG. 4

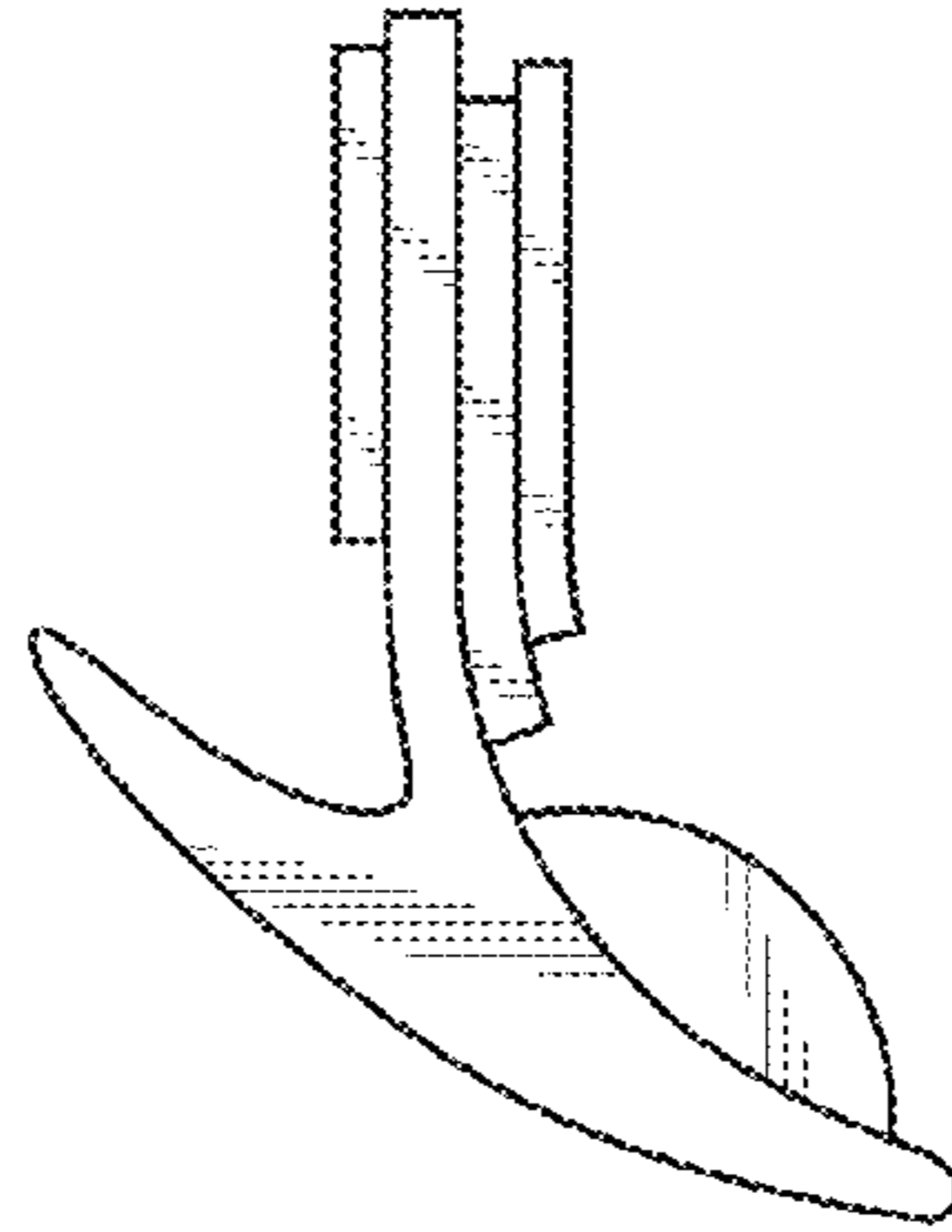


FIG. 5

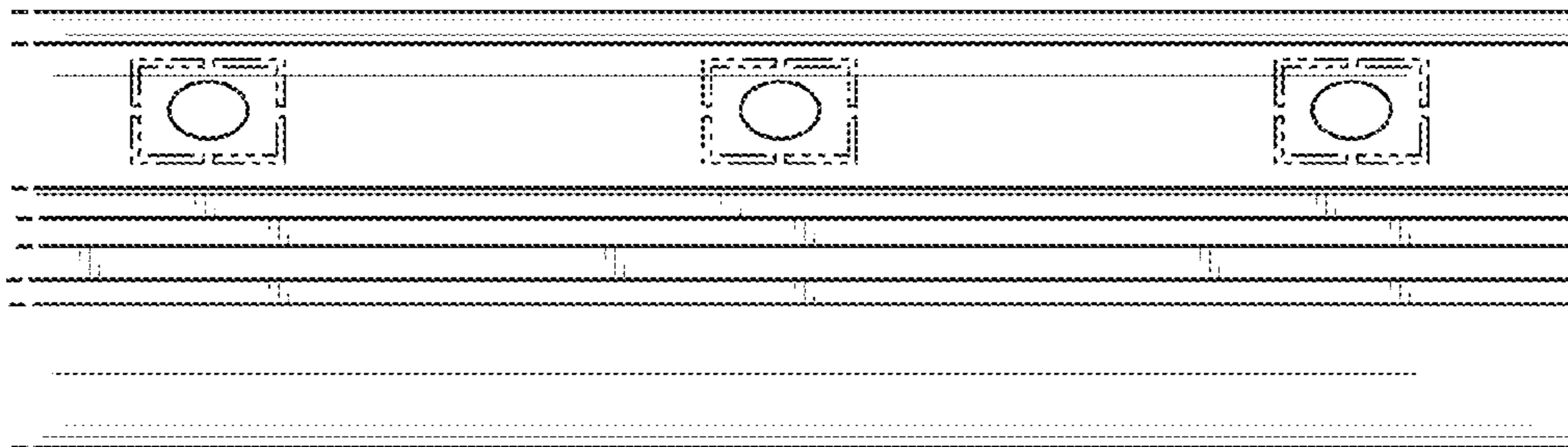


FIG. 6

