



US00D711583S

(12) **United States Design Patent**  
**Cho et al.**

(10) **Patent No.:** **US D711,583 S**

(45) **Date of Patent:** **\*\* Aug. 19, 2014**

(54) **LIGHTING ELEMENT**

(75) Inventors: **Meoung Whan Cho**, Yongin (KR); **Seog Woo Lee**, Yongin (KR); **Ryuichi Toba**, Tokyo (JP); **Yoshitaka Kadowaki**, Tokyo (JP)

(73) Assignees: **Wavesquare Inc.**, Yongin (KR); **Dowa Electronics Materials Co., Ltd.**, Tokyo (JP)

(\*\*) Term: **14 Years**

(21) Appl. No.: **29/416,692**

(22) Filed: **Mar. 26, 2012**

(30) **Foreign Application Priority Data**

Sep. 28, 2011 (JP) ..... 2011-022211

(51) **LOC (10) Cl.** ..... **26-99**

(52) **U.S. Cl.**  
USPC ..... **D26/120**

(58) **Field of Classification Search**

USPC ..... D26/113, 1, 2, 3, 72, 76, 120, 119, 124, D26/125, 78, 77, 138, 122, 123, 74, 75, 118, D26/68, 62, 65, 127, 128, 142, 66, 69, 73, D26/84, 86, 89, 45, 56, 57, 58, 59, 64, 67, D26/82, 126, 134, 135, 136, 143, 145, 71, D26/121, 129, 131, 132, 137, 140, 141, 151, D26/152, 155, 154; 362/294, 374, 249.02, 362/154, 326; D13/110, 134, 146, 179, 180  
See application file for complete search history.

(56) **References Cited**

**U.S. PATENT DOCUMENTS**

6,015,221 A \* 1/2000 Bodell ..... 362/427  
6,162,079 A \* 12/2000 Slazakowski ..... 439/244

6,217,189 B1 \* 4/2001 Nassim ..... 362/147  
6,406,194 B1 \* 6/2002 Neale et al. .... 385/76  
6,474,846 B1 \* 11/2002 Kelmelis et al. .... 362/365  
6,679,726 B1 \* 1/2004 Tunn et al. .... 439/565  
D501,272 S \* 1/2005 Opolka ..... D26/138  
7,011,439 B1 \* 3/2006 Kane et al. .... 362/554  
D582,064 S \* 12/2008 Mukai ..... D26/24  
D593,248 S \* 5/2009 Quintin ..... D26/138

**FOREIGN PATENT DOCUMENTS**

JP S-1349212 1/2009

\* cited by examiner

*Primary Examiner* — Kevin Rudzinski

(74) *Attorney, Agent, or Firm* — Oliff PLC

(57) **CLAIM**

The ornamental design for a lighting element, as shown and described.

**DESCRIPTION**

FIG. 1 is a front view of a lighting element;  
FIG. 2 is a top view thereof;  
FIG. 3 is a right-side view thereof, the left-side view and the rear view being mirror images of the right-side view;  
FIG. 4 is a bottom view thereof;  
FIG. 5 is a perspective view thereof; and,  
FIG. 6 is a cross-sectional view thereof taken along lines 6-6 in FIG. 2.

Only the portions with the dark surface shading form part of the claimed design.

The dot-chain lines illustrate a boundary between claimed and unclaimed surfaces and form no part of the claimed design.

The broken lines depict portions of the lighting element and form no part of the claimed design.

**1 Claim, 6 Drawing Sheets**

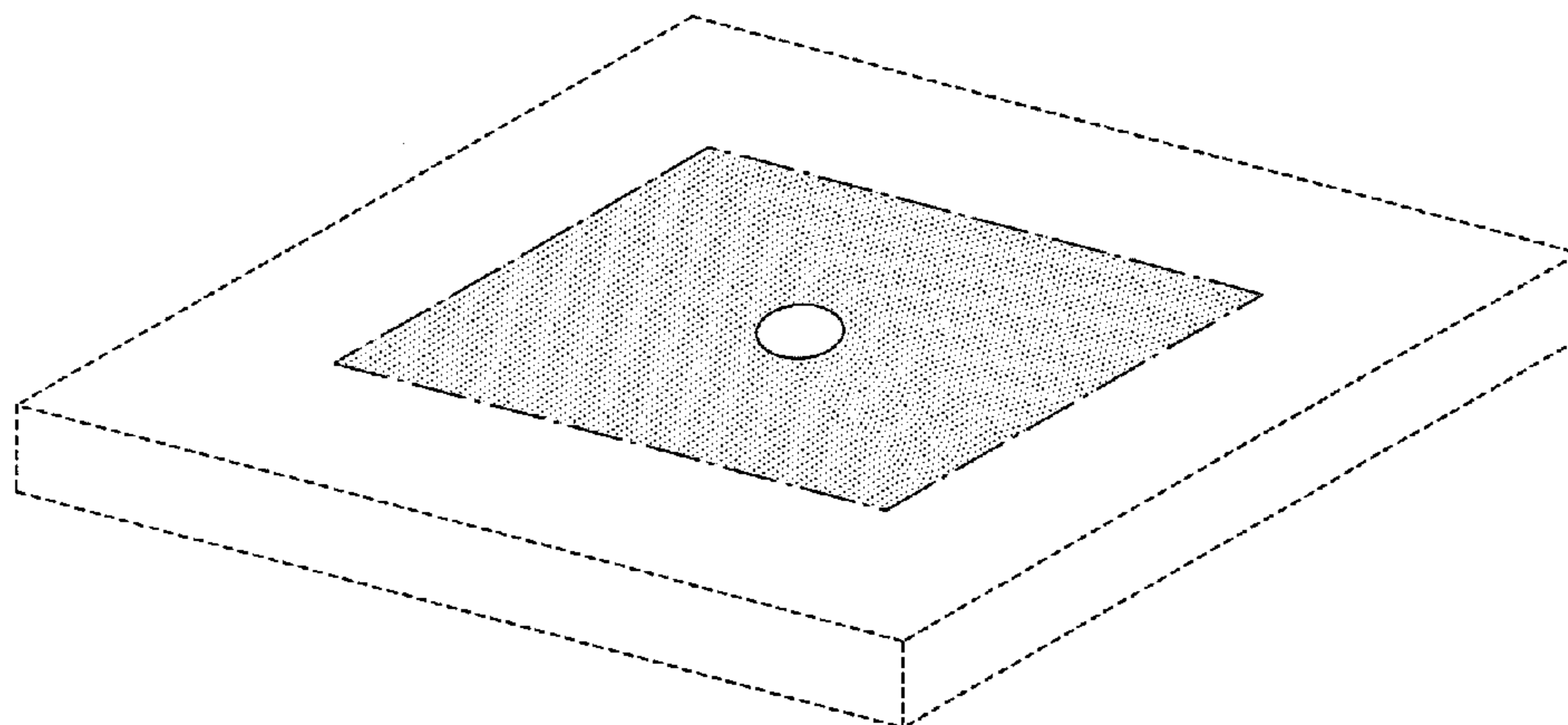


Fig. 1



Fig. 2

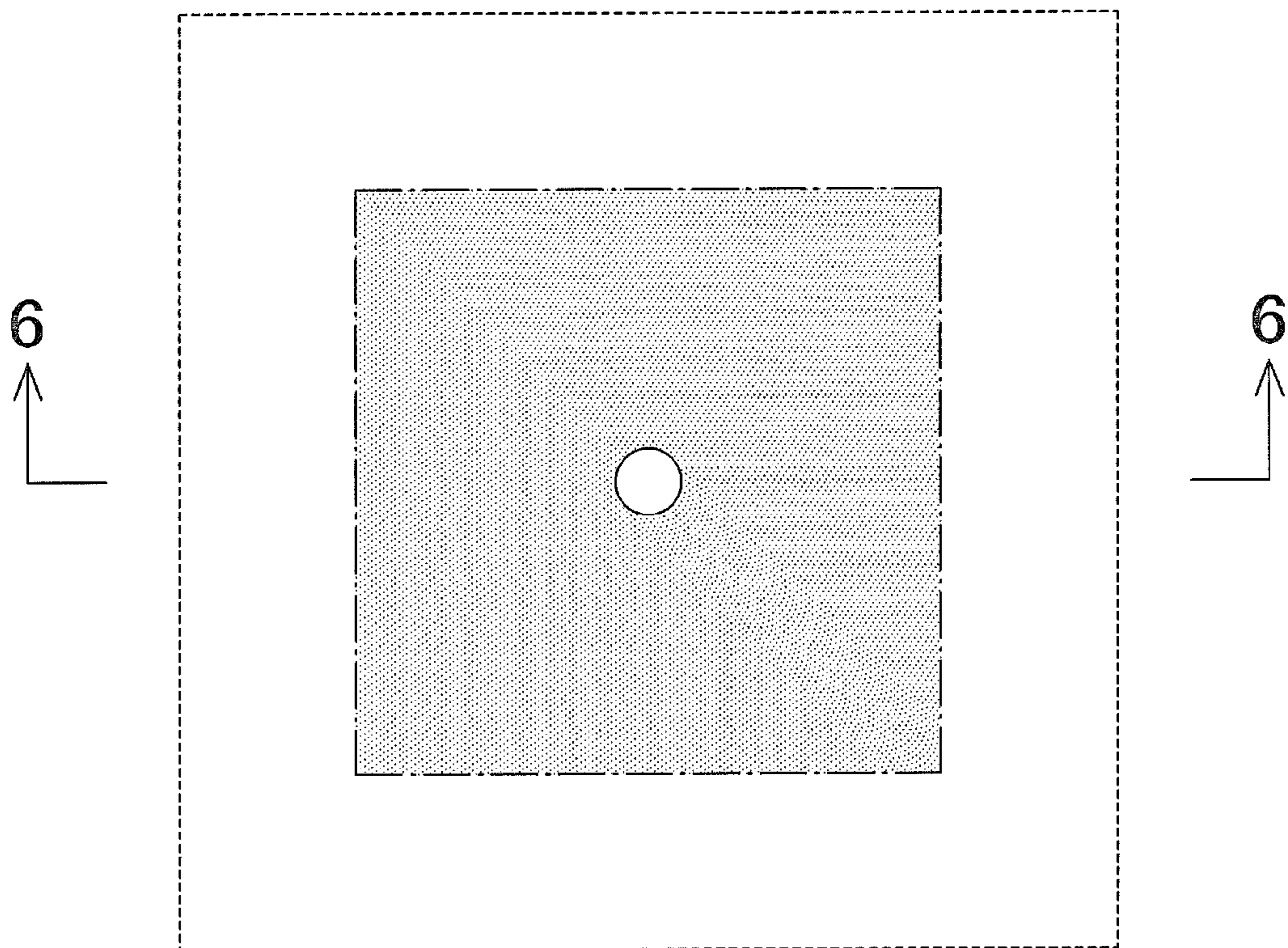


Fig. 3



Fig. 4

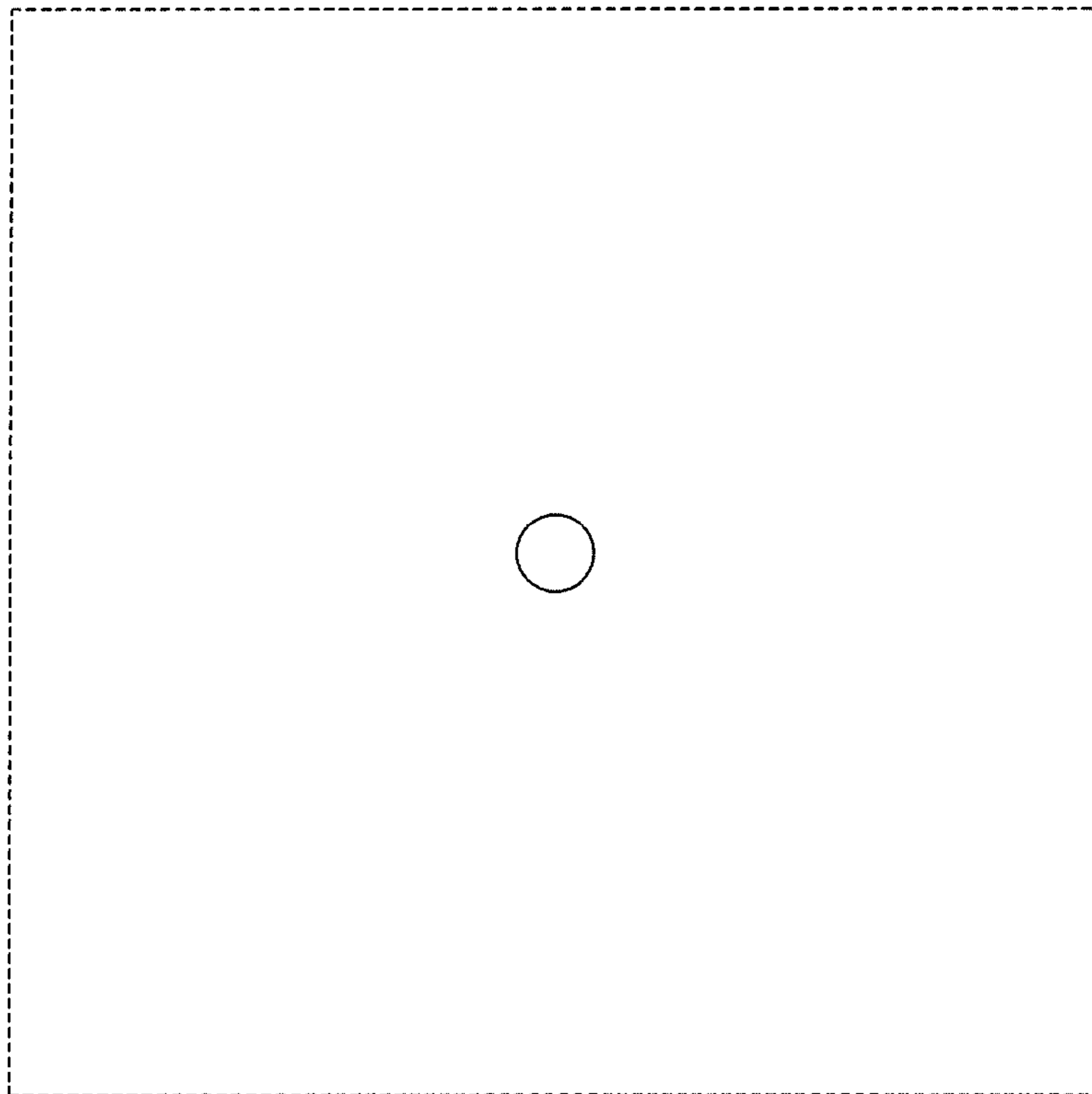


Fig. 5

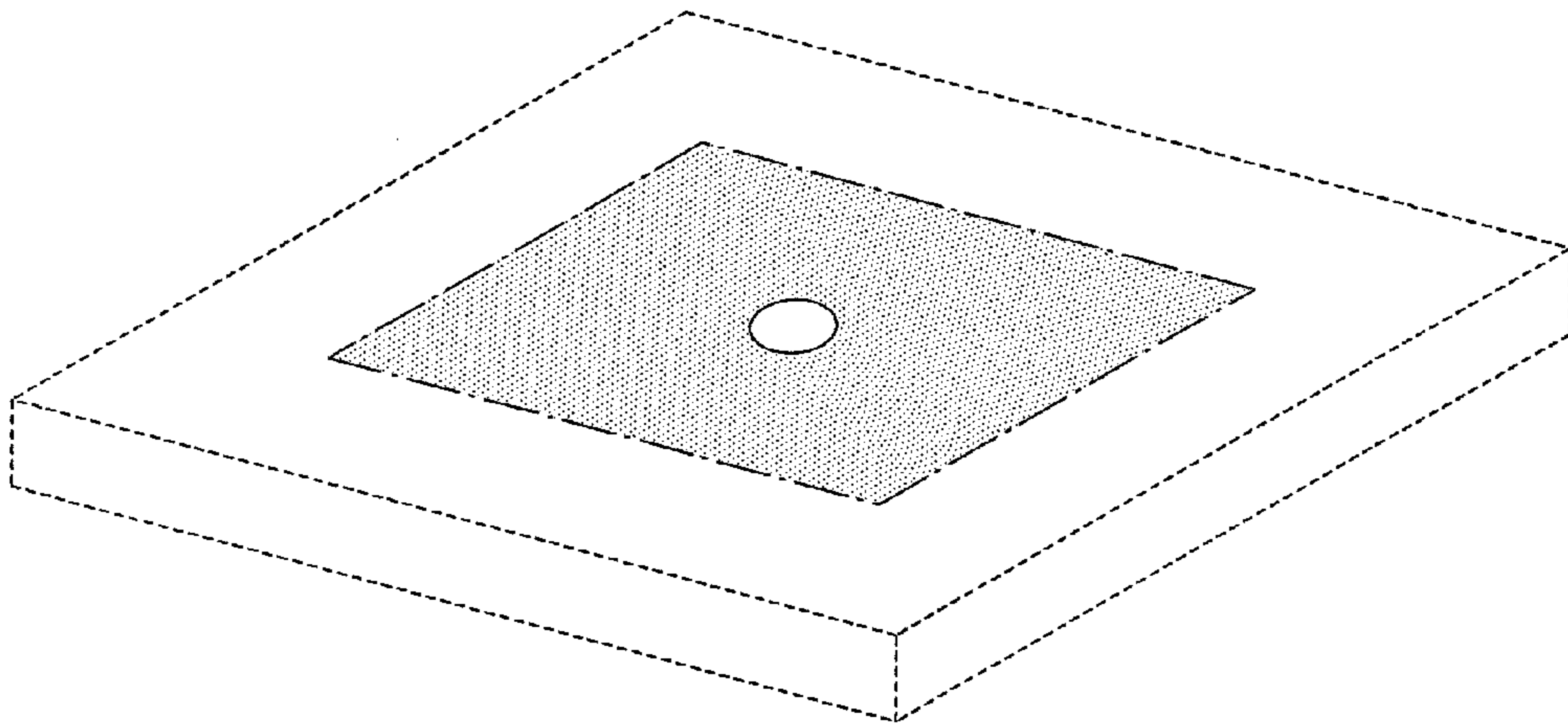


Fig. 6

