



US00D711582S

(12) **United States Design Patent**
Cho et al.

(10) **Patent No.:** **US D711,582 S**

(45) **Date of Patent:** **** Aug. 19, 2014**

(54) **LIGHTING ELEMENT**

(75) Inventors: **Meoung Whan Cho**, Yongin (KR); **Seog Woo Lee**, Yongin (KR); **Ryuichi Toba**, Tokyo (JP); **Yoshitaka Kadowaki**, Tokyo (JP)

(73) Assignees: **Wavesquare Inc.**, Yongin (KR); **Dowa Electronics Materials Co., Ltd.**, Tokyo (JP)

(**) Term: **14 Years**

(21) Appl. No.: **29/416,684**

(22) Filed: **Mar. 26, 2012**

(30) **Foreign Application Priority Data**

Sep. 28, 2011 (JP) 2011-022212

(51) **LOC (10) Cl.** **26-99**

(52) **U.S. Cl.**
USPC **D26/120**

(58) **Field of Classification Search**
USPC D26/113, 1, 2, 3, 72, 76, 120, 119, 124, D26/125, 78, 77, 138, 122, 123, 74, 75, 118, D26/68, 62, 65, 127, 128, 142, 66, 69, 73, D26/84, 86, 89, 45, 56, 57, 58, 59, 64, 67, D26/82, 126, 134, 135, 136, 143, 145, 71, D26/121, 129, 131, 132, 137, 140, 141, 151, D26/152, 155, 154; 362/294, 374, 249.02, 362/154, 326; D13/110, 134, 146, 179, 180
See application file for complete search history.

(56) **References Cited**

U.S. PATENT DOCUMENTS

4,831,755 A * 5/1989 Rodriguez 40/716
D402,390 S * 12/1998 Smedley et al. D26/87

6,241,362 B1 * 6/2001 Morrison 362/231
D453,521 S * 2/2002 Haruna et al. D14/478
6,474,846 B1 * 11/2002 Kelmelis et al. 362/365
D495,087 S * 8/2004 Brown et al. D26/118
7,025,477 B2 * 4/2006 Blessing et al. 362/364
7,063,441 B2 * 6/2006 Kramer et al. 362/240
D536,473 S * 2/2007 Tan D26/93
D641,520 S * 7/2011 Grajcar D26/152
D663,881 S * 7/2012 Janssen D26/74
D681,867 S * 5/2013 Wegger et al. D26/124

* cited by examiner

Primary Examiner — Kevin Rudzinski

(74) *Attorney, Agent, or Firm* — Oliff PLC

(57) **CLAIM**

The ornamental design for the lighting element, as shown and described.

DESCRIPTION

FIG. 1 is a front view of the lighting element;
FIG. 2 is a top view thereof;
FIG. 3 is a right-side view thereof, the left-side view being a mirror image of the right-side view;
FIG. 4 is a rear view thereof;
FIG. 5 is a bottom view thereof;
FIG. 6 is a perspective view thereof; and,
FIG. 7 is a cross-sectional view thereof taken along lines 7-7 in FIG. 2.

Only the portions with the dark surface shading form part of the claimed design.

The dashed lines at certain portions of the circumference of the claimed surface illustrate a boundary between claimed and unclaimed surfaces and form no part of the claimed design.

The broken lines depict portions of the lighting element and form no part of the claimed design.

1 Claim, 7 Drawing Sheets

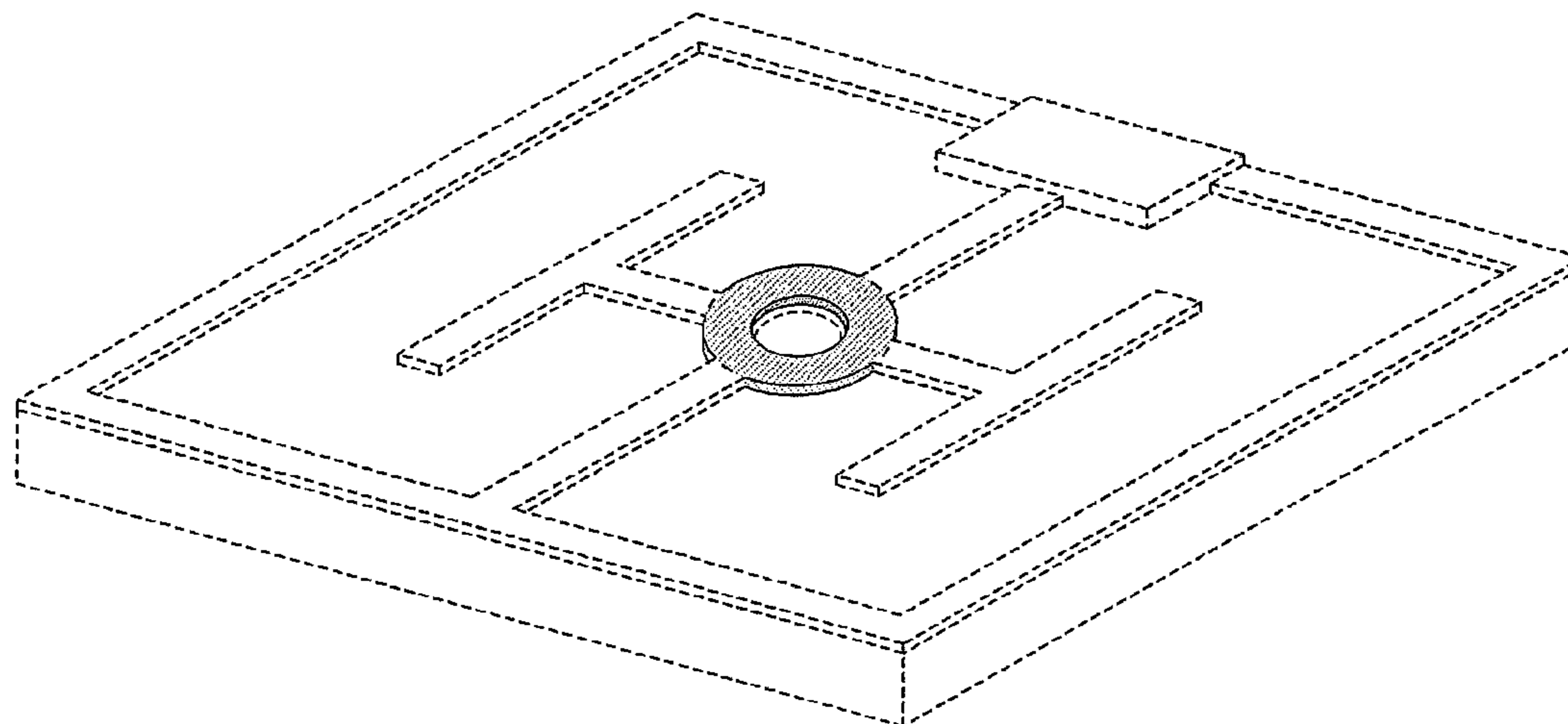


Fig. 1

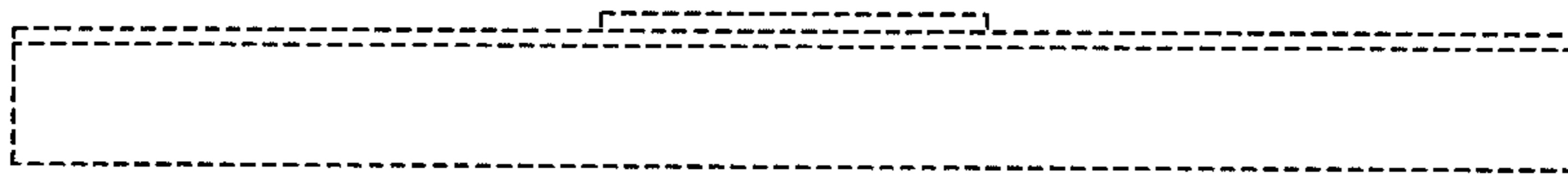


Fig. 2

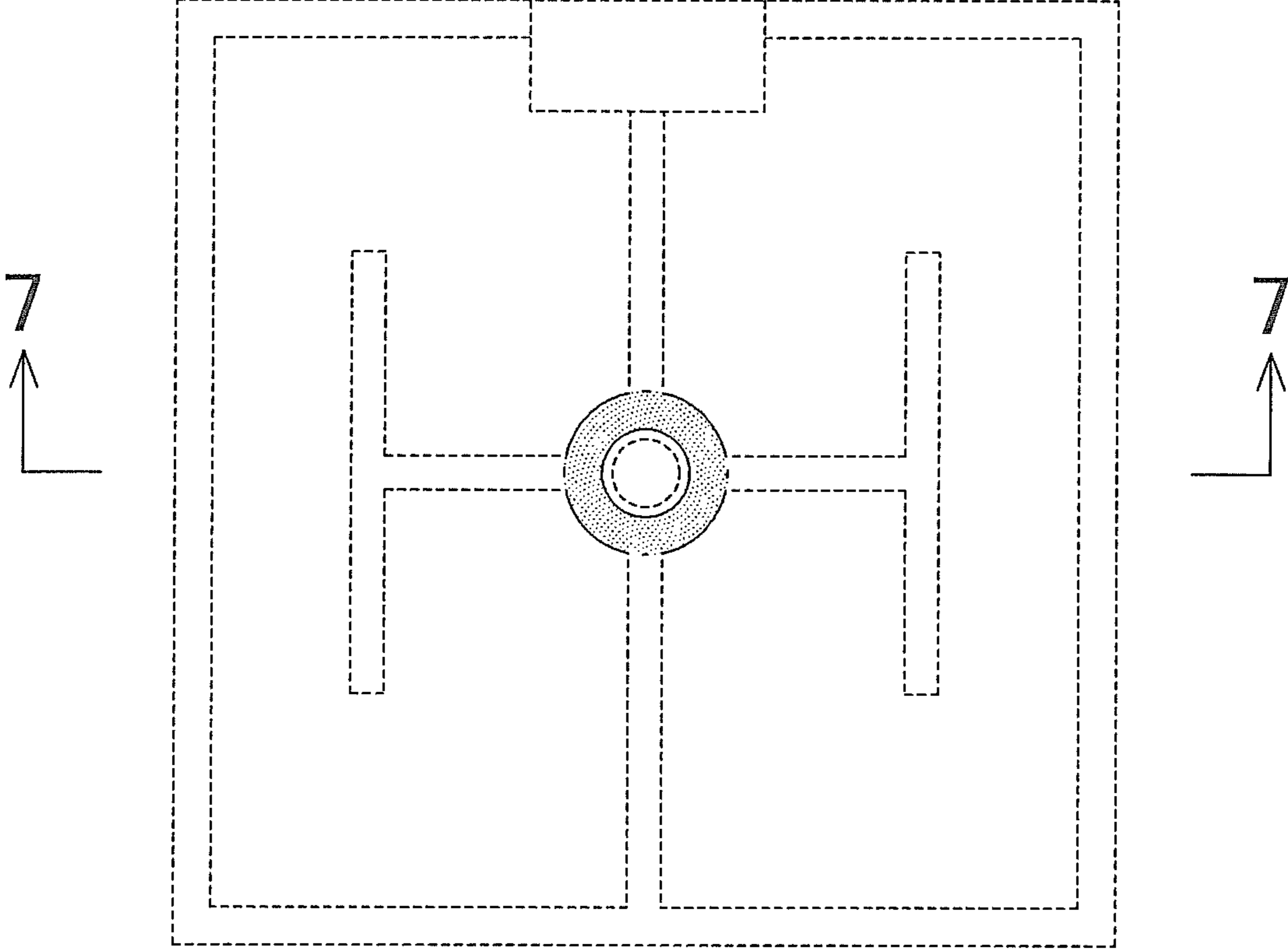


Fig. 3

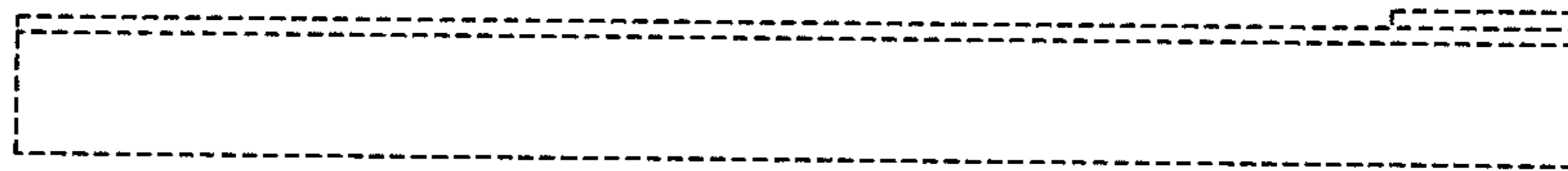


Fig. 4

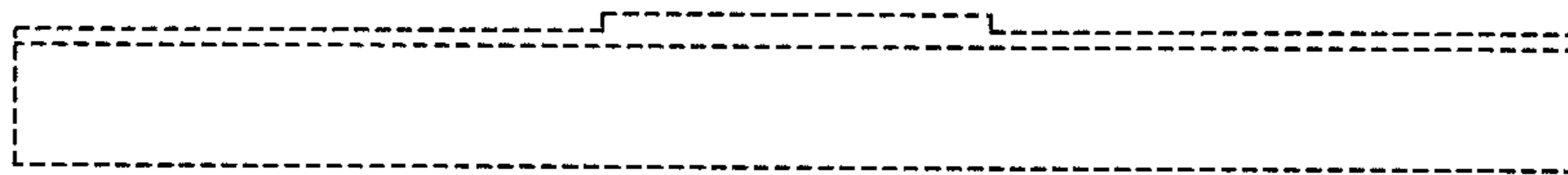


Fig. 5

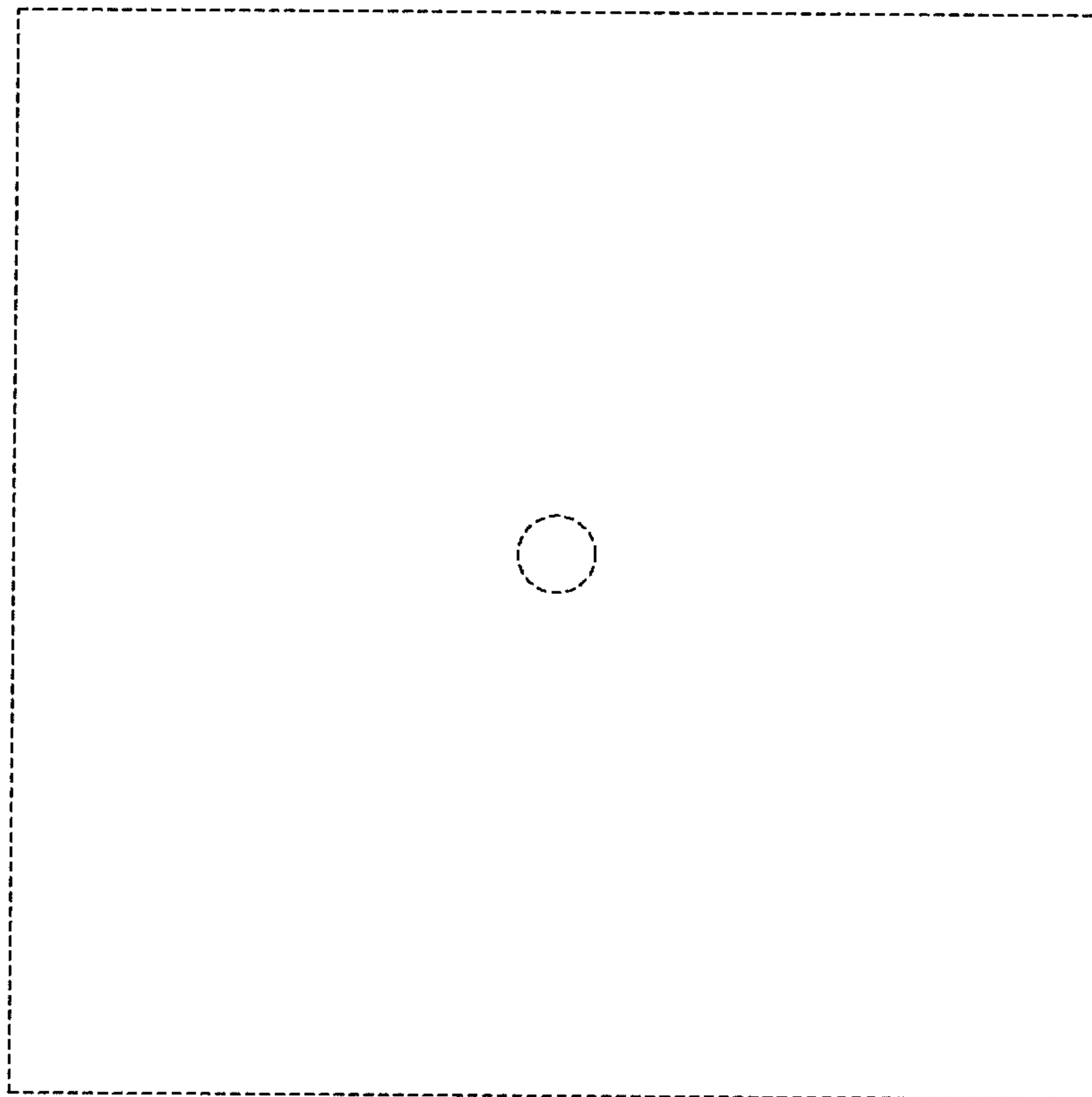


Fig. 6

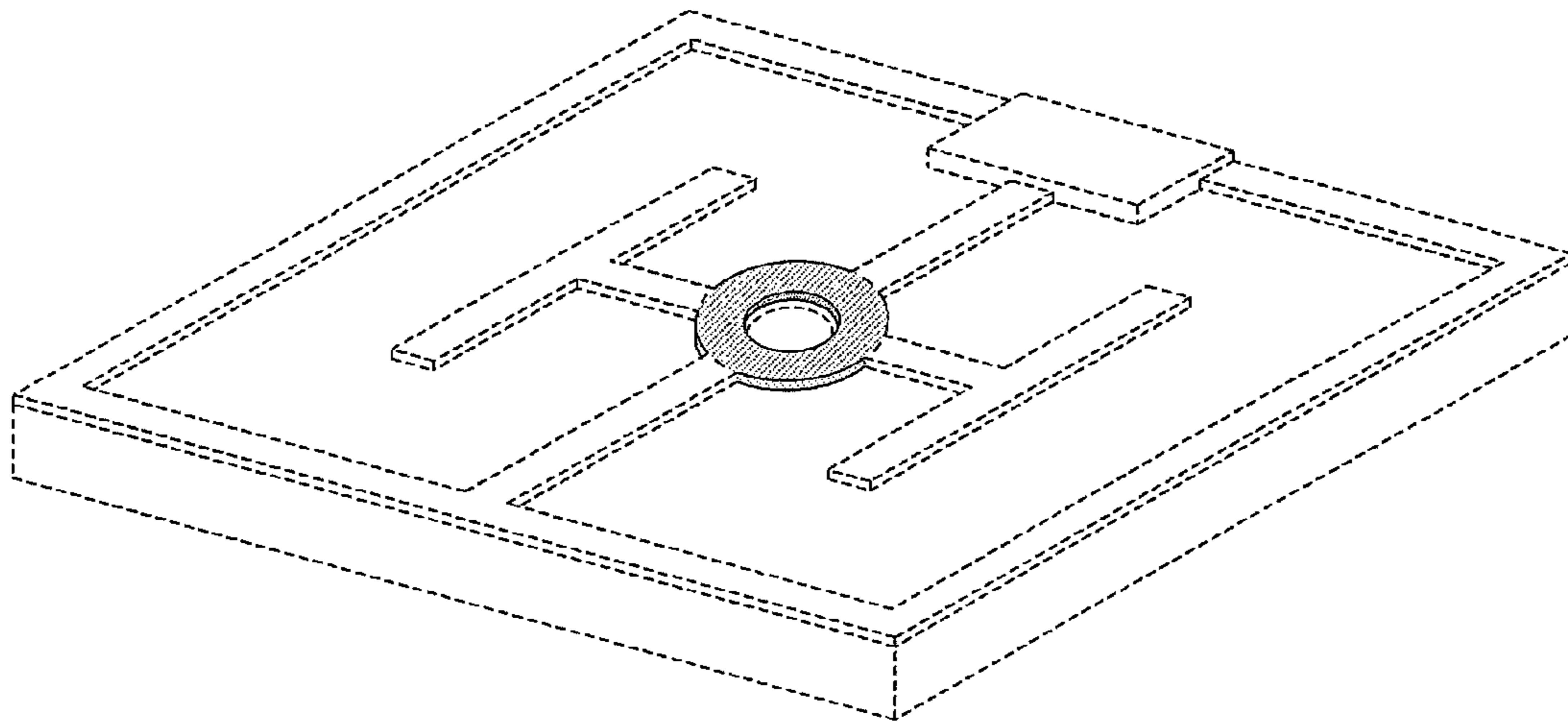


Fig. 7

