



US00D711581S

(12) **United States Design Patent**  
**Cho et al.**

(10) **Patent No.:** **US D711,581 S**  
(45) **Date of Patent:** **\*\* Aug. 19, 2014**

(54) **LIGHTING ELEMENT**

(75) Inventors: **Meoung Whan Cho**, Yongin (KR); **Seog Woo Lee**, Yongin (KR); **Ryuichi Toba**, Tokyo (JP); **Yoshitaka Kadowaki**, Tokyo (JP)

(73) Assignees: **Wavesquare Inc.**, Yongin (KR); **Dowa Electronics Materials Co., Ltd.**, Tokyo (JP)

(\*\*) Term: **14 Years**

(21) Appl. No.: **29/416,681**

(22) Filed: **Mar. 26, 2012**

(30) **Foreign Application Priority Data**

Sep. 28, 2011 (JP) ..... 2011-022213

(51) **LOC (10) Cl.** ..... **26-99**

(52) **U.S. Cl.**  
USPC ..... **D26/113**

(58) **Field of Classification Search**

USPC ..... D26/113, 1, 2, 3, 72, 76, 120, 119, 124, D26/125, 78, 77, 138, 122, 123, 74, 75, 118, D26/68, 62, 65, 127, 128, 142, 66, 69, 73, D26/84, 86, 89, 45, 56, 57, 58, 59, 64, 67, D26/82, 126, 134, 135, 136, 143, 145, 71, D26/121, 129, 131, 132, 137, 140, 141, 151, D26/152, 155, 154; 362/294, 374, 249.02, 362/154, 326; D13/110, 134, 146, 179, 180  
See application file for complete search history.

(56) **References Cited**

**U.S. PATENT DOCUMENTS**

D216,830 S \* 3/1970 McNamara ..... D26/85  
D221,474 S \* 8/1971 Gore ..... D26/24  
D234,969 S \* 4/1975 Ervin ..... D26/67  
D238,094 S \* 12/1975 Ervin ..... D26/24

D238,095 S \* 12/1975 Ervin ..... D26/67  
D361,398 S \* 8/1995 Neall, III ..... D26/67  
D569,029 S \* 5/2008 Guercio ..... D26/85  
D638,977 S \* 5/2011 Heyrman ..... D26/85  
D643,964 S \* 8/2011 Heyrman ..... D26/85  
D646,424 S \* 10/2011 Ho ..... D26/85  
D647,662 S \* 10/2011 Verelst et al. .... D26/85  
D654,614 S \* 2/2012 Williamson ..... D26/85  
D662,252 S \* 6/2012 Wauters ..... D26/85  
D662,253 S \* 6/2012 Wauters ..... D26/85  
D671,255 S \* 11/2012 Sonneman ..... D26/85  
D672,081 S \* 12/2012 Sprengers ..... D26/85  
D690,871 S \* 10/2013 Kitts ..... D26/85

\* cited by examiner

*Primary Examiner* — Kevin Rudzinski

(74) *Attorney, Agent, or Firm* — Oliff PLC

(57) **CLAIM**

The ornamental design for lighting element, as shown and described.

**DESCRIPTION**

FIG. 1 is a front view of a lighting element;  
FIG. 2 is a top view thereof;  
FIG. 3 is a right-side view thereof, the left-side view being a mirror image of the right-side view;  
FIG. 4 is a rear view thereof;  
FIG. 5 is a bottom view thereof;  
FIG. 6 is a perspective view thereof; and,  
FIG. 7 is a cross-sectional view thereof taken along lines 7-7 in FIG. 2.

Only the portions with the dark surface shading form part of the claimed design.

The dot-dash-dot lines illustrate a boundary between claimed and unclaimed surfaces and form no part of the claimed design.

The broken lines depict portions of the lighting element and form no part of the claimed design.

**1 Claim, 7 Drawing Sheets**

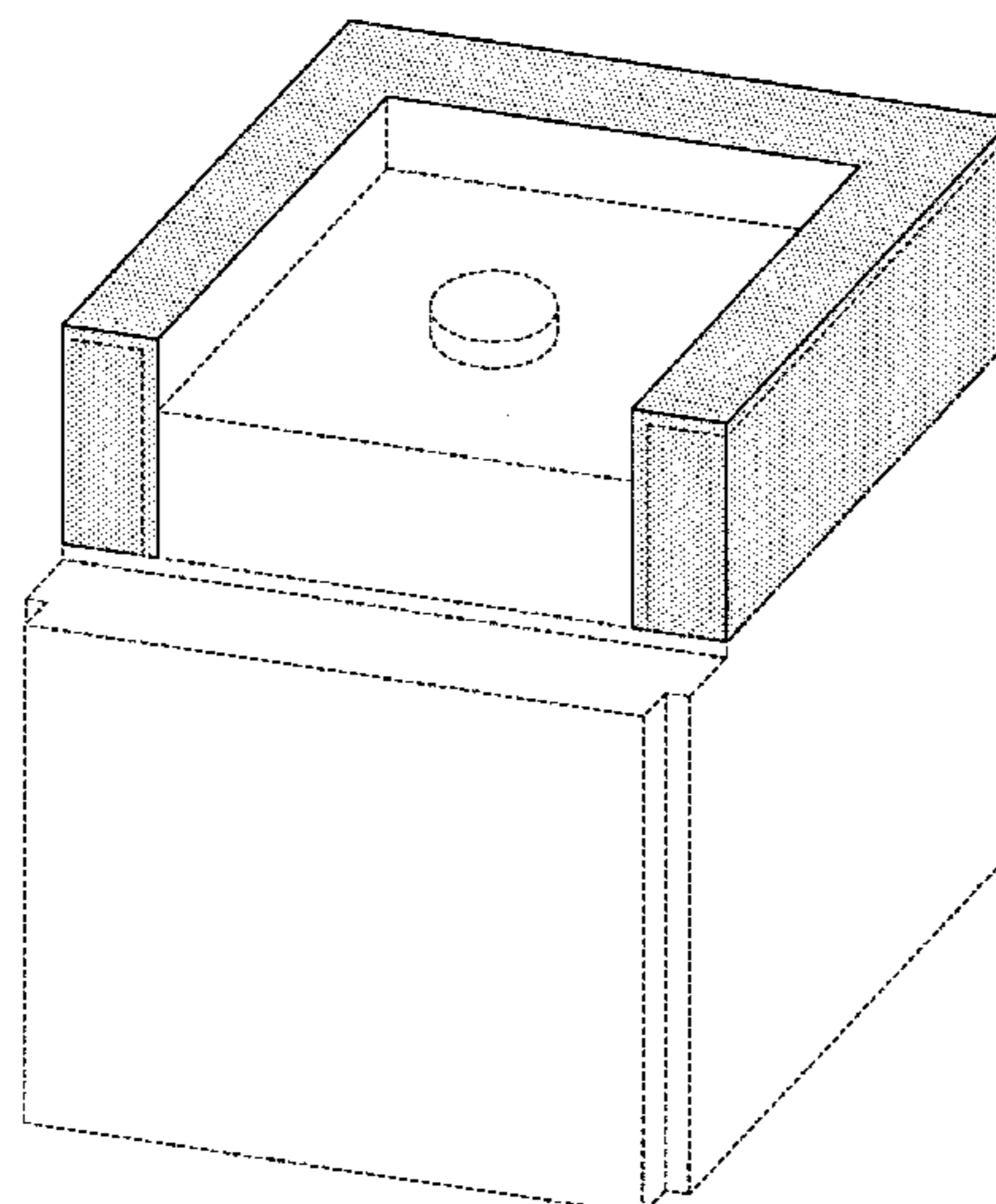


Fig. 1

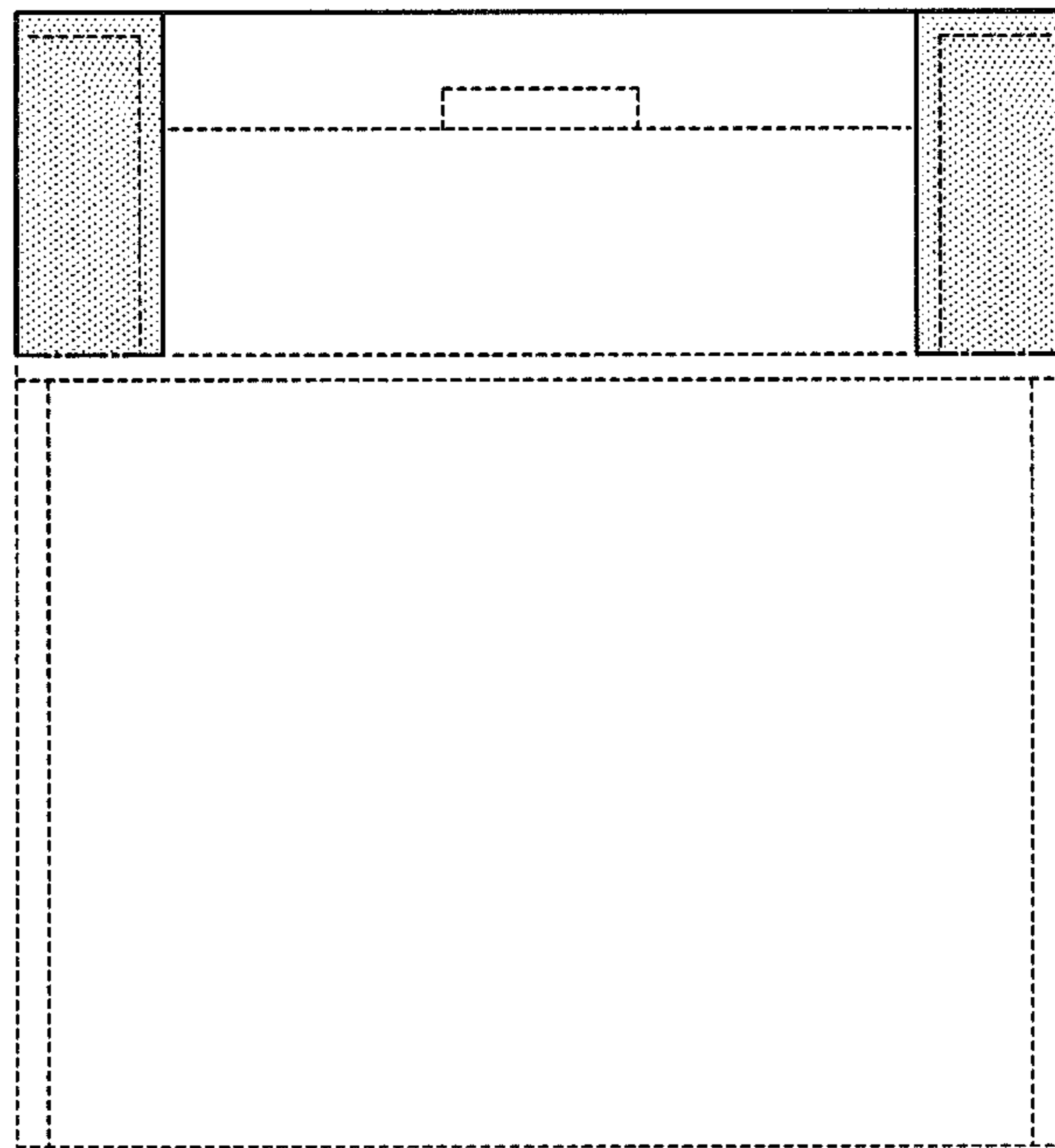


Fig. 2

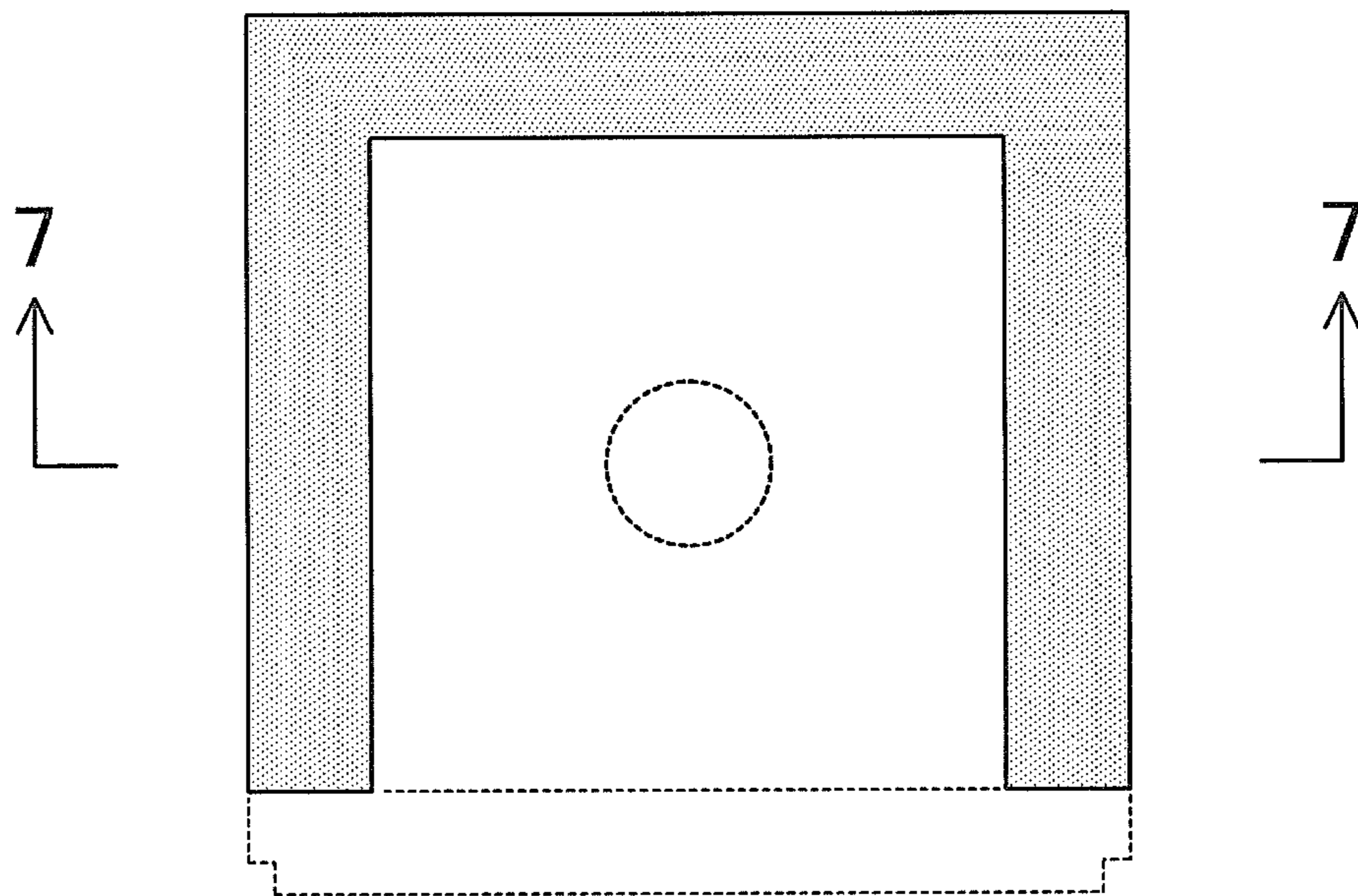


Fig. 3

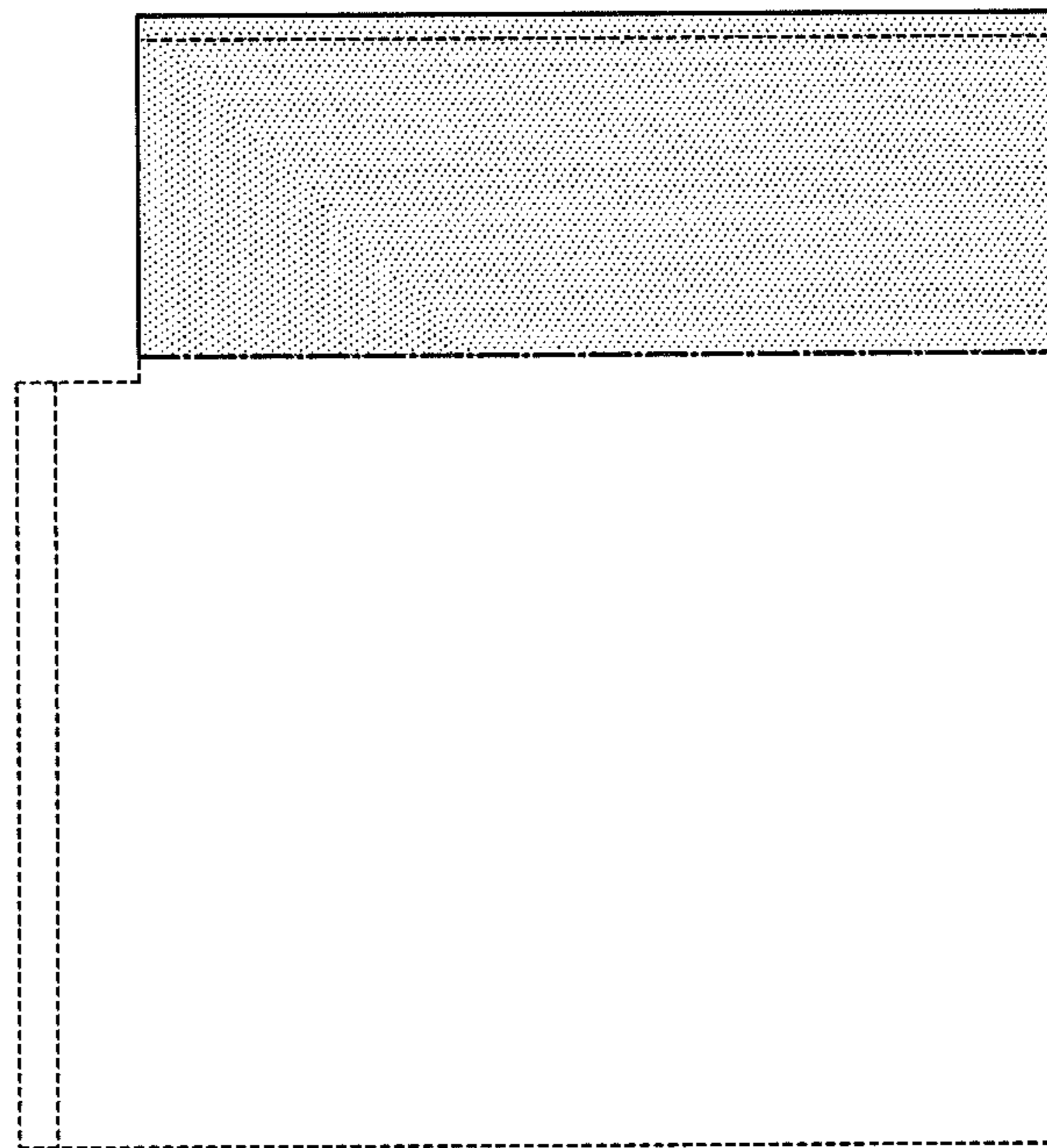


Fig. 4

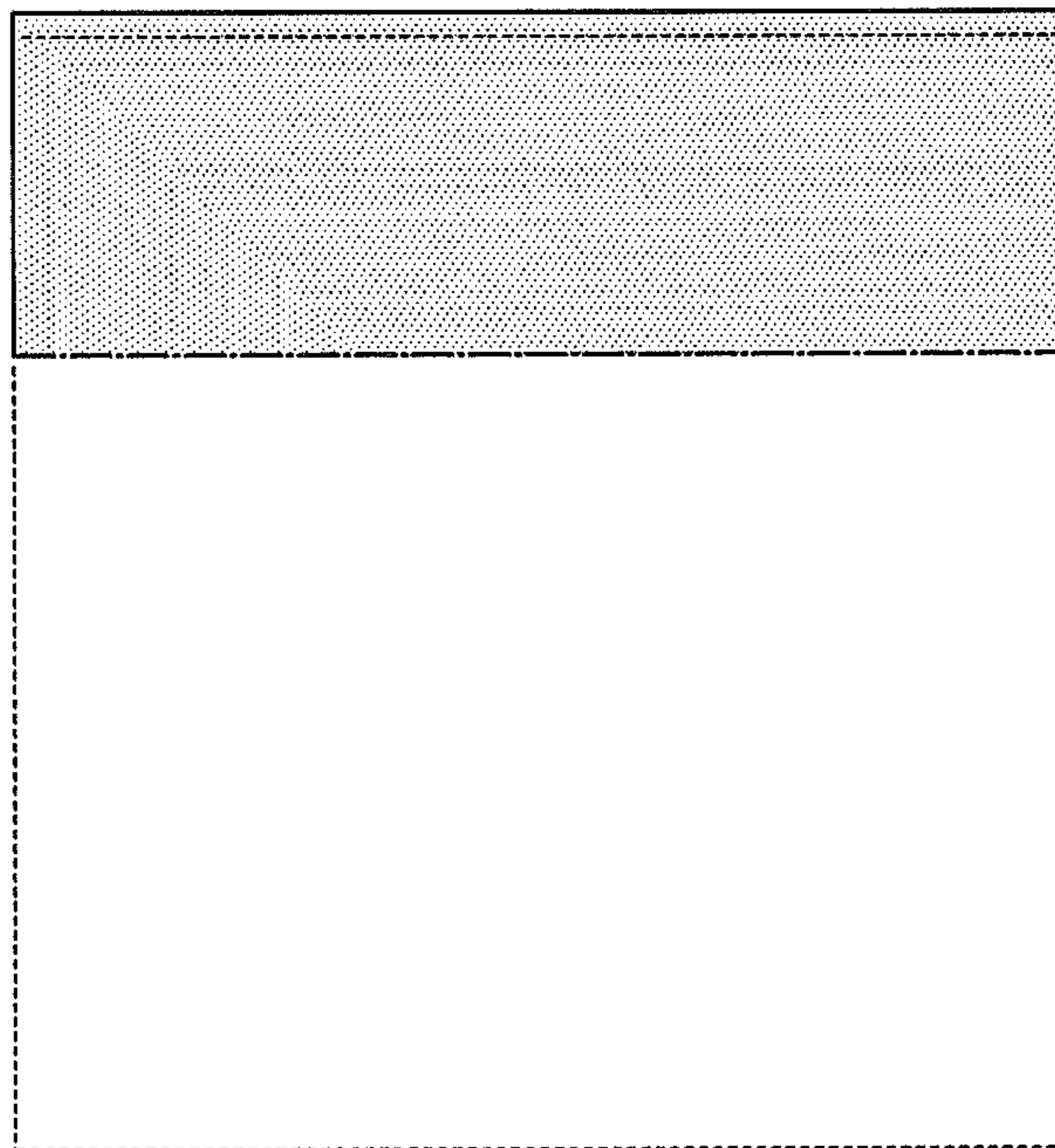


Fig. 5

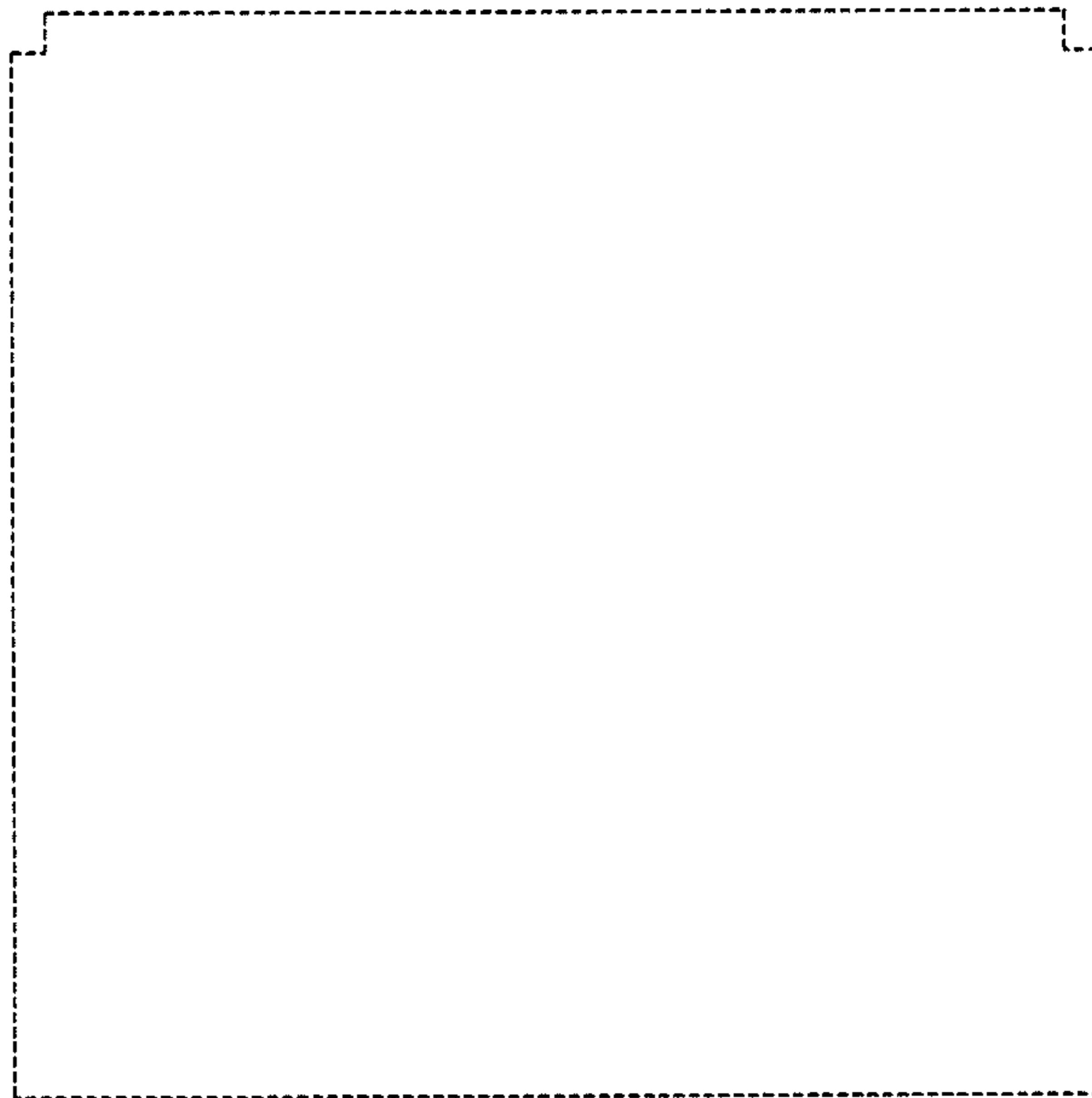


Fig. 6

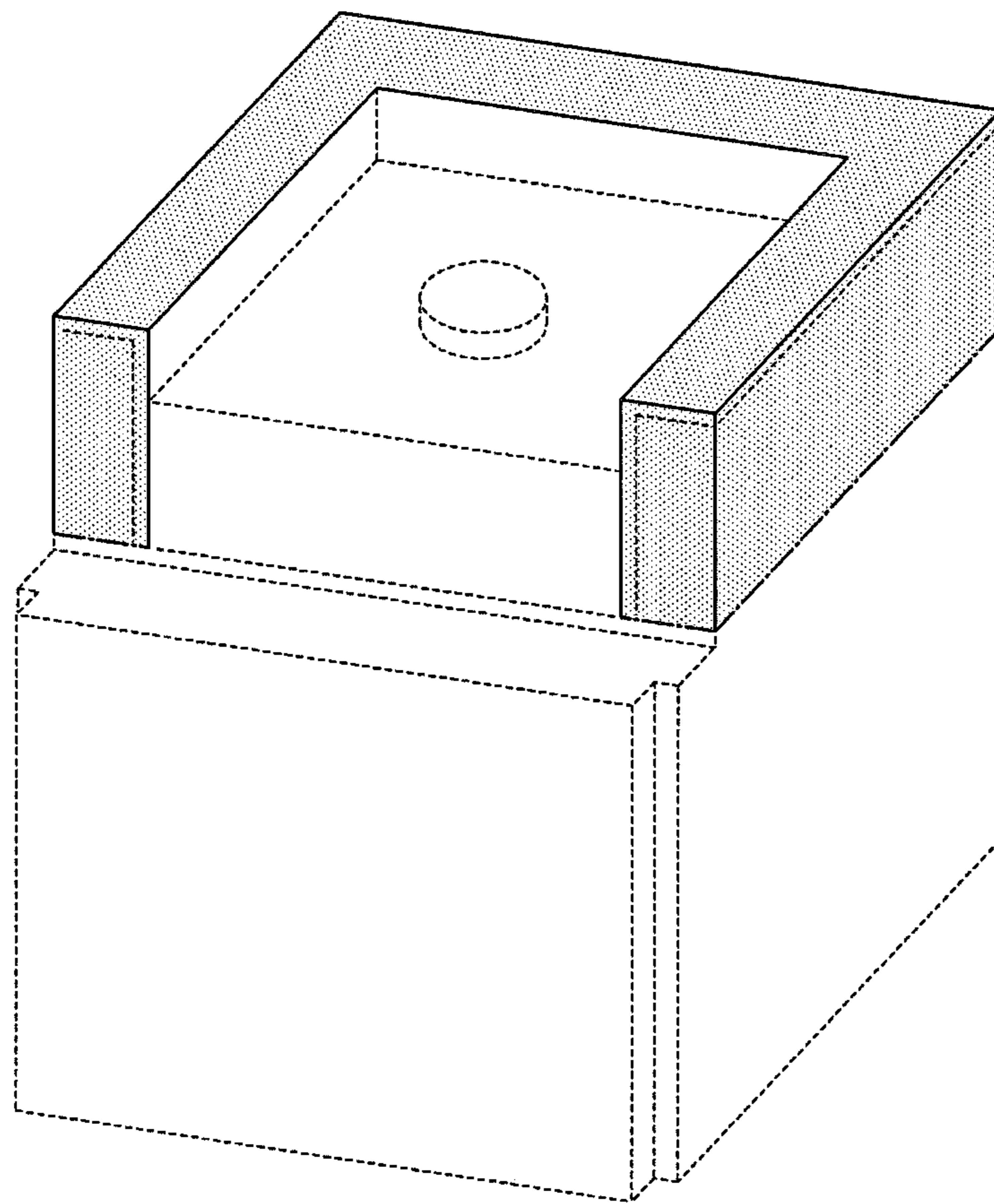


Fig. 7

