



US00D711580S

(12) **United States Design Patent**  
**Ho**

(10) **Patent No.:** **US D711,580 S**

(45) **Date of Patent:** **\*\* Aug. 19, 2014**

(54) **LAMP**

D282,874 S \* 3/1986 Alessandro ..... D26/93  
D312,888 S \* 12/1990 Goldner ..... D26/65  
D322,330 S \* 12/1991 Goldner ..... D26/65

(75) Inventor: **Chung-Tong Ho**, Taichung (TW)

\* cited by examiner

(73) Assignee: **Aeco Life Co., Limited.**, Taipei (TW)

*Primary Examiner* — Brian N Vinson

(\*\*) Term: **14 Years**

(74) *Attorney, Agent, or Firm* — Chu-Ming Shih

(21) Appl. No.: **29/429,030**

(57) **CLAIM**

The ornamental design for a lamp, as shown and described.

(22) Filed: **Aug. 6, 2012**

**DESCRIPTION**

(51) **LOC (10) Cl.** ..... **26-03**

FIG. 1 is a perspective view of a lamp showing my new design;

(52) **U.S. Cl.**

FIG. 2 is a front view thereof;

USPC ..... **D26/93**

FIG. 3 is a rear view thereof;

(58) **Field of Classification Search**

USPC ..... D26/1, 24, 67, 72, 85, 73, 93-94, 101,  
D26/104-110, 113, 118; 362/3, 153, 186,  
362/217, 255, 257, 277, 317, 351, 353, 362,  
362/363, 382, 431, 433, 458, 806; D6/512

FIG. 4 is a left side elevational view thereof;

FIG. 5 is a right side elevational view thereof;

See application file for complete search history.

FIG. 6 is a top view thereof;

FIG. 7 is a bottom view thereof; and

FIG. 8 is another perspective view showing the lamp.

FIG. 9 is a perspective view showing the lamp in use.

FIG. 10 is a perspective view showing the lamp not in use;  
and,

FIG. 11 is a perspective view showing the lamp in another use.

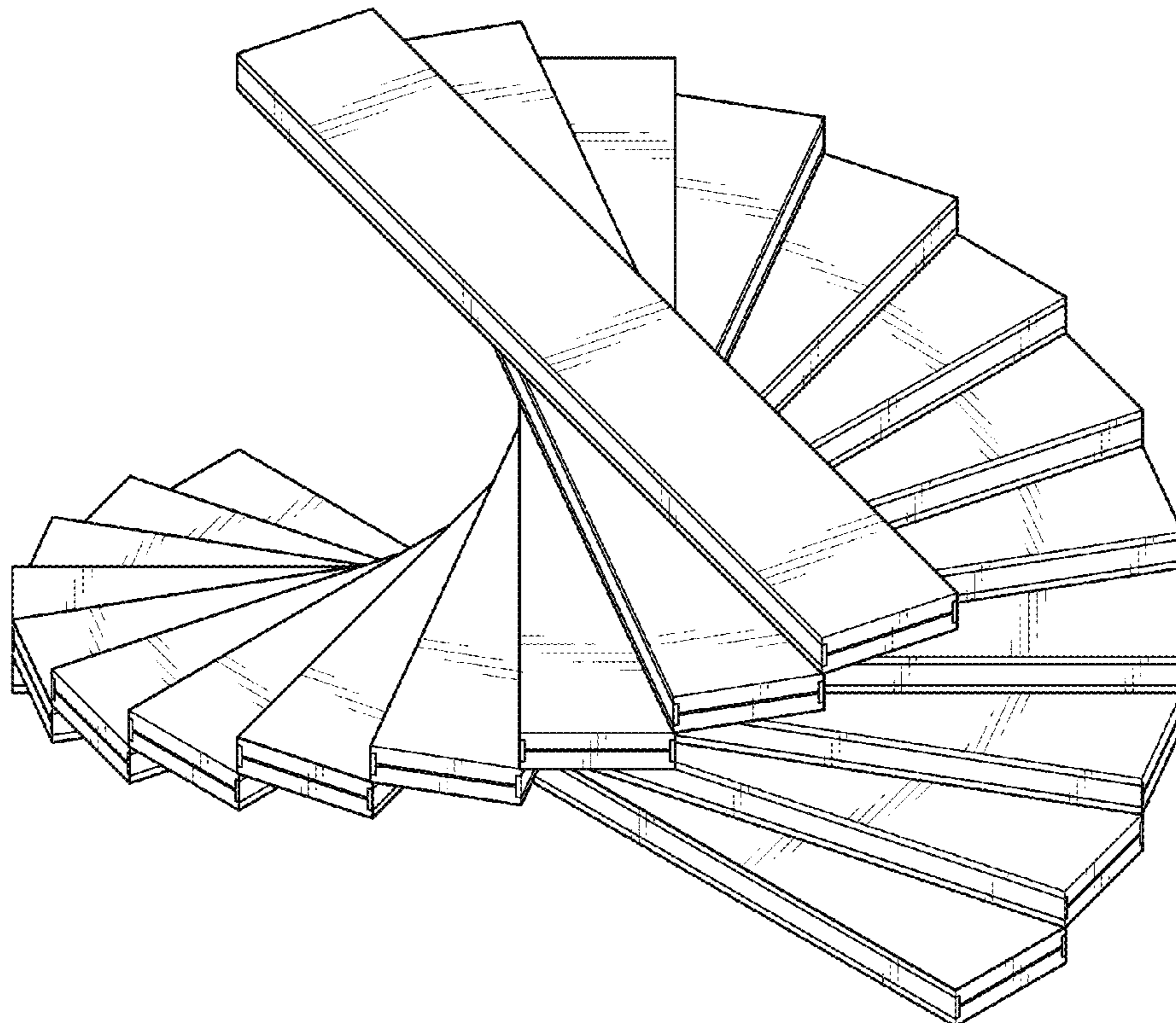
The broken lines shown represent unclaimed subject matter  
and form no part of the claimed design.

(56) **References Cited**

**U.S. PATENT DOCUMENTS**

D148,223 S \* 12/1947 Galehouse ..... D26/106  
2,466,176 A \* 4/1949 Kunisch ..... 248/159  
D203,861 S \* 2/1966 Roman ..... D26/107

**1 Claim, 9 Drawing Sheets**



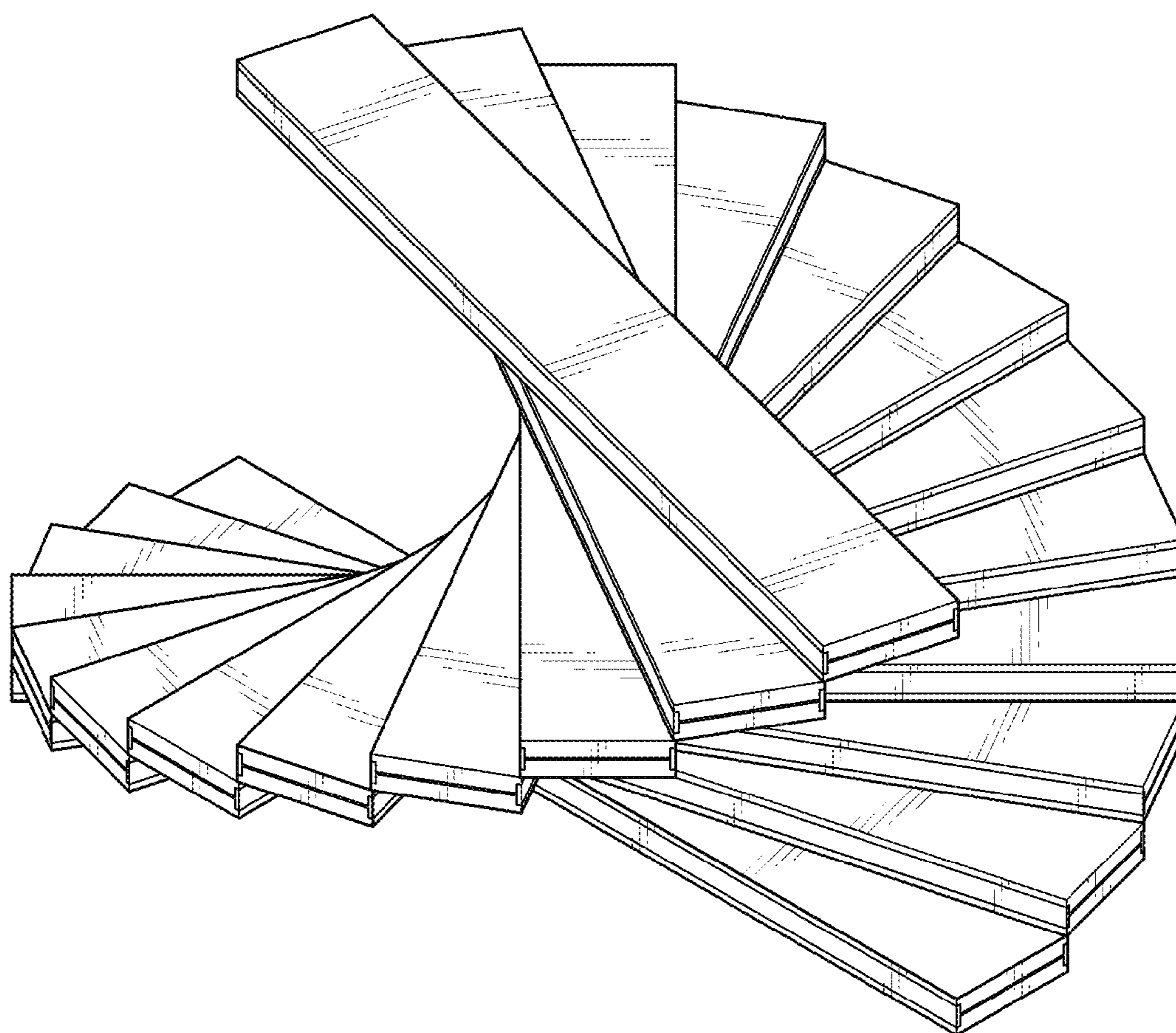


FIG. 1

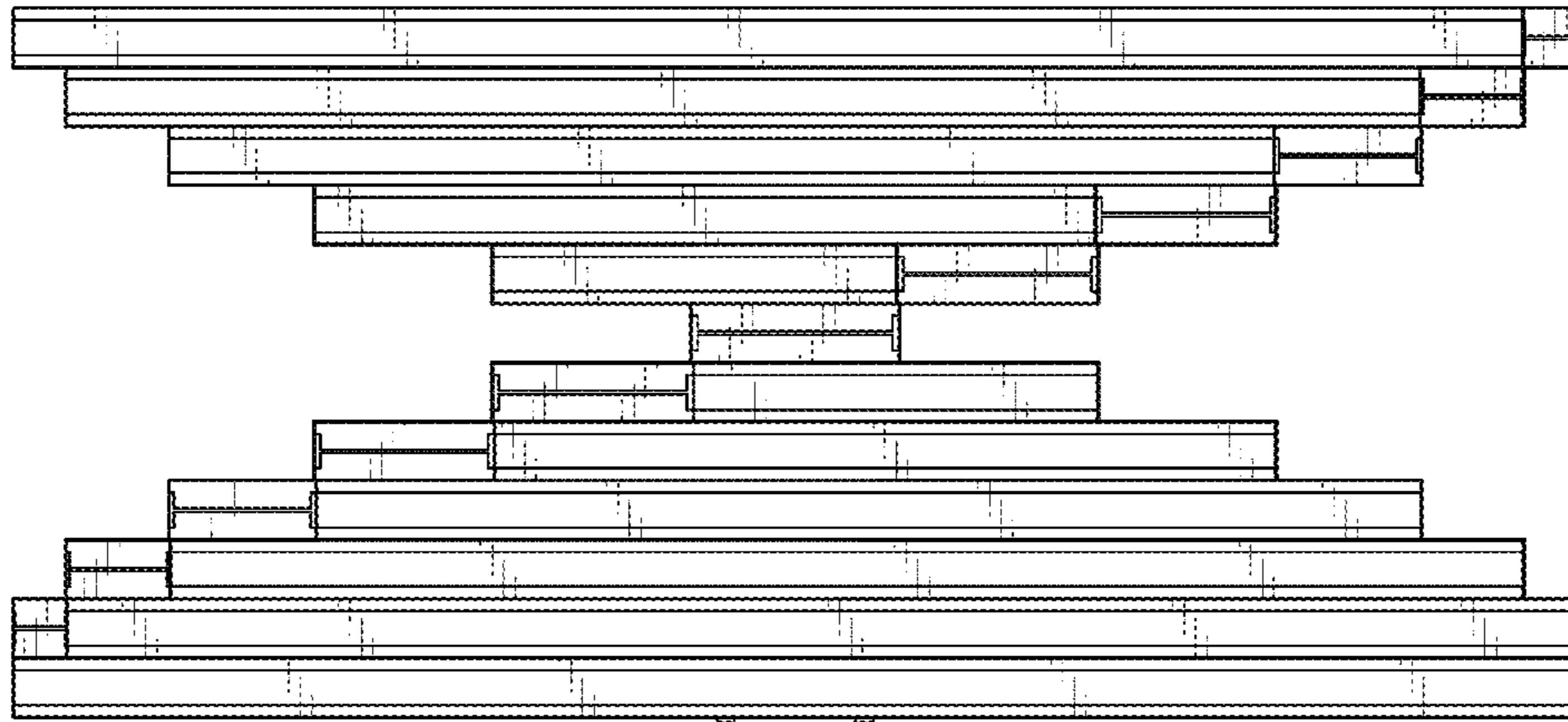


FIG. 2

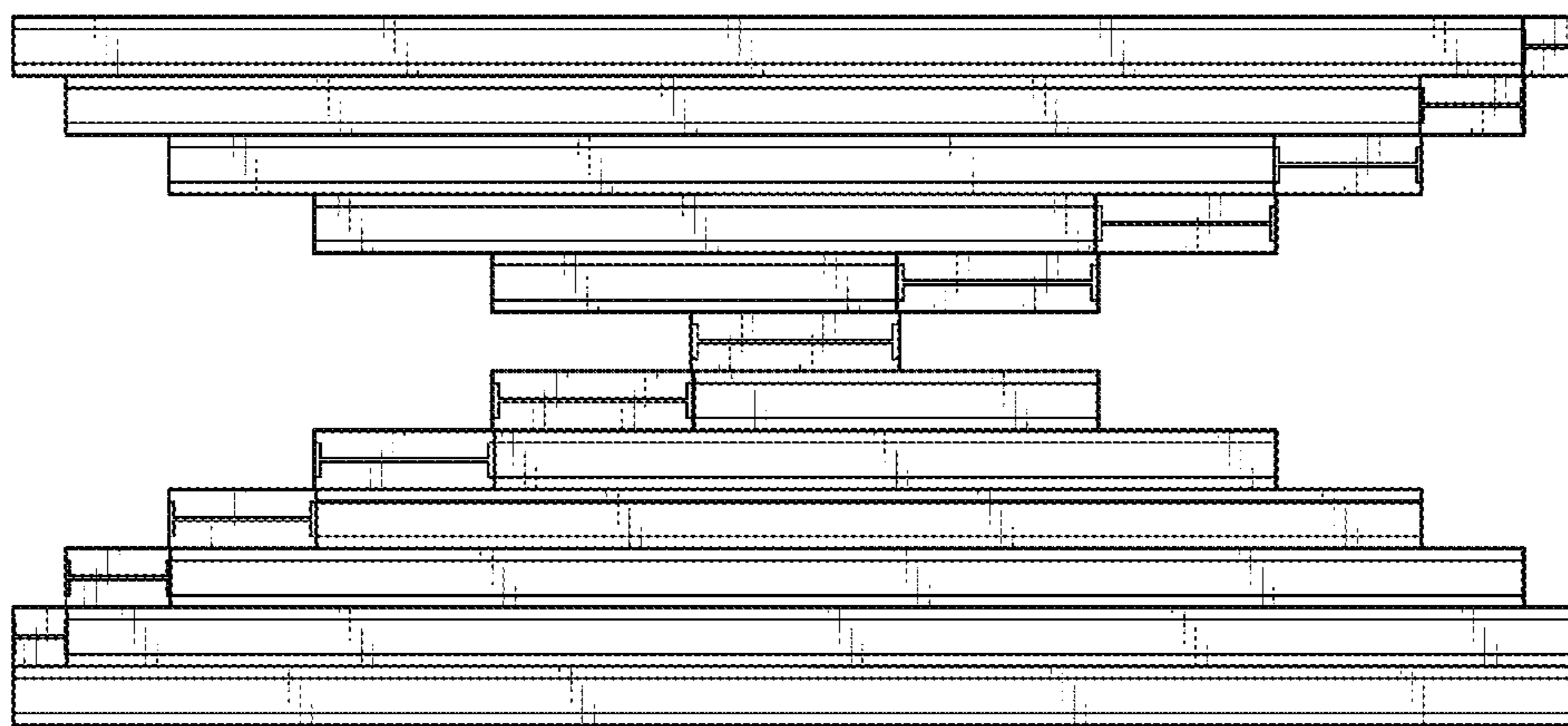


FIG. 3

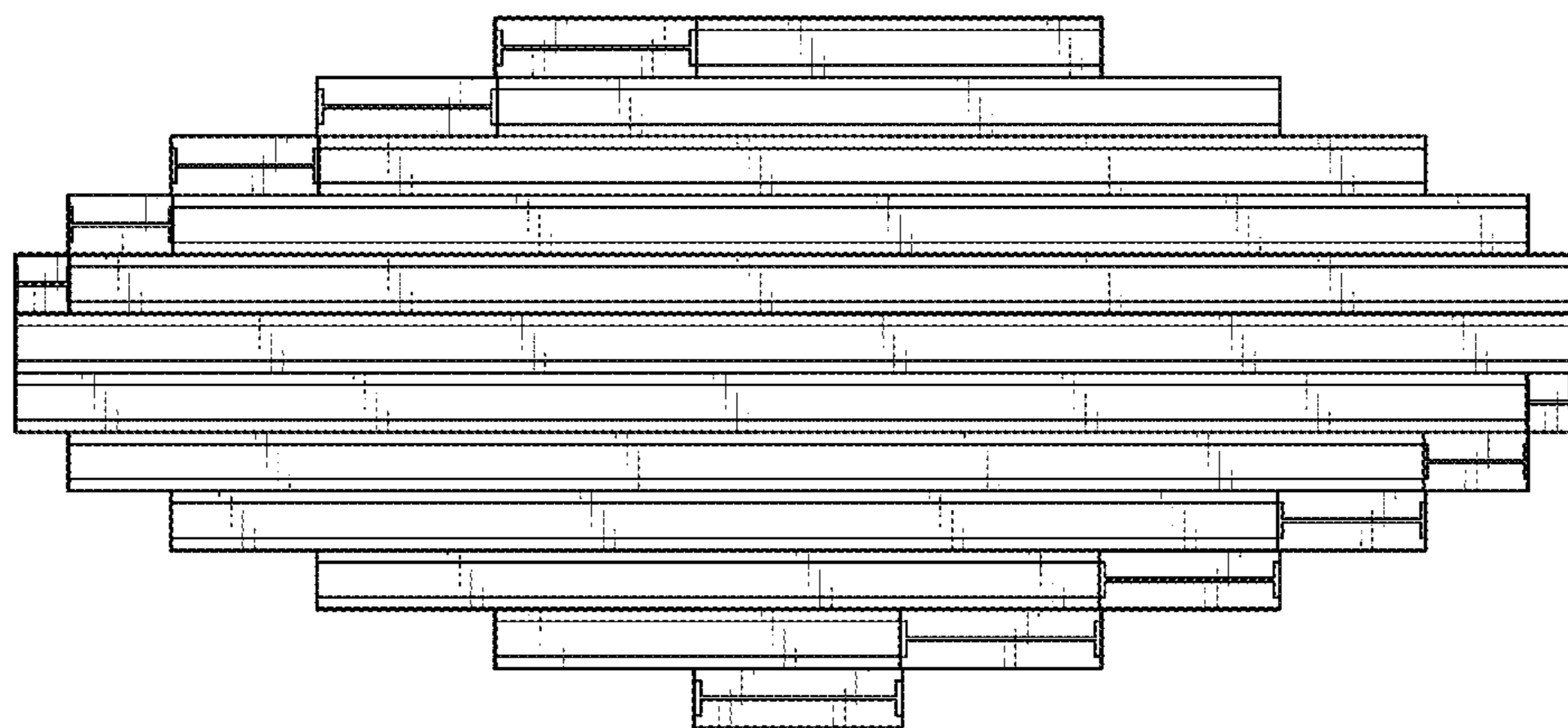


FIG. 4

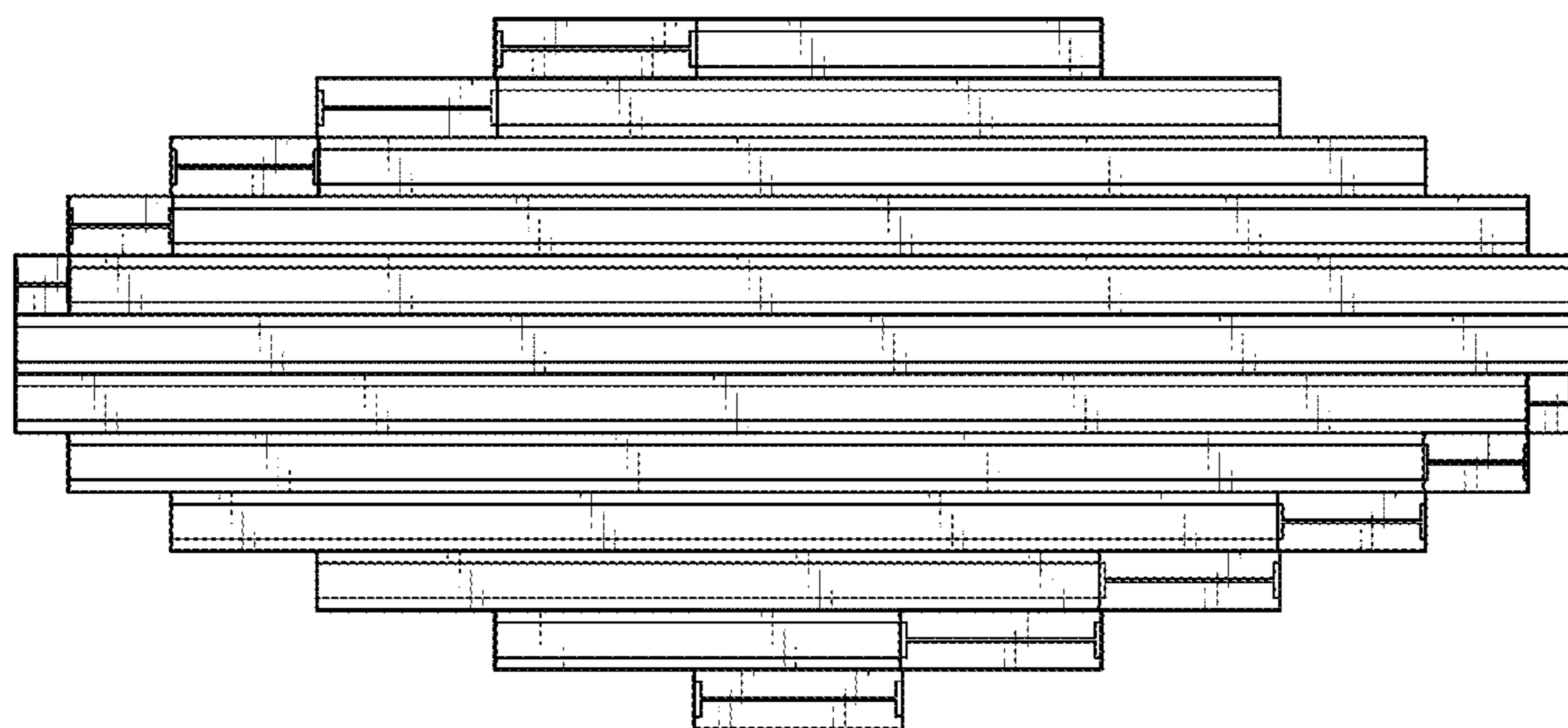


FIG. 5

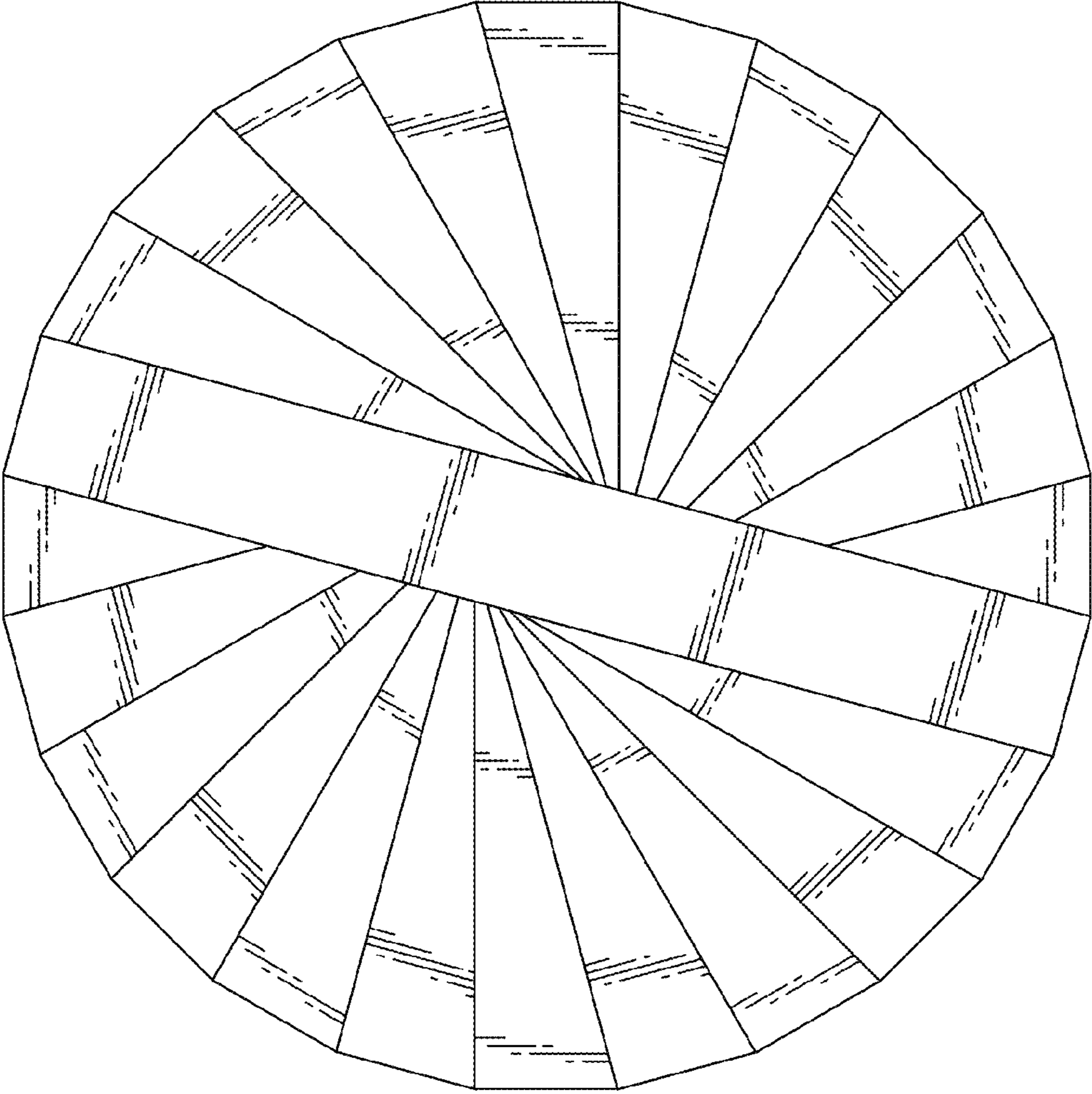


FIG. 6

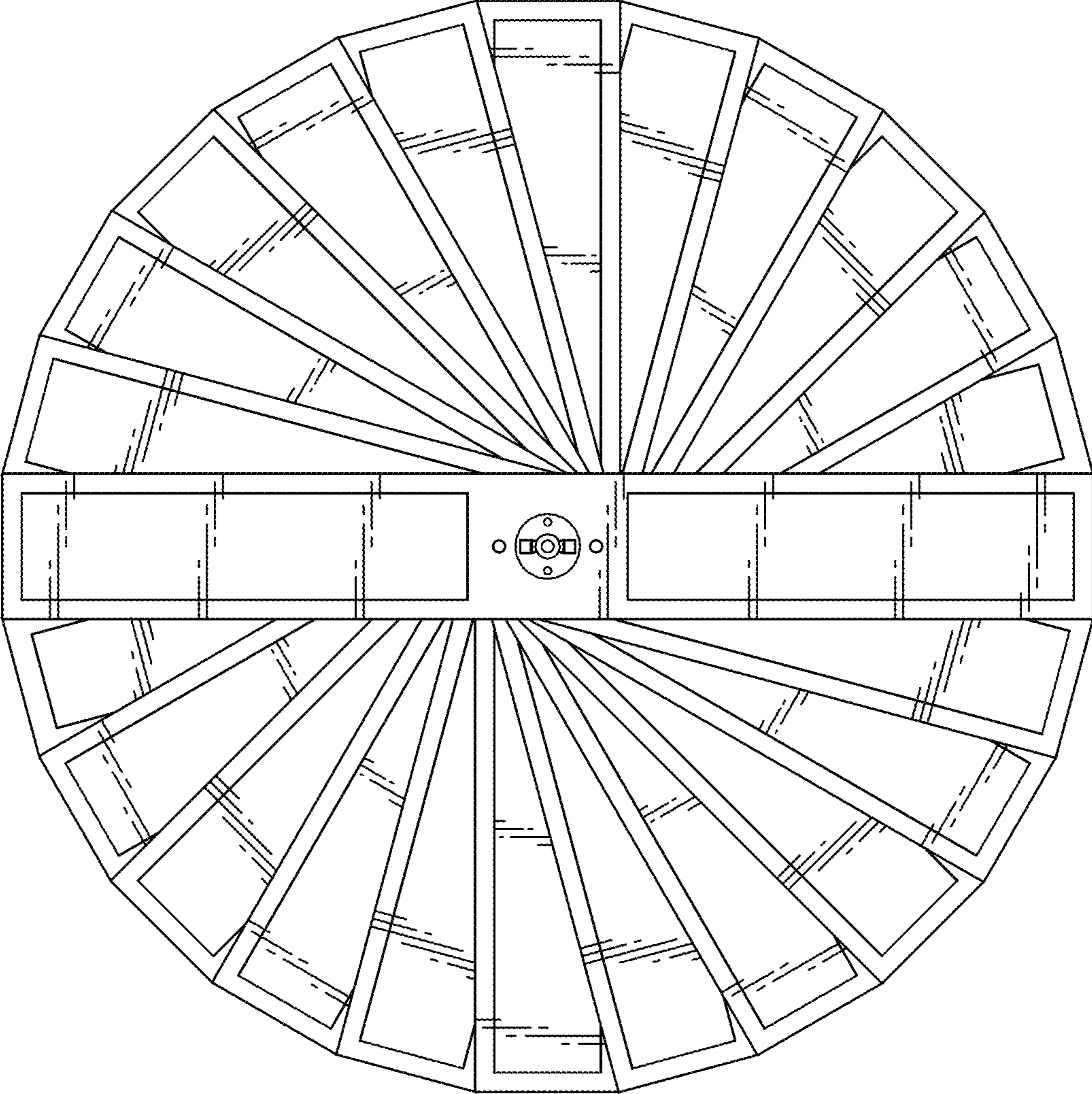


FIG. 7

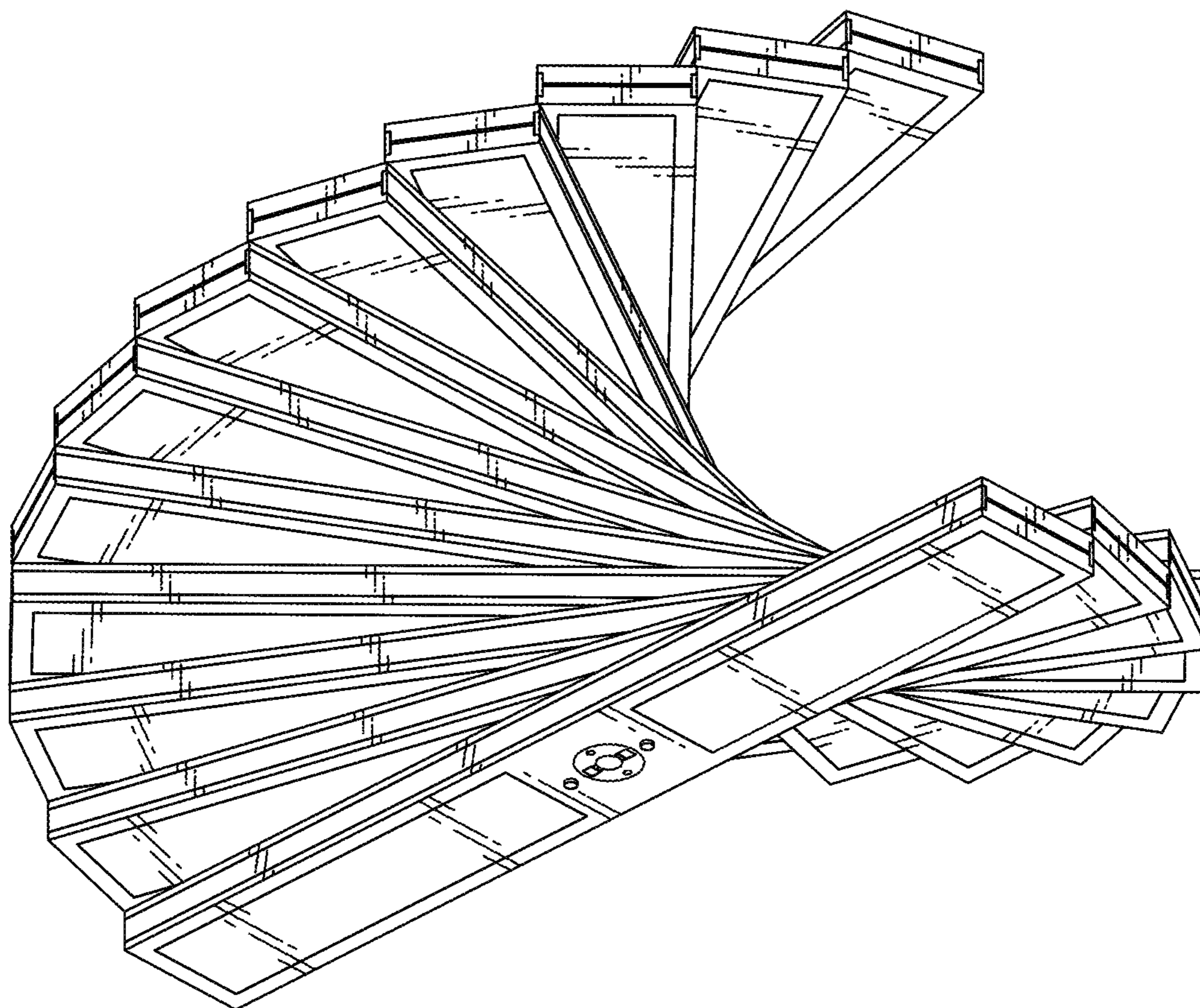


FIG. 8

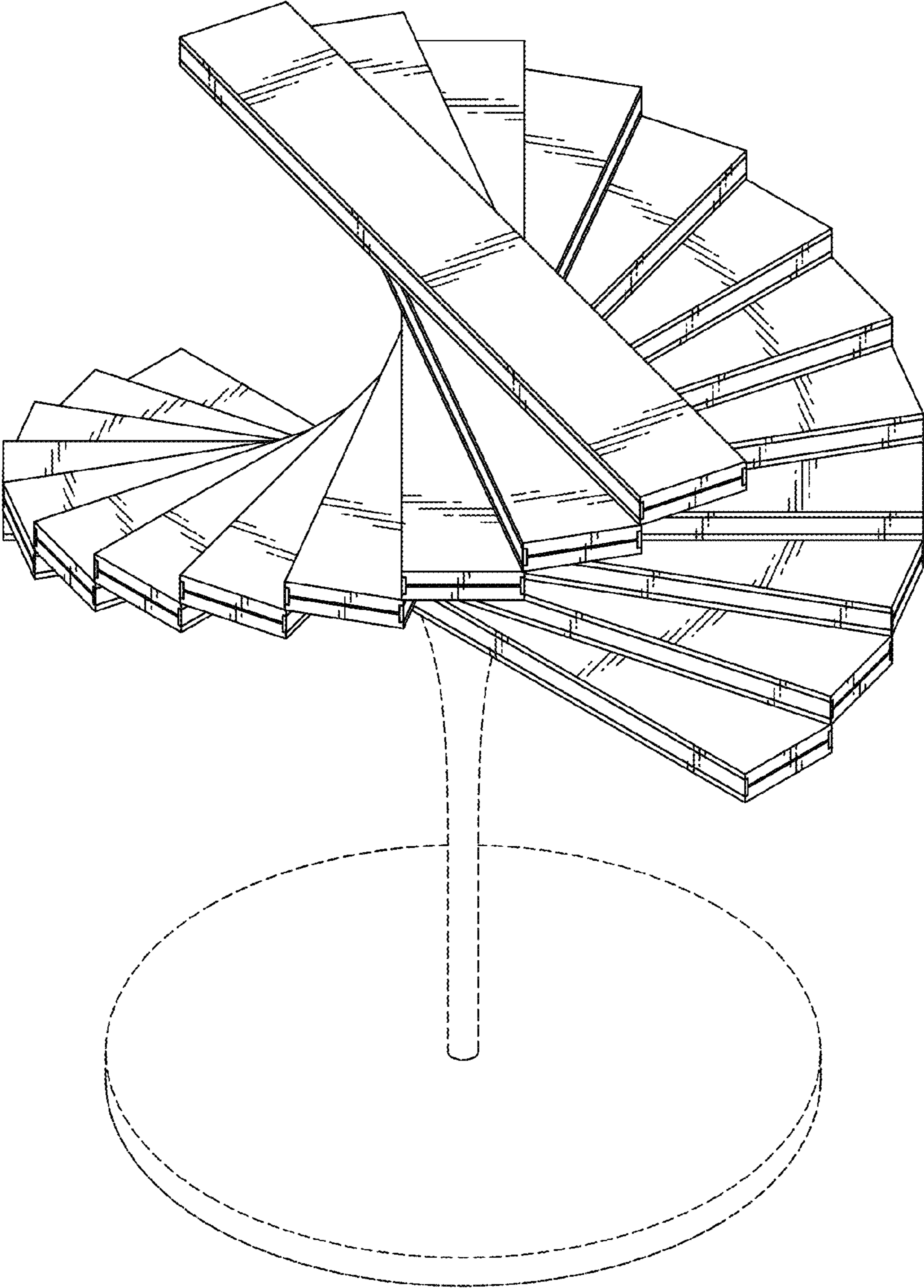


FIG. 9



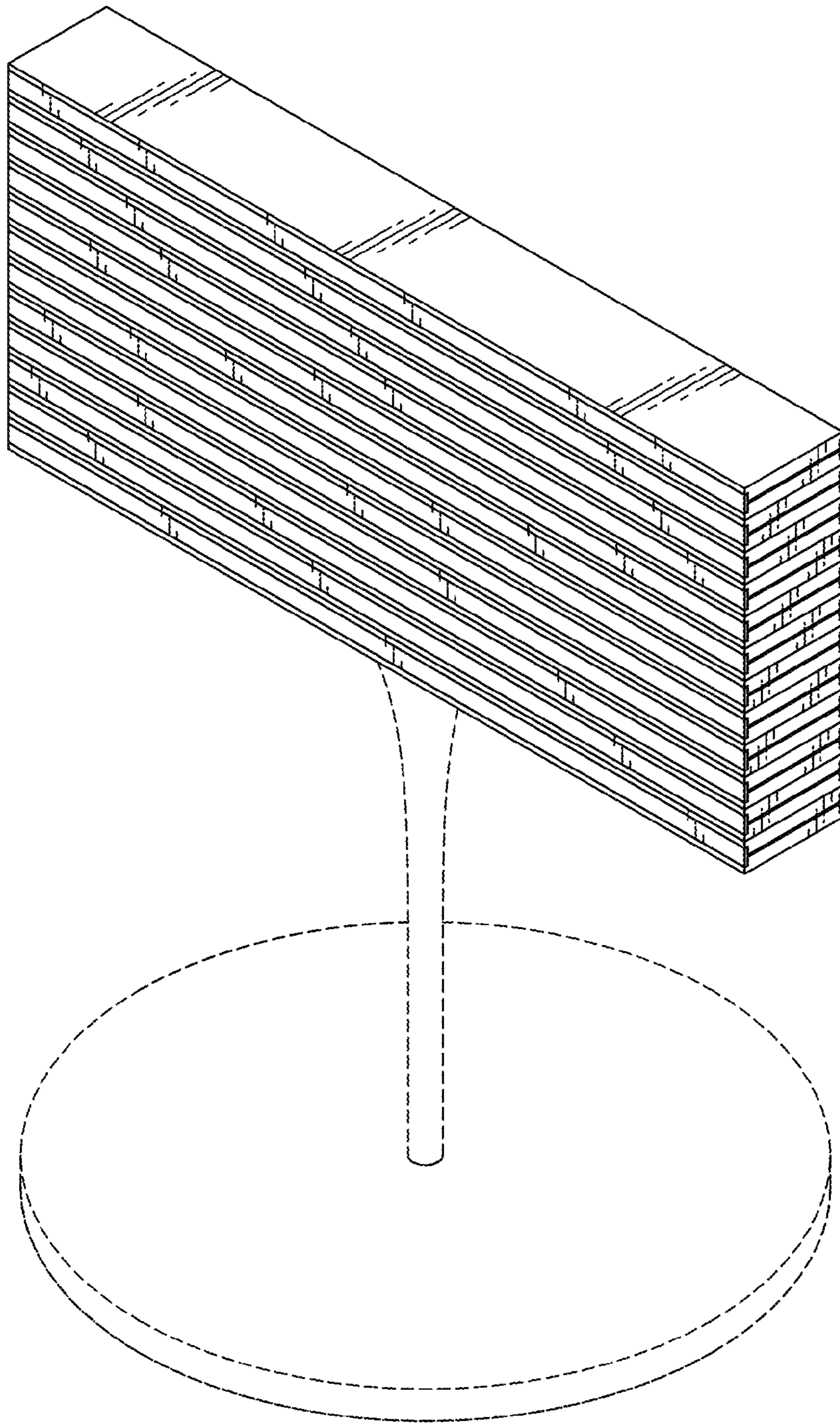


FIG. 10

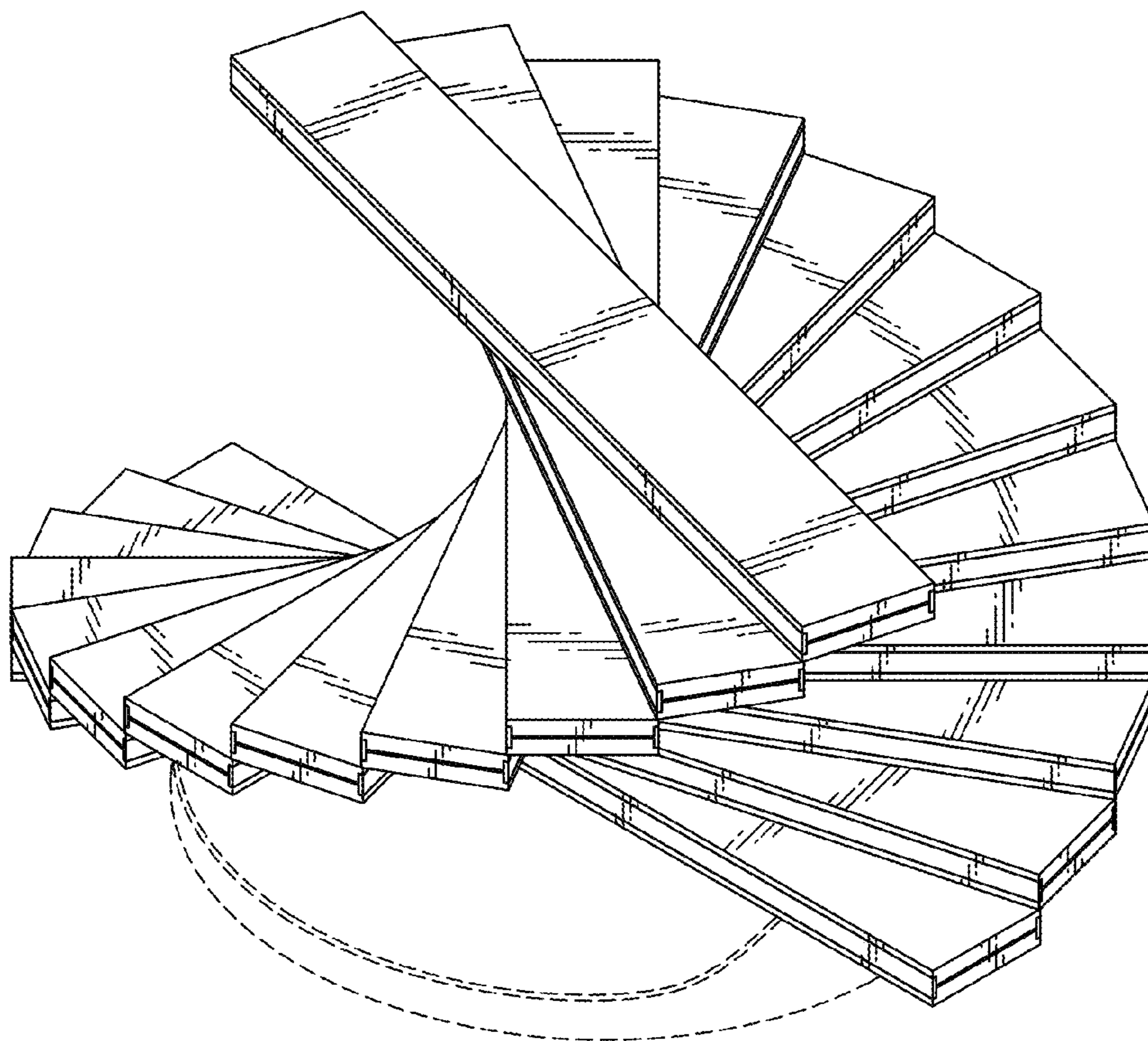


FIG. 11