



US00D711575S

(12) **United States Design Patent**
Ton

(10) **Patent No.:** **US D711,575 S**

(45) **Date of Patent:** **** Aug. 19, 2014**

(54) **FLASHLIGHT**

(76) **Inventor:** **Quy That Ton**, Baton Rouge, LA (US)

(**) **Term:** **14 Years**

(21) **Appl. No.:** **29/410,954**

(22) **Filed:** **Jan. 13, 2012**

(51) **LOC (10) Cl.** **26-02**

(52) **U.S. Cl.**
USPC **D26/49**

(58) **Field of Classification Search**
USPC D26/37, 38, 40-42, 46, 49, 113, 120;
362/157, 158, 183, 184, 171-174,
362/194-197, 202-208, 253; D16/131-135
See application file for complete search history.

(56) **References Cited**

U.S. PATENT DOCUMENTS

2,137,881	A	11/1938	Margulies	
2,616,030	A	10/1952	Van Dyke	
3,410,635	A *	11/1968	Lockwood	359/804
4,521,834	A	6/1985	Orr	
5,045,980	A	9/1991	Harvey	
5,129,161	A	7/1992	Szarka	
D363,300	S *	10/1995	Schwartz	D16/135
D389,420	S *	1/1998	Campman	D10/114.9
5,941,629	A	8/1999	Tuscher	
6,355,935	B1 *	3/2002	Kalley et al.	250/504 R
6,454,433	B1 *	9/2002	Alessio	362/157
6,536,444	B1	3/2003	Chung	
6,630,682	B2	10/2003	Shanley et al.	
6,676,270	B2 *	1/2004	Kostal et al.	362/96
6,736,523	B2 *	5/2004	Alvey	362/158

6,840,643	B2 *	1/2005	Clemmer, Jr.	359/875
D519,658	S *	4/2006	Izardel	D26/40
D553,272	S *	10/2007	Leung	D26/37
D577,333	S *	9/2008	Daniel et al.	D13/103
D583,492	S *	12/2008	Jen	D26/40
D596,769	S *	7/2009	Liu	D26/37
D605,321	S *	12/2009	Schupp	D26/40
D632,817	S *	2/2011	Wang	D26/49
2006/0171146	A1	8/2006	Bensinger et al.	

* cited by examiner

Primary Examiner — Ian Simmons

Assistant Examiner — Carissa C Fitts

(74) *Attorney, Agent, or Firm* — Minh N. Nguyen; Next IP Law Group LLP

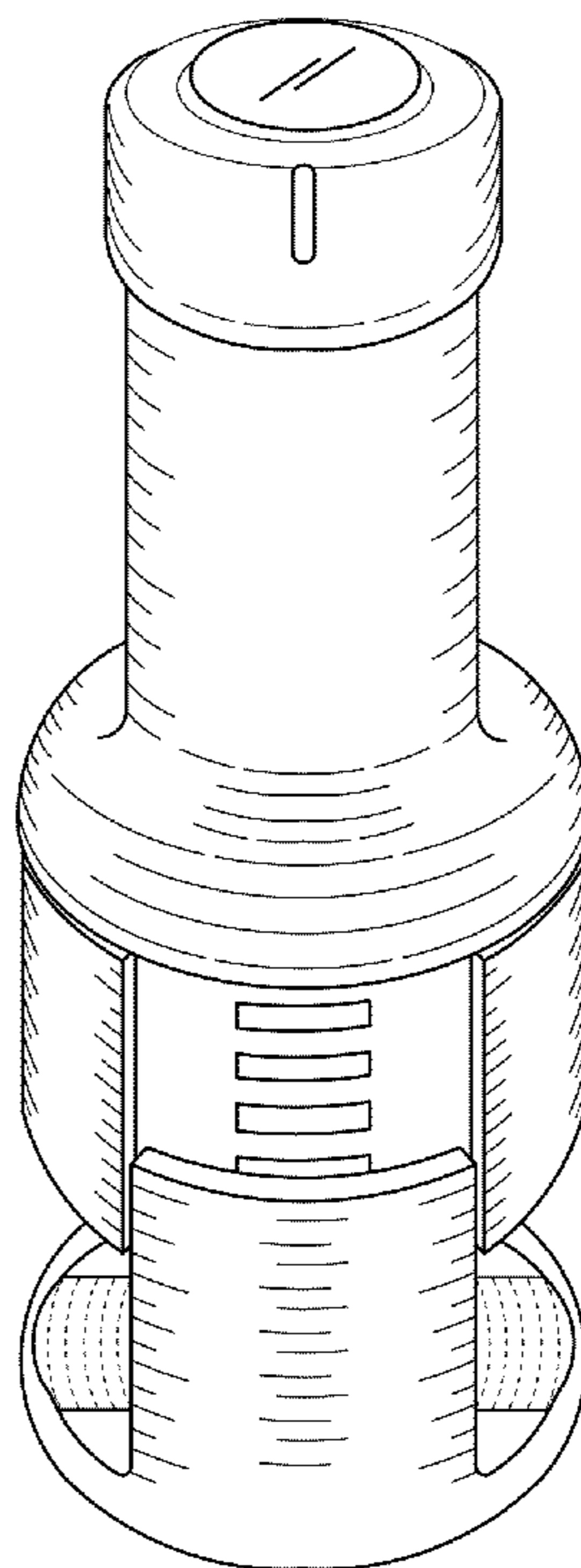
(57) **CLAIM**

The ornamental design for a flashlight, as shown and described.

DESCRIPTION

FIG. 1 is a perspective view showing the front and bottom views of my new flashlight showing my new design, where a cover is extended away from a flashlight housing;
FIG. 2 is perspective view showing the left side and bottom views thereof;
FIG. 3 is a front elevation view thereof;
FIG. 4 is a left side elevation view thereof; and,
FIG. 5 is a top plane view thereof.
The broken line showing is for environmental purposes only and forms no part of the claimed design.

1 Claim, 2 Drawing Sheets



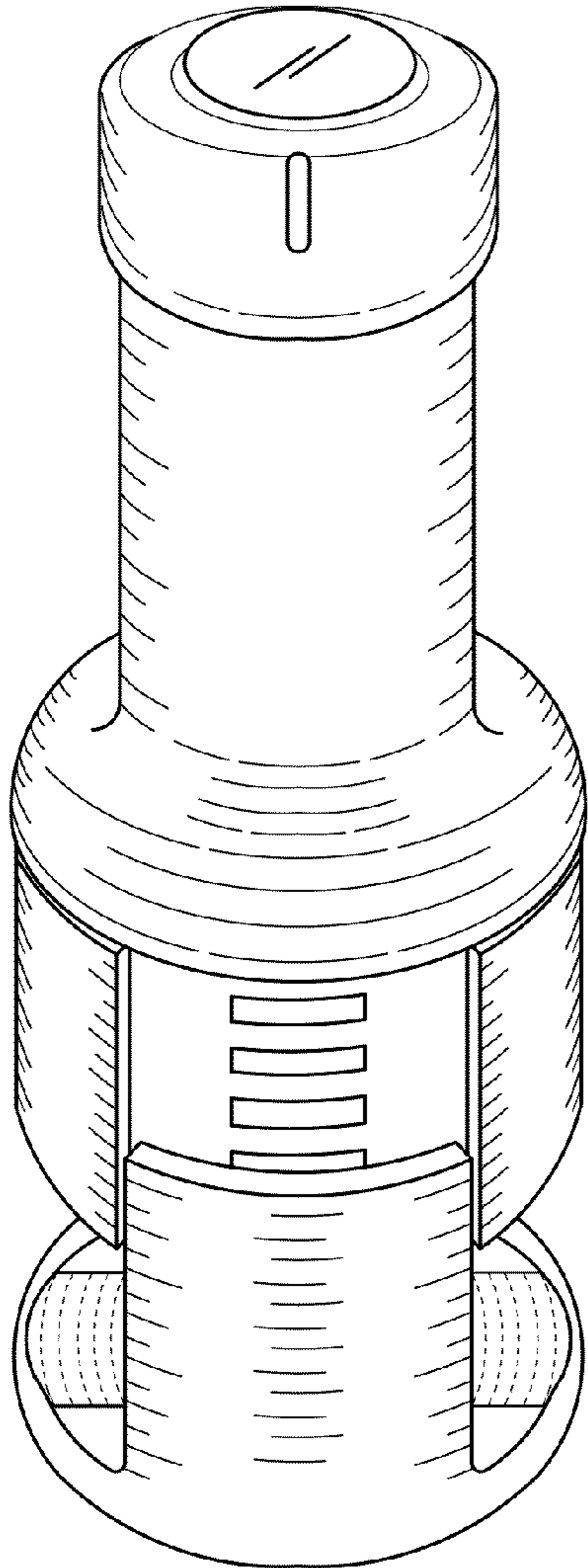


FIG. 1

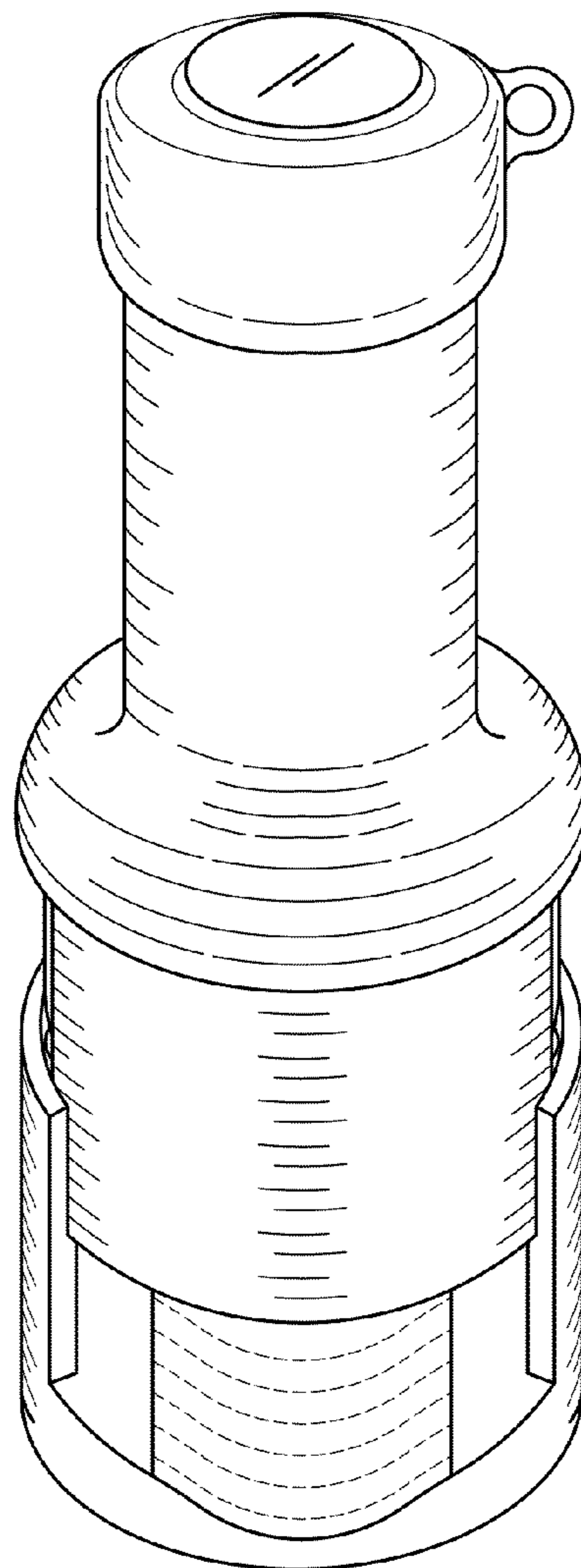


FIG. 2

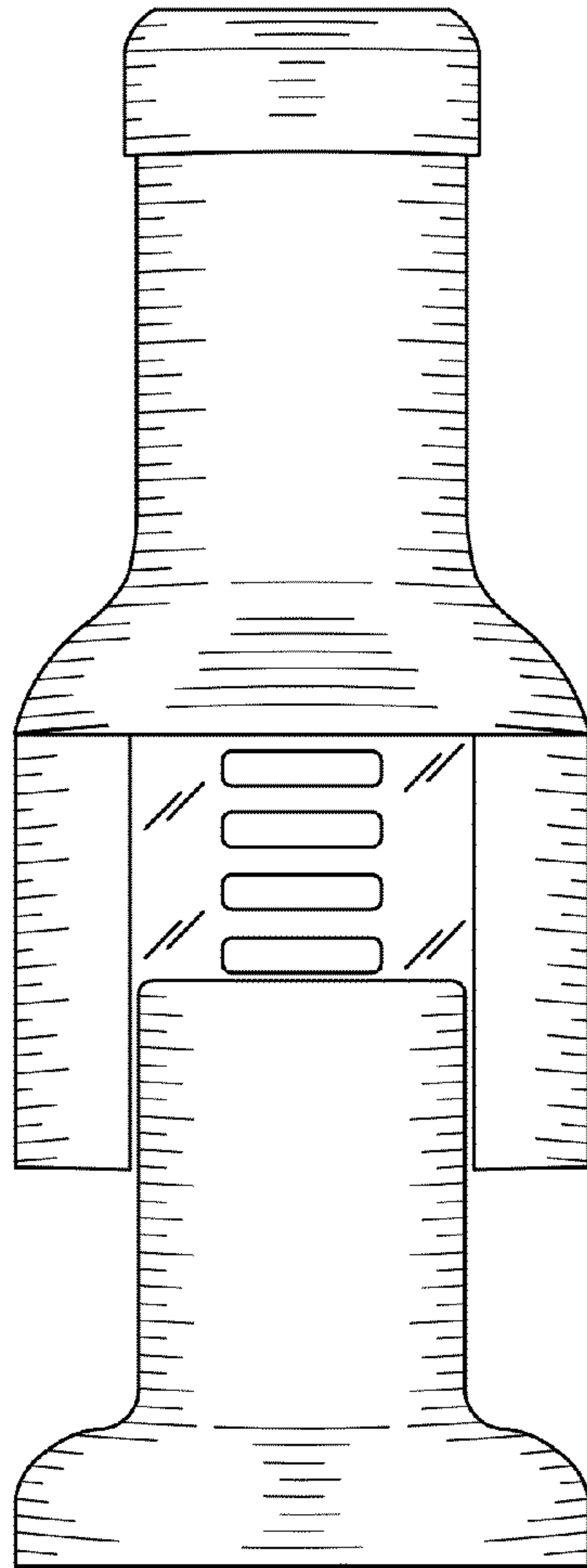


FIG. 3

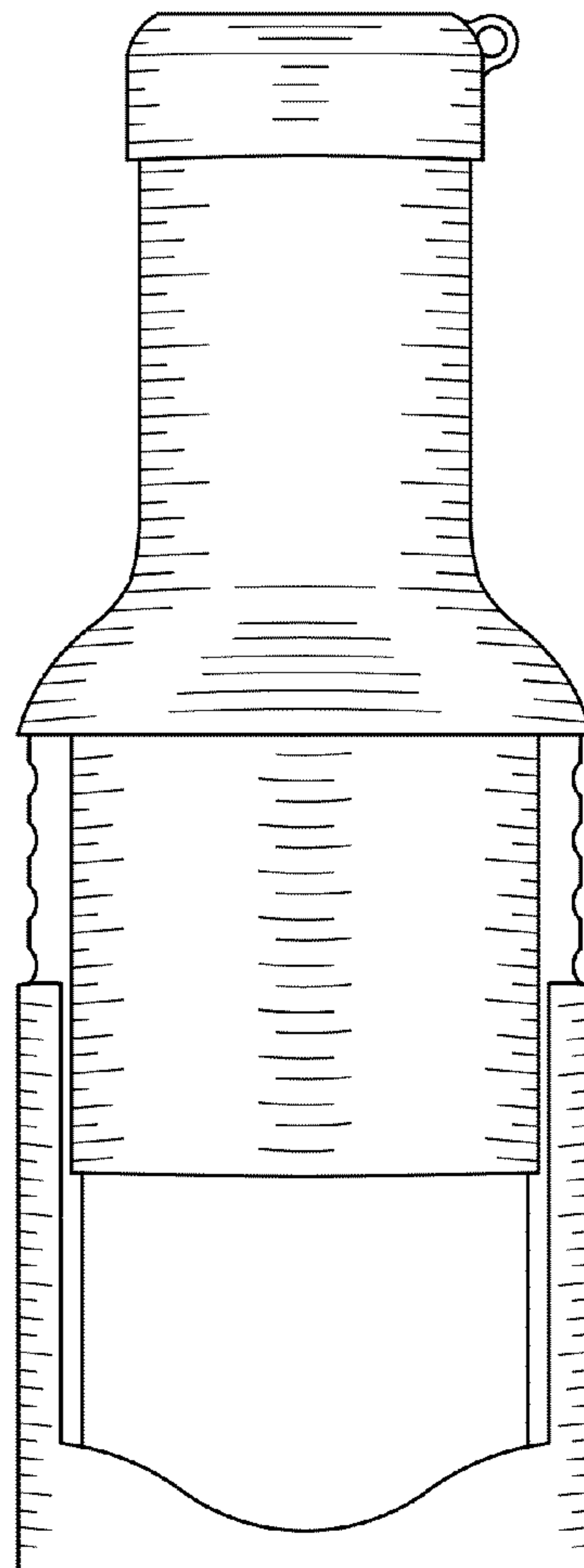


FIG. 4

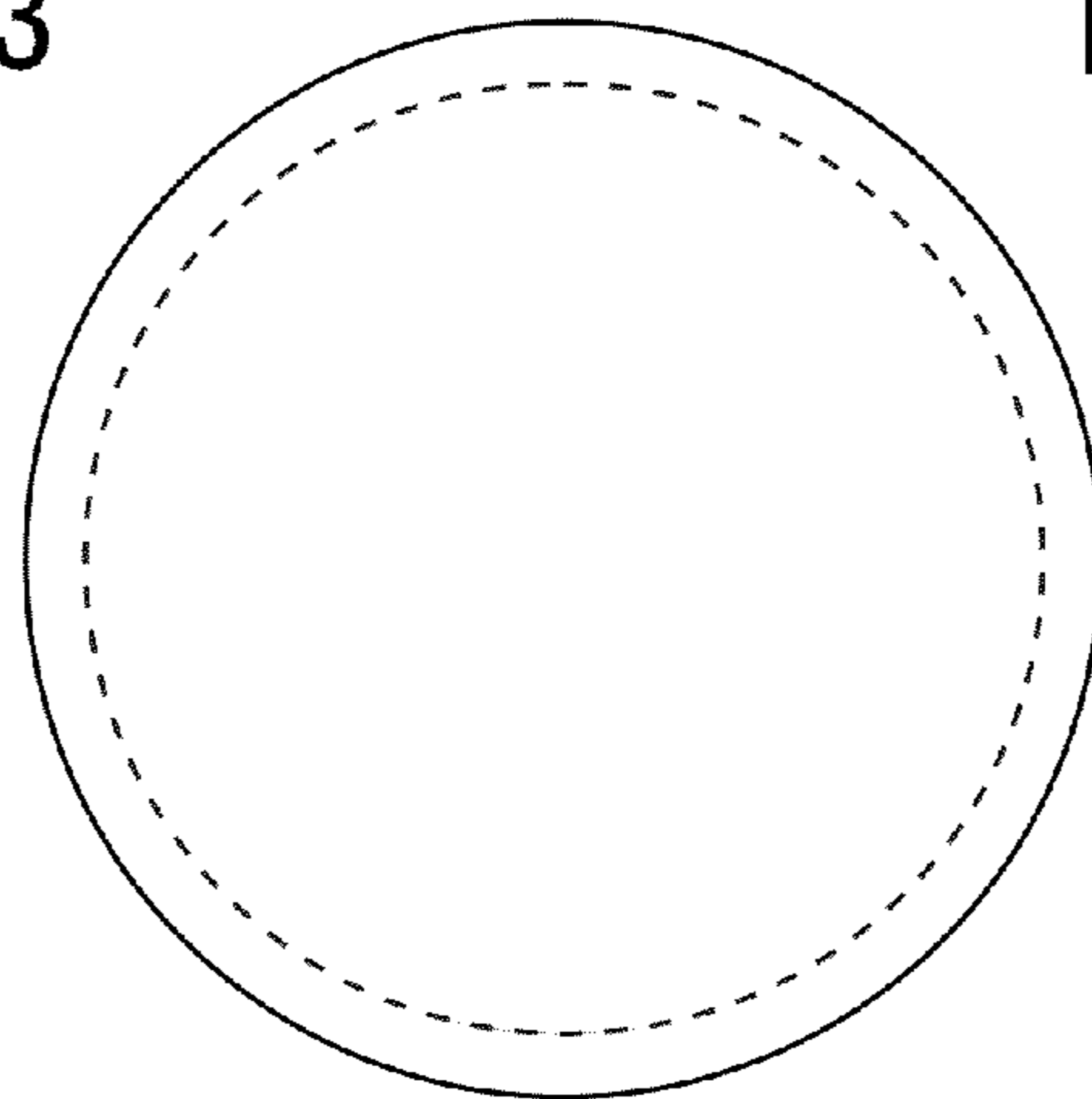


FIG. 5