



US00D711574S

(12) **United States Design Patent**
Shen

(10) **Patent No.:** **US D711,574 S**

(45) **Date of Patent:** **** Aug. 19, 2014**

(54) **SPOTLIGHT**

(75) Inventor: **Guilian Shen**, Ningbo (CN)

(73) Assignee: **Ningbo Taiweite Electric Appliance Co., Ltd**, Ningbo (CN)

(**) Term: **14 Years**

(21) Appl. No.: **29/427,896**

(22) Filed: **Jul. 24, 2012**

(30) **Foreign Application Priority Data**

Apr. 23, 2012 (CN) 2012 3 0124859

(51) **LOC (10) Cl.** **26-02**

(52) **U.S. Cl.**
USPC **D26/45**

(58) **Field of Classification Search**
USPC D26/37, 38, 45, 46, 48, 49, 50;
362/157, 158, 183, 184, 194-196,
362/200-208

See application file for complete search history.

(56) **References Cited**

U.S. PATENT DOCUMENTS

D469,905 S * 2/2003 Levine et al. D26/45
D532,136 S * 11/2006 Krieger et al. D26/45
D556,352 S * 11/2007 Moser D26/45

D603,540 S * 11/2009 Shum et al. D26/45
D628,326 S * 11/2010 Ng D26/45
D657,901 S * 4/2012 Cheung Shing Hei D26/45
D673,705 S * 1/2013 Inskeep D26/45
D673,706 S * 1/2013 Inskeep D26/45
D673,707 S * 1/2013 Inskeep D26/45

* cited by examiner

Primary Examiner — Ian Simmons

Assistant Examiner — Carissa C Fitts

(74) *Attorney, Agent, or Firm* — Woodard, Emhardt, Moriarty, McNett & Henry LLP

(57) **CLAIM**

The ornamental design for a spotlight, as shown and described.

DESCRIPTION

FIG. 1 is a front view of the spotlight, showing my new design;

FIG. 2 is a rear view thereof;

FIG. 3 is a top view thereof;

FIG. 4 is a bottom view thereof;

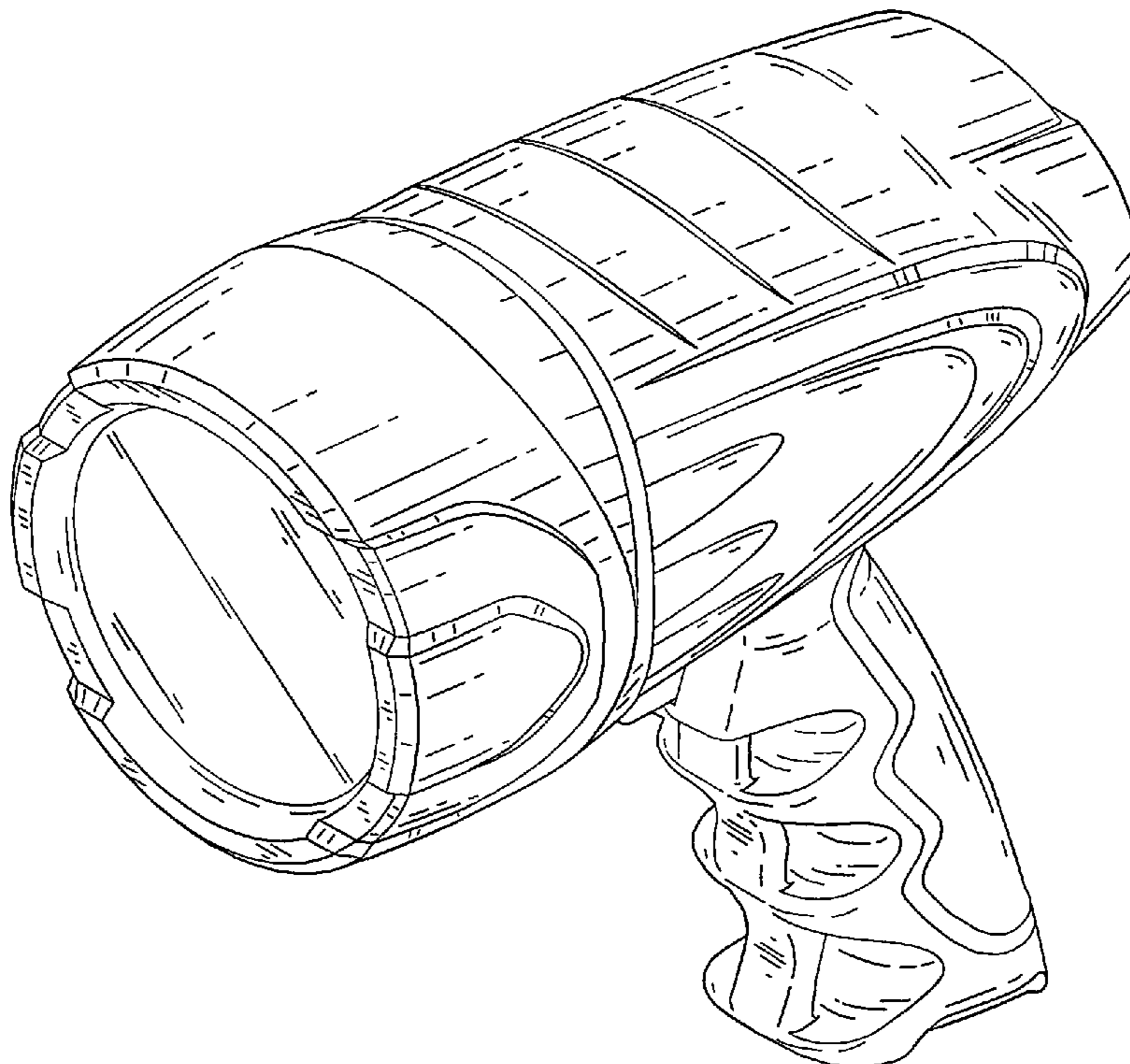
FIG. 5 is a left view thereof;

FIG. 6 is a right view thereof; and,

FIG. 7 is a perspective view thereof.

The broken line showing is for environmental purposes only and forms no part of the claimed design.

1 Claim, 7 Drawing Sheets



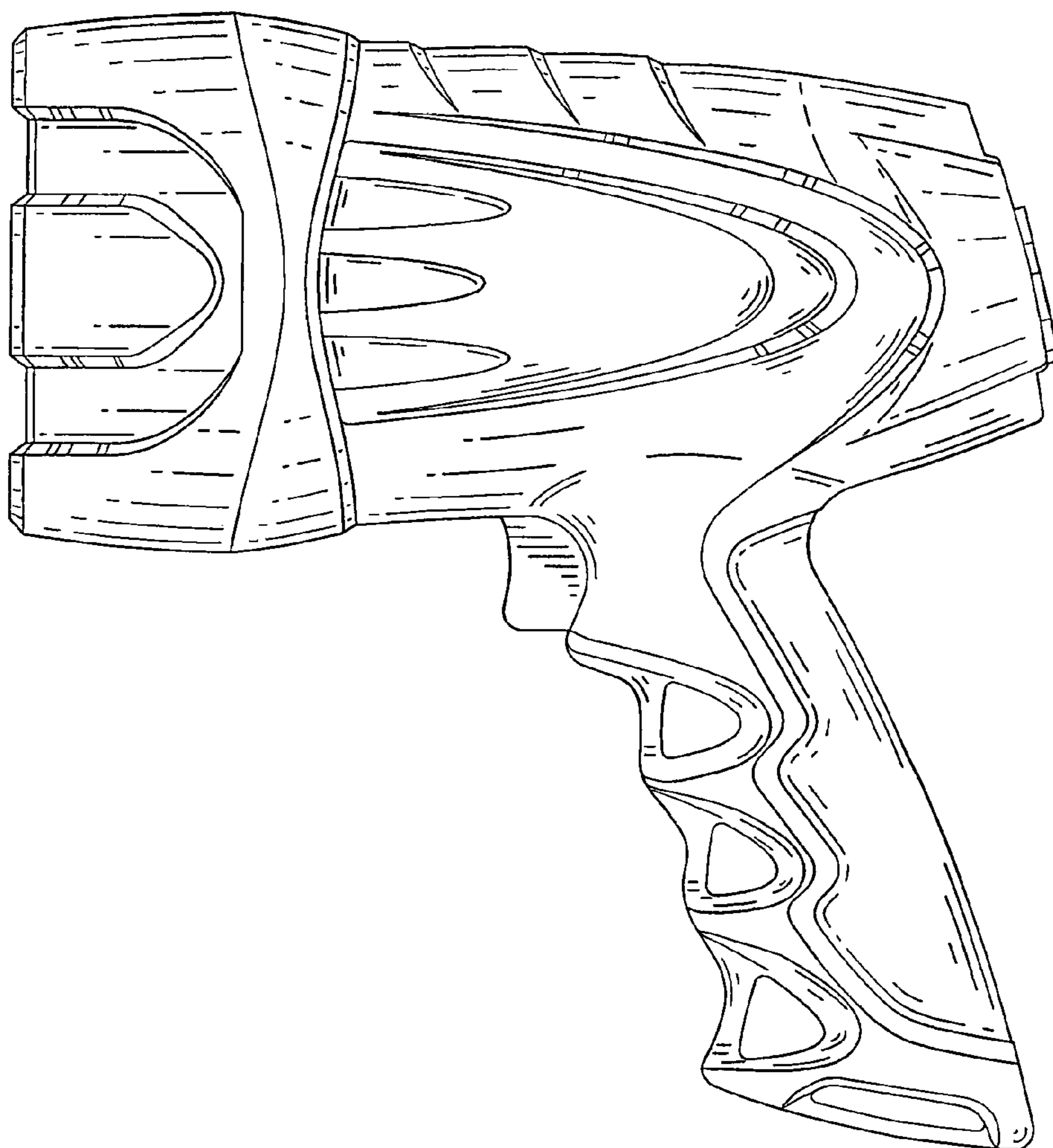


FIG. 1

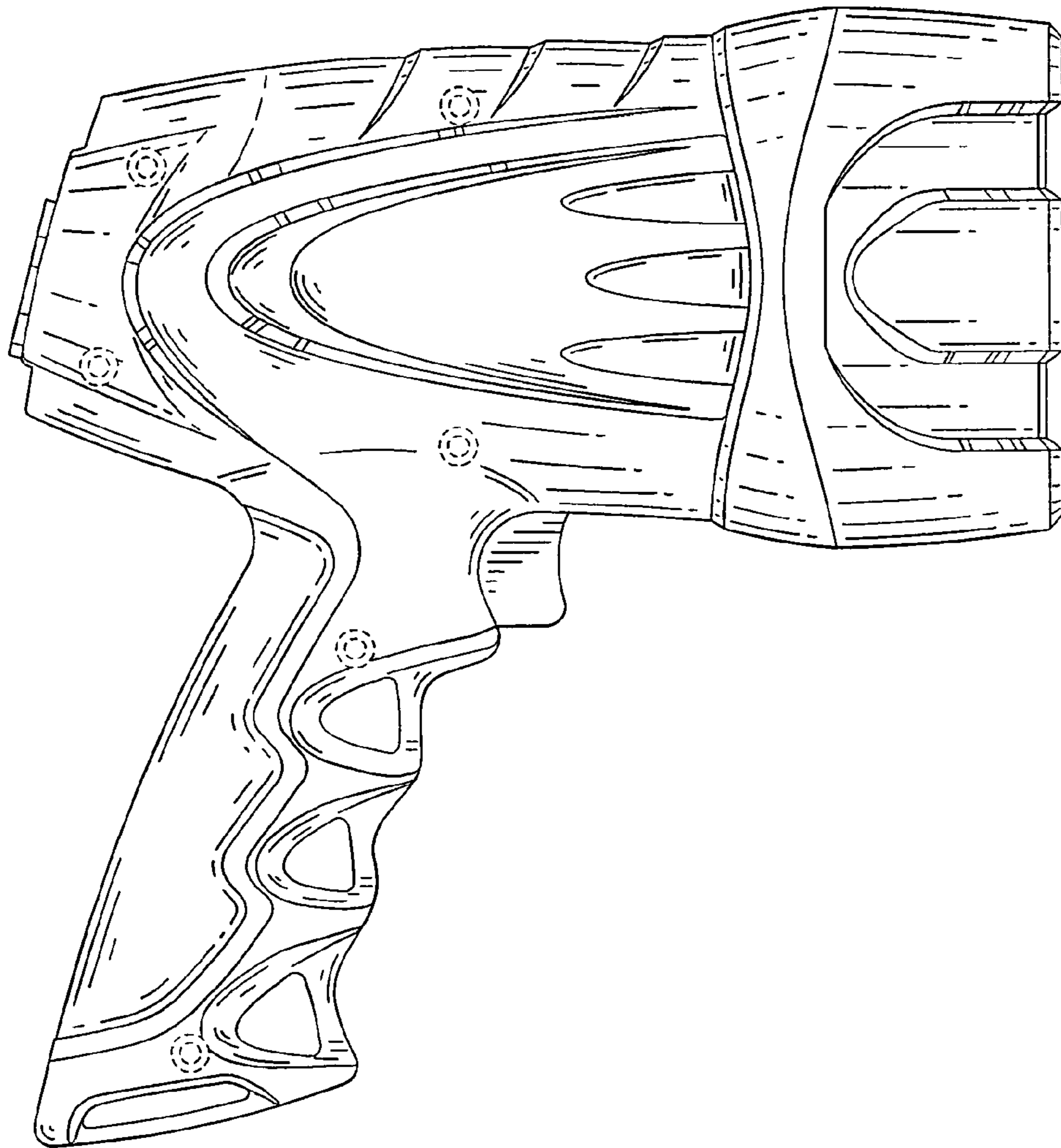


FIG. 2

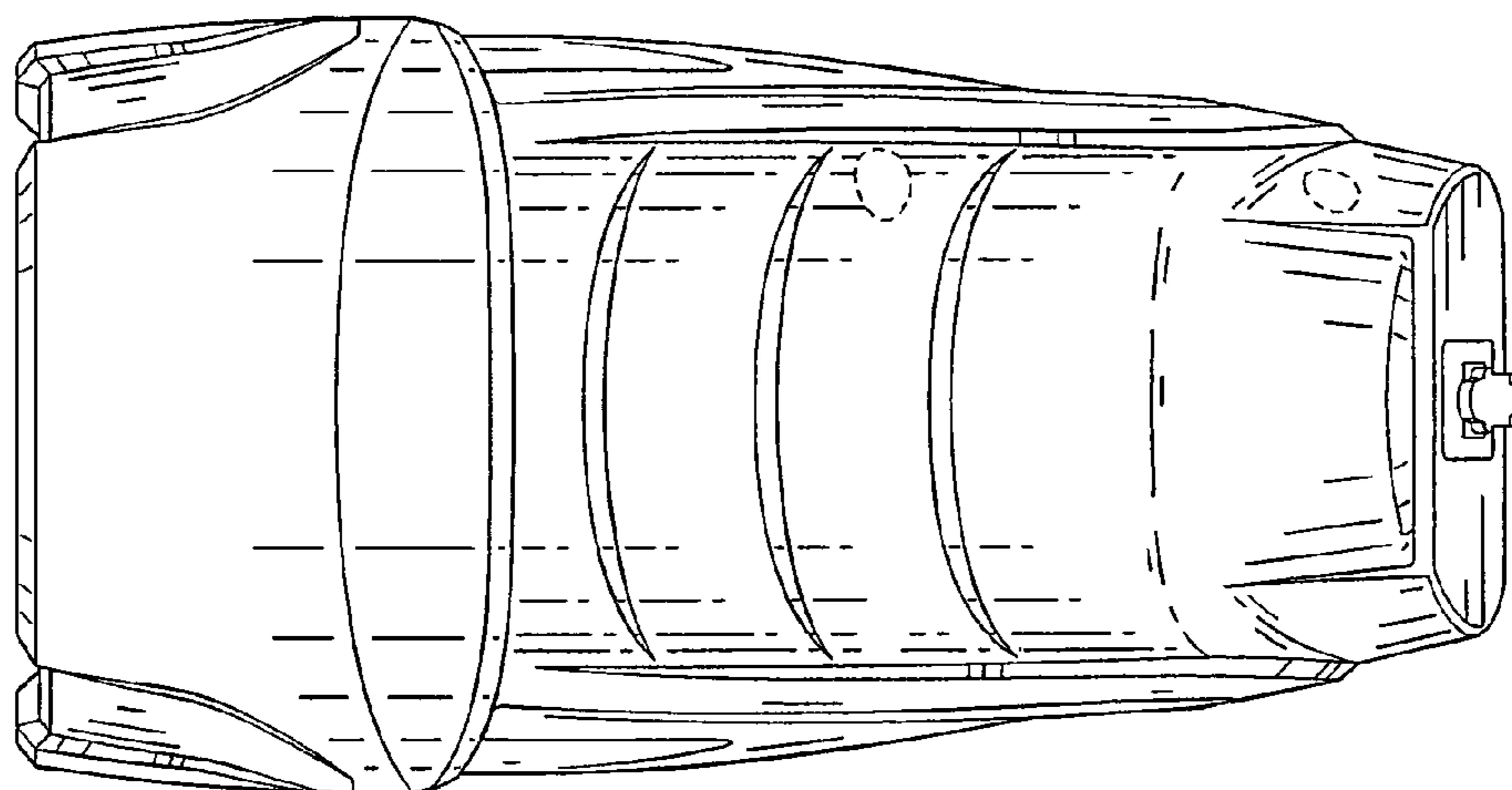


FIG. 3

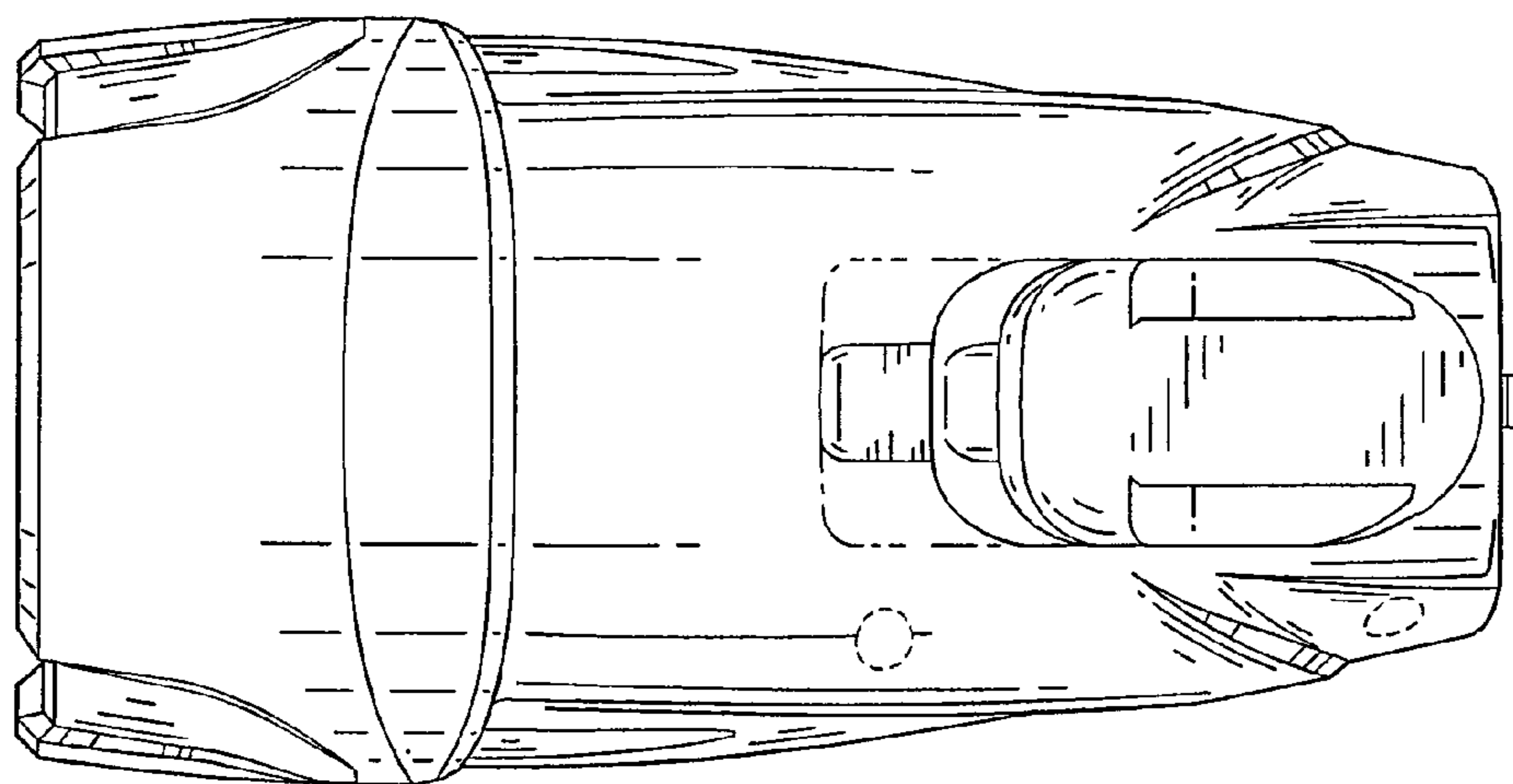


FIG. 4

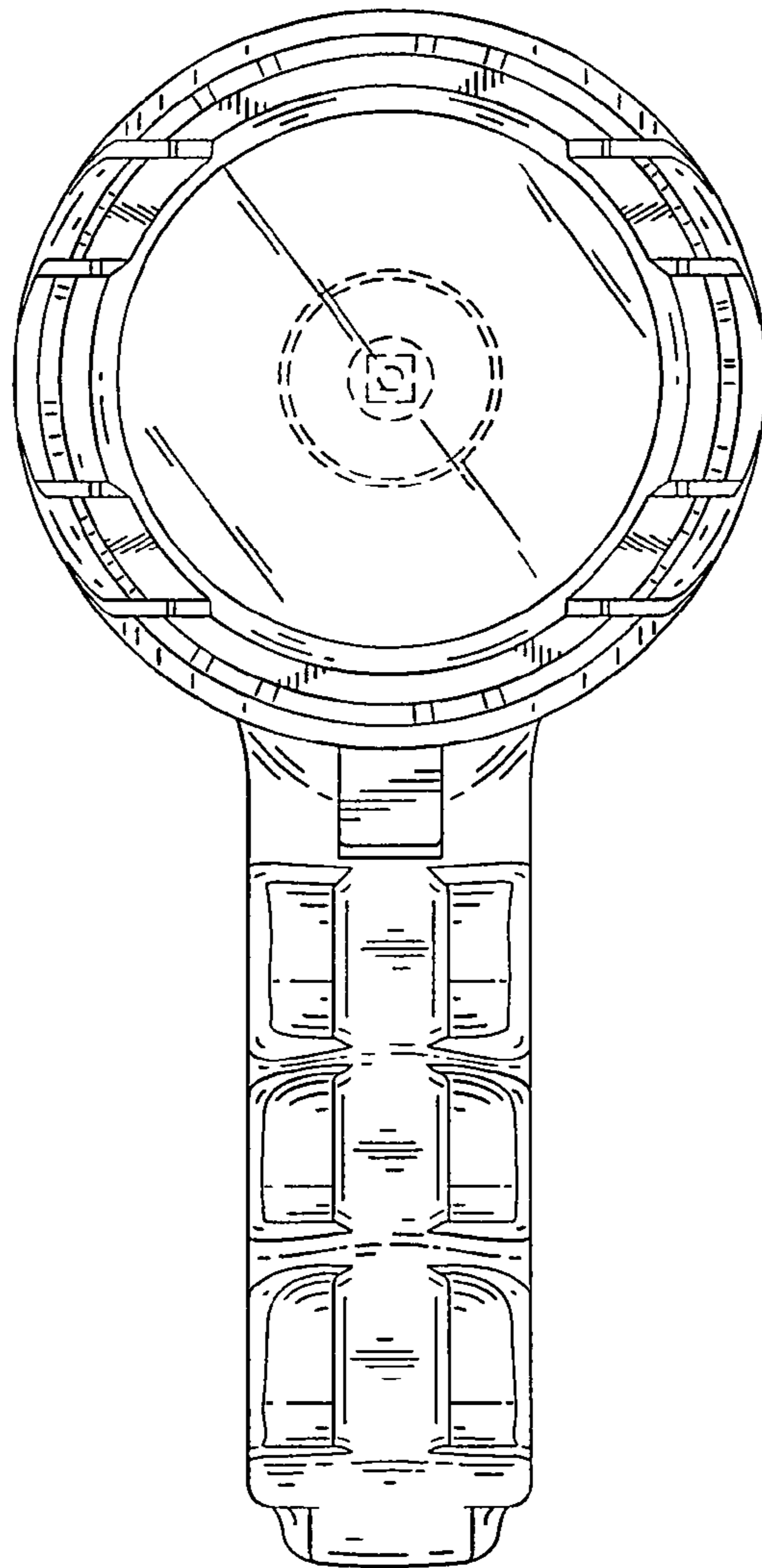


FIG. 5

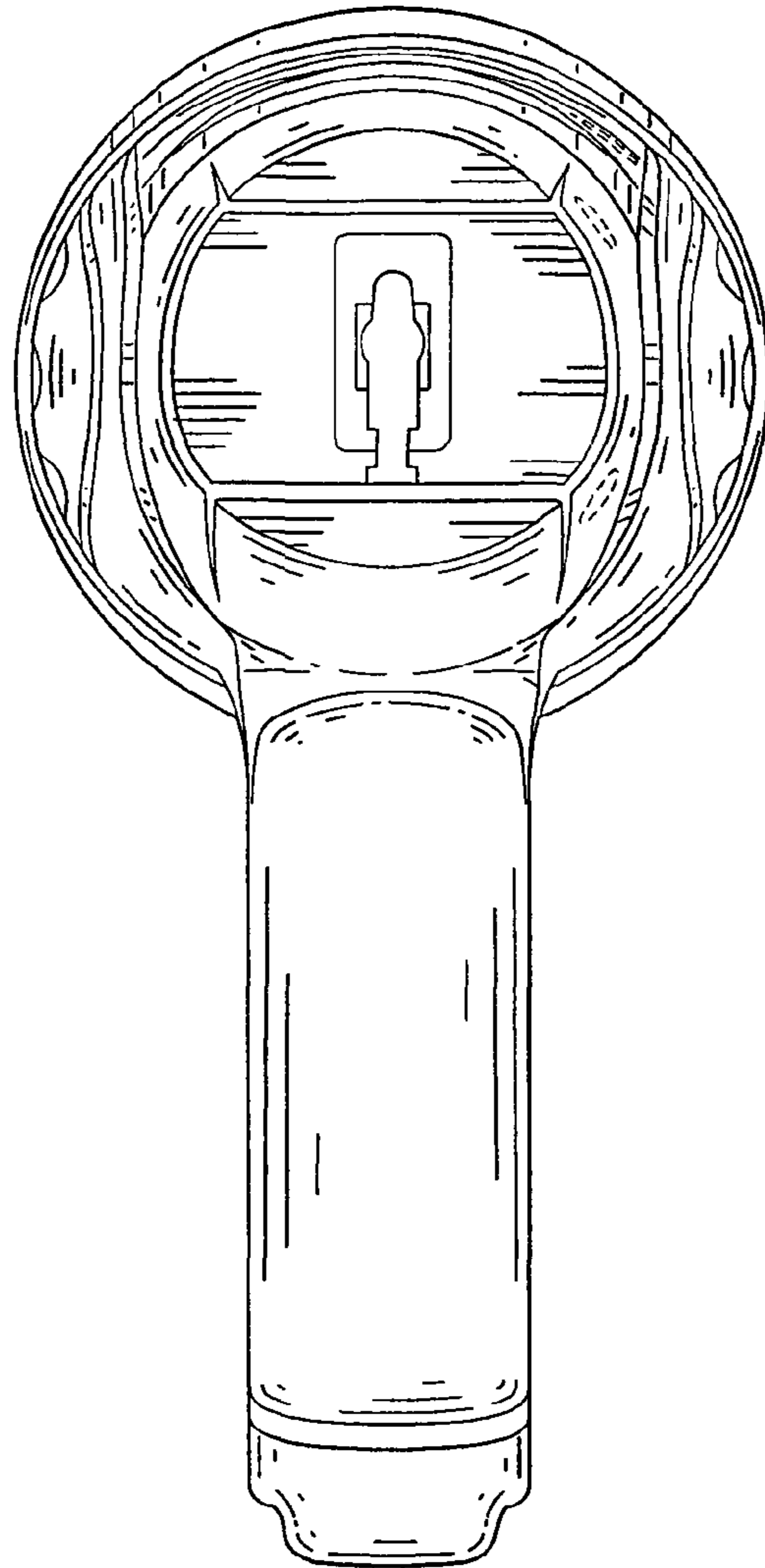


FIG. 6

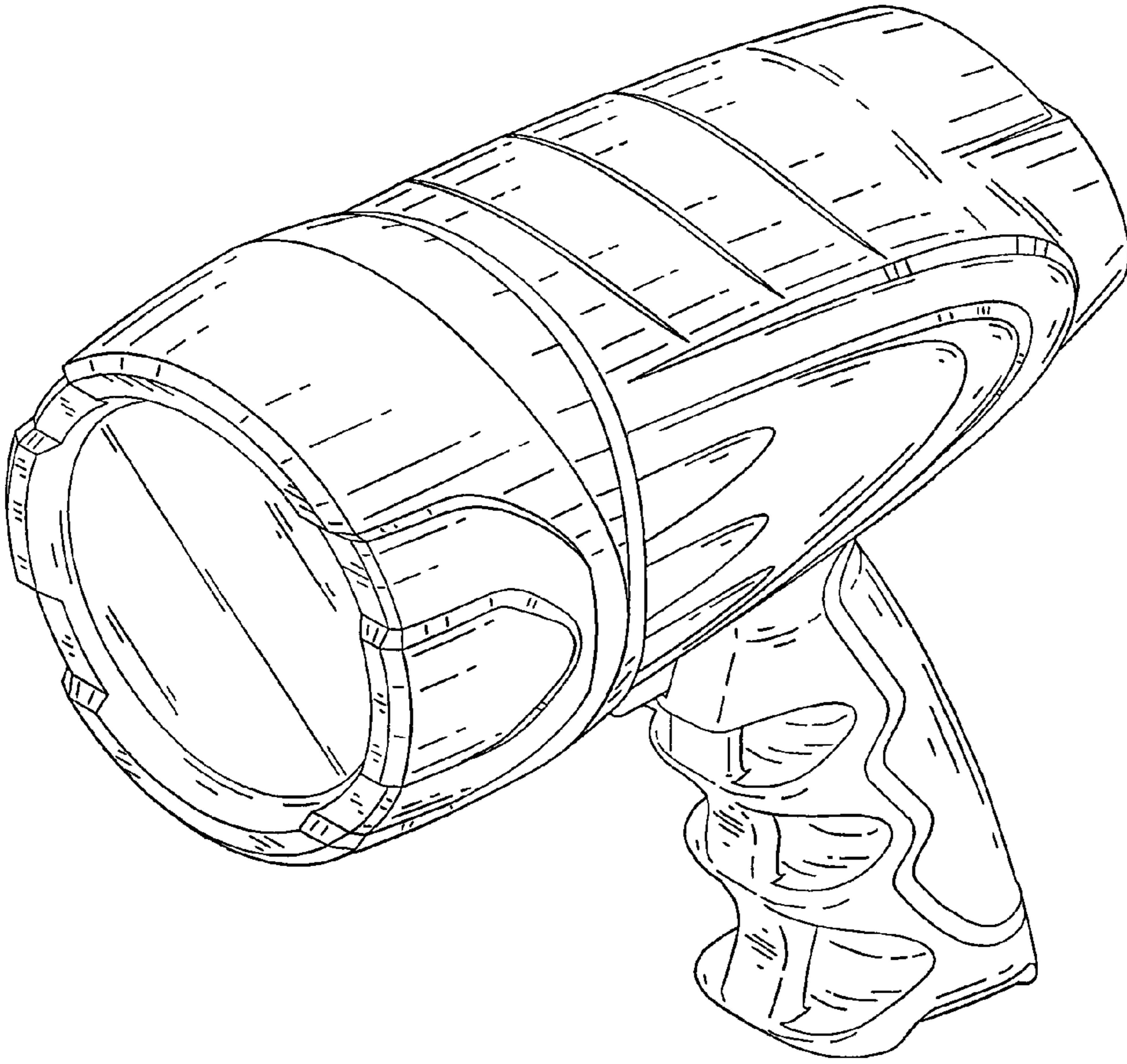


FIG. 7