



US00D711572S

(12) **United States Design Patent**  
**Kwon et al.**

(10) **Patent No.:** **US D711,572 S**

(45) **Date of Patent:** **\*\* Aug. 19, 2014**

(54) **LED LIGHT**

(56) **References Cited**

(71) Applicant: **Koninklijke Philips Electronics N.V.**,  
Eindhoven (NL)

U.S. PATENT DOCUMENTS

(72) Inventors: **Jin Cherl Kwon**, Shanghai (CN); **Justin Jiwei Hu**, Wuhan (CN); **Liwei Gu**, Shanghai (CN); **Diane Roshni Loumabeka**, Boulogne-Billancourt (FR); **Vincent Meng Li**, Shanghai (CN)

D407,512 S *	3/1999	Yuen .....	D26/41
D525,740 S *	7/2006	Parker .....	D26/104
D602,615 S *	10/2009	Liu .....	D26/26
D605,337 S *	12/2009	Zhang et al. ....	D26/93
D624,222 S *	9/2010	Poon .....	D26/46
D627,089 S *	11/2010	Loibl .....	D26/40
D652,162 S *	1/2012	Wu .....	D26/47
D667,577 S *	9/2012	Wu .....	D26/49
D693,499 S *	11/2013	Bennett et al. ....	D26/37
D694,444 S *	11/2013	Poon .....	D26/40

(73) Assignee: **Koninklijke Philips N.V.**, Eindhoven (NL)

\* cited by examiner

(\*\*) Term: **14 Years**

*Primary Examiner* — Ian Simmons

*Assistant Examiner* — Carissa C Fitts

(21) Appl. No.: **29/447,442**

(57) **CLAIM**

The ornamental design for a LED light, as shown and described.

(22) Filed: **Mar. 4, 2013**

**DESCRIPTION**

(30) **Foreign Application Priority Data**

Sep. 4, 2012 (EM) ..... 002096834-0002

(51) **LOC (10) Cl.** ..... **26-02**

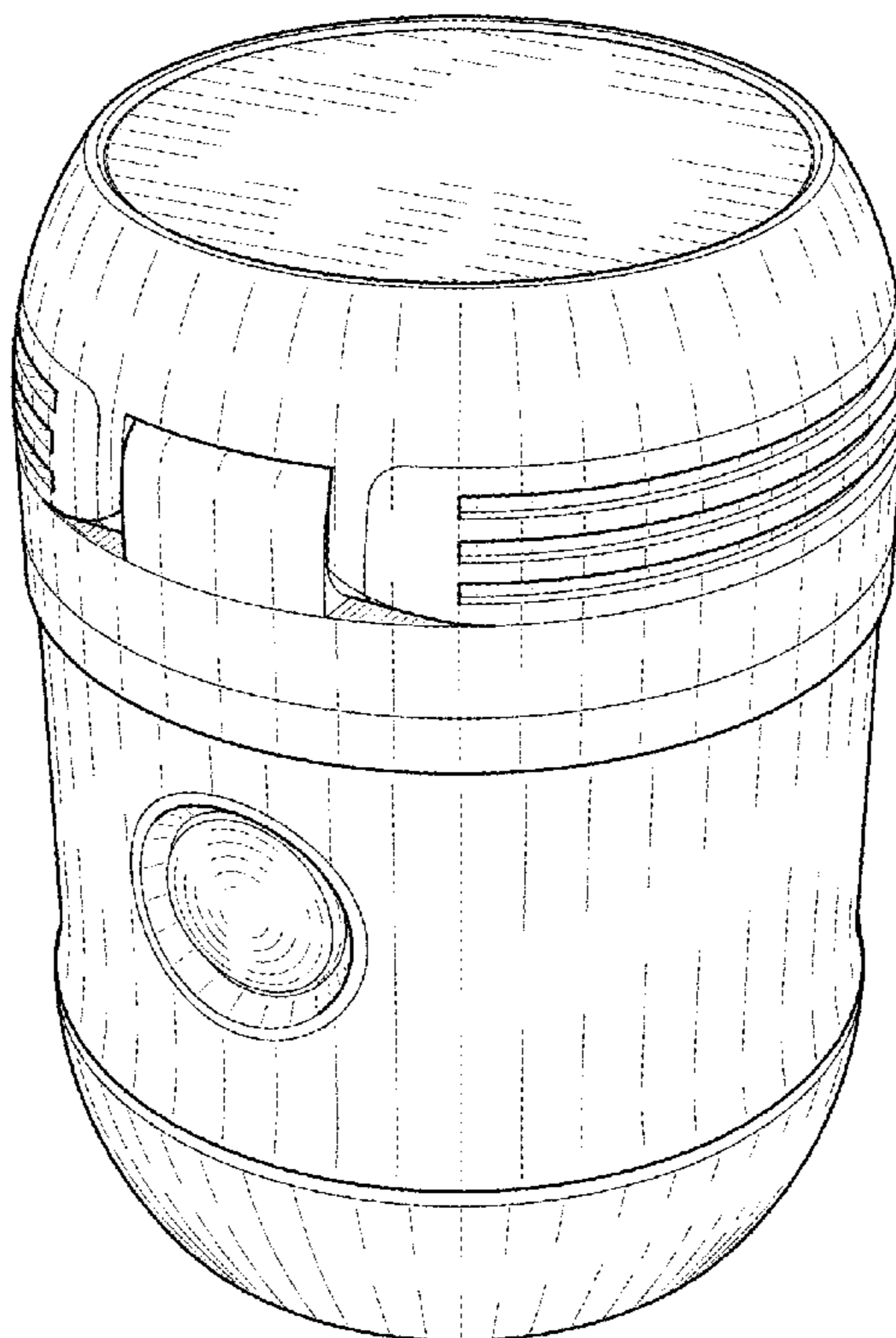
(52) **U.S. Cl.**  
USPC ..... **D26/37**

(58) **Field of Classification Search**  
USPC ..... D26/37, 38, 40, 41, 44, 45, 46, 49;  
362/157, 158, 183, 184, 171-174,  
362/194-196, 200-208

FIG. 1 is a perspective view showing my design;  
FIG. 2 is a front elevational view thereof;  
FIG. 3 is a rear elevational view thereof;  
FIG. 4 is a right side elevational view thereof;  
FIG. 5 is a left side elevational view thereof;  
FIG. 6 is a top plan view thereof; and,  
FIG. 7 is a bottom plan view thereof.  
The broken line showing is for environmental purposes only and forms no part of the claimed design.

See application file for complete search history.

**1 Claim, 7 Drawing Sheets**



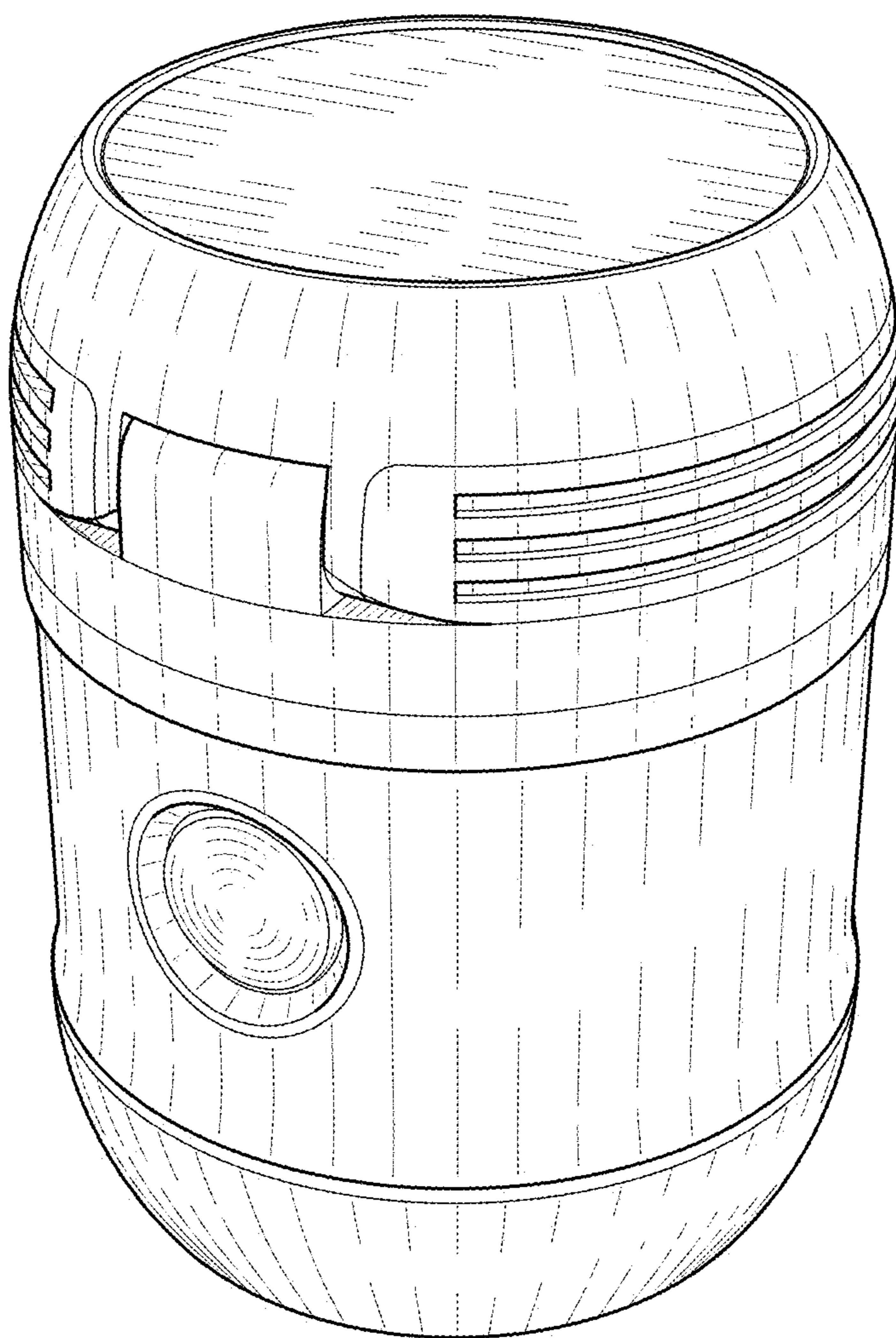


FIG. 1

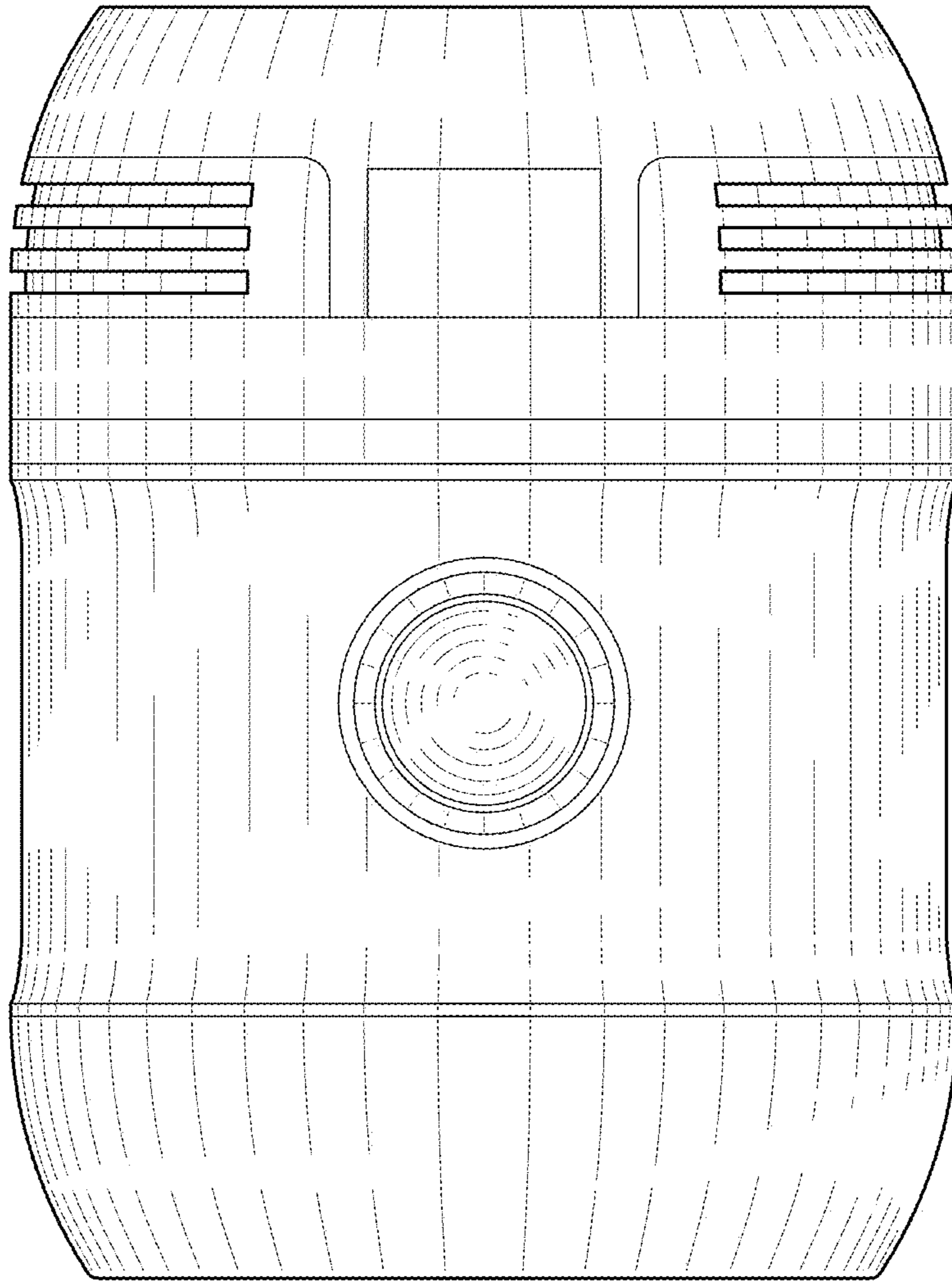


FIG. 2

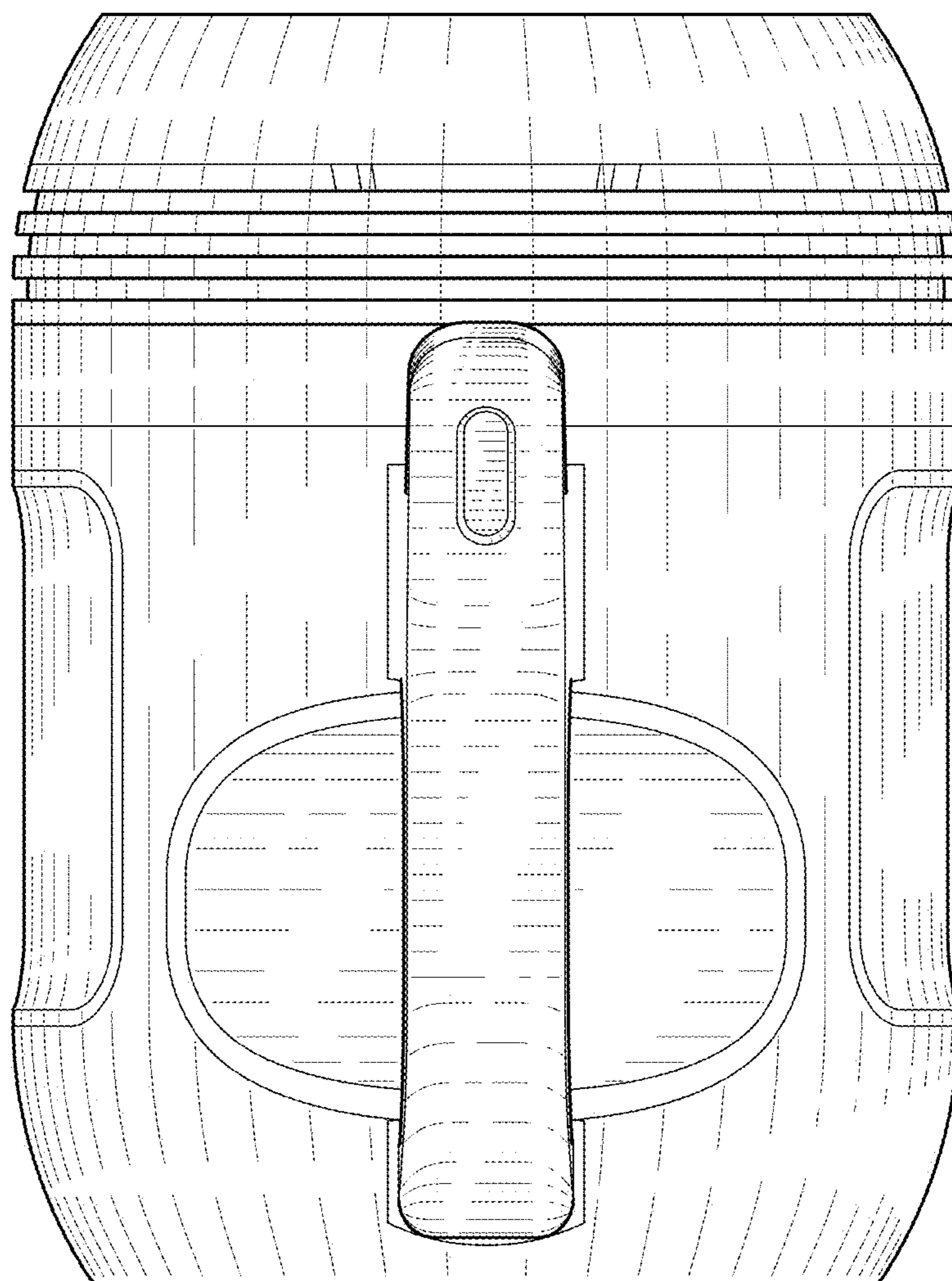


FIG. 3

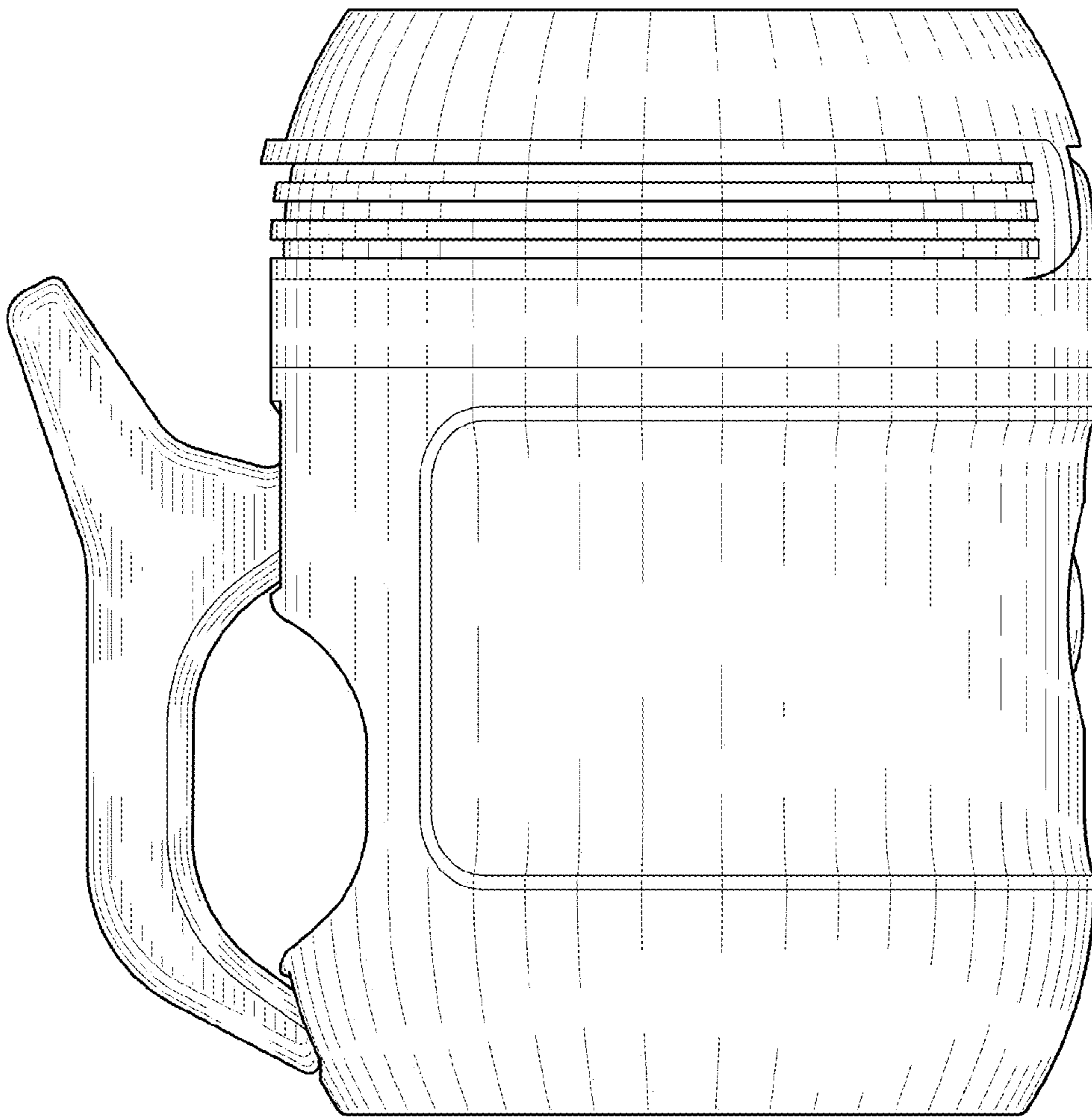


FIG. 4

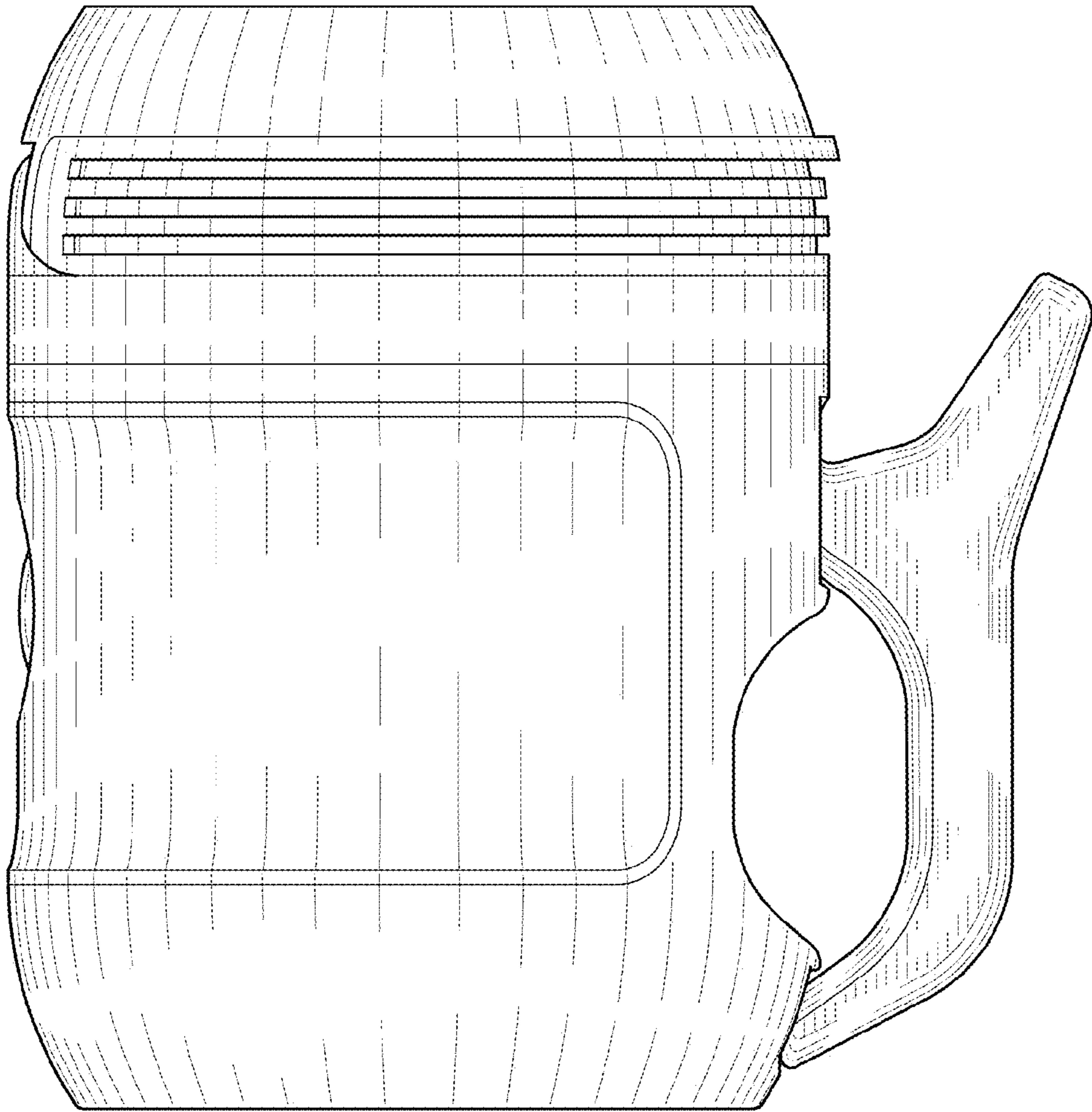


FIG. 5

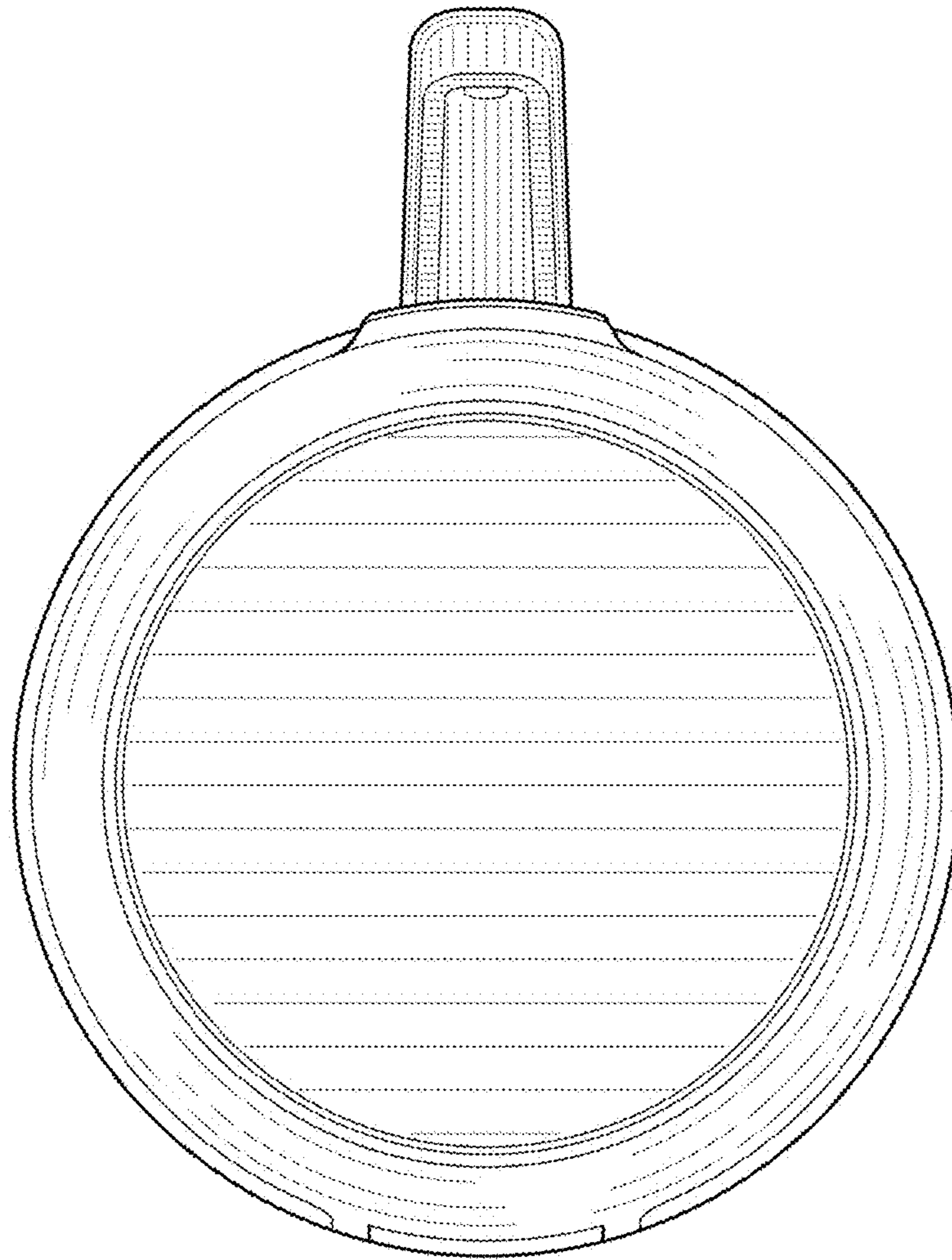


FIG. 6

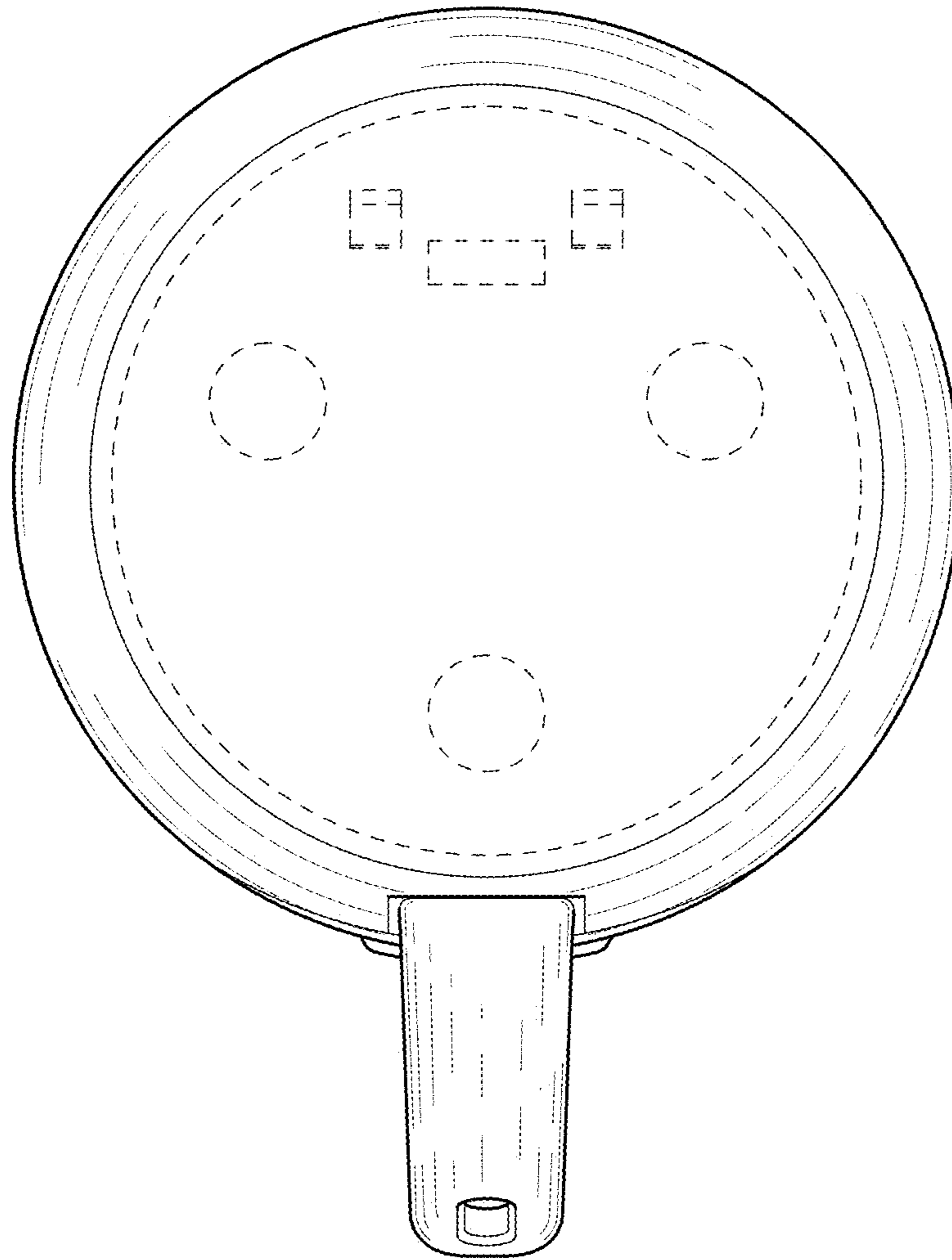


FIG. 7