



US00D711570S

(12) **United States Design Patent**  
**Wu**

(10) **Patent No.:** **US D711,570 S**

(45) **Date of Patent:** **\*\* Aug. 19, 2014**

(54) **VEHICLE LIGHT**

(71) Applicant: **Coplus Inc.**, Tainan (TW)

(72) Inventor: **Hua-Chi Wu**, Tainan (TW)

(73) Assignee: **Coplus Inc.**, Tainan (TW)

(\*\*) Term: **14 Years**

(21) Appl. No.: **29/443,615**

(22) Filed: **Jan. 18, 2013**

(30) **Foreign Application Priority Data**

Dec. 4, 2012 (EM) ..... 002146977-0017

(51) **LOC (10) Cl.** ..... **26-06**

(52) **U.S. Cl.**  
USPC ..... **D26/28**

(58) **Field of Classification Search**  
USPC ..... D26/28-36; 362/459-468, 475-478,  
362/485-487

See application file for complete search history.

(56) **References Cited**

U.S. PATENT DOCUMENTS

D550,383 S *	9/2007	Asai .....	D26/28
D556,349 S *	11/2007	Golden et al. ....	D26/28
D560,291 S *	1/2008	Koyama .....	D26/28
D561,358 S *	2/2008	Tachibana .....	D26/28
D635,694 S *	4/2011	Yang et al. ....	D26/28
D670,012 S *	10/2012	Herbin et al. ....	D26/28

\* cited by examiner

*Primary Examiner* — Marcus Jackson

(74) *Attorney, Agent, or Firm* — Christie, Parker & Hale, LLP

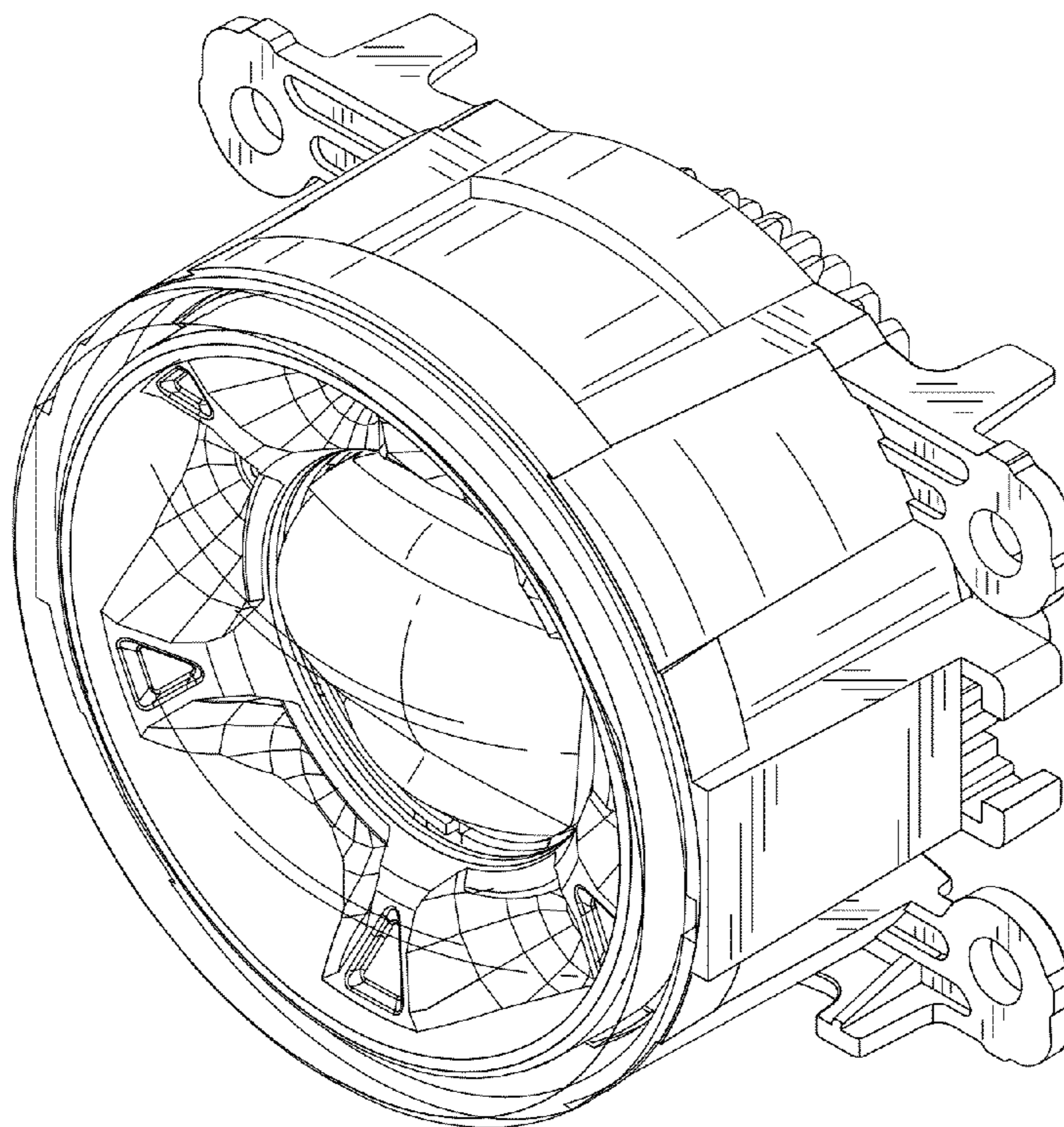
(57) **CLAIM**

The ornamental design for a vehicle light, as shown and described.

**DESCRIPTION**

FIG. 1 is a front perspective view of the vehicle light;  
FIG. 2 is a rear perspective view thereof;  
FIG. 3 is a front side view thereof;  
FIG. 4 is a rear side view thereof;  
FIG. 5 is a left side view thereof;  
FIG. 6 is a right side view thereof;  
FIG. 7 is a top side view thereof; and,  
FIG. 8 is a bottom side view thereof.

**1 Claim, 6 Drawing Sheets**



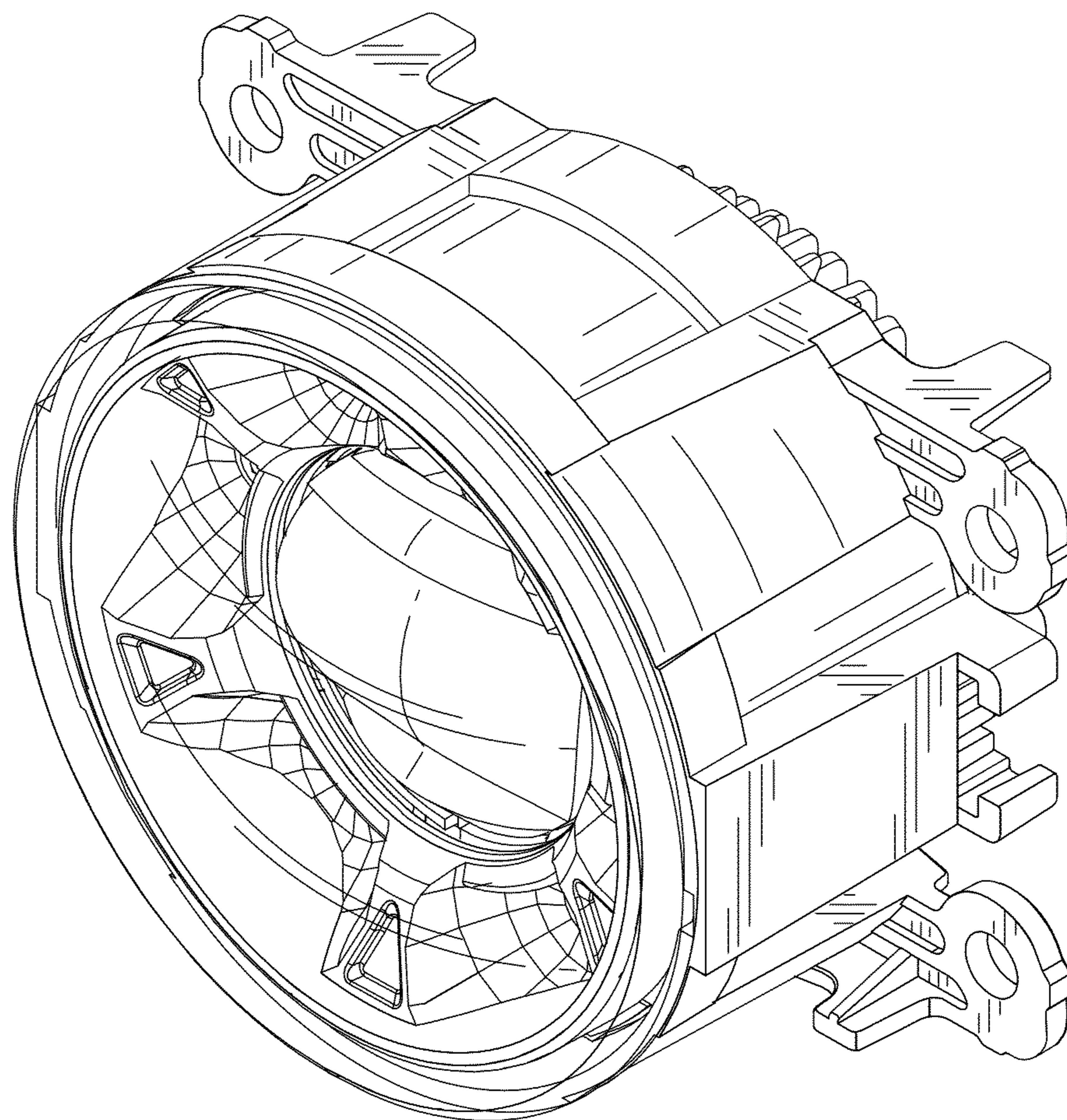


FIG. 1



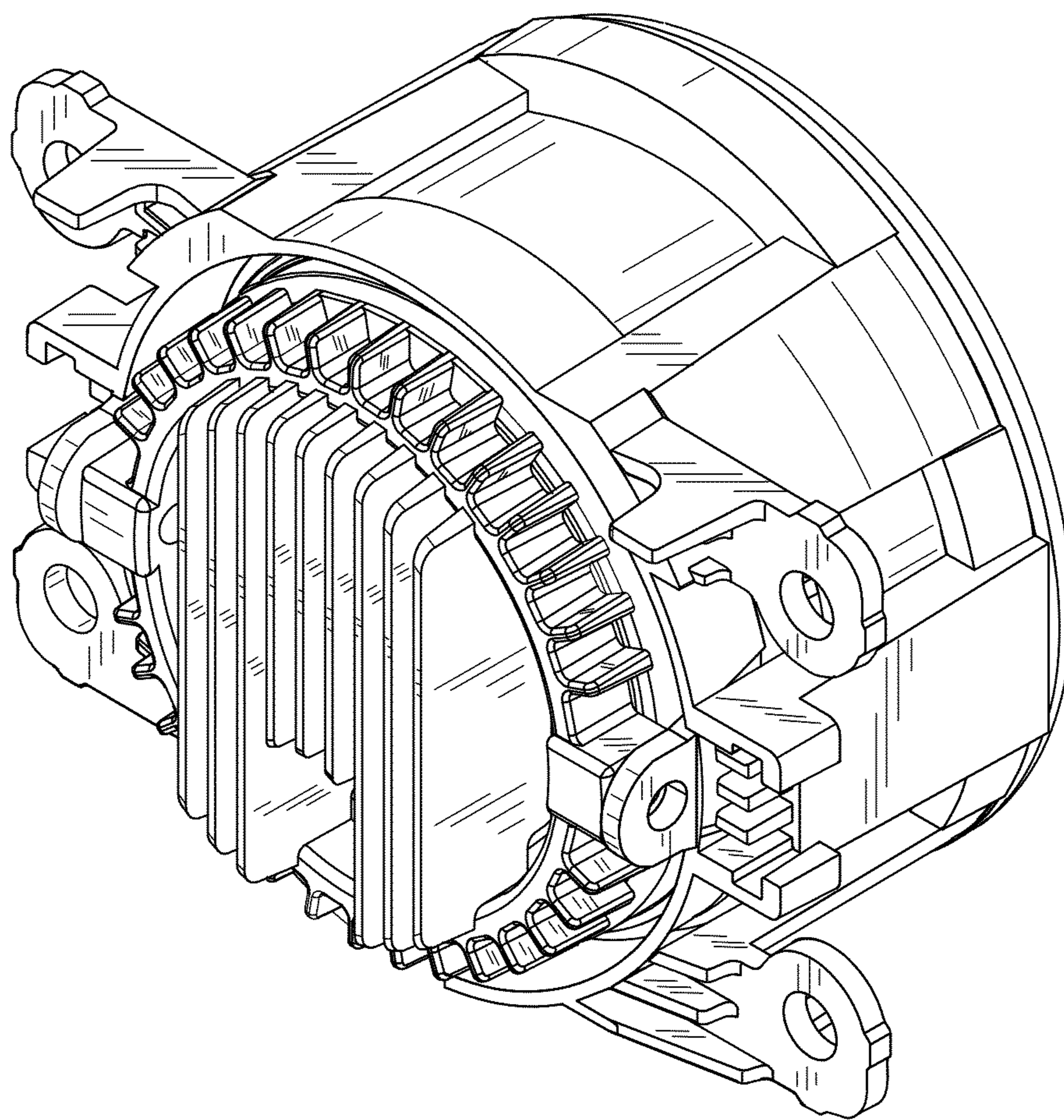


FIG. 2

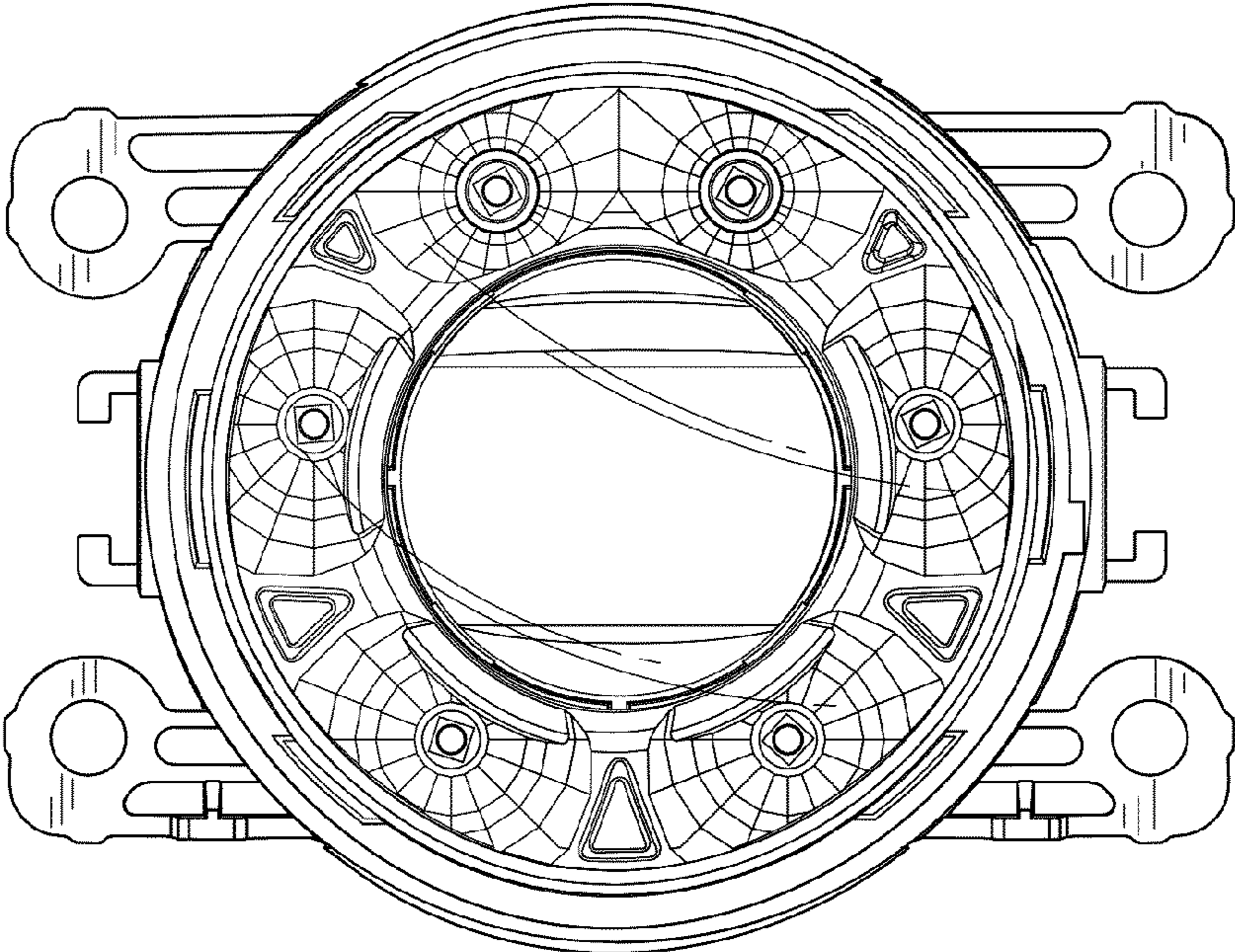


FIG. 3

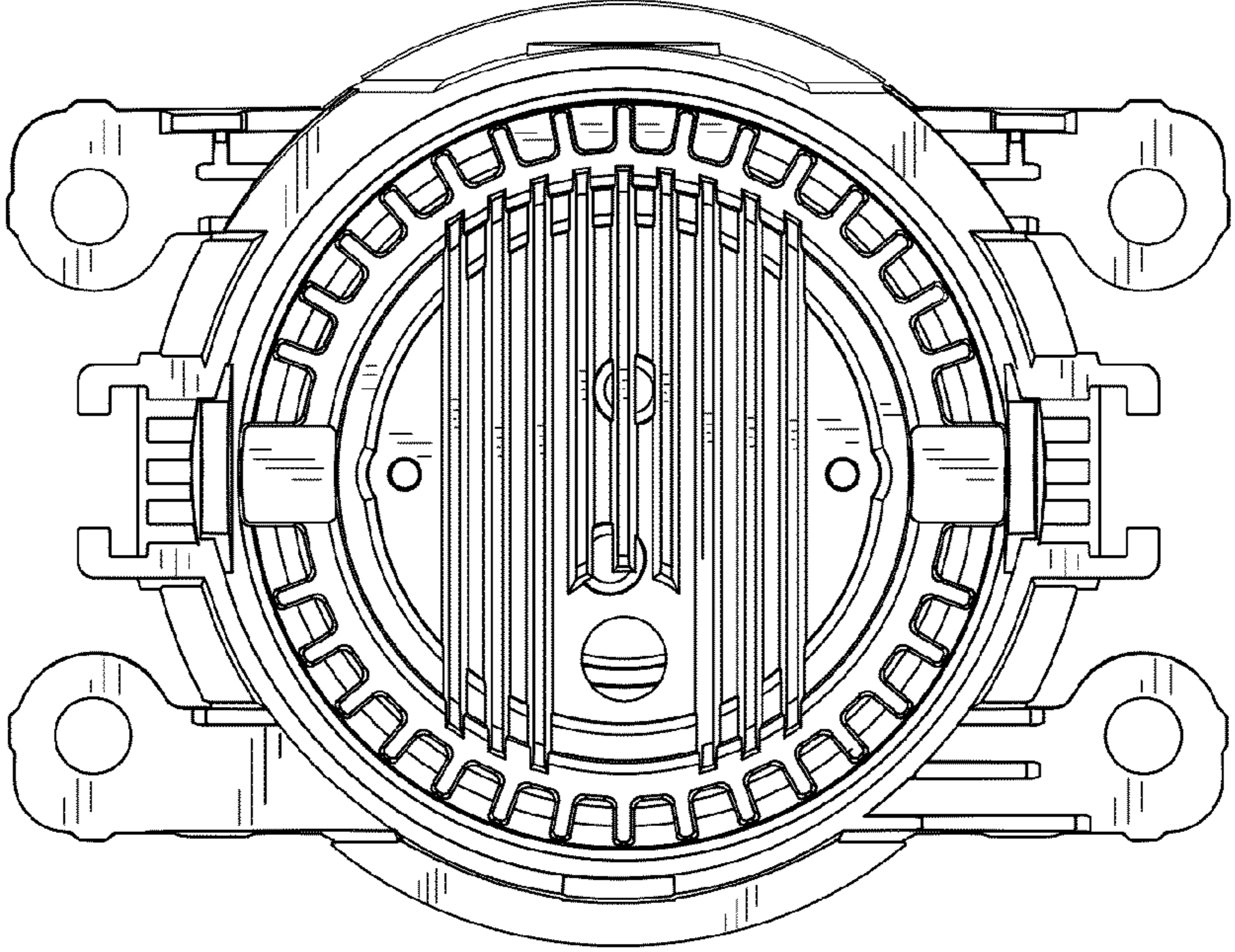


FIG. 4



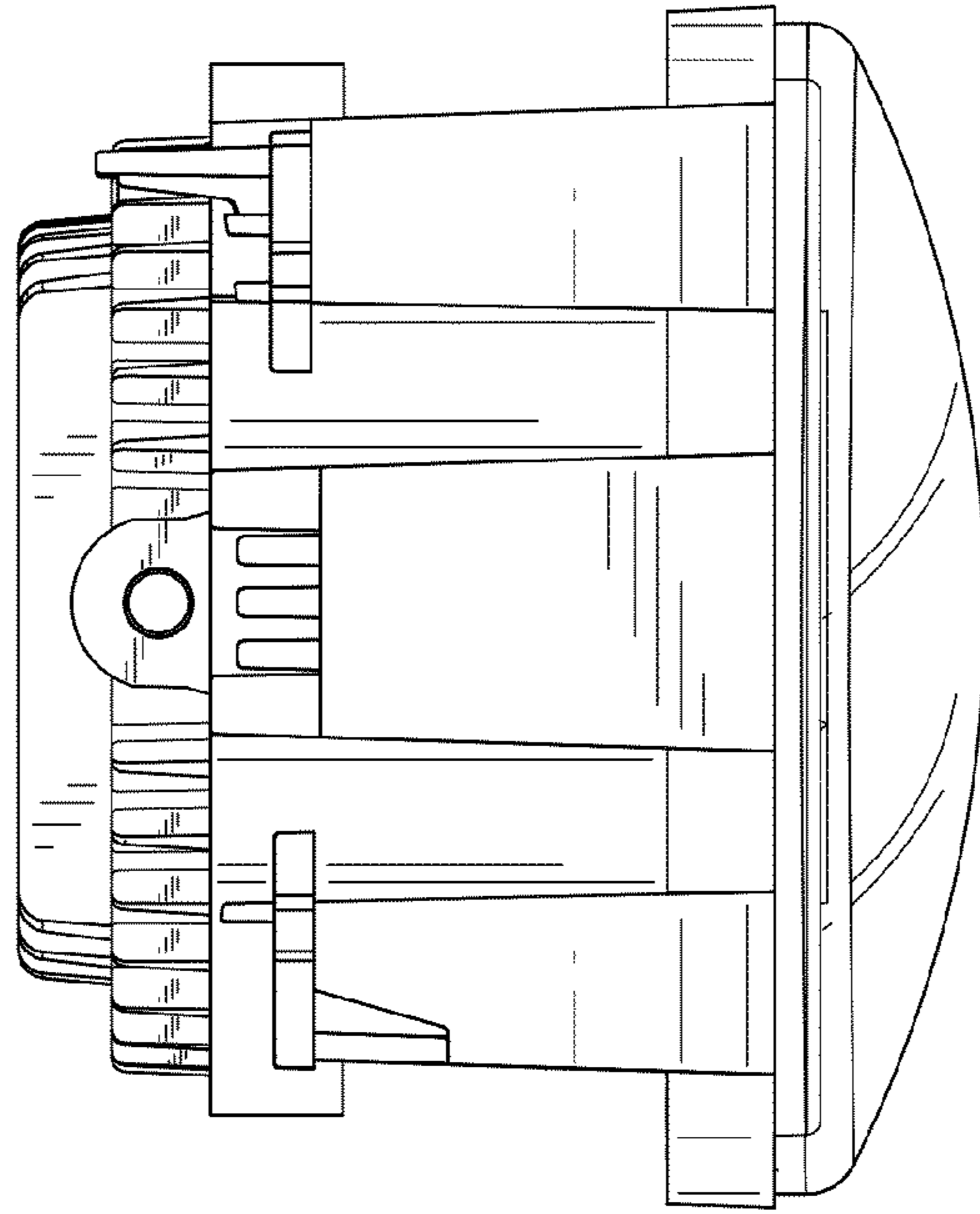


FIG. 5

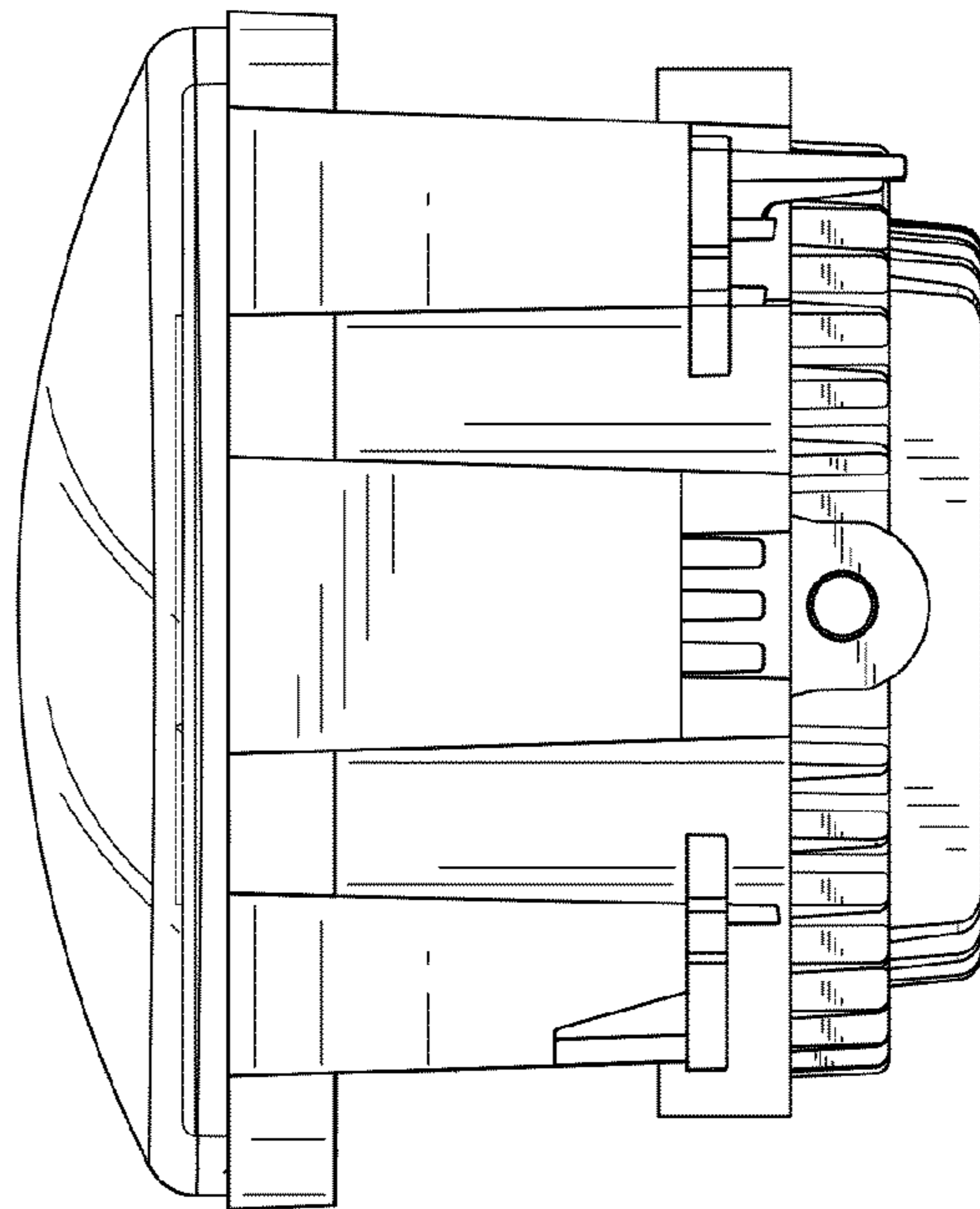


FIG. 6

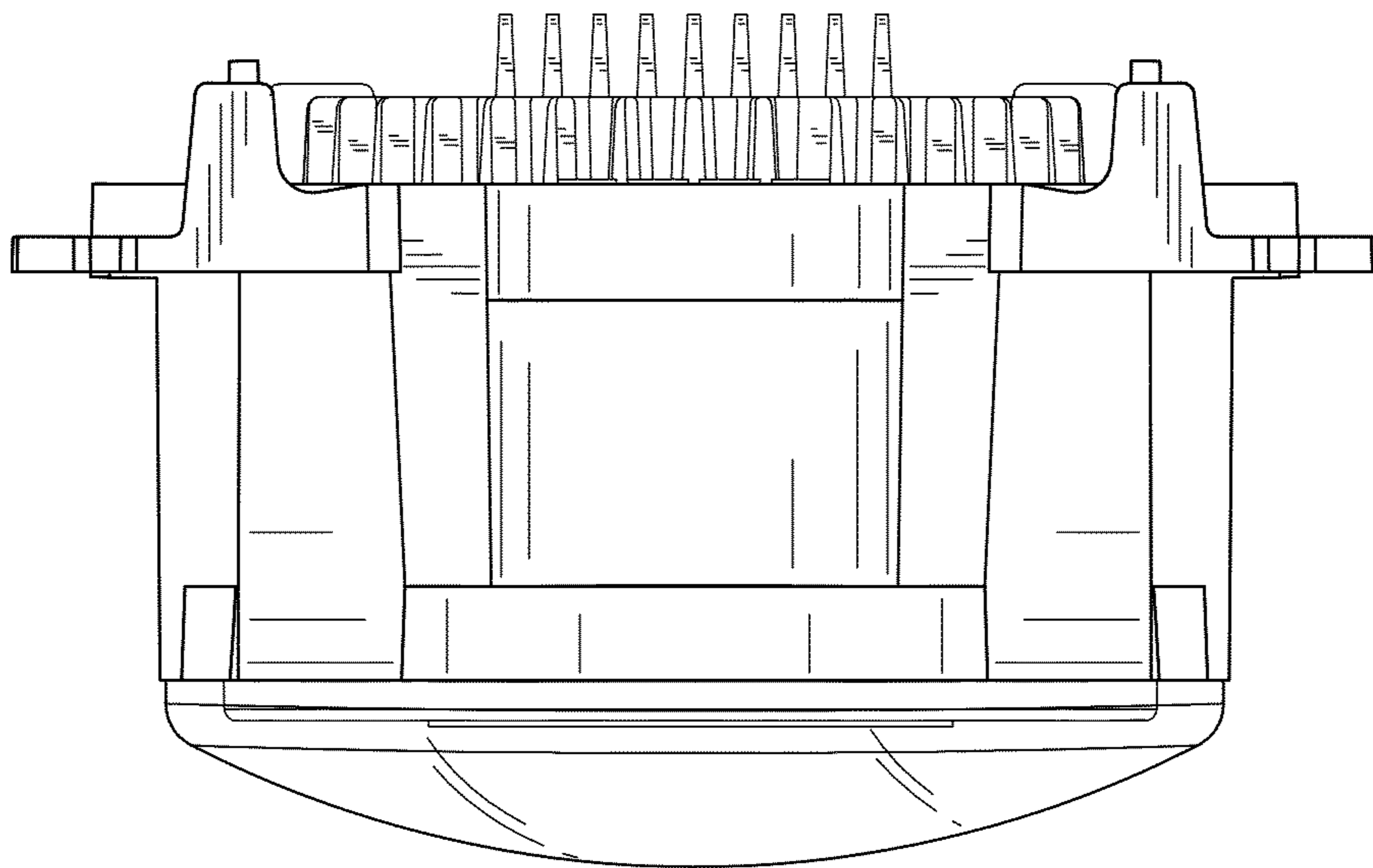


FIG. 7

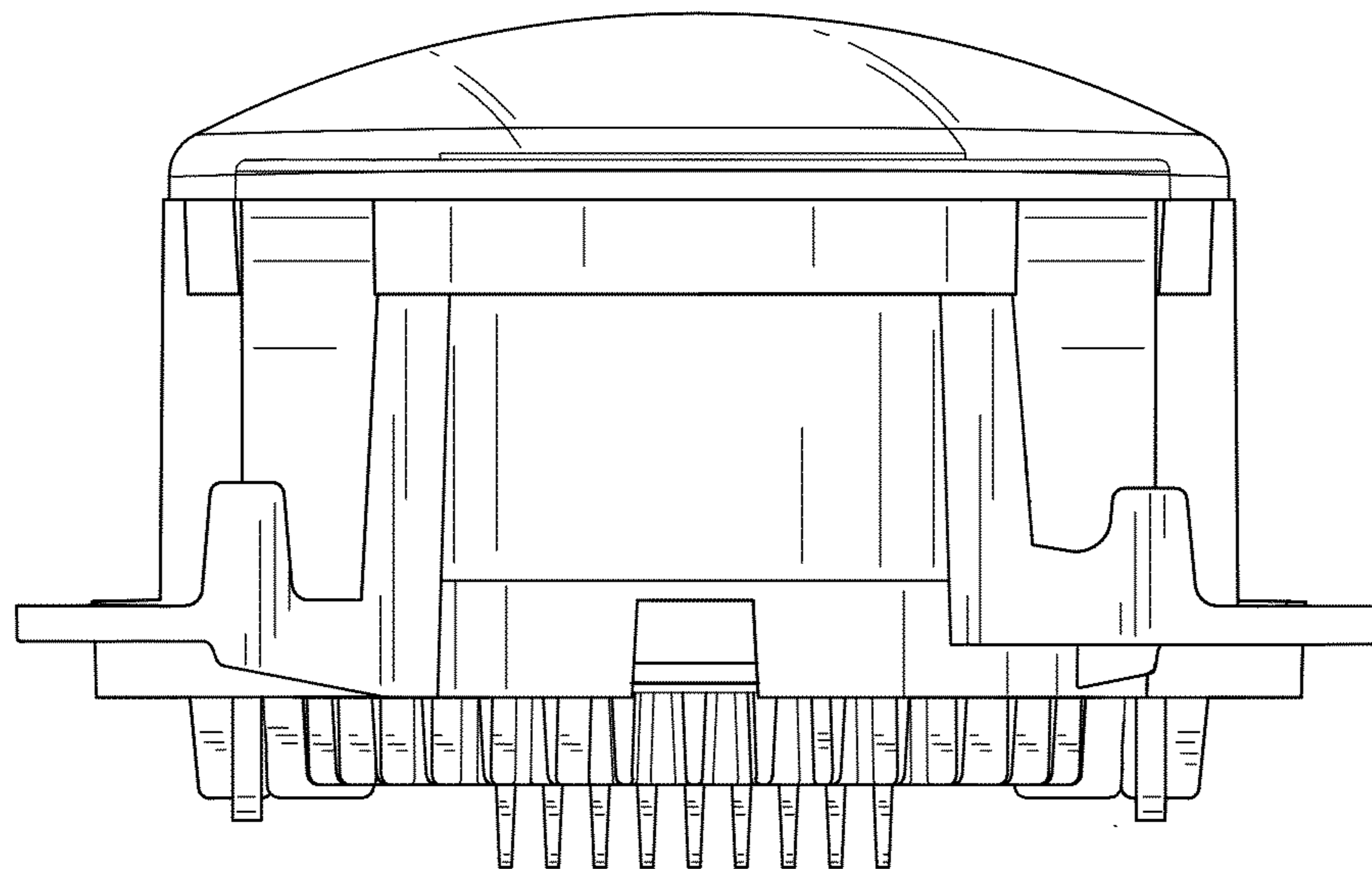


FIG. 8