



US00D711569S

(12) **United States Design Patent**
Wu

(10) **Patent No.:** **US D711,569 S**

(45) **Date of Patent:** **** Aug. 19, 2014**

(54) **VEHICLE LIGHT**

(71) Applicant: **Coplus Inc.**, Tainan (TW)

(72) Inventor: **Hua-Chi Wu**, Tainan (TW)

(73) Assignee: **Coplus Inc.**, Tainan (TW)

(**) Term: **14 Years**

(21) Appl. No.: **29/443,599**

(22) Filed: **Jan. 18, 2013**

(30) **Foreign Application Priority Data**

Nov. 1, 2012 (TW) 101306423

(51) **LOC (10) Cl.** **26-06**

(52) **U.S. Cl.**
USPC **D26/28**

(58) **Field of Classification Search**
USPC D26/28-36; 362/459-468, 475-478,
362/485-487

See application file for complete search history.

(56) **References Cited**

U.S. PATENT DOCUMENTS

D547,889 S *	7/2007	Huang	D26/28
D570,012 S *	5/2008	Huang	D26/28
D578,678 S *	10/2008	Huang	D26/28
D592,778 S *	5/2009	Chang	D26/28
D606,682 S *	12/2009	Chang	D26/28
D645,177 S *	9/2011	Okuda	D26/28
D662,632 S *	6/2012	Wilson	D26/28

* cited by examiner

Primary Examiner — Marcus Jackson

(74) *Attorney, Agent, or Firm* — Christie, Parker & Hale, LLP

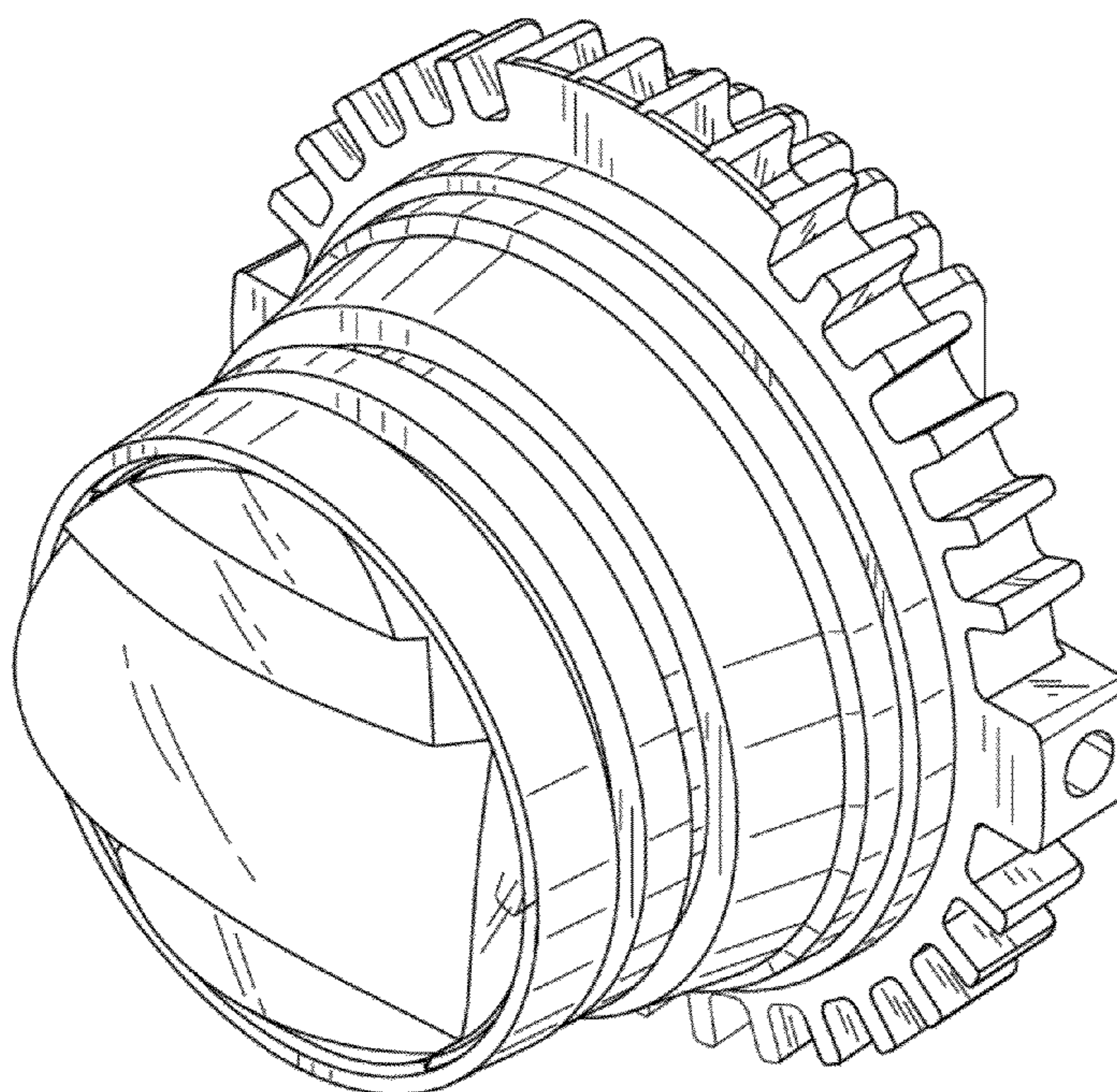
(57) **CLAIM**

The ornamental design for a vehicle light, as shown and described.

DESCRIPTION

FIG. 1 is a front perspective view of the vehicle light;
FIG. 2 is a rear perspective view thereof;
FIG. 3 is a front side view thereof;
FIG. 4 is a rear side view thereof;
FIG. 5 is a left side view thereof.
FIG. 6 is a right side view thereof;
FIG. 7 is a top side view thereof; and,
FIG. 8 is a bottom side view thereof.

1 Claim, 6 Drawing Sheets



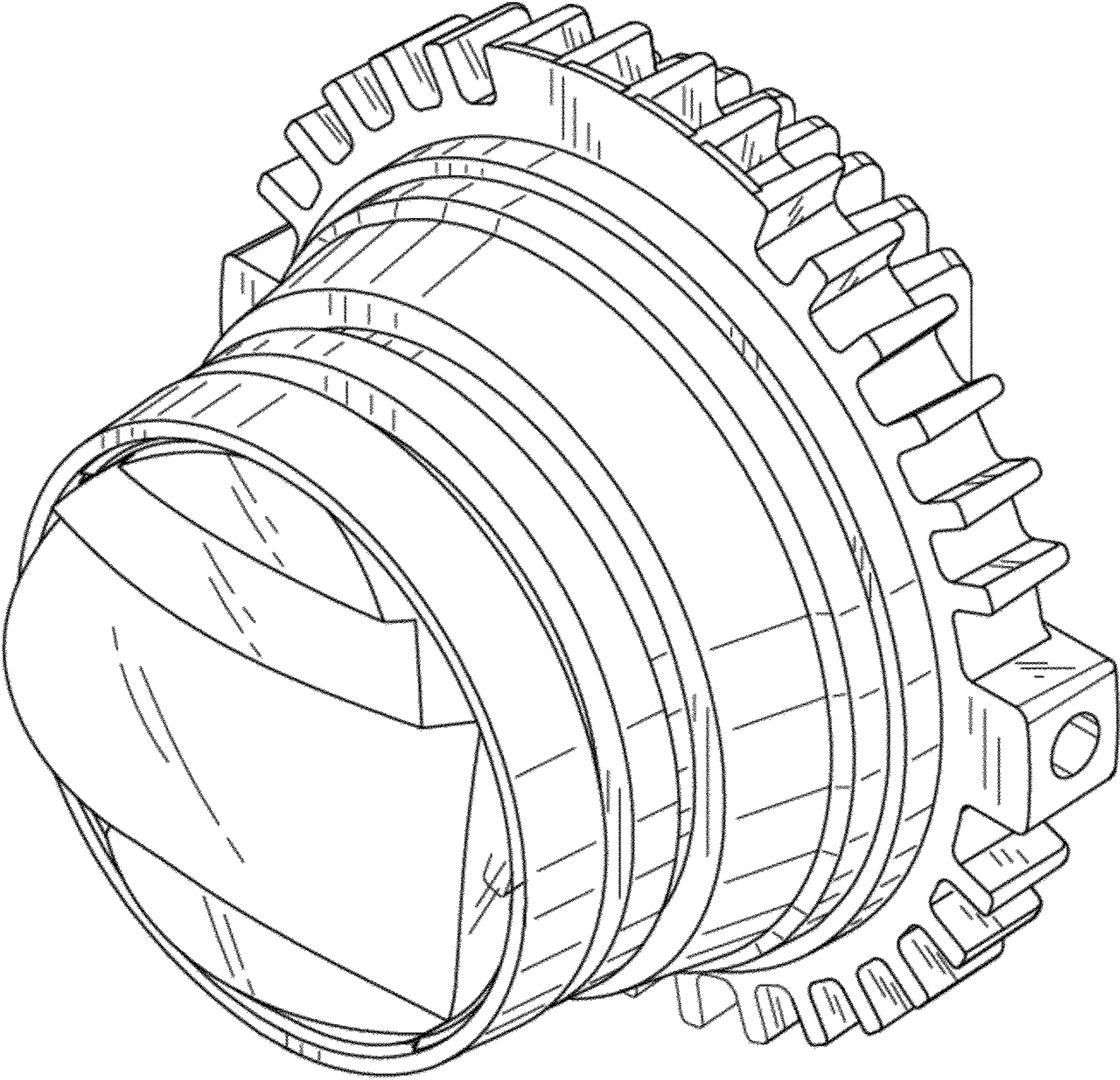


FIG. 1

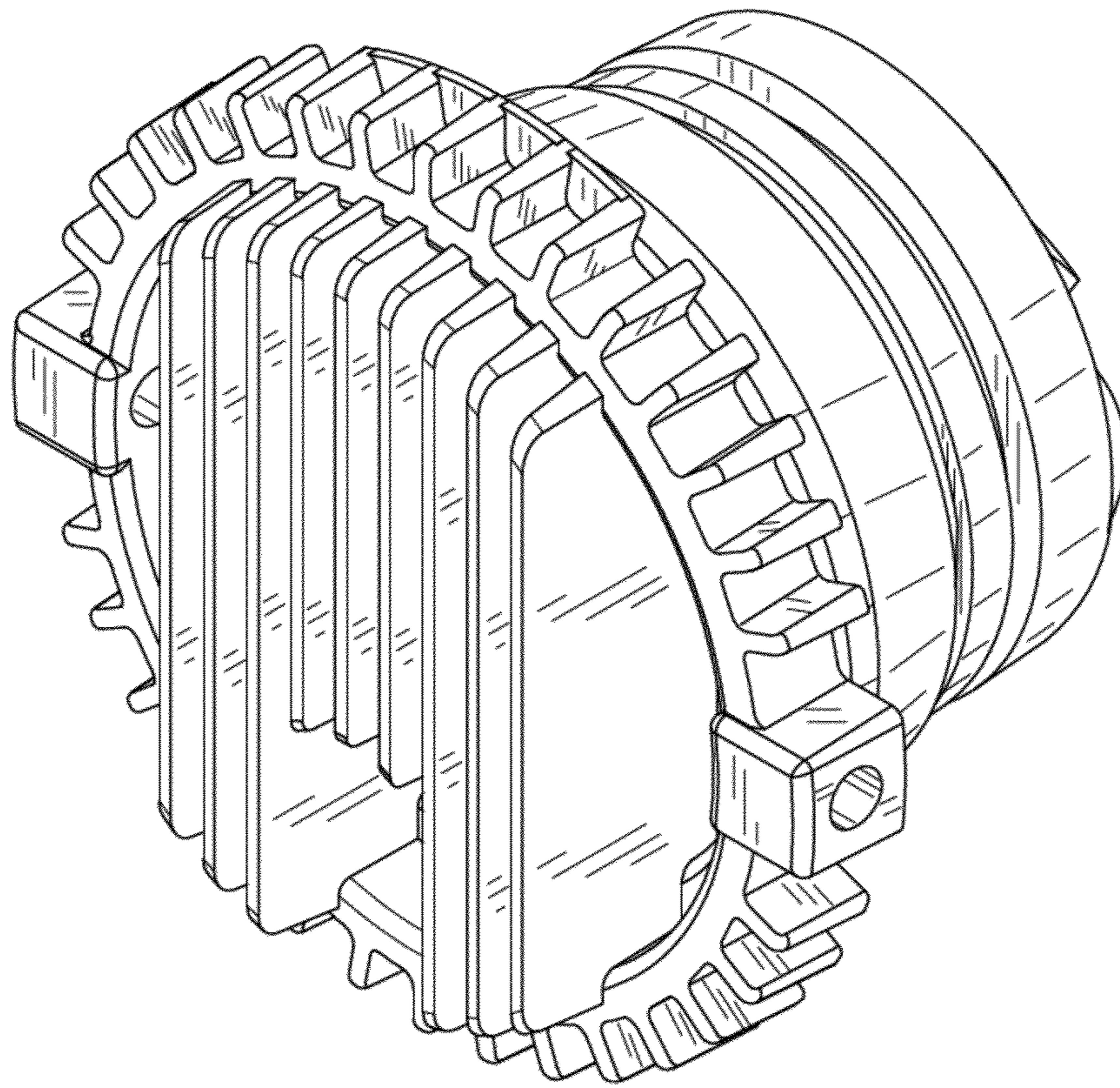


FIG. 2

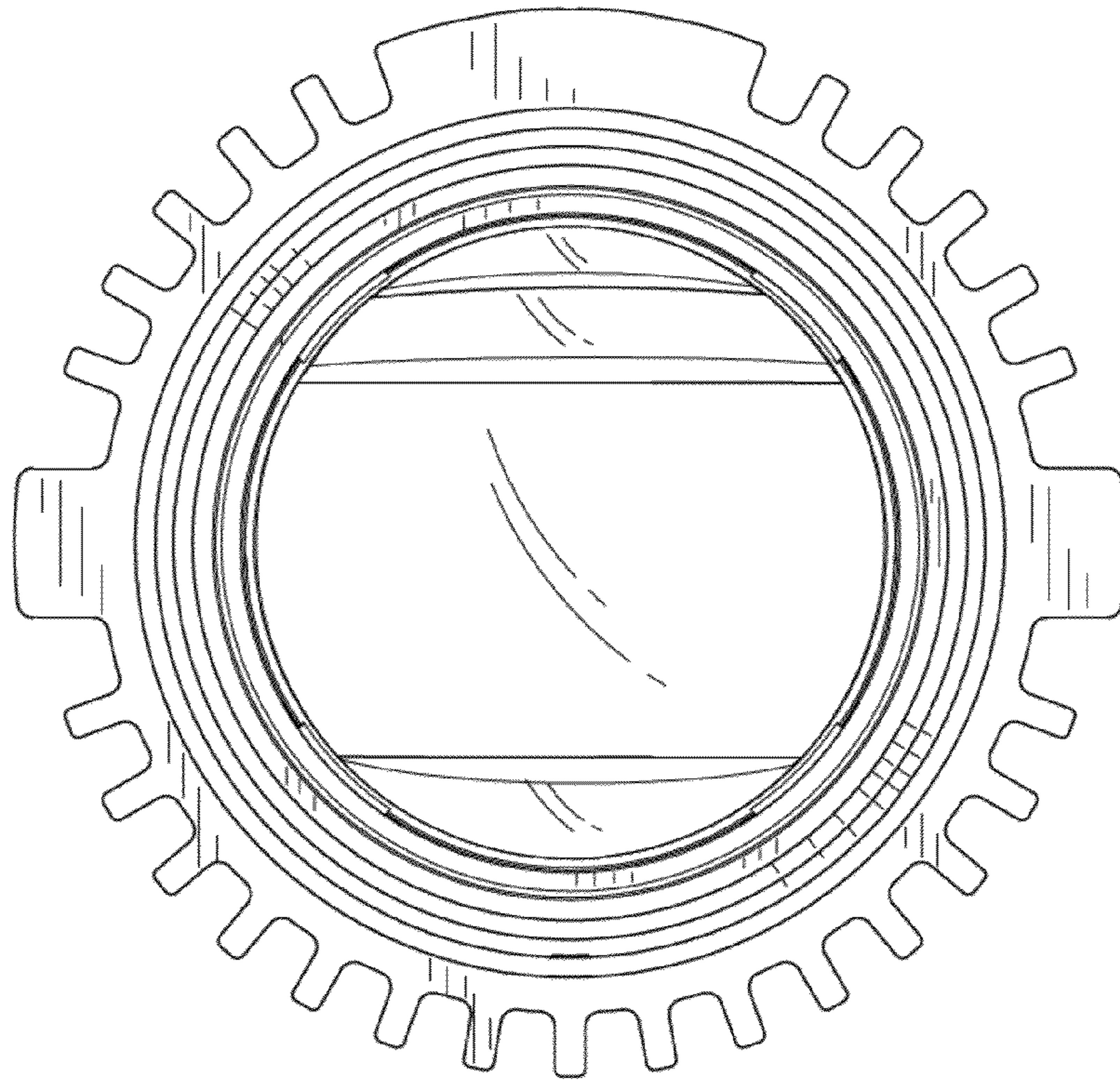


FIG. 3

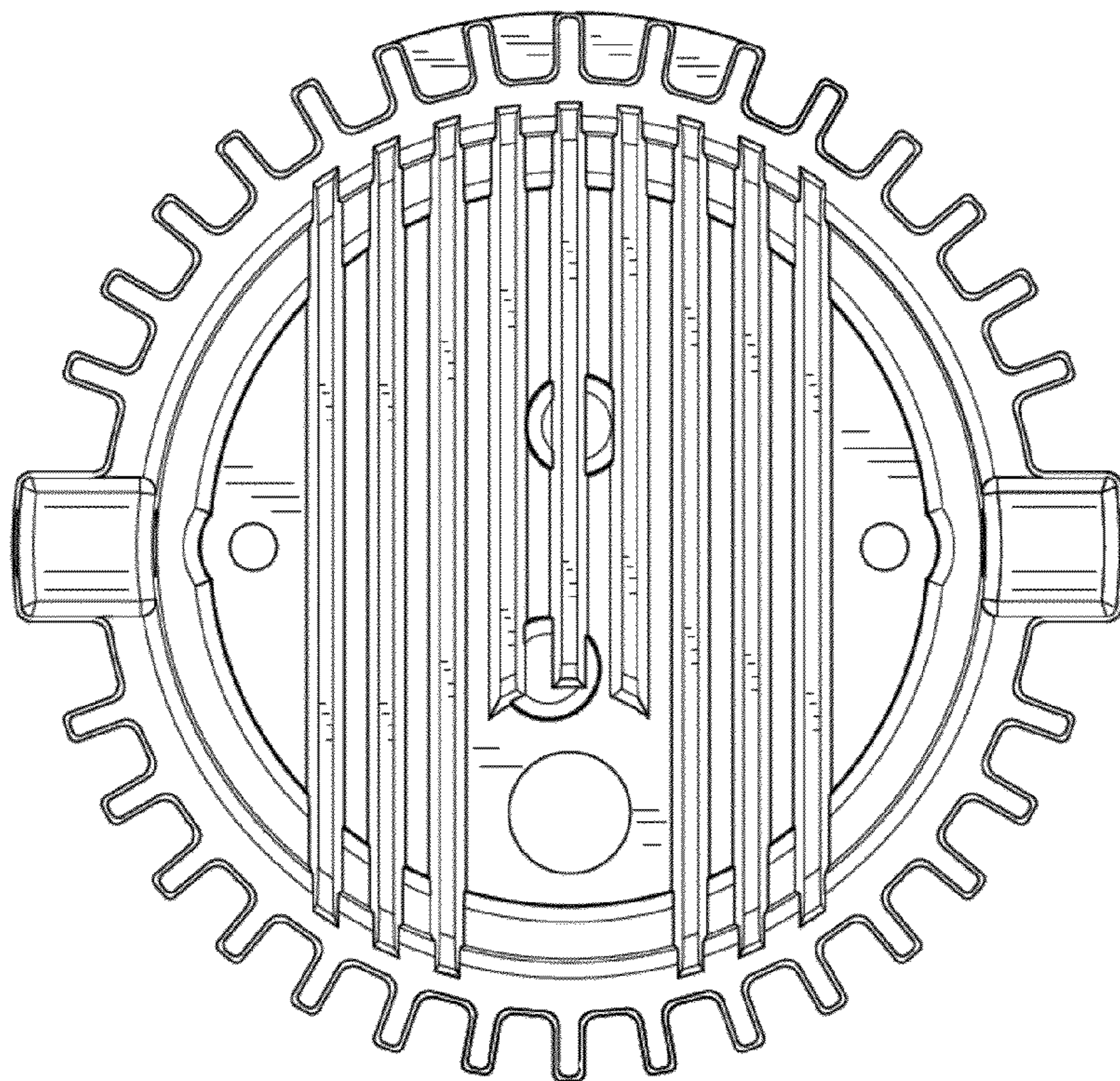


FIG. 4

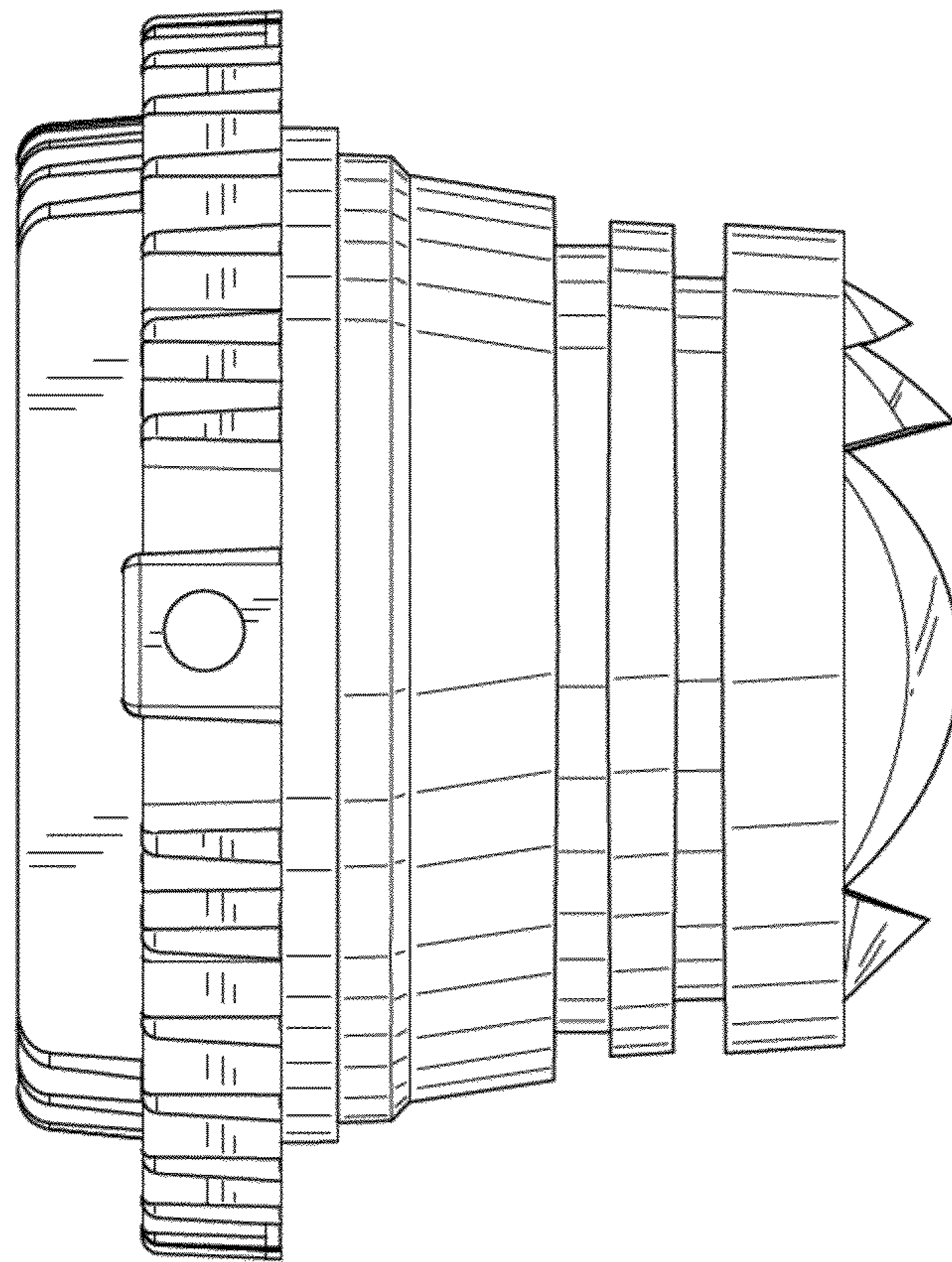


FIG. 5

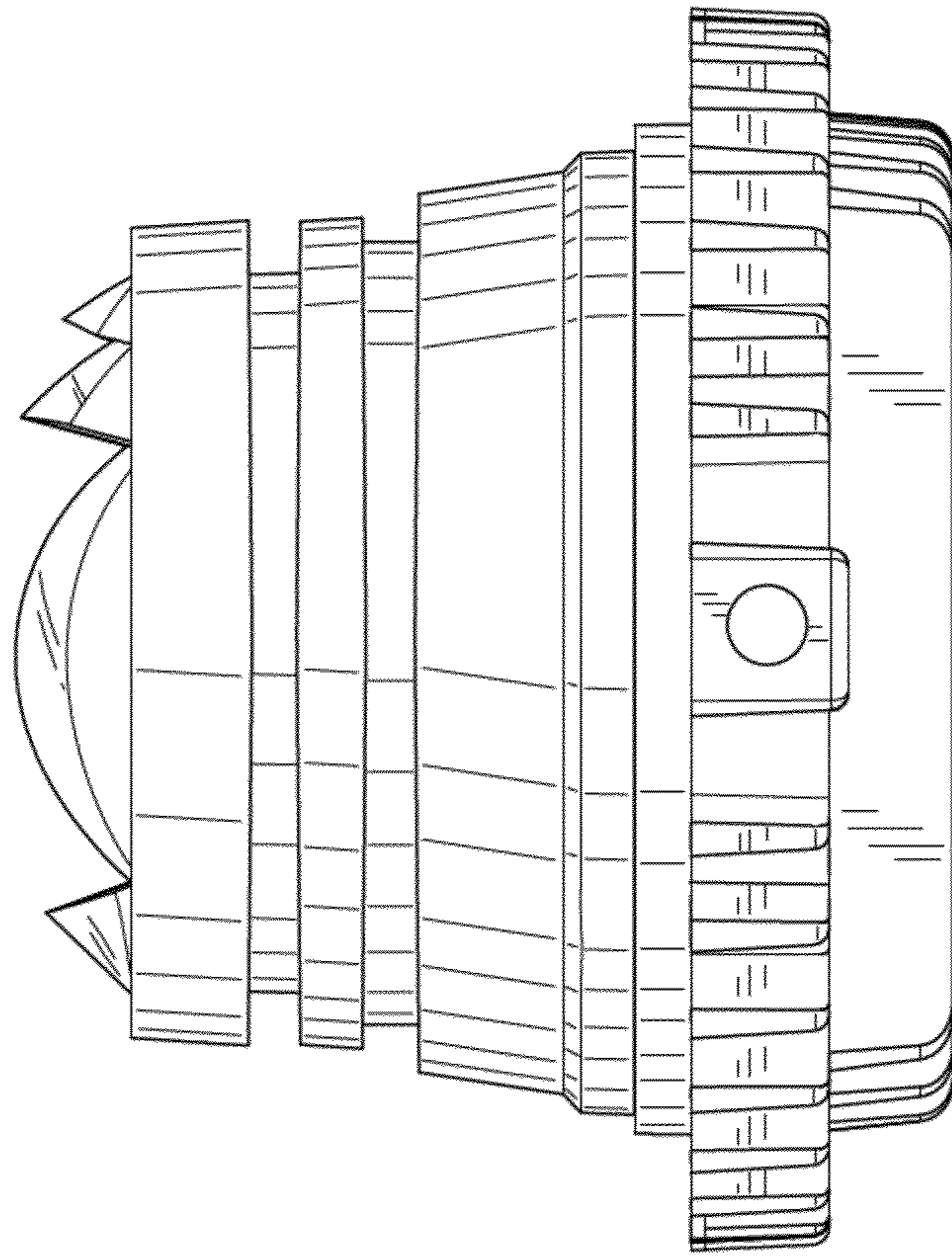


FIG. 6

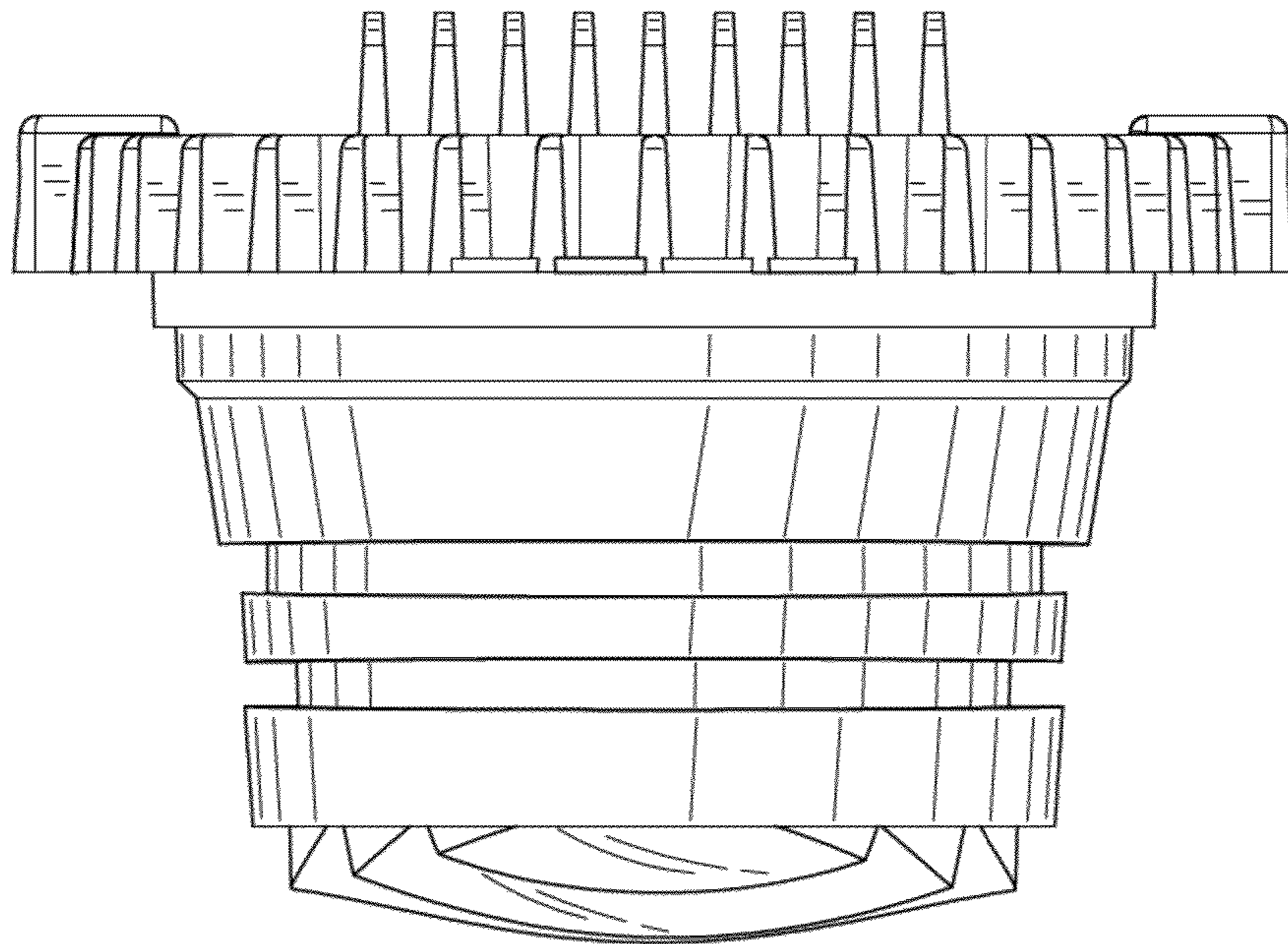


FIG. 7

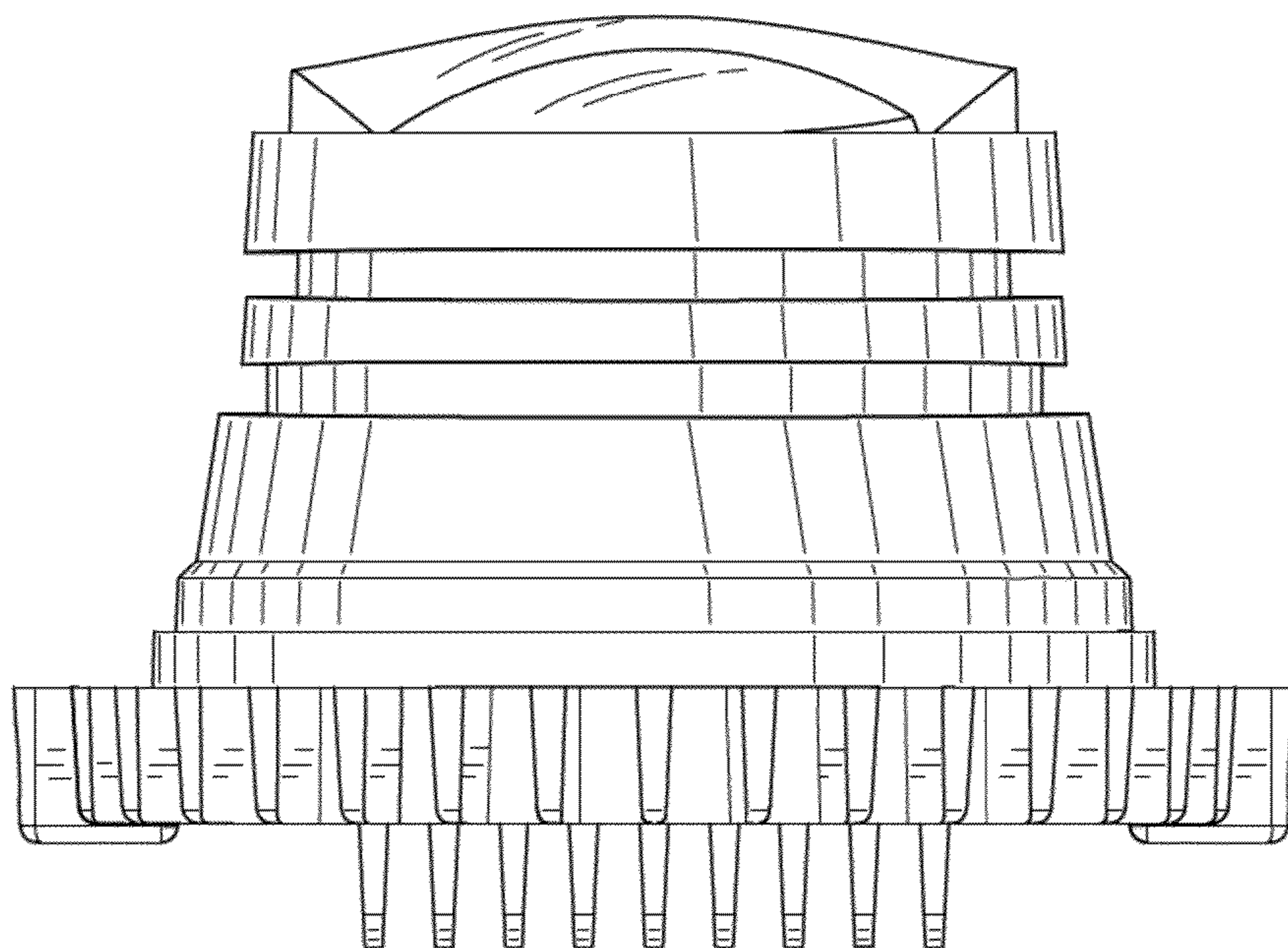


FIG. 8