



US00D711567S

(12) **United States Design Patent**  
**Wu**

(10) **Patent No.:** **US D711,567 S**

(45) **Date of Patent:** **\*\* Aug. 19, 2014**

(54) **VEHICLE TAILLIGHT HOUSING**

(71) Applicant: **Coplus Inc.**, Tainan (TW)

(72) Inventor: **Hua-Chi Wu**, Tainan (TW)

(73) Assignee: **Coplus, Inc.**, Tainan (TW)

(\*\*) Term: **14 Years**

(21) Appl. No.: **29/439,253**

(22) Filed: **Dec. 7, 2012**

(30) **Foreign Application Priority Data**

Sep. 7, 2012 (TW) ..... 101305277

(51) **LOC (10) Cl.** ..... **26-06**

(52) **U.S. Cl.**  
USPC ..... **D26/28**

(58) **Field of Classification Search**  
USPC ..... D26/28-36; 362/459-468, 475-478,  
362/485-487

See application file for complete search history.

(56) **References Cited**

**U.S. PATENT DOCUMENTS**

D542,445 S \* 5/2007 Matsunami ..... D26/28

D550,380 S \* 9/2007 Lin ..... D26/28  
D562,477 S \* 2/2008 Hsu ..... D26/28  
D570,015 S \* 5/2008 Hsu ..... D26/28  
D574,524 S \* 8/2008 Tomatsu ..... D26/28

\* cited by examiner

*Primary Examiner* — Marcus Jackson

(74) *Attorney, Agent, or Firm* — Christie, Parker & Hale, LLP

(57) **CLAIM**

The ornamental design for vehicle taillight housing, as shown and described.

**DESCRIPTION**

FIG. 1 is a front perspective view of the vehicle taillight housing;

FIG. 2 is a rear perspective view thereof;

FIG. 3 is a front view thereof;

FIG. 4 is a rear view thereof;

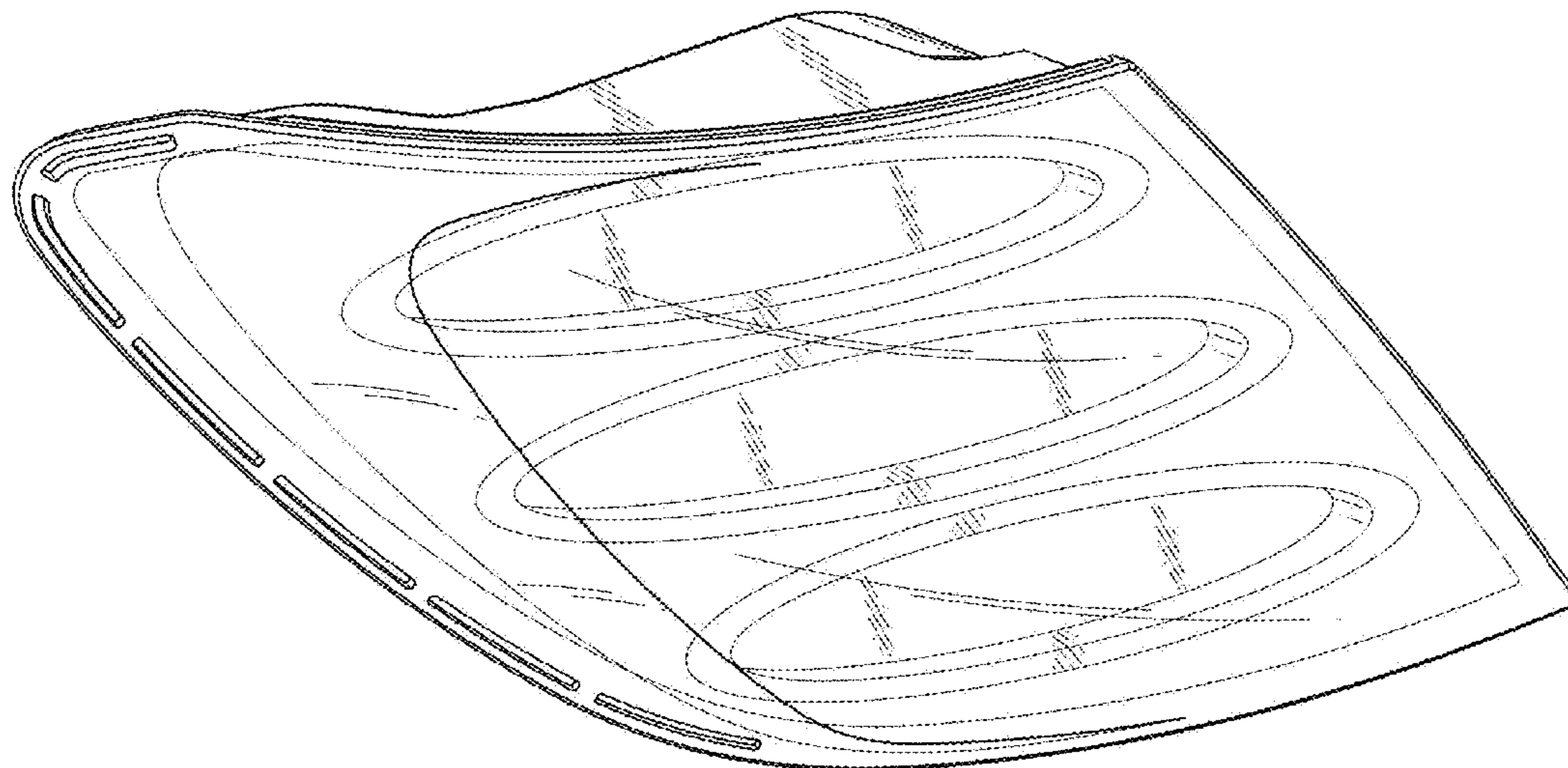
FIG. 5 is a left view thereof;

FIG. 6 is a right view thereof;

FIG. 7 is a top view thereof; and,

FIG. 8 is a bottom view thereof.

**1 Claim, 6 Drawing Sheets**



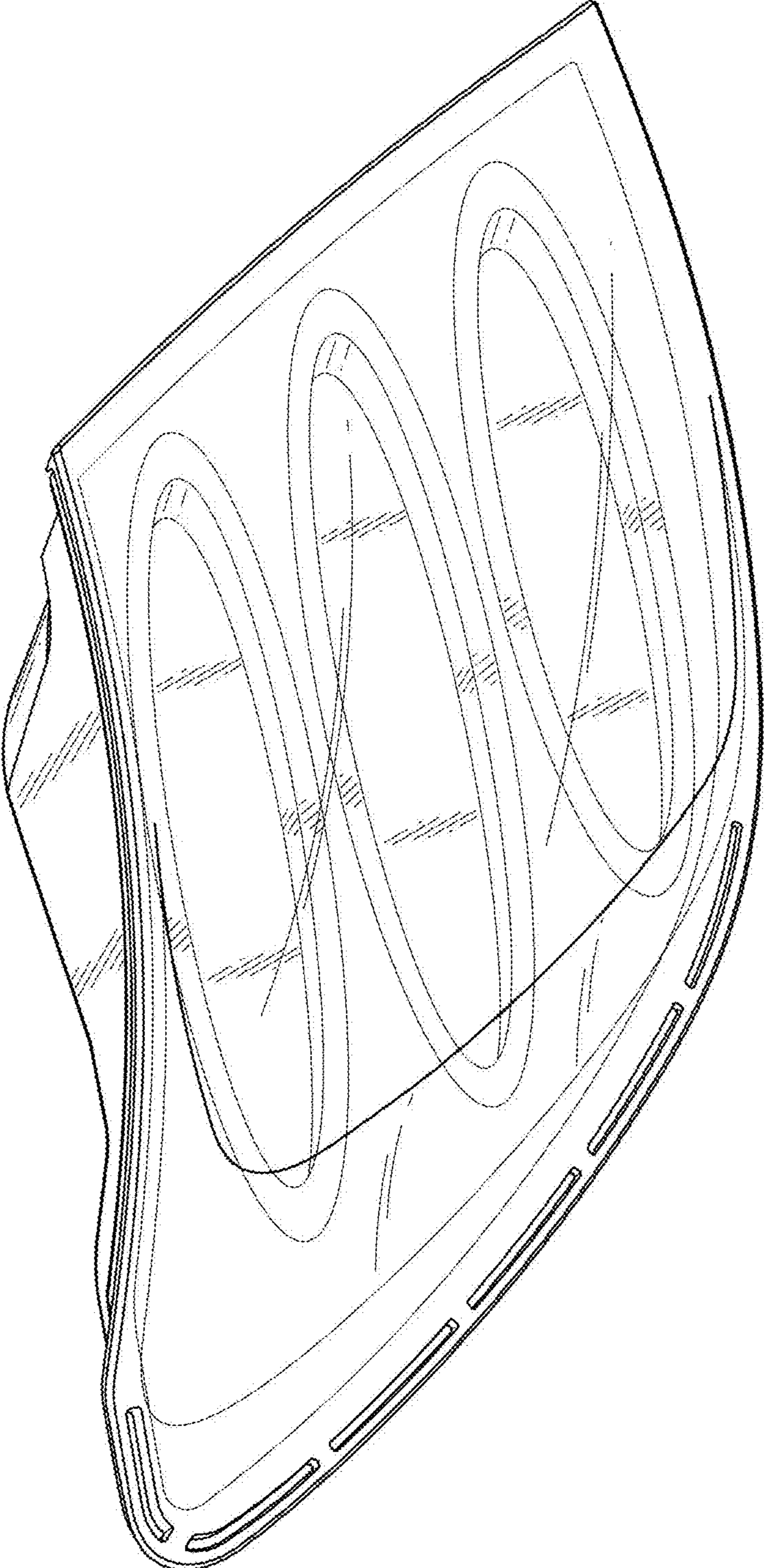


FIG. 1

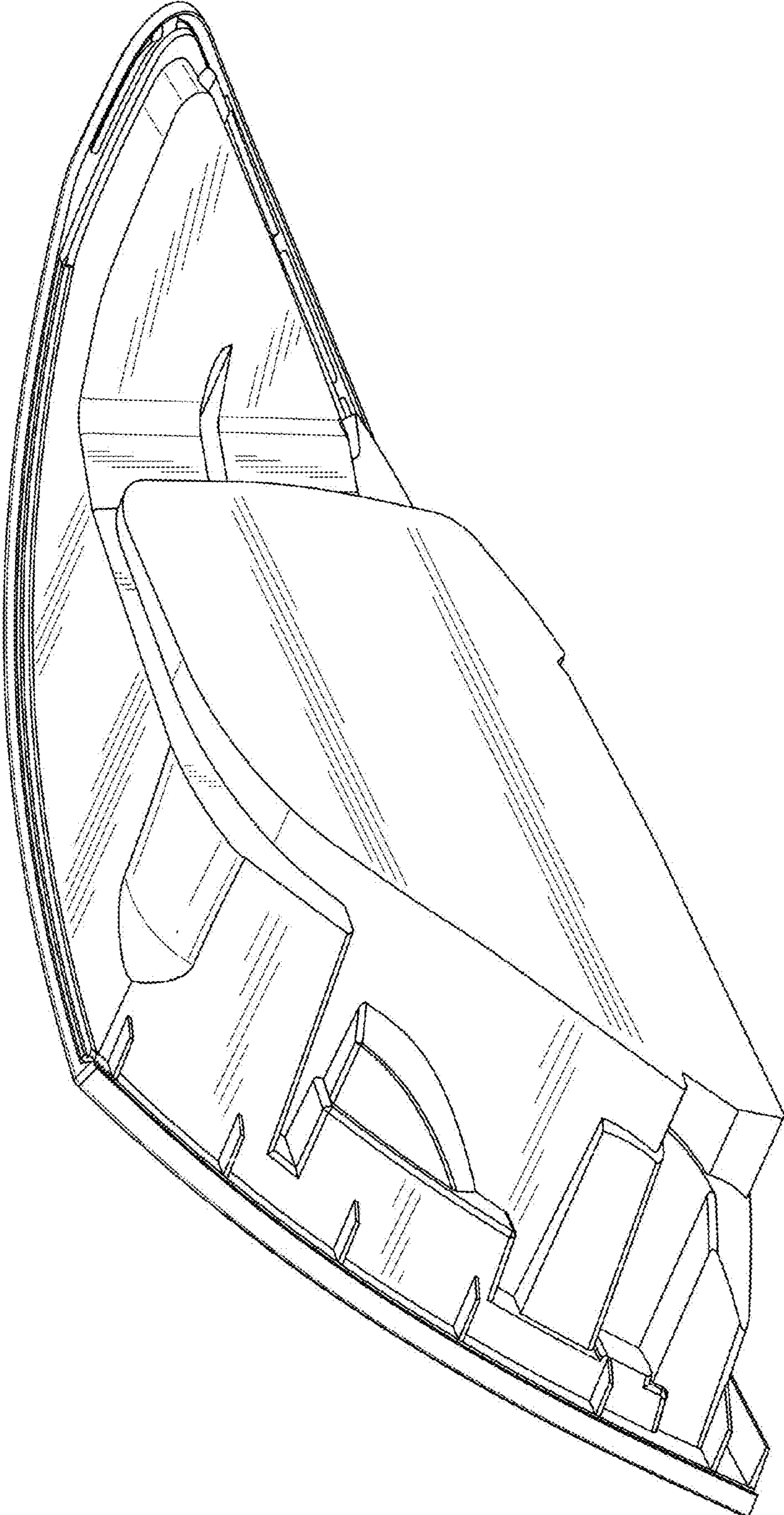


FIG. 2

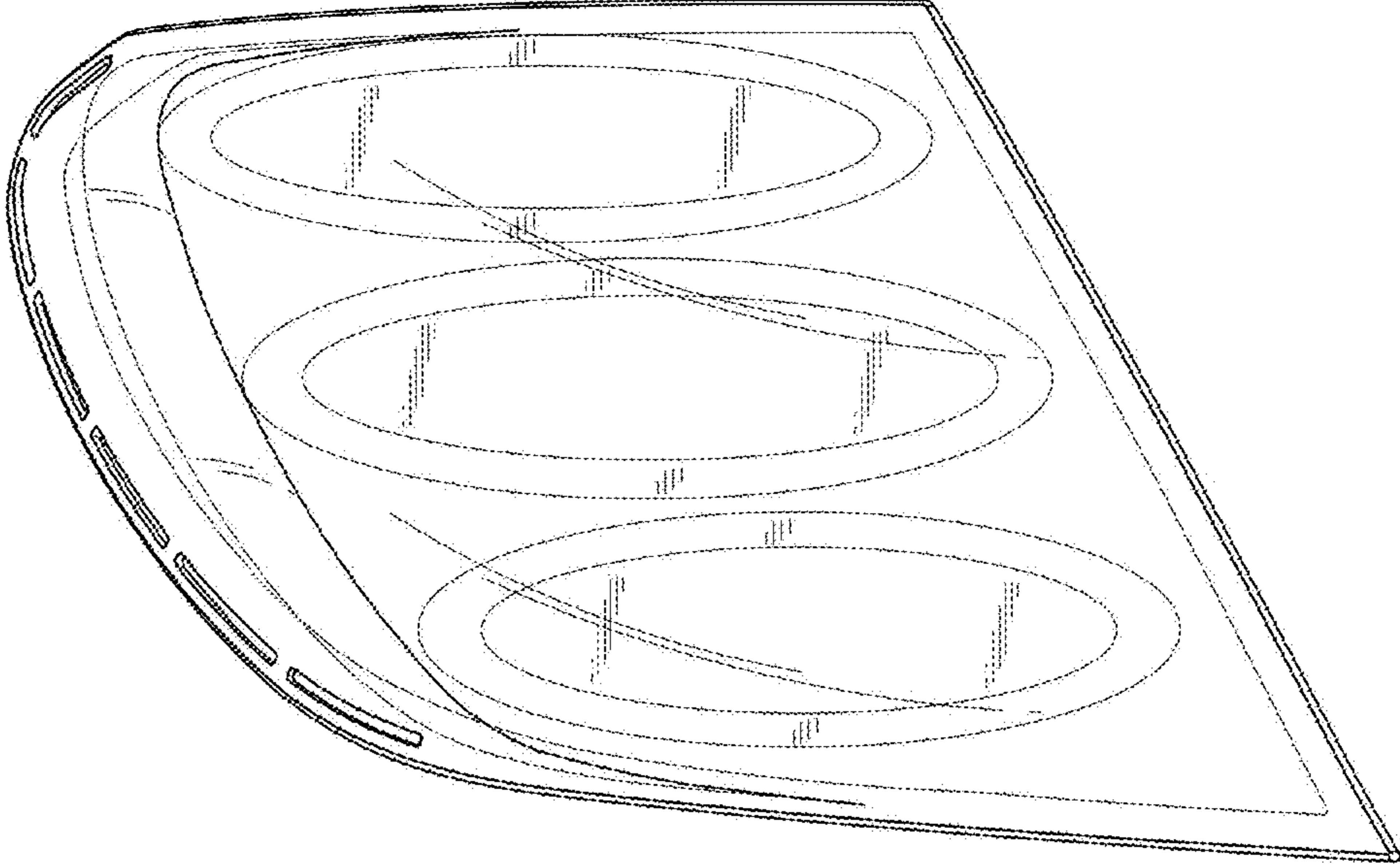


FIG. 3

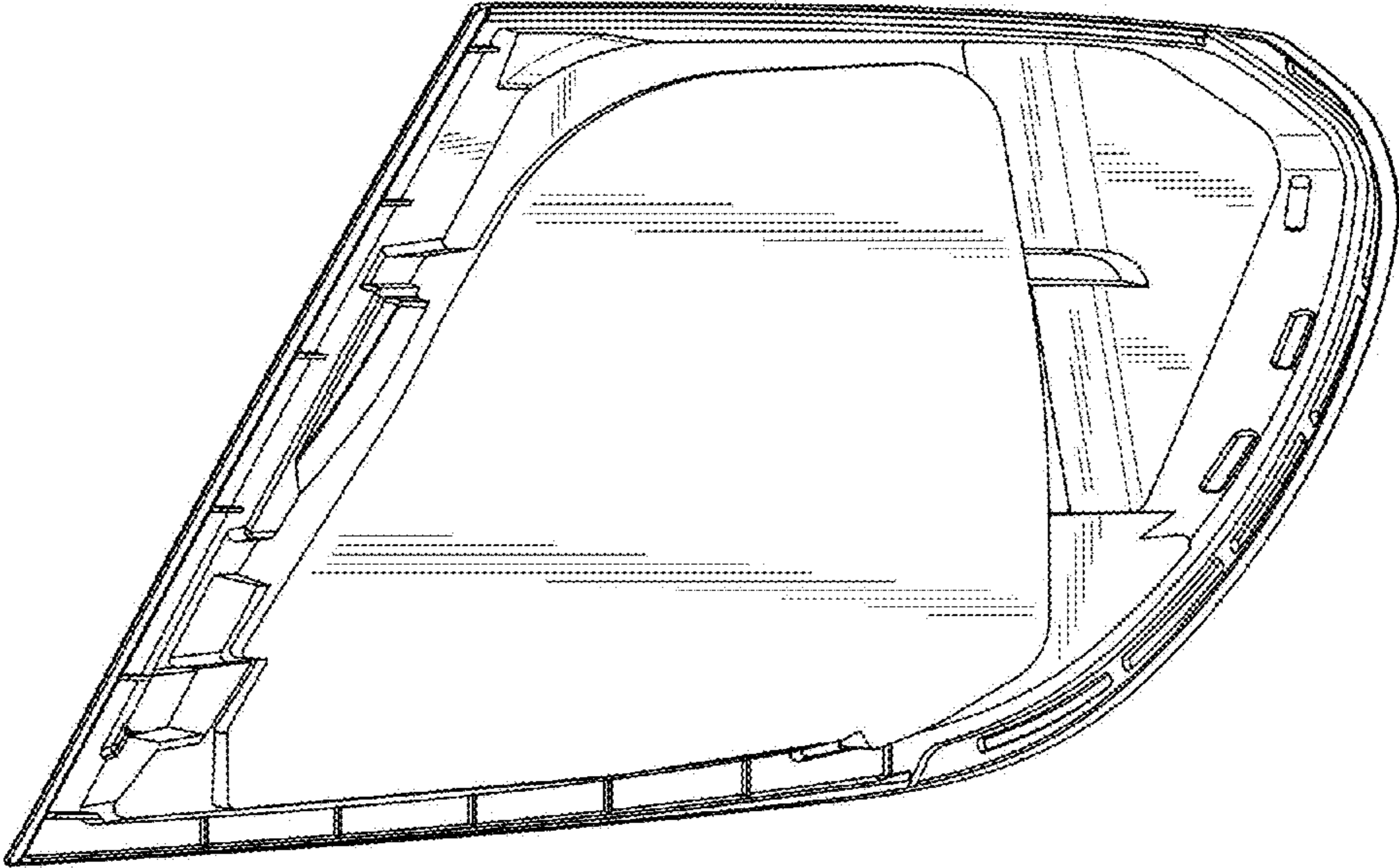


FIG. 4

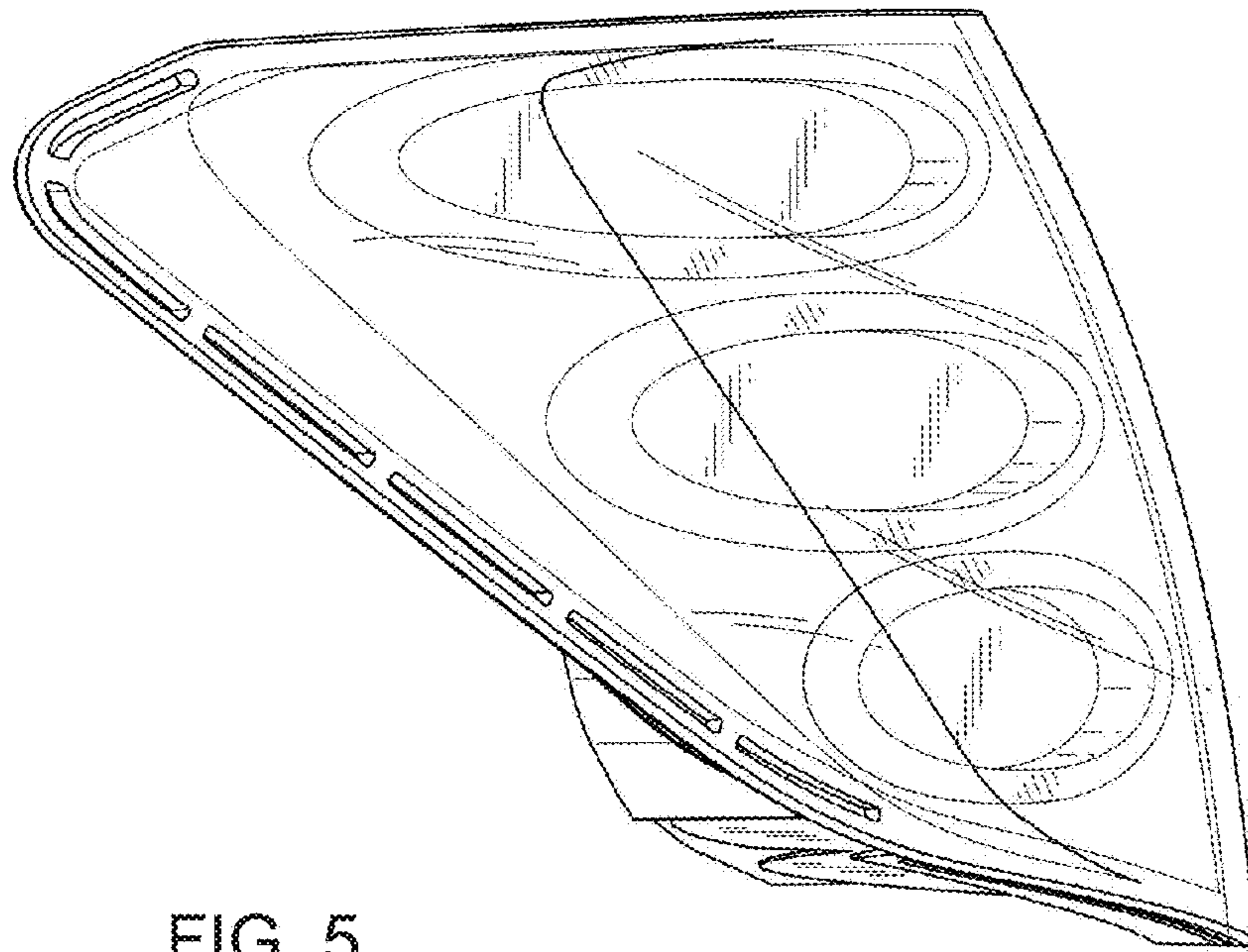


FIG. 5

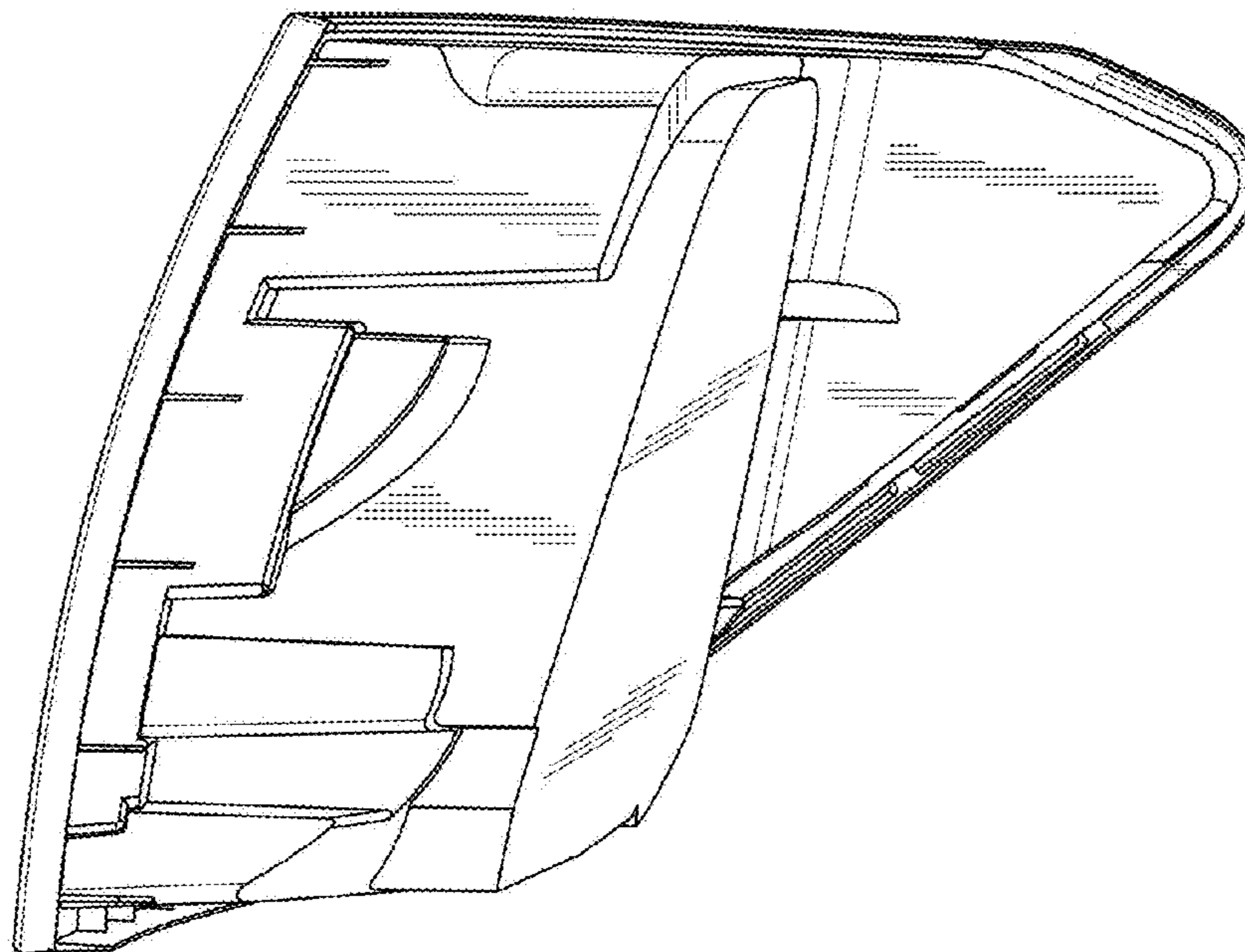


FIG. 6

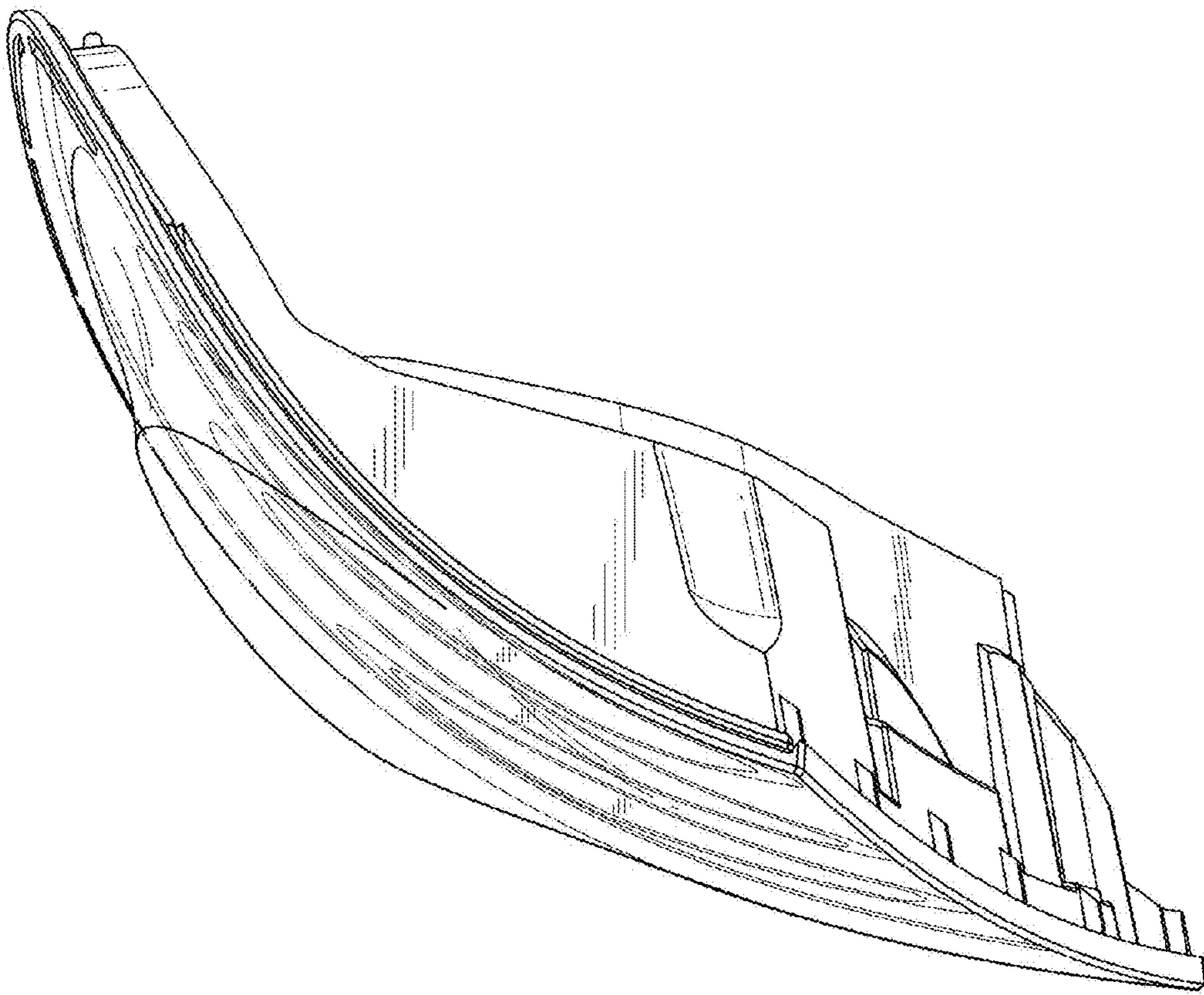


FIG. 7

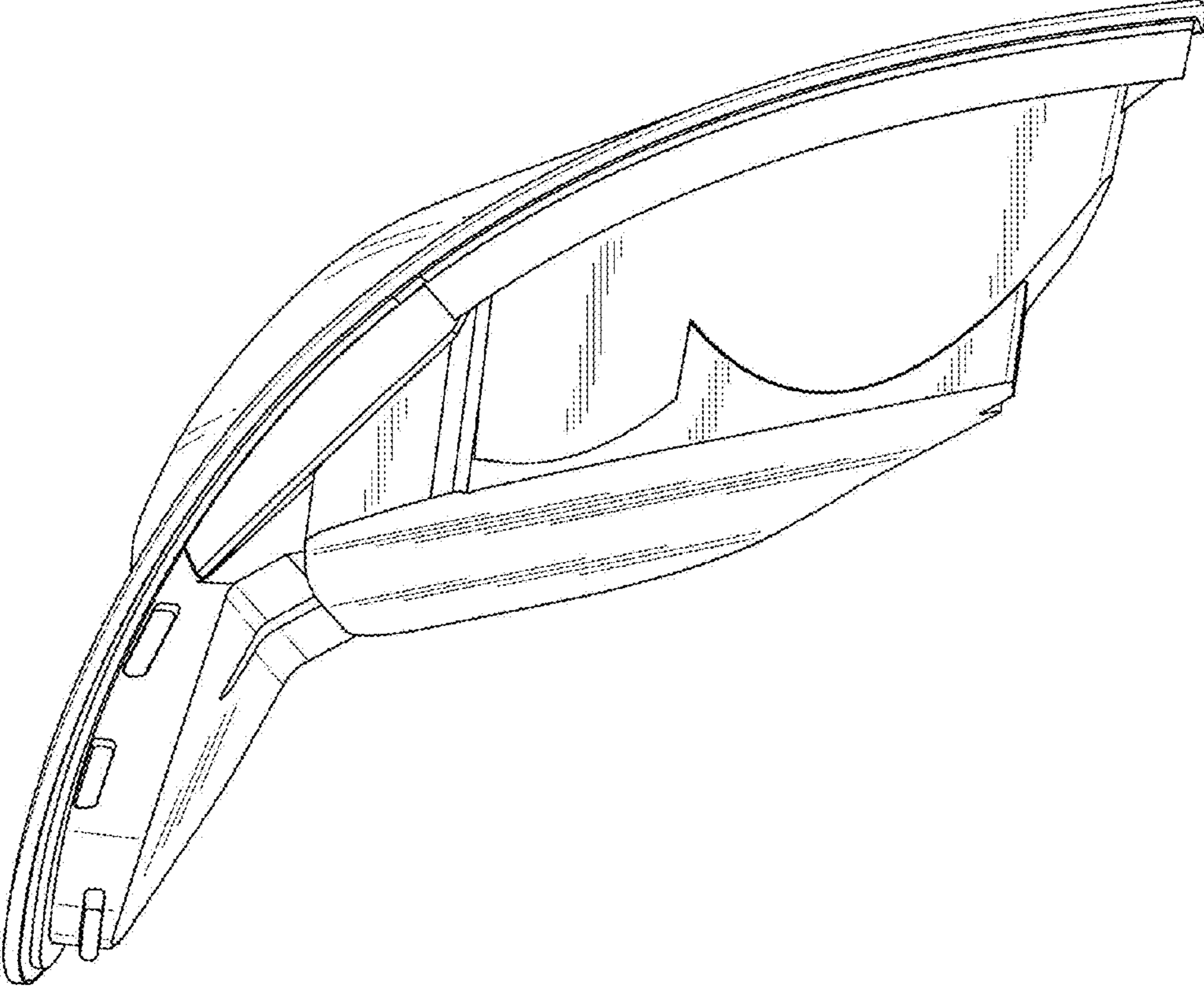


FIG. 8