



US00D711566S

(12) **United States Design Patent**  
**Wu**

(10) **Patent No.:** **US D711,566 S**

(45) **Date of Patent:** **\*\* Aug. 19, 2014**

(54) **VEHICLE TAILLIGHT HOUSING**

(71) Applicant: **Coplus Inc.**, Tainan (TW)

(72) Inventor: **Hua-Chi Wu**, Tainan (TW)

(73) Assignee: **Coplus, Inc.**, Tainan (TW)

(\*\*) Term: **14 Years**

(21) Appl. No.: **29/439,248**

(22) Filed: **Dec. 7, 2012**

(51) **LOC (10) Cl.** ..... **26-06**

(52) **U.S. Cl.**  
USPC ..... **D26/28**

(58) **Field of Classification Search**  
USPC ..... D26/28-36; 362/459-468, 475-478,  
362/485-487

See application file for complete search history.

(56) **References Cited**

**U.S. PATENT DOCUMENTS**

D541,445 S \* 4/2007 Lin ..... D26/28  
D549,363 S \* 8/2007 Pfeiffer ..... D26/28

D552,769 S \* 10/2007 Leclercq ..... D26/28  
D553,268 S \* 10/2007 Pfeiffer ..... D26/28  
D565,211 S \* 3/2008 Haller et al. .... D26/28  
D670,837 S \* 11/2012 Binder et al. .... D26/28

\* cited by examiner

*Primary Examiner* — Marcus Jackson

(74) *Attorney, Agent, or Firm* — Christie, Parker & Hale, LLP

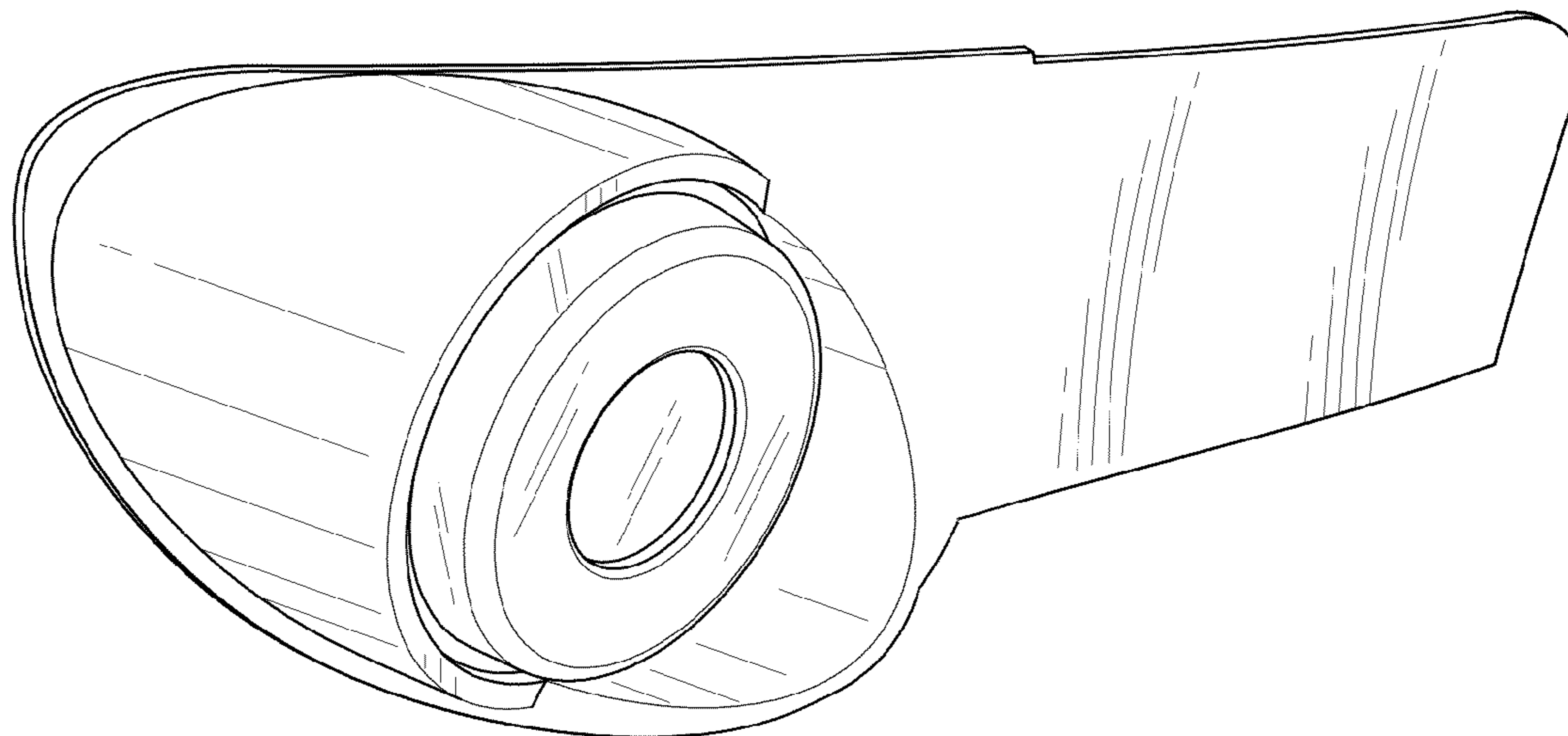
(57) **CLAIM**

The ornamental design for vehicle taillight housing, as shown and described.

**DESCRIPTION**

FIG. 1 is a front perspective view of the vehicle taillight housing;  
FIG. 2 is a rear perspective view thereof;  
FIG. 3 is a front view thereof;  
FIG. 4 is a rear view thereof;  
FIG. 5 is a left view thereof;  
FIG. 6 is a right view thereof;  
FIG. 7 is a top view thereof; and,  
FIG. 8 is a bottom view thereof.

**1 Claim, 5 Drawing Sheets**



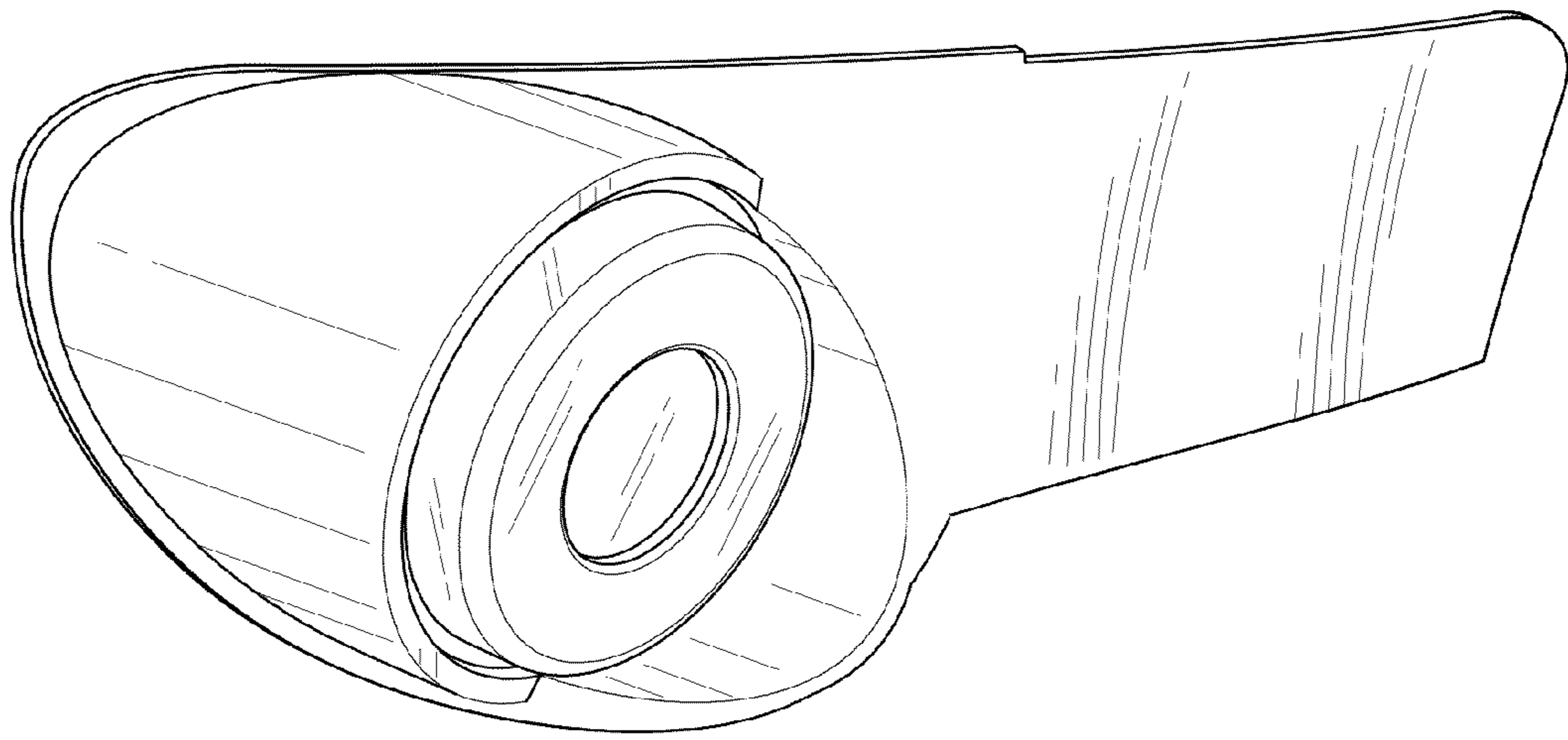


FIG. 1

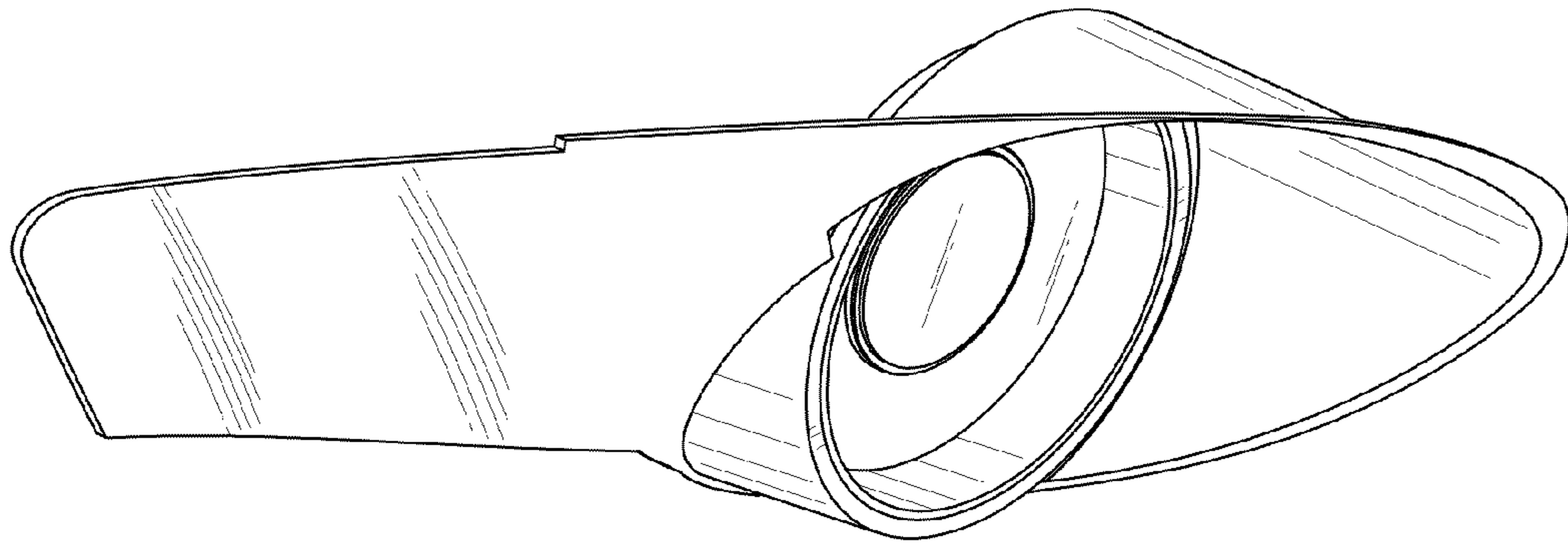


FIG. 2

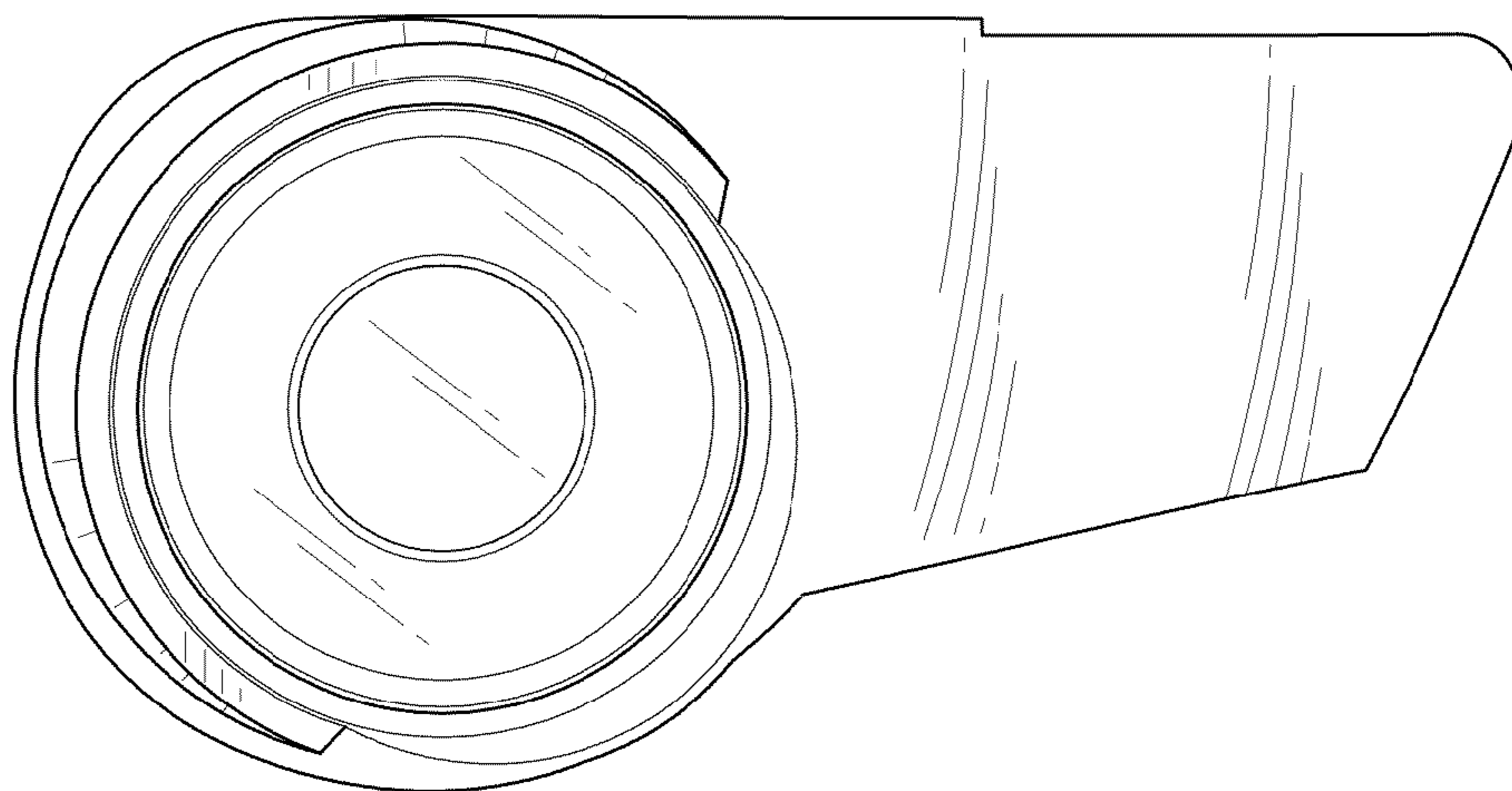


FIG. 3

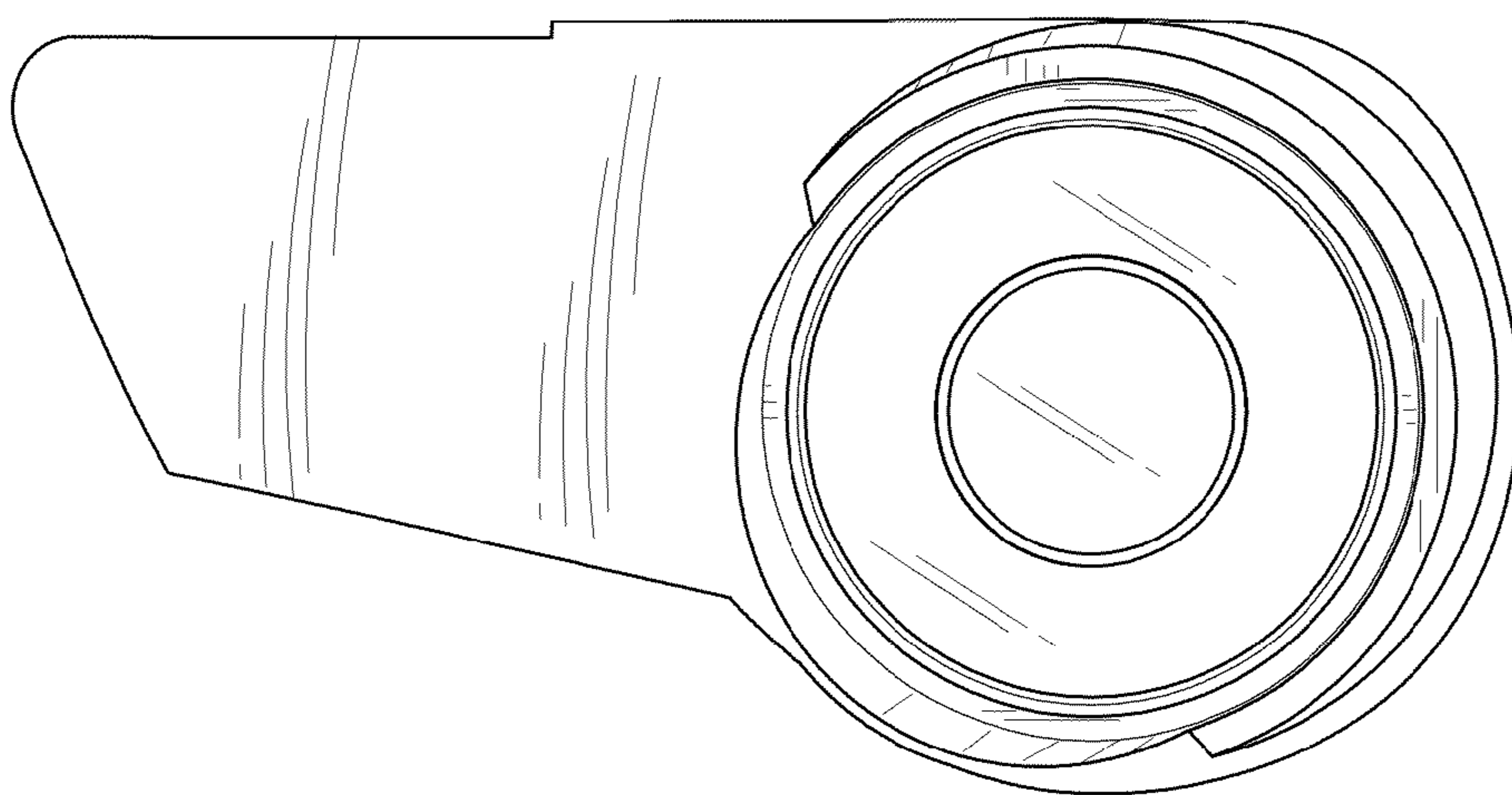


FIG. 4

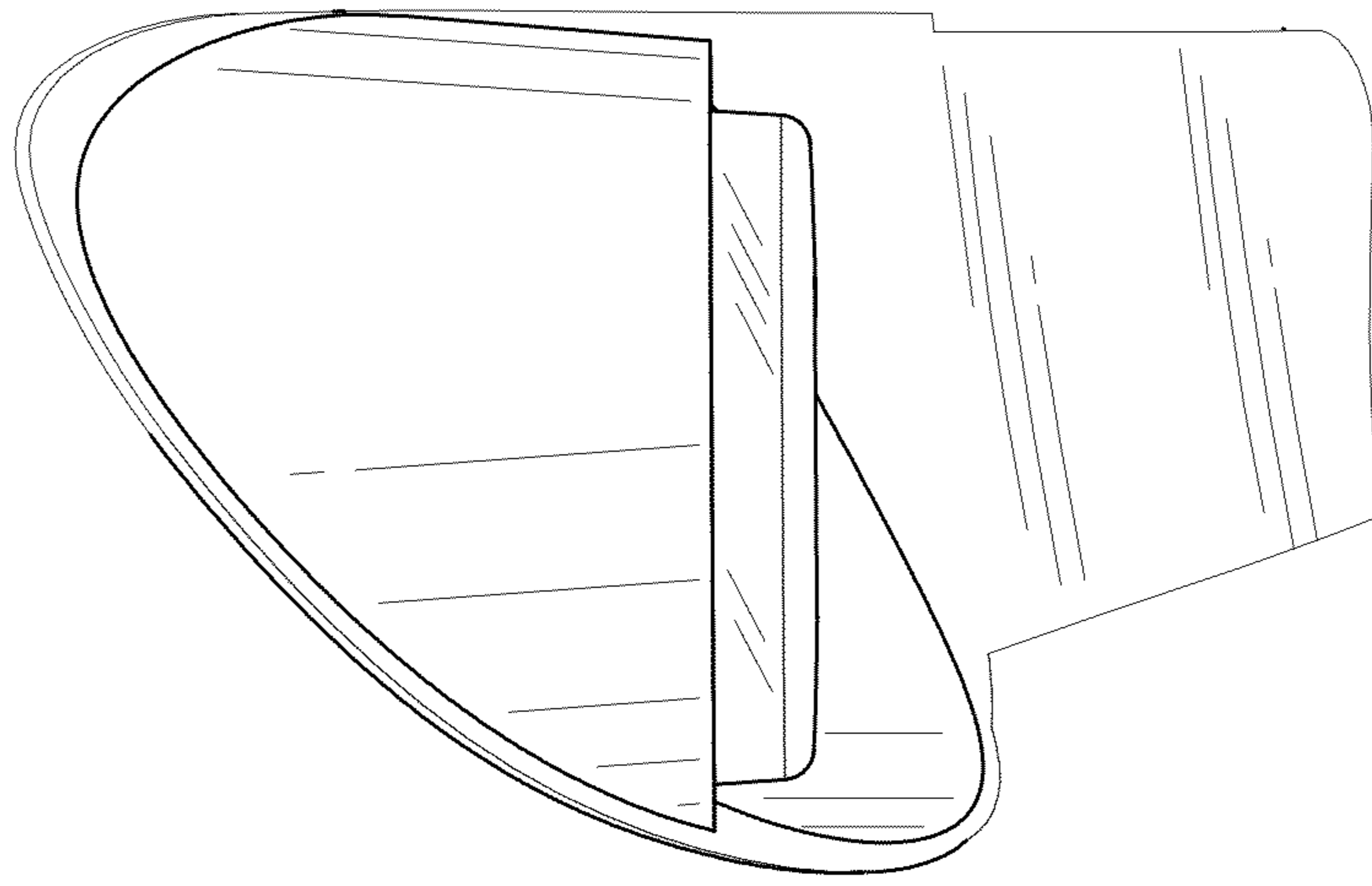


FIG. 5

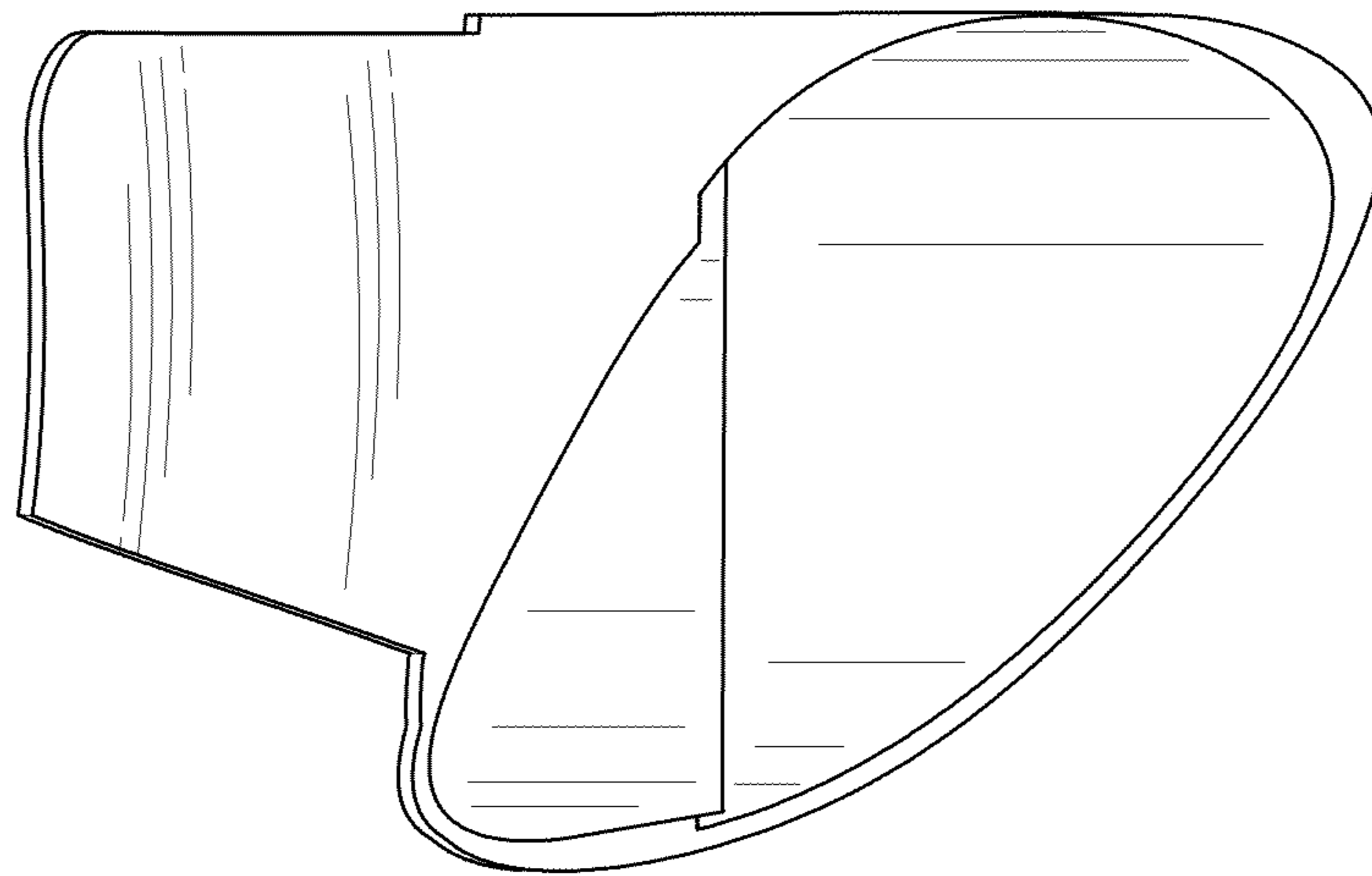


FIG. 6

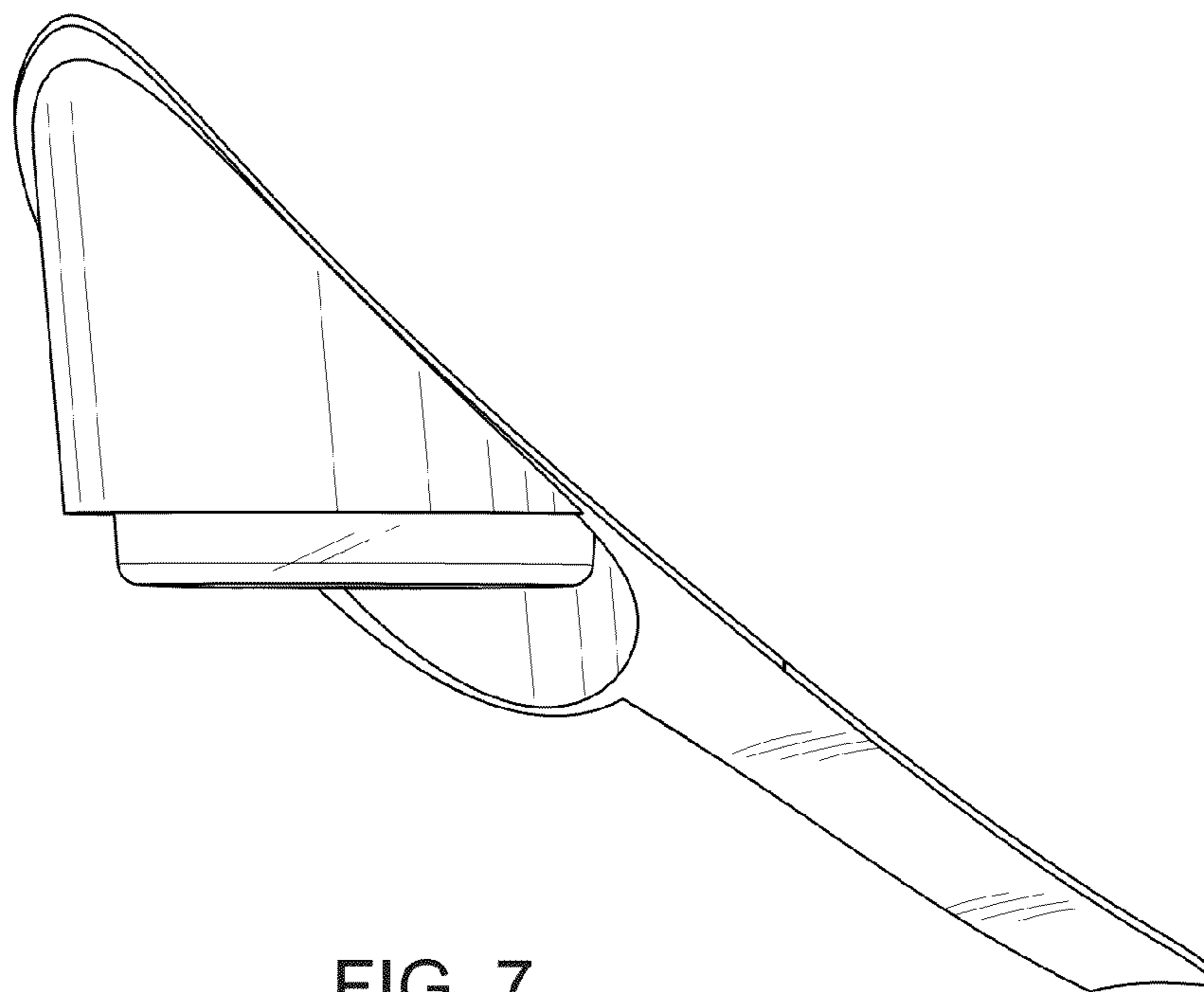


FIG. 7

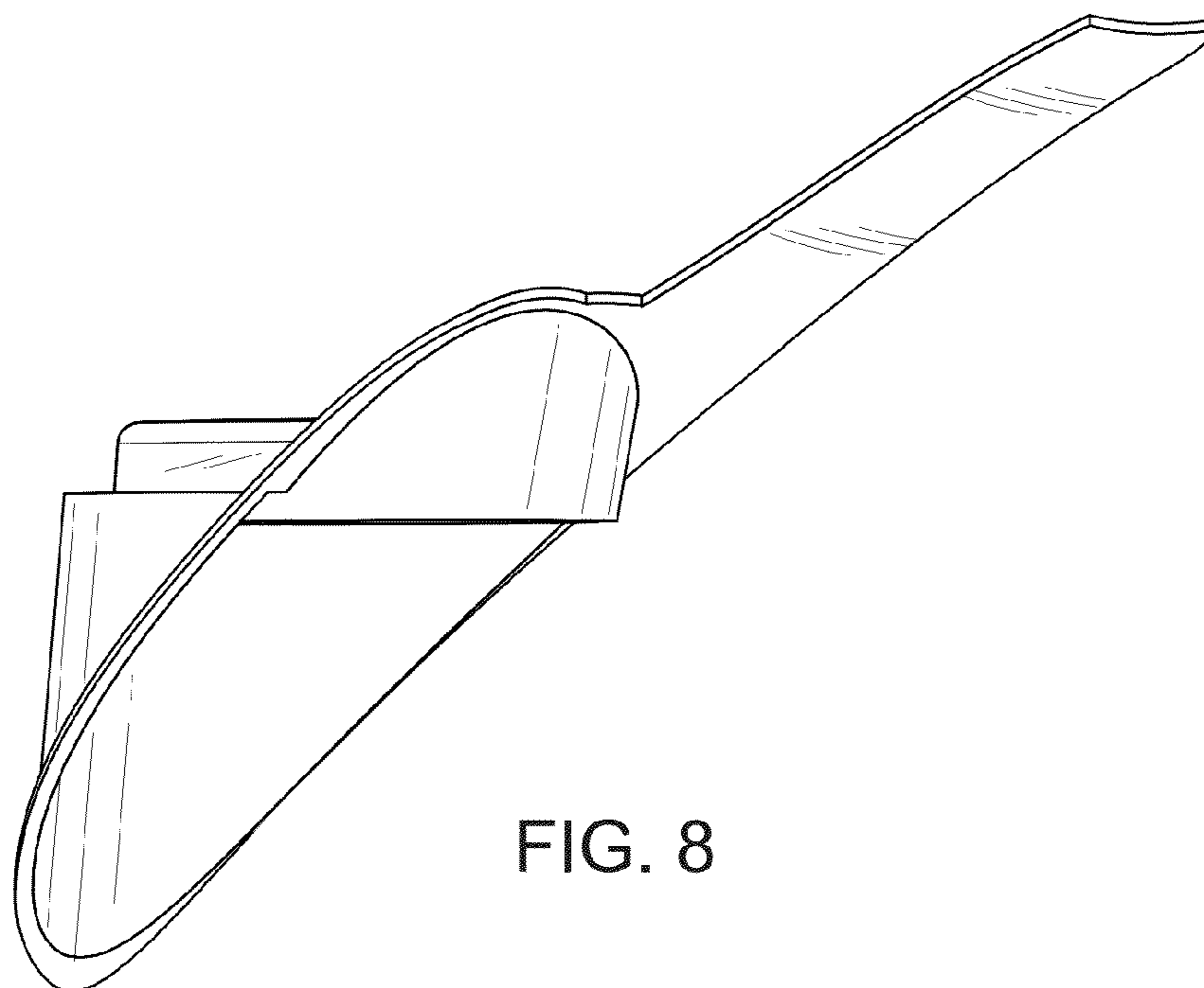


FIG. 8