



US00D711565S

(12) **United States Design Patent**  
**Tsai et al.**

(10) **Patent No.:** **US D711,565 S**

(45) **Date of Patent:** **\*\* Aug. 19, 2014**

(54) **VEHICLE LAMP**

(56) **References Cited**

(71) Applicants: **Hsi-Hsien Tsai**, Tainan (TW);  
**Chao-Ming Chang**, Tainan (TW)

U.S. PATENT DOCUMENTS

(72) Inventors: **Hsi-Hsien Tsai**, Tainan (TW);  
**Chao-Ming Chang**, Tainan (TW)

D578,677 S \* 10/2008 Huang ..... D26/28  
D578,678 S \* 10/2008 Huang ..... D26/28  
D592,778 S \* 5/2009 Chang ..... D26/28

(73) Assignee: **Lucidity Enterprise Co., Ltd.**, Annan  
District, Tainan (TW)

\* cited by examiner

*Primary Examiner* — Marcus Jackson

(\*\*) Term: **14 Years**

(57) **CLAIM**

The ornamental design for a vehicle lamp, as shown and described.

(21) Appl. No.: **29/434,213**

**DESCRIPTION**

(22) Filed: **Oct. 11, 2012**

FIG. 1 is a perspective view of a vehicle lamp showing my design;

(51) **LOC (10) Cl.** ..... **26-06**

FIG. 2 is a front elevational view thereof;

(52) **U.S. Cl.**

FIG. 3 is a rear elevational view thereof;

USPC ..... **D26/28**

FIG. 4 is a left side elevational view thereof;

(58) **Field of Classification Search**

FIG. 5 is a right side elevational view thereof;

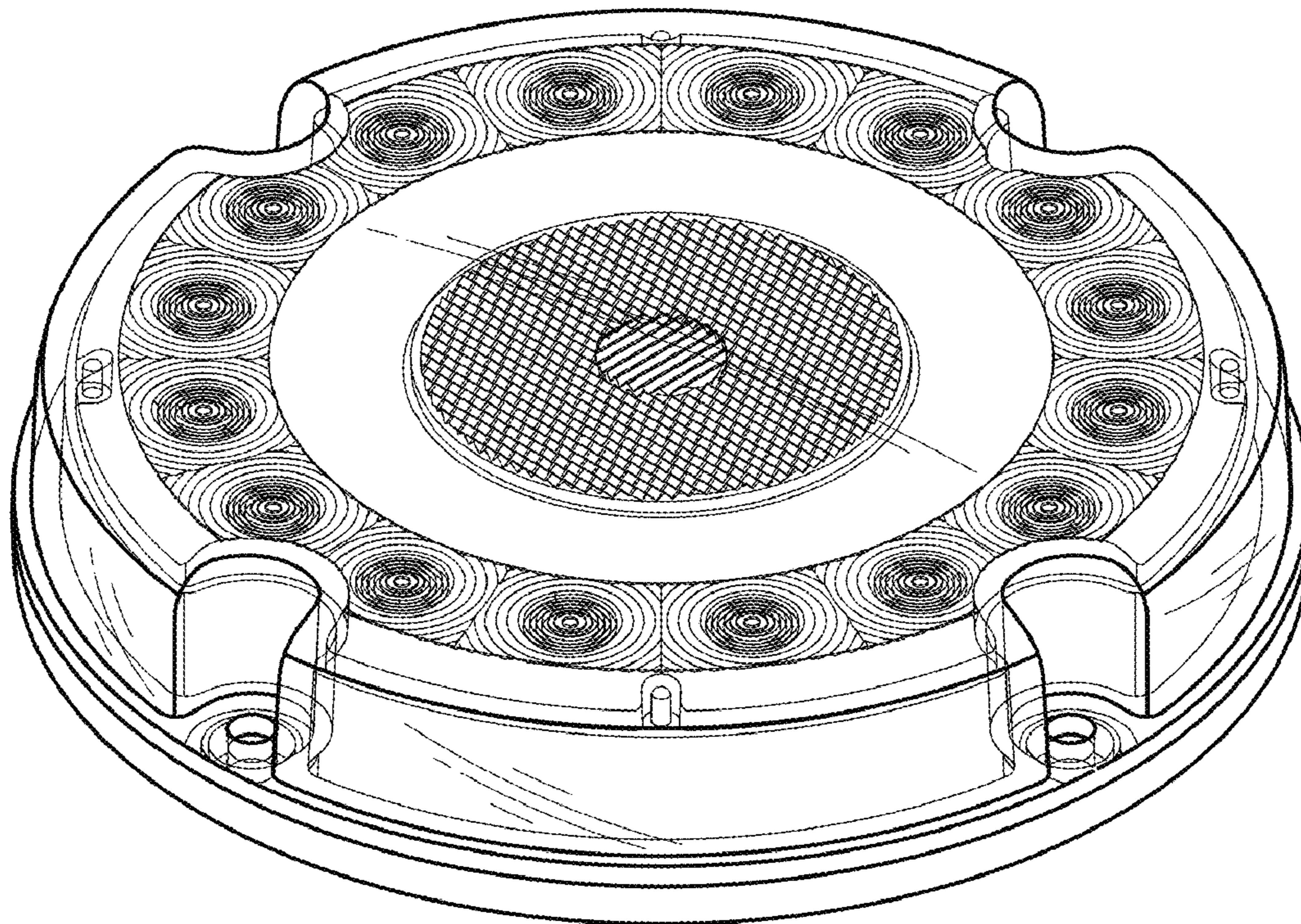
USPC ..... D26/28-36; 362/459-468, 475-478,  
362/485-487

FIG. 6 is a top plan view thereof; and,

FIG. 7 is a bottom plan view.

See application file for complete search history.

**1 Claim, 5 Drawing Sheets**





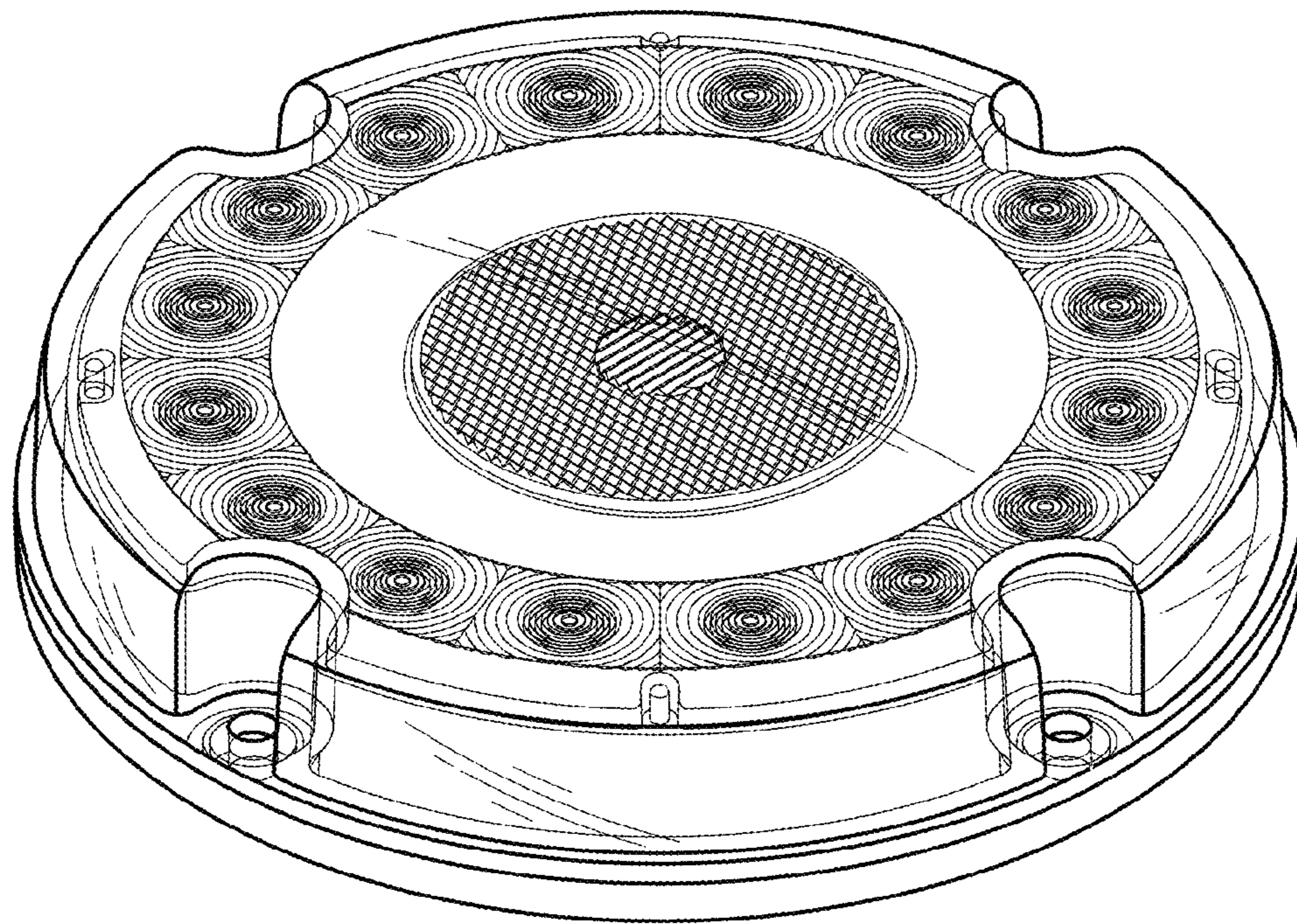


FIG.1

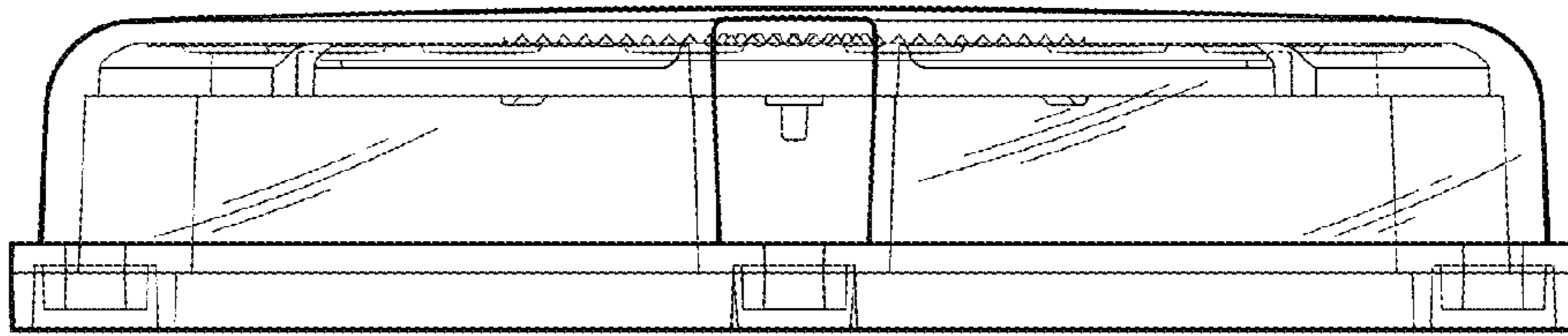


FIG. 2

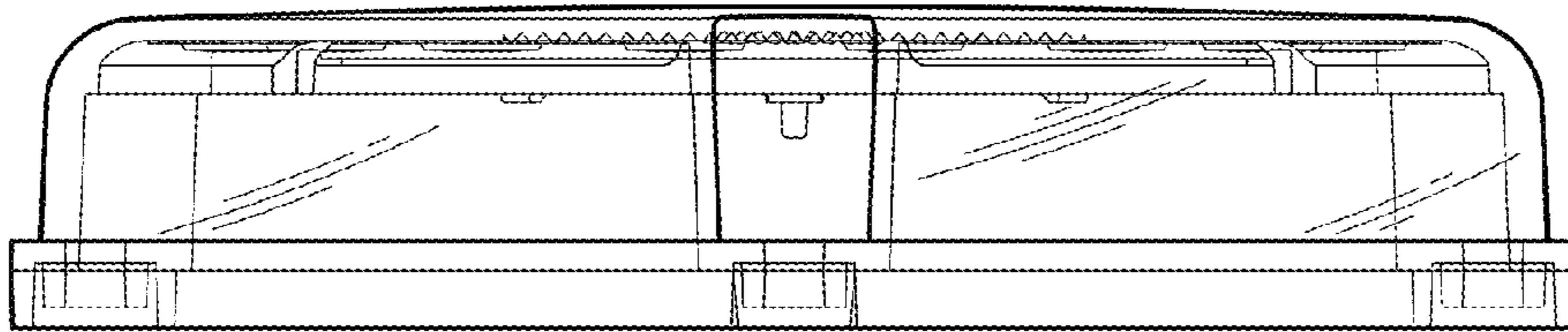


FIG. 3

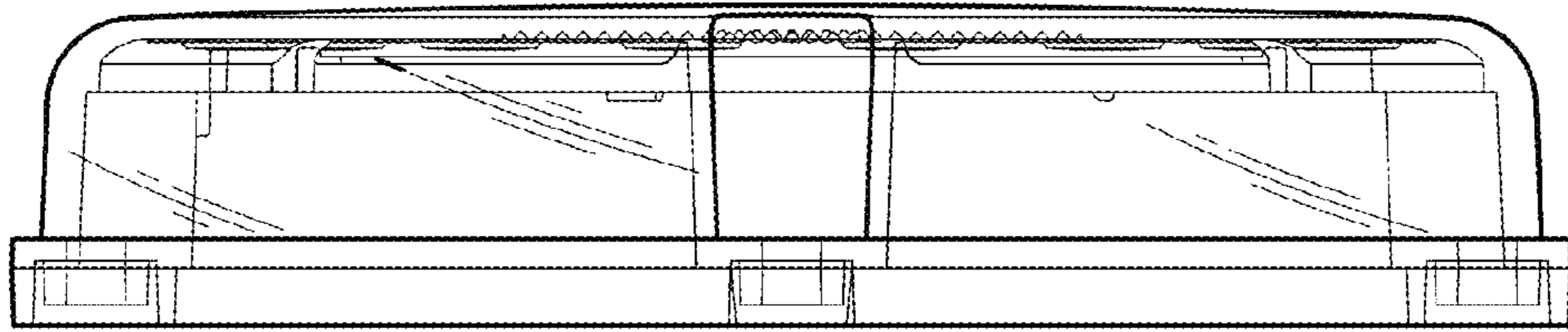


FIG. 4

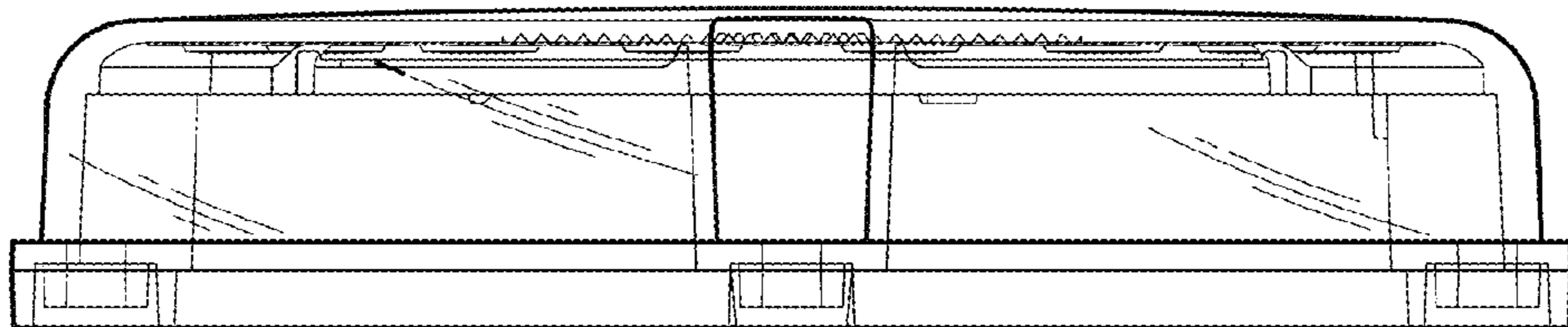


FIG. 5



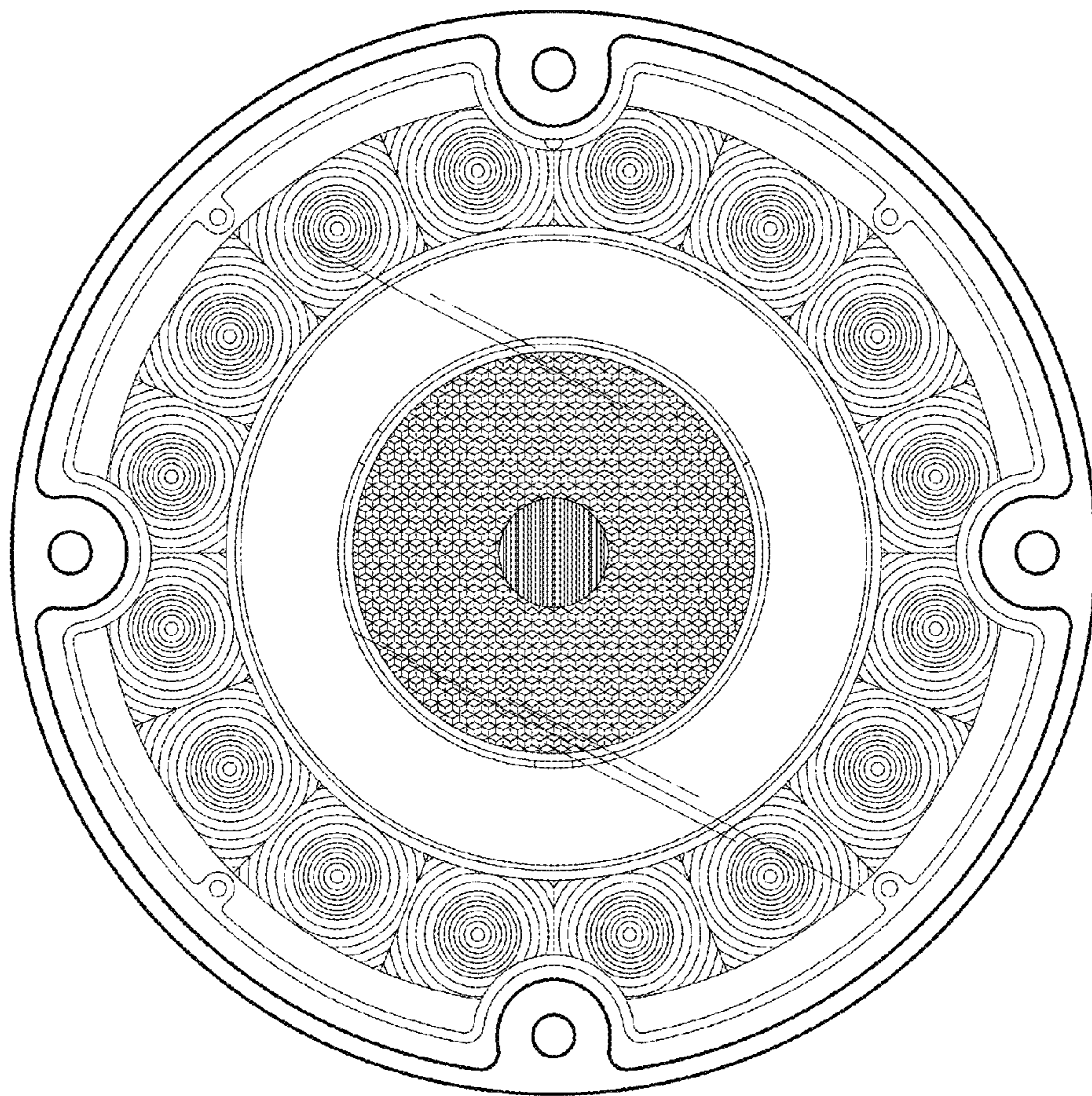


FIG. 6

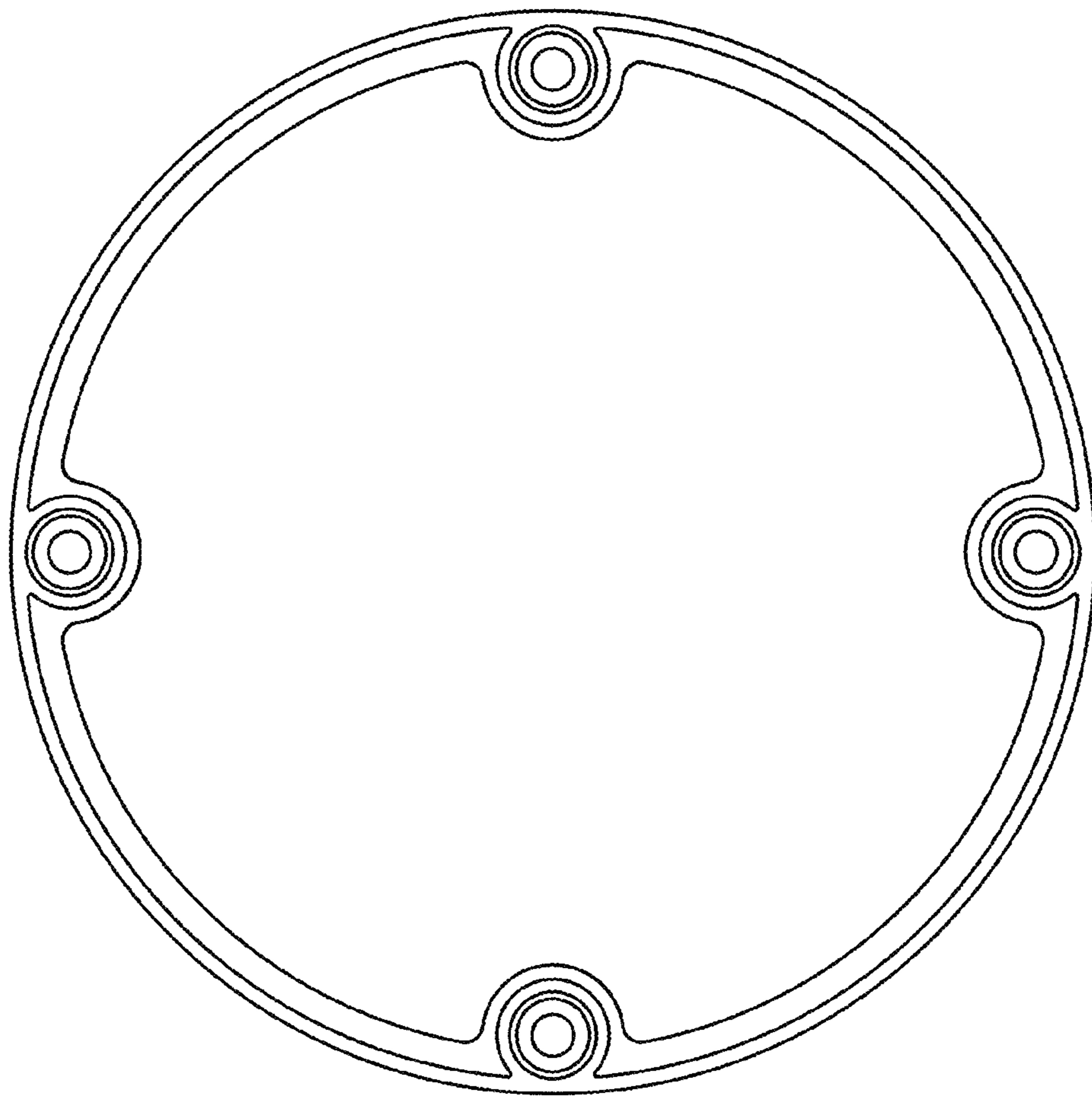


FIG.7