



US00D711564S

(12) **United States Design Patent**  
**Chou et al.**

(10) **Patent No.:** **US D711,564 S**

(45) **Date of Patent:** **\*\* Aug. 19, 2014**

(54) **VEHICLE LAMP**

(71) Applicants: **Chi-Hsuan Chou**, Tainan (TW);  
**Yu-Chia Chen**, Tainan (TW)

(72) Inventors: **Chi-Hsuan Chou**, Tainan (TW);  
**Yu-Chia Chen**, Tainan (TW)

(73) Assignee: **Licity Enterprise Co., Ltd.**, Annan  
District, Tainan (TW)

(\*\*) Term: **14 Years**

(21) Appl. No.: **29/434,002**

(22) Filed: **Oct. 8, 2012**

(51) **LOC (10) Cl.** ..... **26-06**

(52) **U.S. Cl.**  
USPC ..... **D26/28**

(58) **Field of Classification Search**  
USPC ..... D26/28-36; 362/459-468, 475-478,  
362/485-487  
See application file for complete search history.

(56) **References Cited**

**U.S. PATENT DOCUMENTS**

D445,924 S \* 7/2001 Oh ..... D26/28

D447,826 S \* 9/2001 Kang ..... D26/28  
D451,218 S \* 11/2001 Bernier ..... D26/28  
D500,153 S \* 12/2004 Stephens et al. .... D26/28  
D630,354 S \* 1/2011 Stephens et al. .... D26/28

\* cited by examiner

*Primary Examiner* — Marcus Jackson

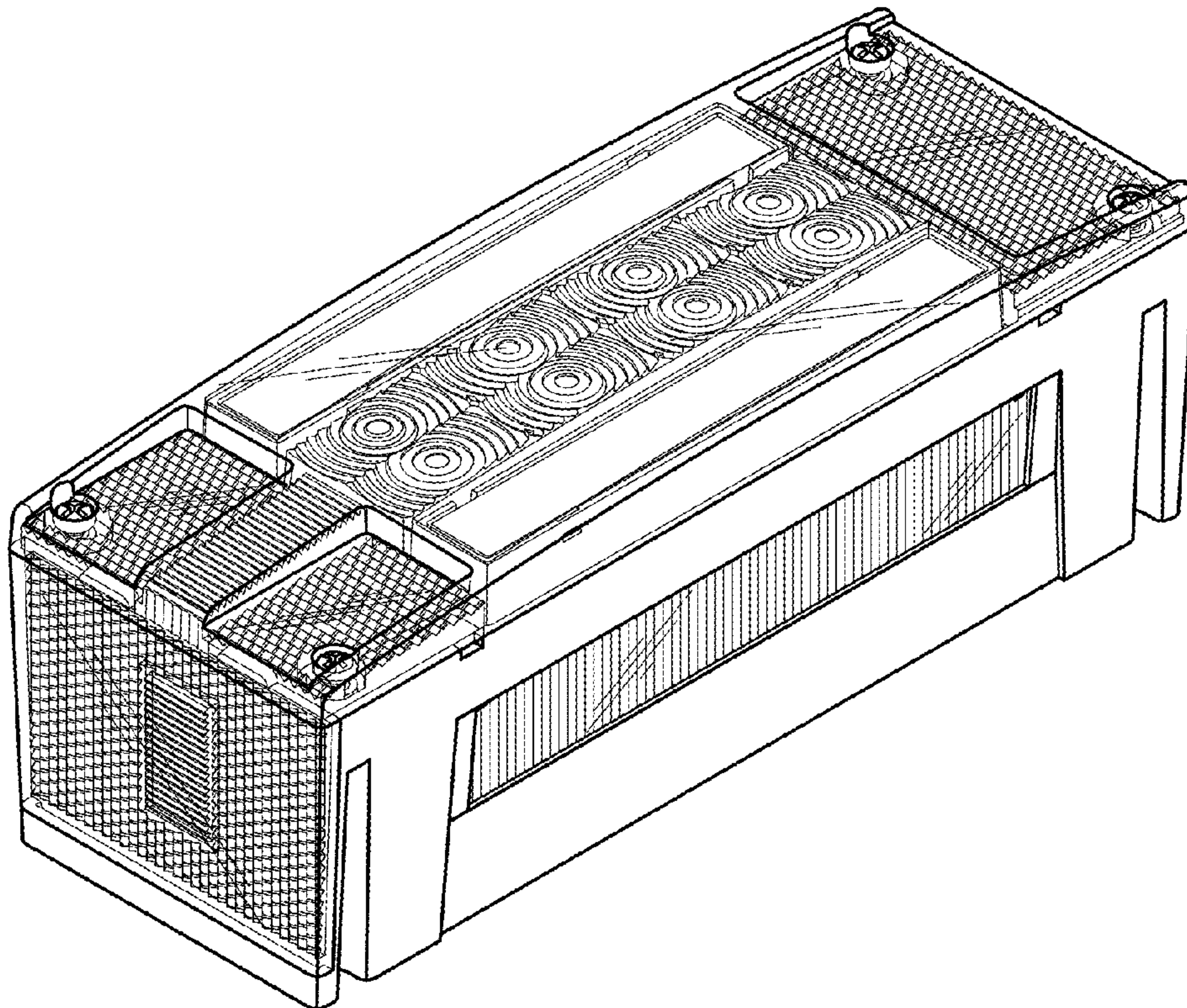
(57) **CLAIM**

The ornamental design for a vehicle lamp, as shown and described.

**DESCRIPTION**

FIG. 1 is a perspective view of a vehicle lamp showing my design;  
FIG. 2 is a front elevational view thereof;  
FIG. 3 is a rear elevational view thereof;  
FIG. 4 is a left side elevational view thereof;  
FIG. 5 is a right side elevational view thereof;  
FIG. 6 is a top plan view thereof; and,  
FIG. 7 is a bottom plan view.

**1 Claim, 4 Drawing Sheets**



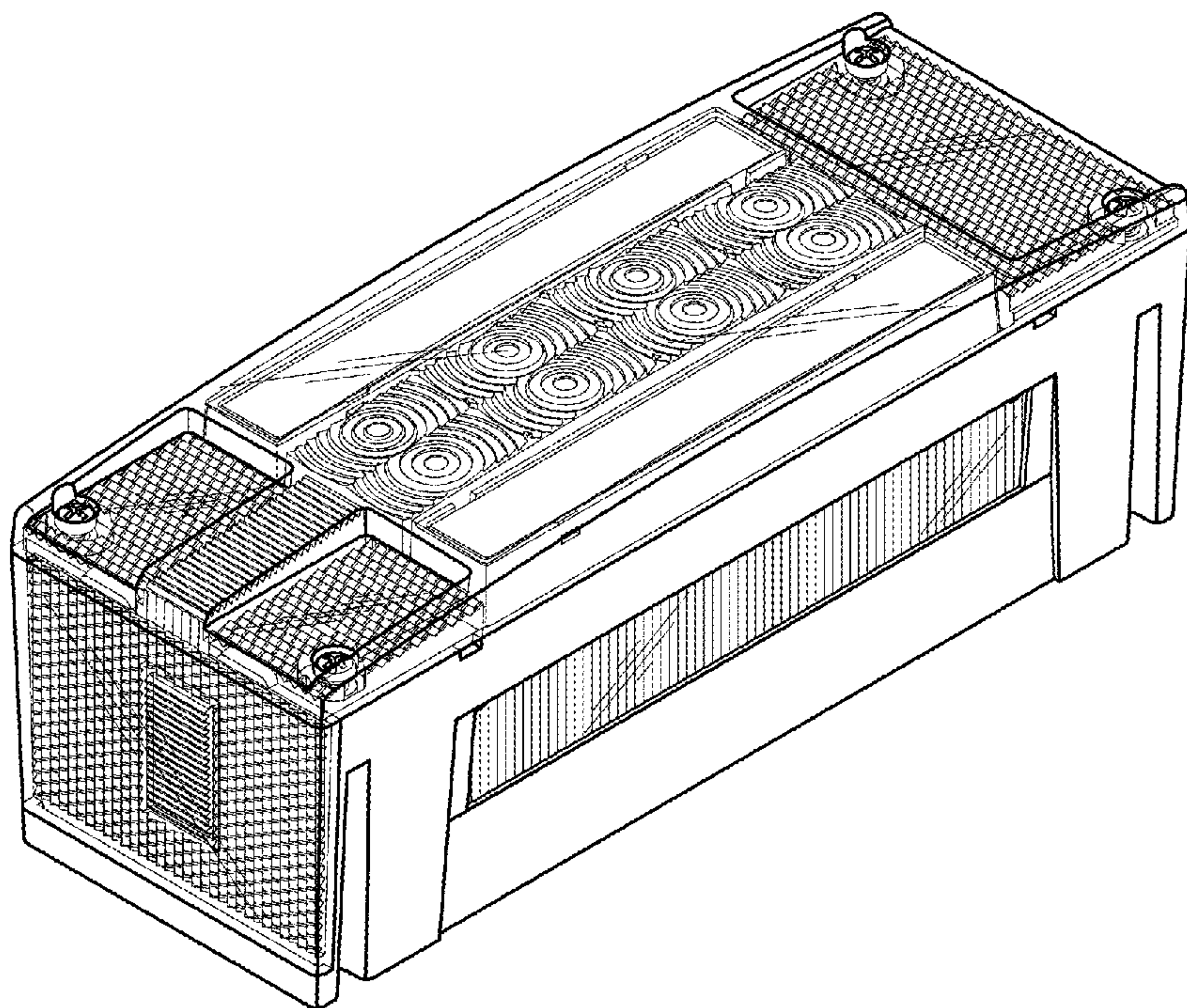


FIG. 1



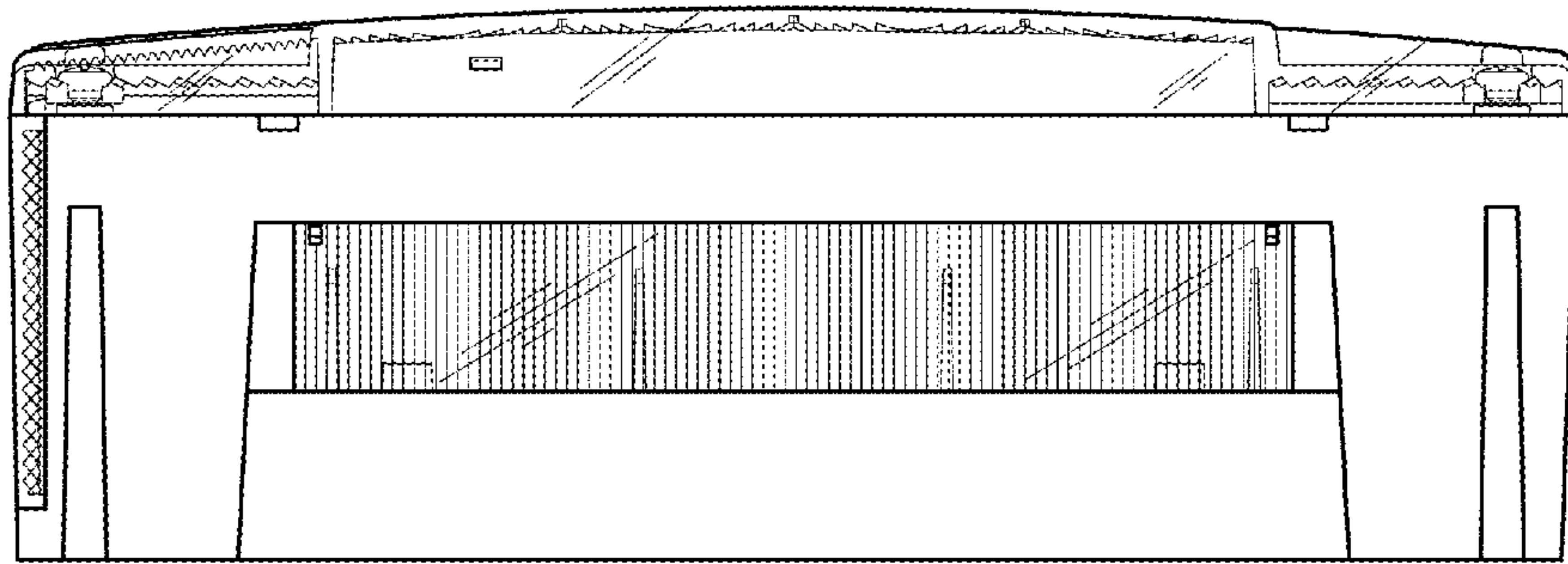


FIG. 2

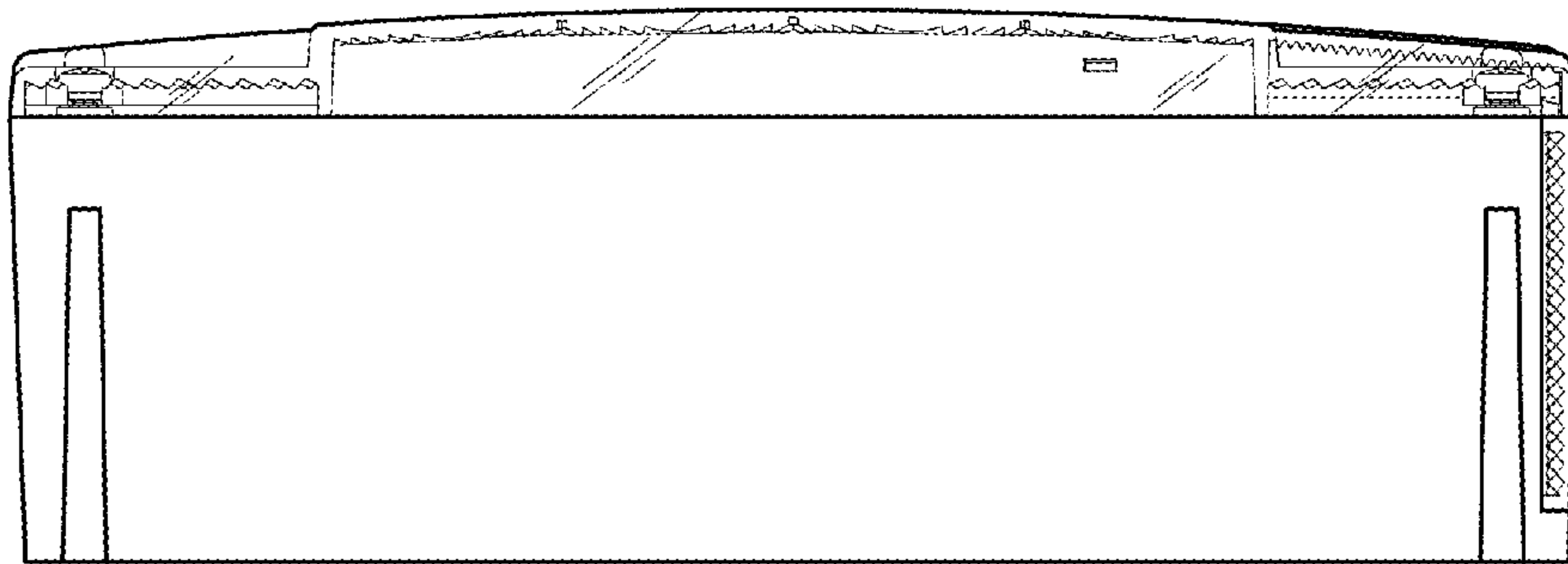


FIG. 3

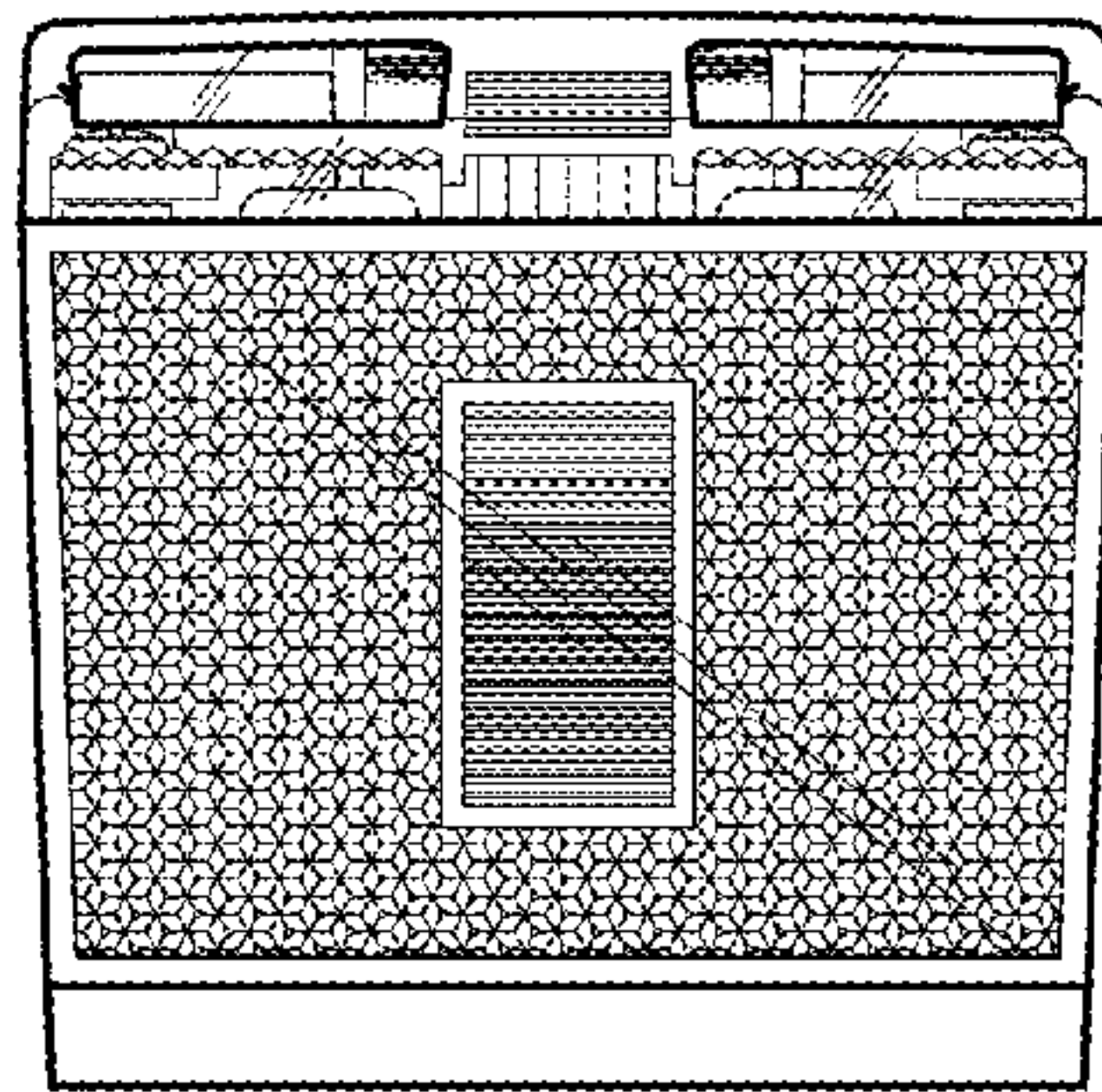


FIG. 4

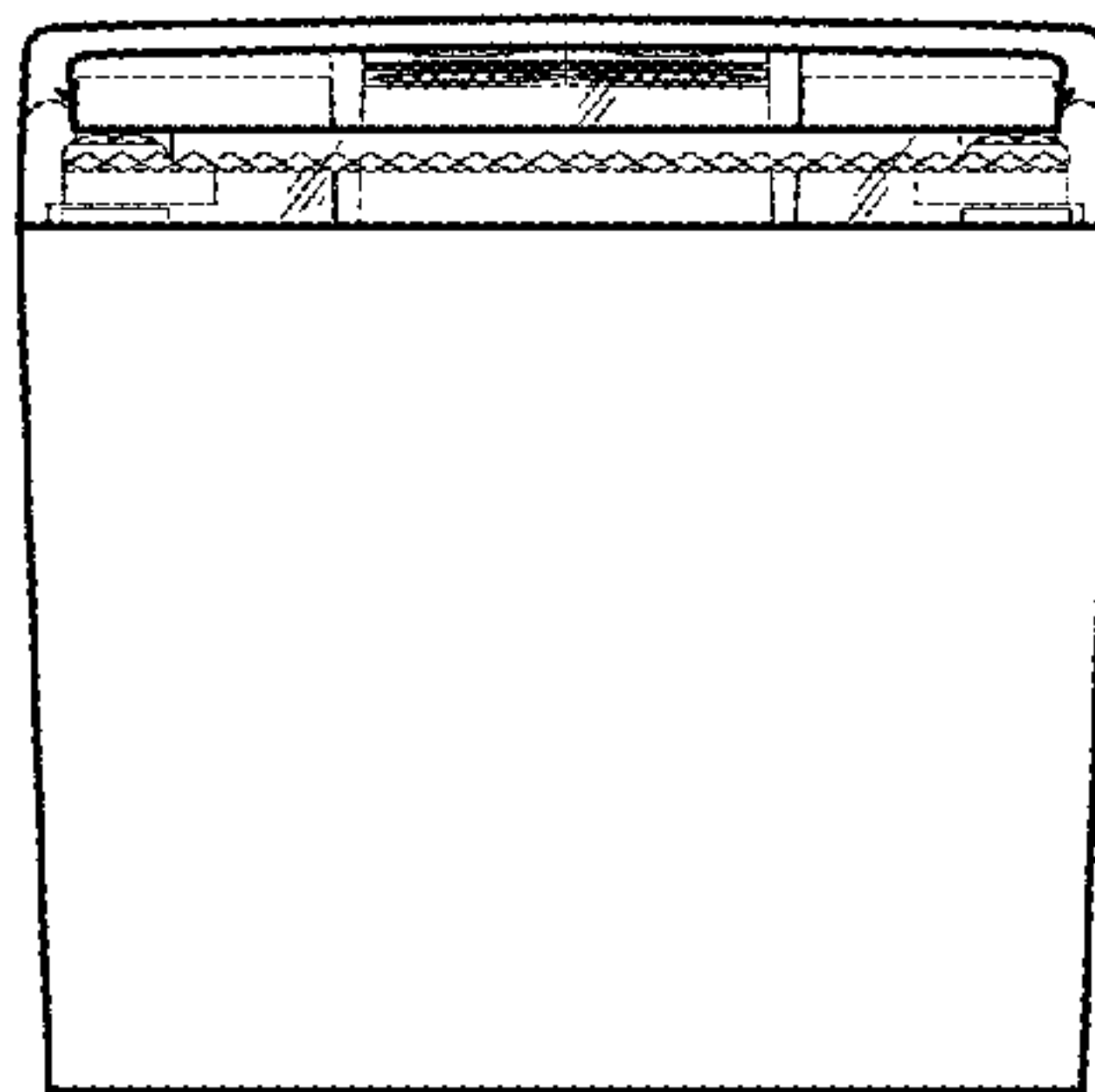


FIG. 5

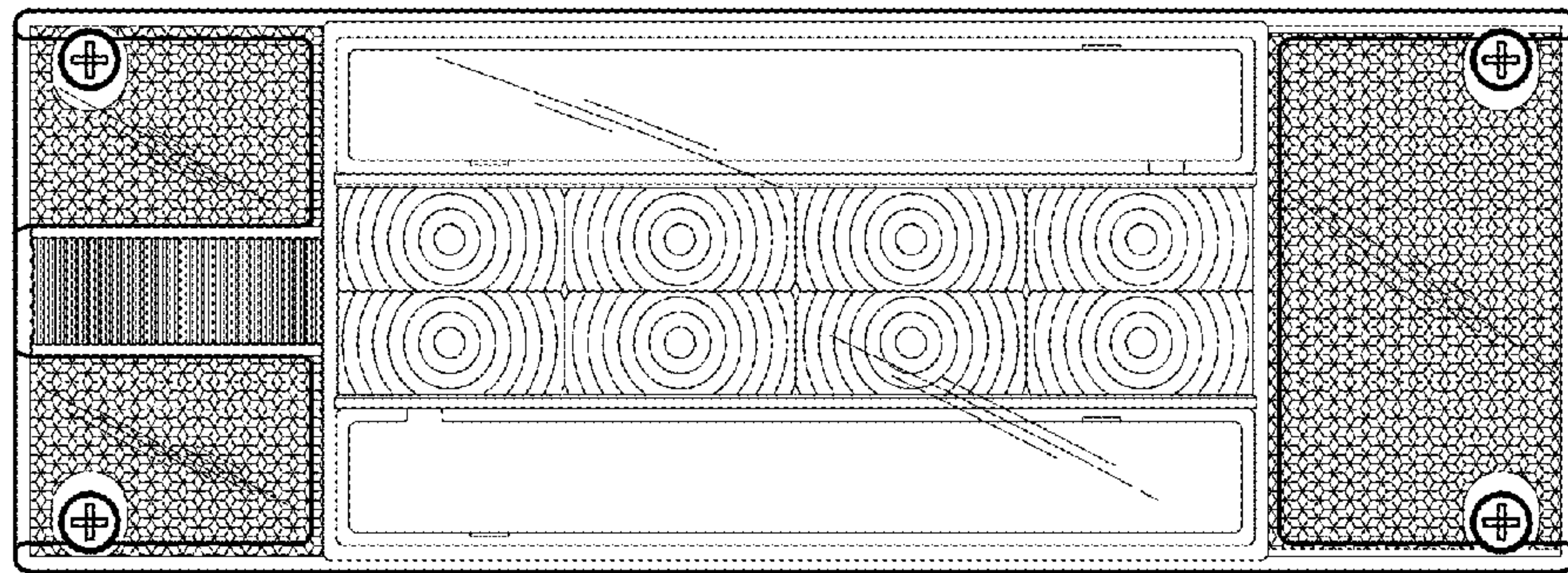


FIG. 6



FIG. 7