



US00D711559S

(12) **United States Design Patent**  
**Webb et al.**

(10) **Patent No.:** **US D711,559 S**

(45) **Date of Patent:** **\*\* Aug. 19, 2014**

(54) **LED BULB**

(75) Inventors: **Andrew Webb**, San Jose, CA (US);  
**David Titzler**, Palo Alto, CA (US);  
**Ronan Le Toquin**, Fremont, CA (US);  
**David Horn**, Saratoga, CA (US); **Travis**  
**Andrew Lee**, San Francisco, CA (US);  
**Jonathan Lefors**, San Francisco, CA  
(US); **Benjamin Kai Norman**  
**Robertson**, San Francisco, CA (US);  
**Brian Charles Rulifson**, Seattle, WA  
(US); **Stuart Kyle**, San Francisco, CA  
(US); **Alex Rochat**, Emeryville, CA  
(US); **Jeff Salazar**, Palo Alto, CA (US)

(73) Assignee: **Switch Bulb Company, Inc.**, San Jose,  
CA (US)

(\*\*) Term: **14 Years**

(21) Appl. No.: **29/429,024**

(22) Filed: **Aug. 6, 2012**

(51) **LOC (10) Cl.** ..... **26-04**

(52) **U.S. Cl.**  
USPC ..... **D26/2**

(58) **Field of Classification Search**  
USPC ..... D26/1-4; 313/313, 315, 316, 317, 318,  
313/493; 315/52, 53, 56, 57, 58  
See application file for complete search history.

(56) **References Cited**

U.S. PATENT DOCUMENTS

D538,950 S *	3/2007	Maxik	.....	D26/2
D617,915 S *	6/2010	Wada et al.	.....	D26/2
D617,918 S *	6/2010	Yamamoto et al.	.....	D26/2
D617,919 S *	6/2010	Wada et al.	.....	D26/2
D690,036 S *	9/2013	Rochat et al.	.....	D26/2

\* cited by examiner

*Primary Examiner* — Marcus Jackson

(74) *Attorney, Agent, or Firm* — Morrison & Foerster LLP

(57) **CLAIM**

The ornamental design for an LED bulb, as shown and described.

**DESCRIPTION**

FIG. 1 is a perspective view of a first embodiment of an LED bulb;  
 FIG. 2 is a first side view of the first embodiment;  
 FIG. 3 is a second side view of the first embodiment;  
 FIG. 4 is a third side view of the first embodiment;  
 FIG. 5 is a fourth side view of the first embodiment;  
 FIG. 6 is a top view of the first embodiment;  
 FIG. 7 is a bottom view of the first embodiment;  
 FIG. 8 is a perspective view of a second embodiment of an LED bulb;  
 FIG. 9 is a first side view of the second embodiment;  
 FIG. 10 is a second side view of the second embodiment;  
 FIG. 11 is a third side view of the second embodiment;  
 FIG. 12 is a fourth side view of the second embodiment;  
 FIG. 13 is a top side view of the second embodiment;  
 FIG. 14 is a bottom view of the second embodiment;  
 FIG. 15 is a perspective view of the a third embodiment of an LED bulb;  
 FIG. 16 is a first side view of the third embodiment;  
 FIG. 17 is a second side view of the third embodiment;  
 FIG. 18 is a third side view of the third embodiment;  
 FIG. 19 is a fourth side view of the third embodiment;  
 FIG. 20 is a top view of the third embodiment;  
 FIG. 21 is a bottom view of the third embodiment;  
 FIG. 22 is a perspective view of a fourth embodiment of an LED bulb;  
 FIG. 23 is a first side view of the fourth embodiment;  
 FIG. 24 is a second side view of the fourth embodiment;  
 FIG. 25 is a third side view of the fourth embodiment;  
 FIG. 26 is a fourth side view of the fourth embodiment;  
 FIG. 27 is a top view of the fourth embodiment;  
 FIG. 28 is a bottom view of the fourth embodiment;  
 FIG. 29 is a perspective view of a fifth embodiment of an LED bulb;  
 FIG. 30 is a first side view of the fifth embodiment;  
 FIG. 31 is a second side view of the fifth embodiment;

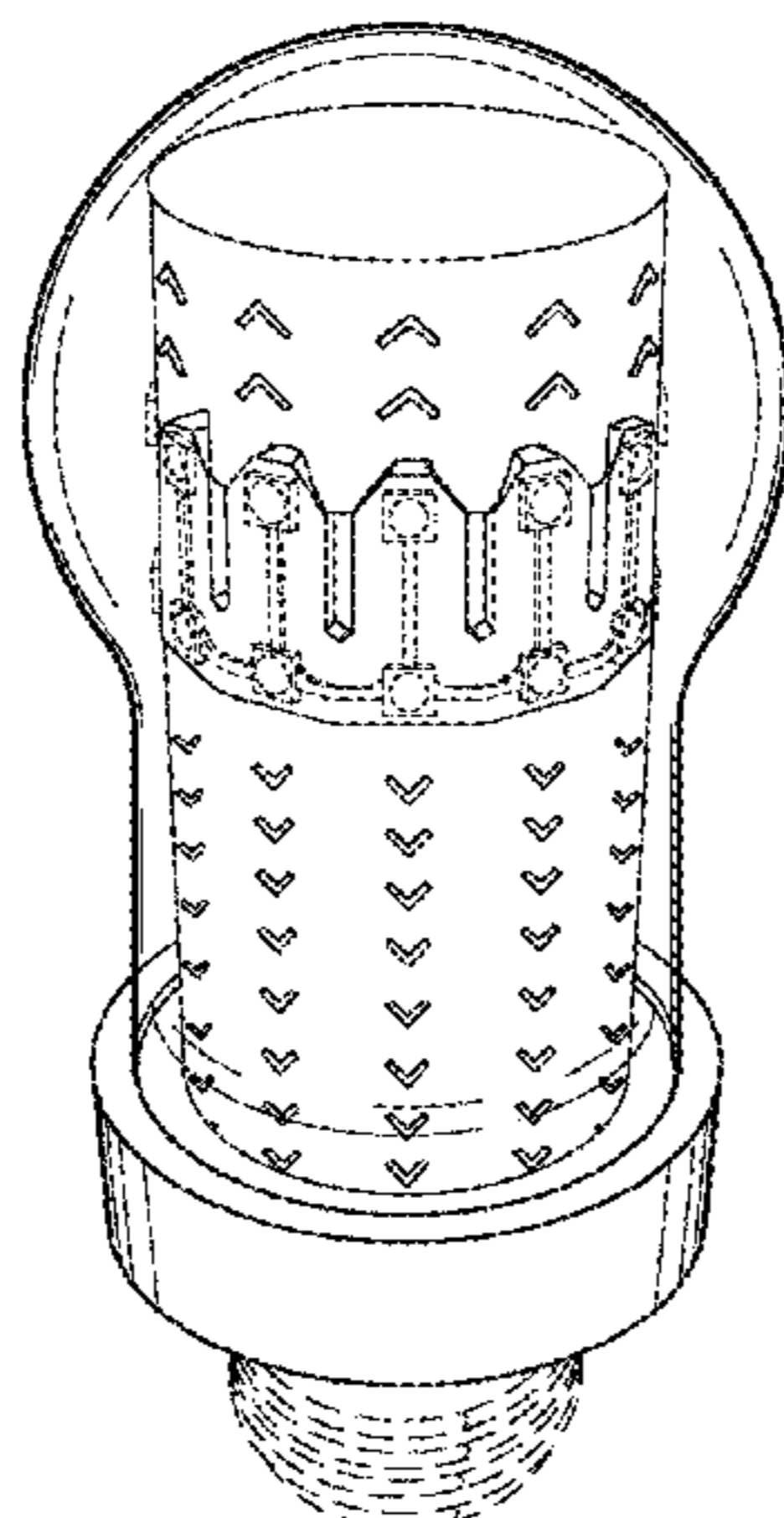


FIG. 32 is a third side view of the fifth embodiment;  
FIG. 33 is a fourth side view of the fifth embodiment;  
FIG. 34 is a top view of the fifth embodiment;  
FIG. 35 is a bottom view of the fifth embodiment;  
FIG. 36 is a perspective view of a sixth embodiment of an LED bulb;  
FIG. 37 is a first side view of the sixth embodiment;  
FIG. 38 is a second side view of the sixth embodiment;  
FIG. 39 is a third side view of the sixth embodiment;  
FIG. 40 is a fourth side view of the sixth embodiment;  
FIG. 41 is a top view of the sixth embodiment;  
FIG. 42 is a bottom view of the sixth embodiment;  
FIG. 43 is a perspective view of a seventh embodiment of an LED bulb;

FIG. 44 is a first side view of the seventh embodiment;  
FIG. 45 is a second side view of the seventh embodiment;  
FIG. 46 is a third side view of the seventh embodiment;  
FIG. 47 is a fourth side view of the seventh embodiment;  
FIG. 48 is a top view of the seventh embodiment;  
FIG. 49 is a bottom view of the seventh embodiment; and,  
FIG. 50 is a perspective view of an eighth embodiment of an LED bulb.

The broken lines are for illustrative purposes only and form no part of the claimed design.

**1 Claim, 29 Drawing Sheets**

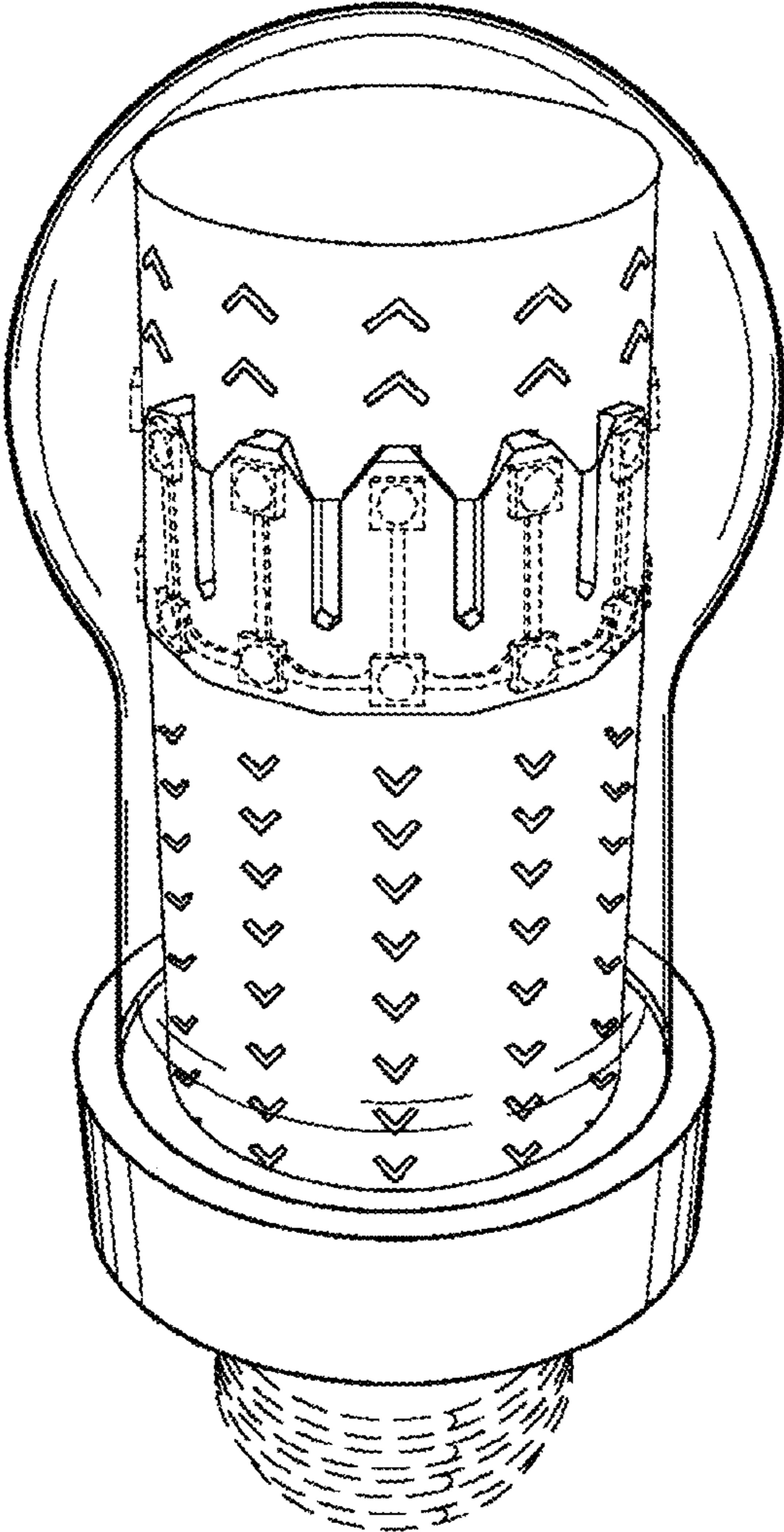


FIG. 1



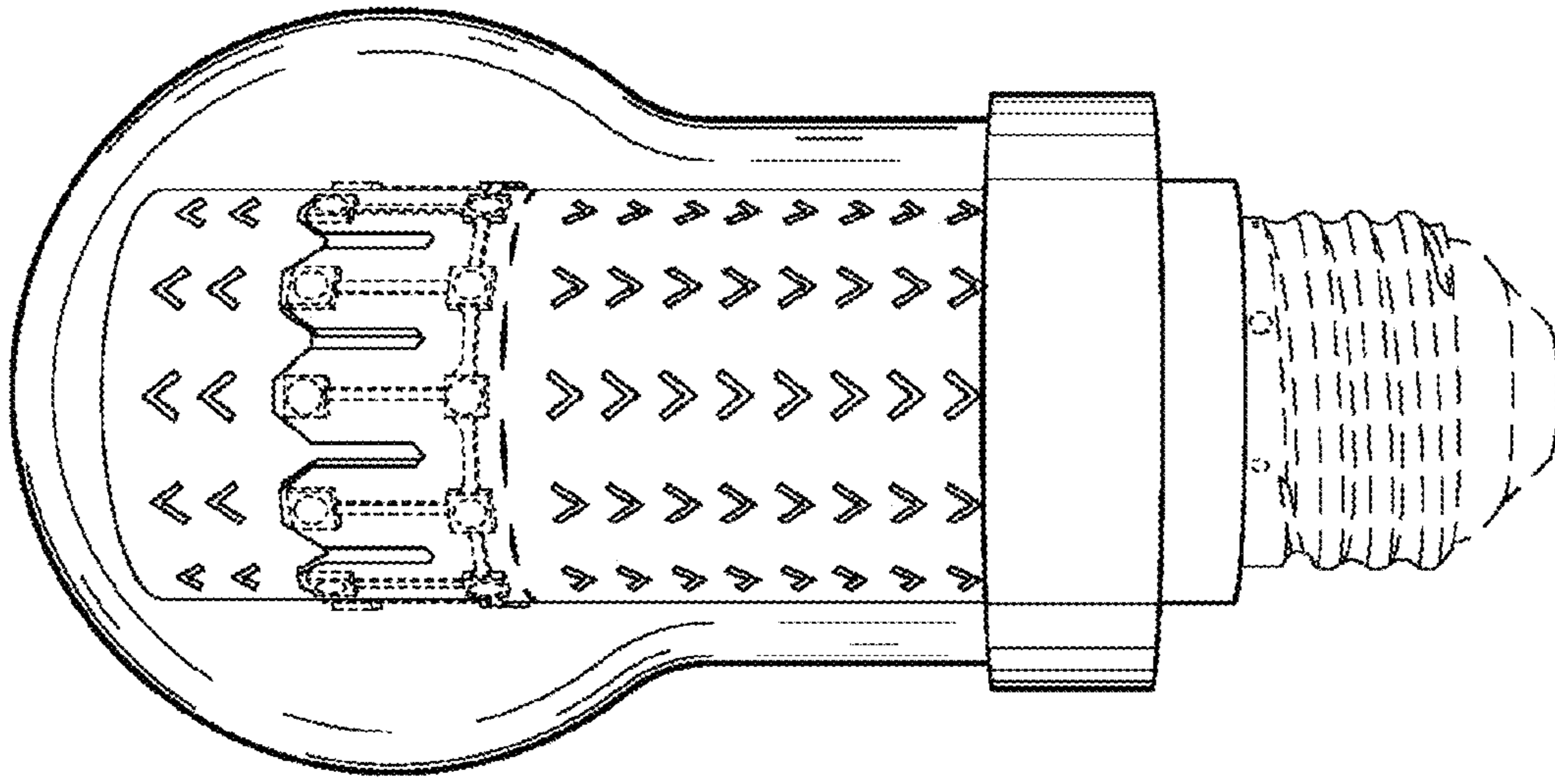


FIG. 2

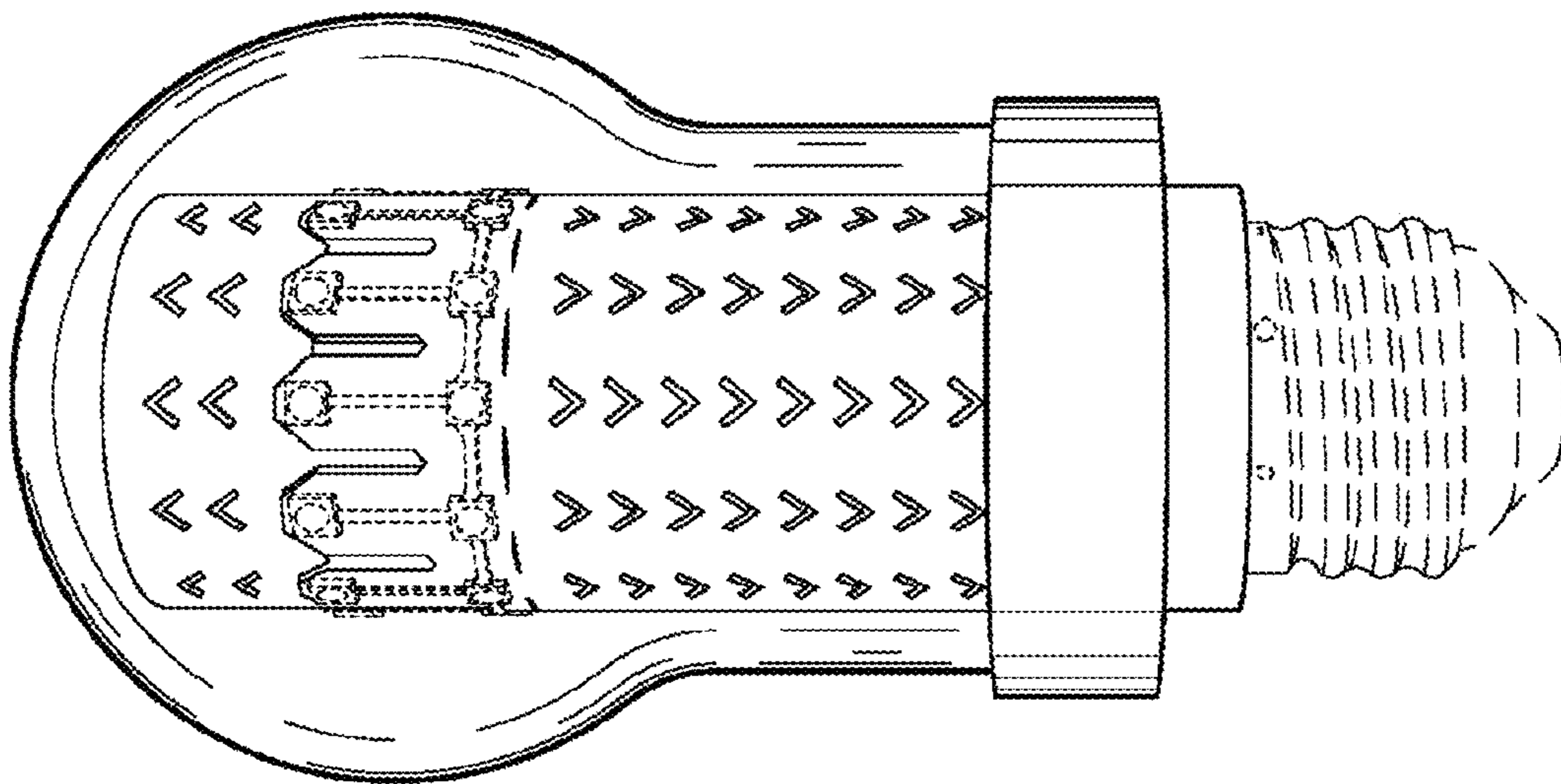


FIG. 3

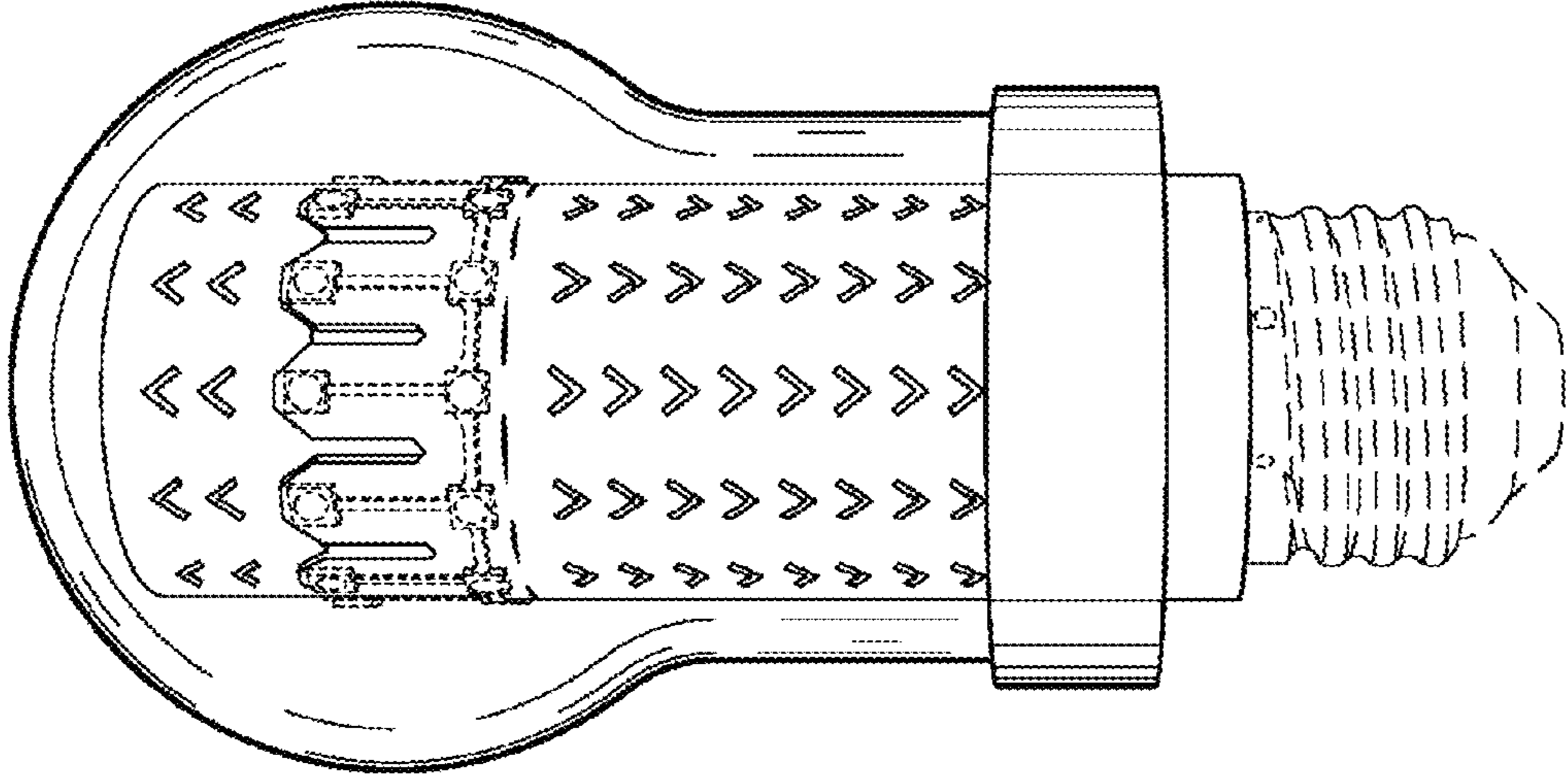


FIG. 4

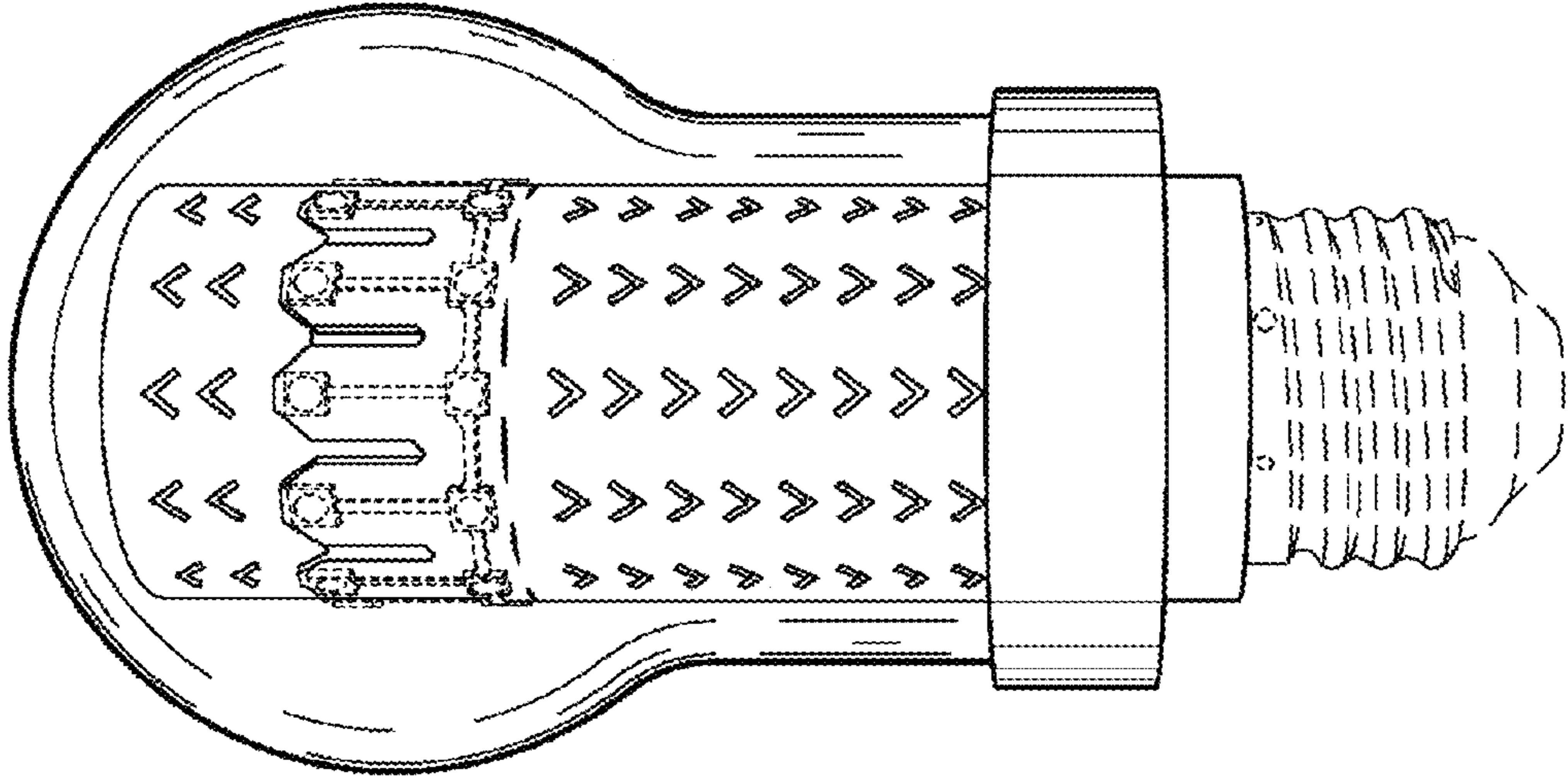


FIG. 5

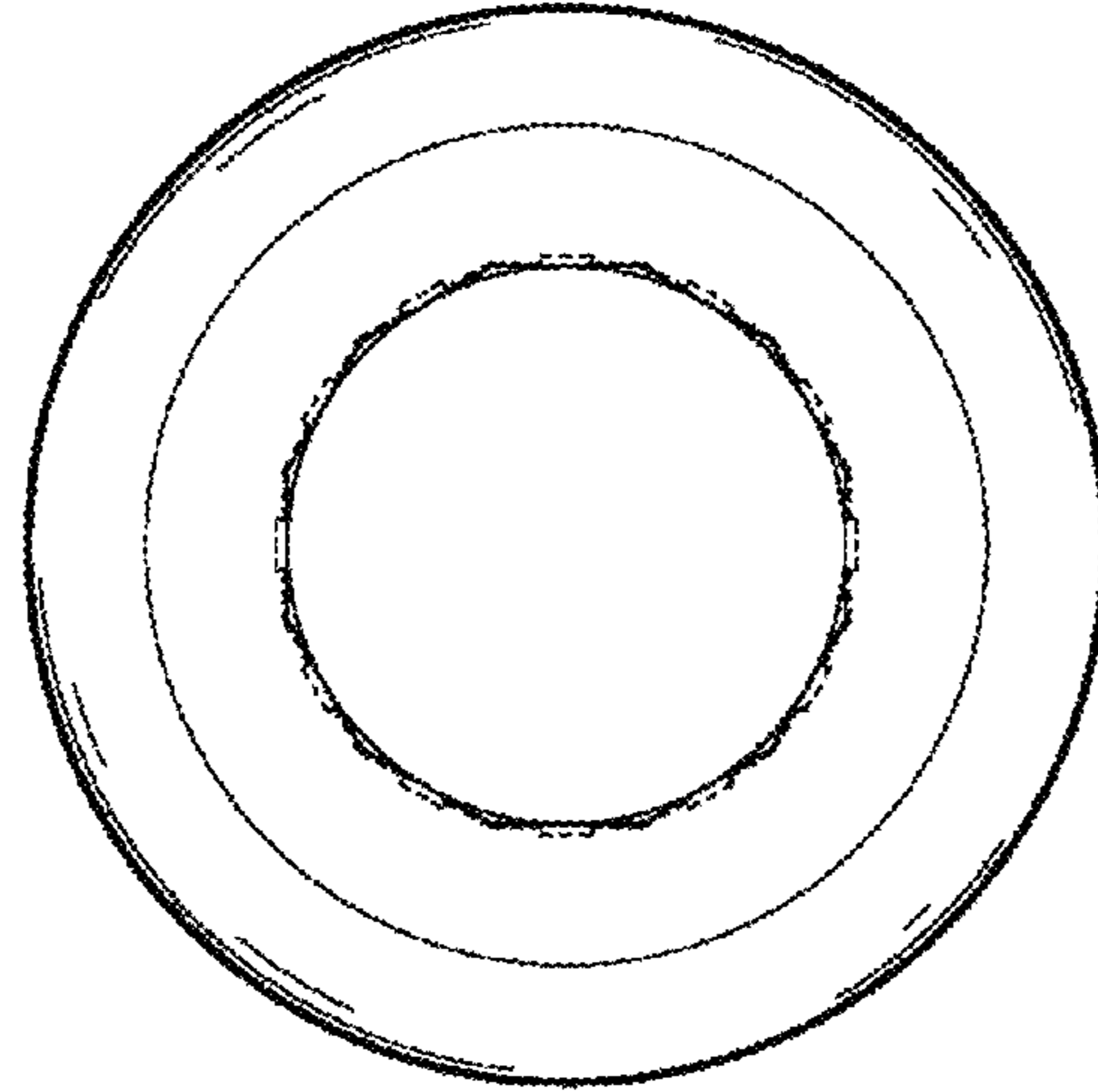


FIG. 6

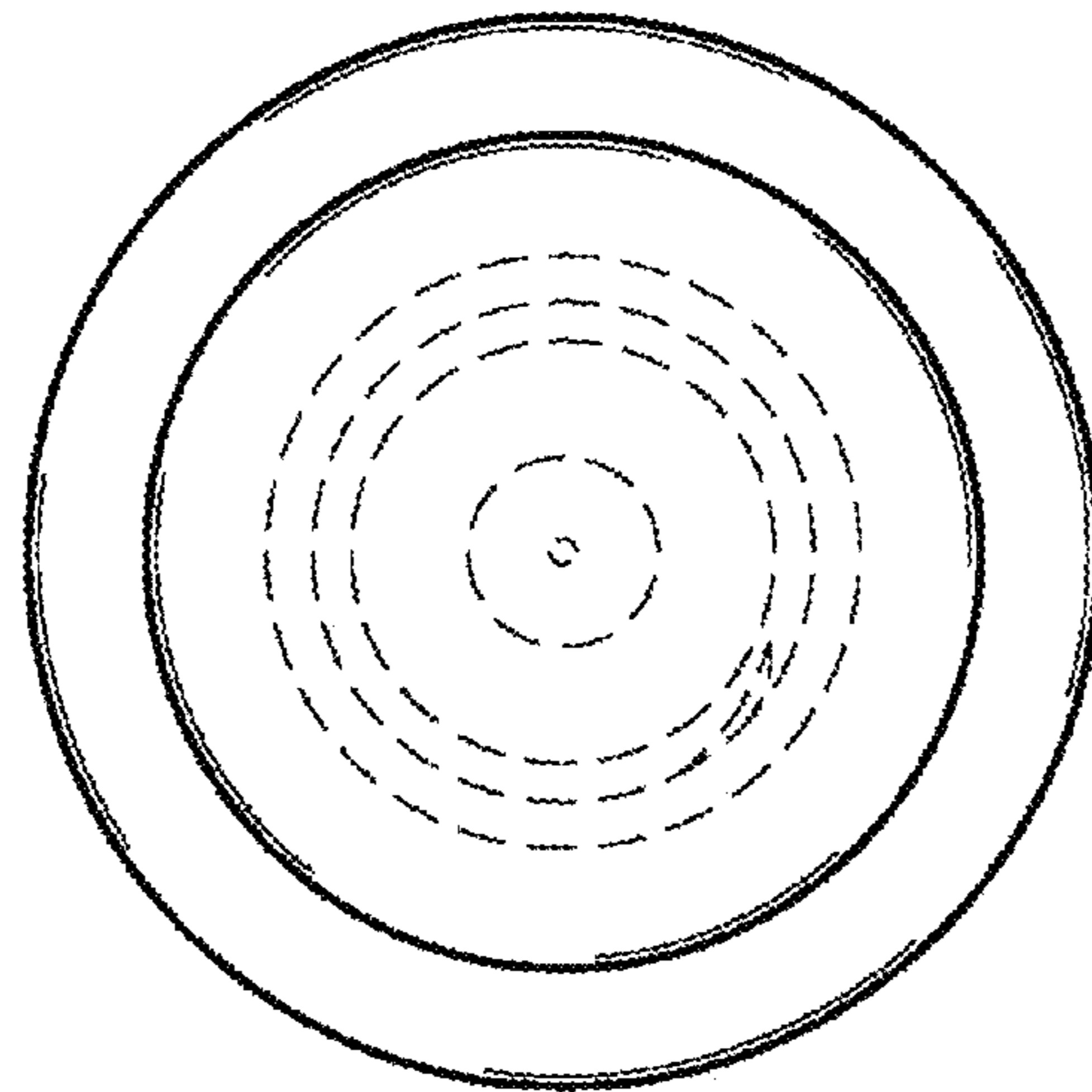


FIG. 7

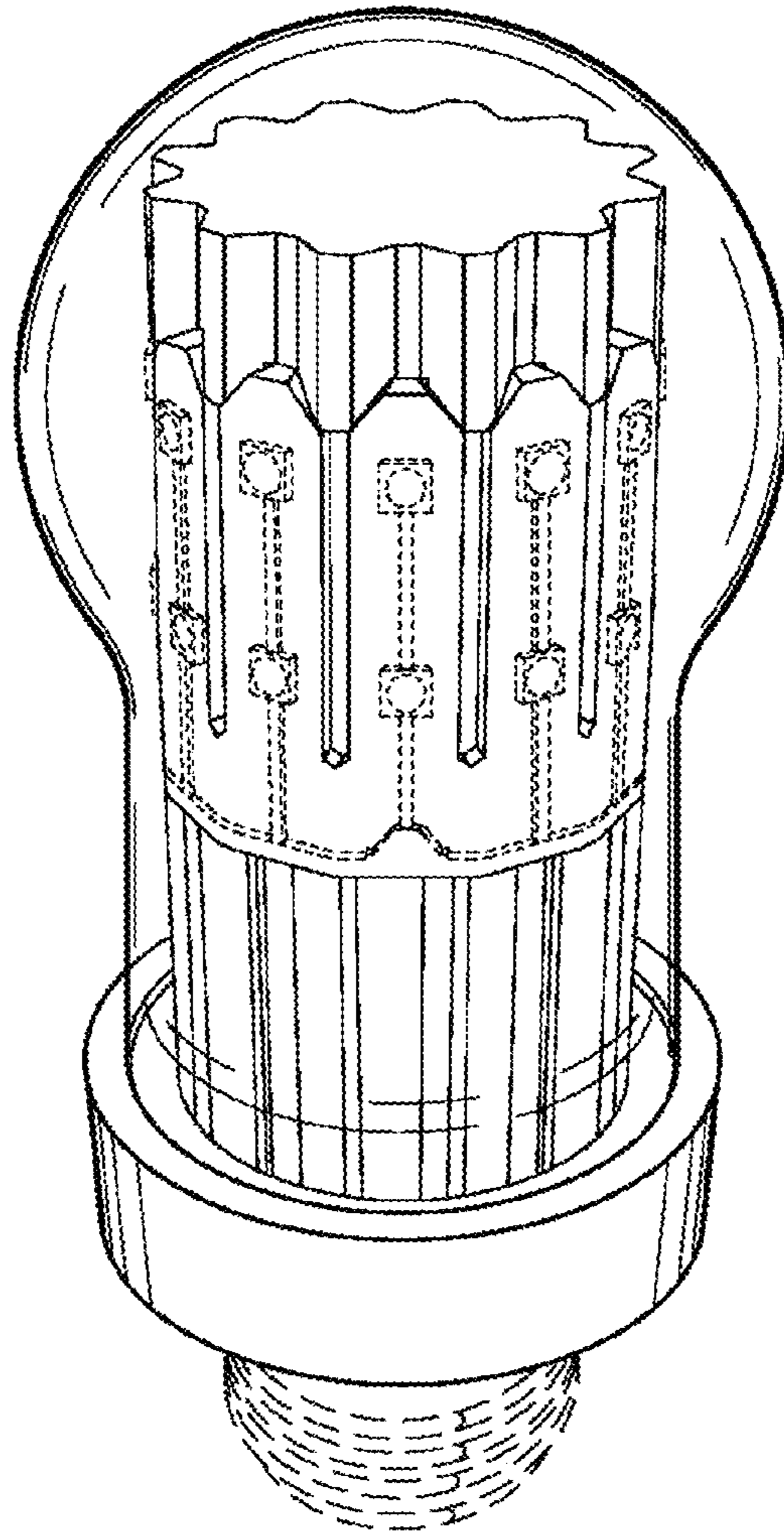


FIG. 8



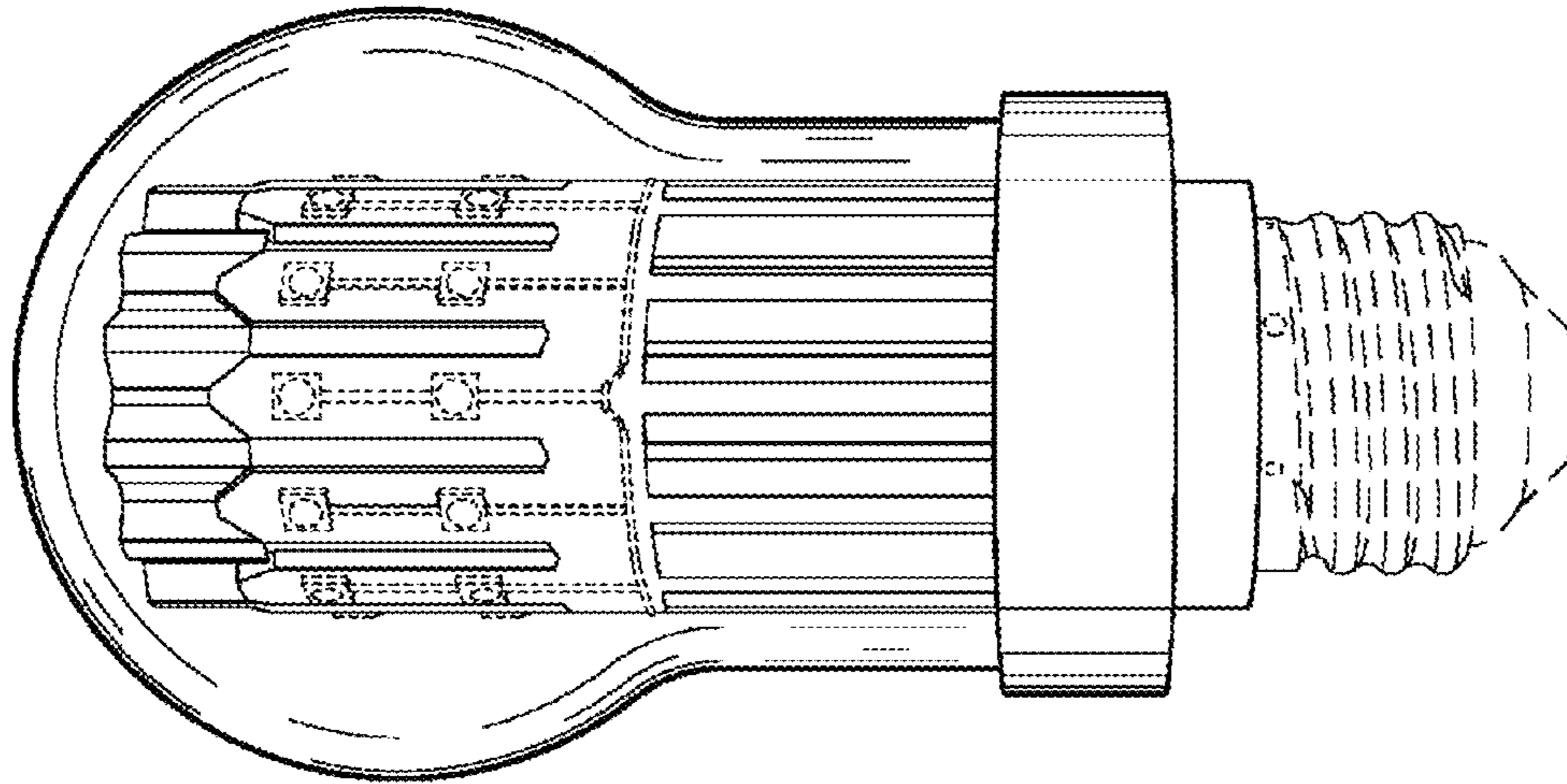


FIG. 9

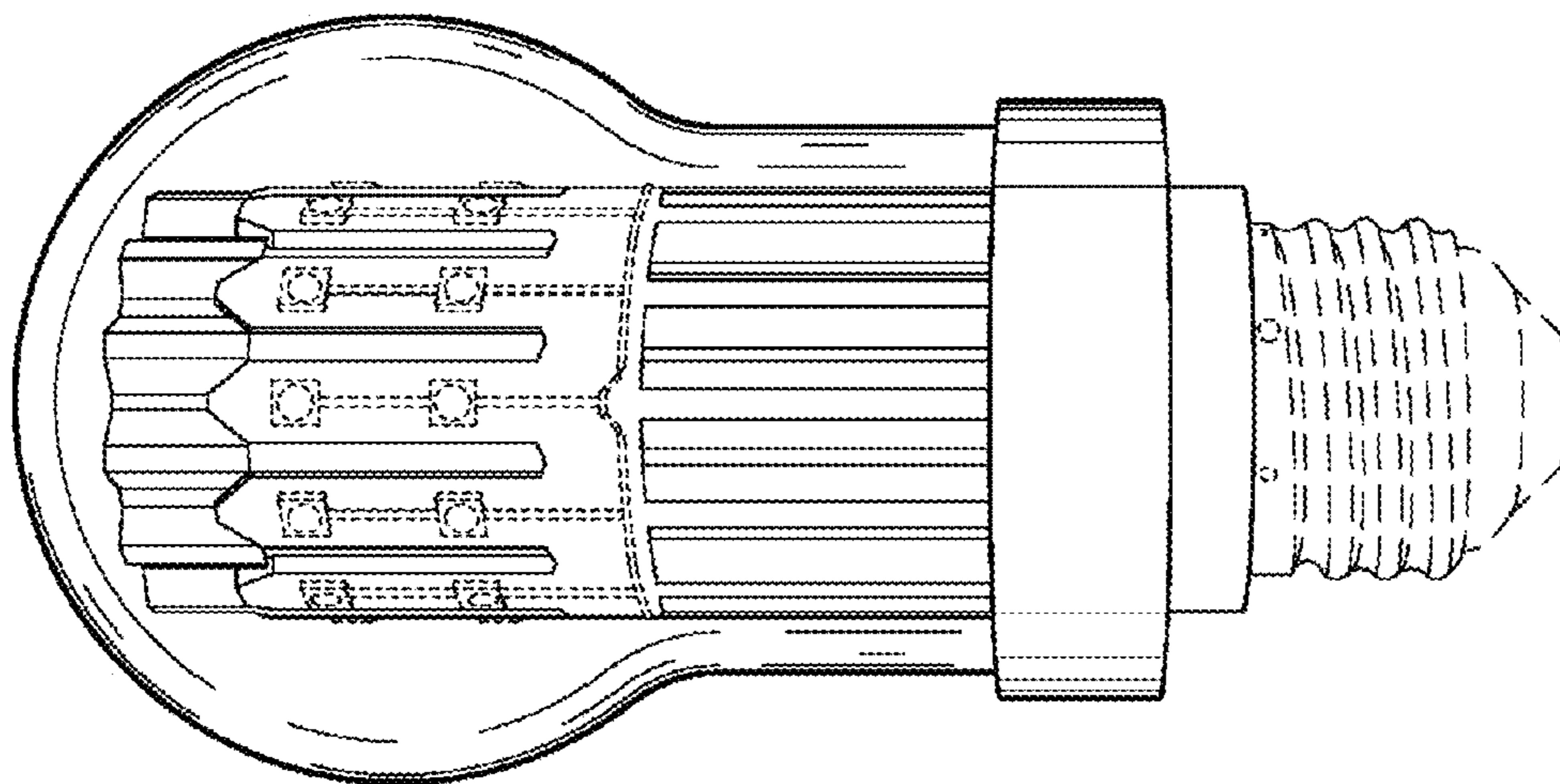


FIG. 10



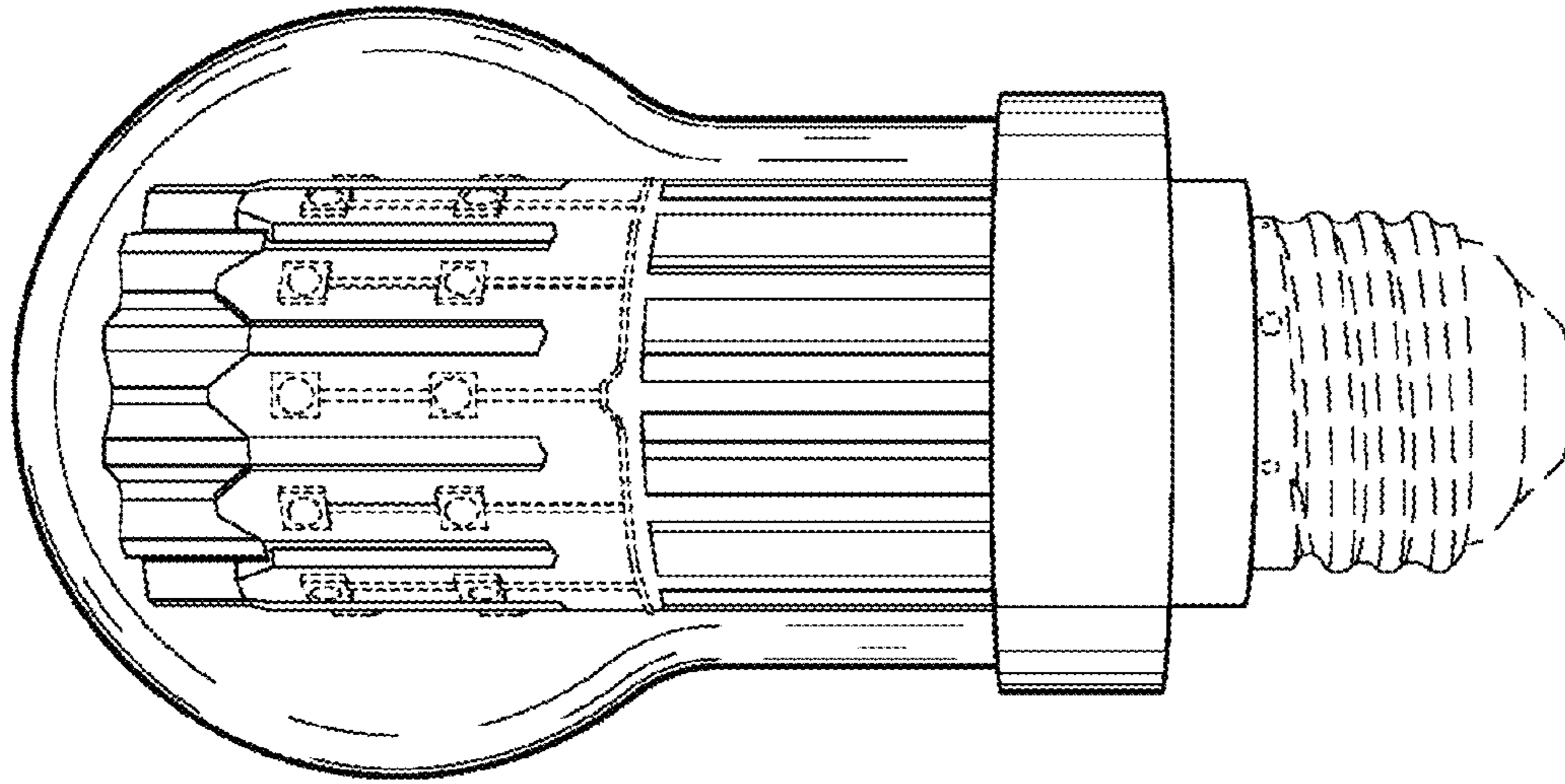


FIG. 11

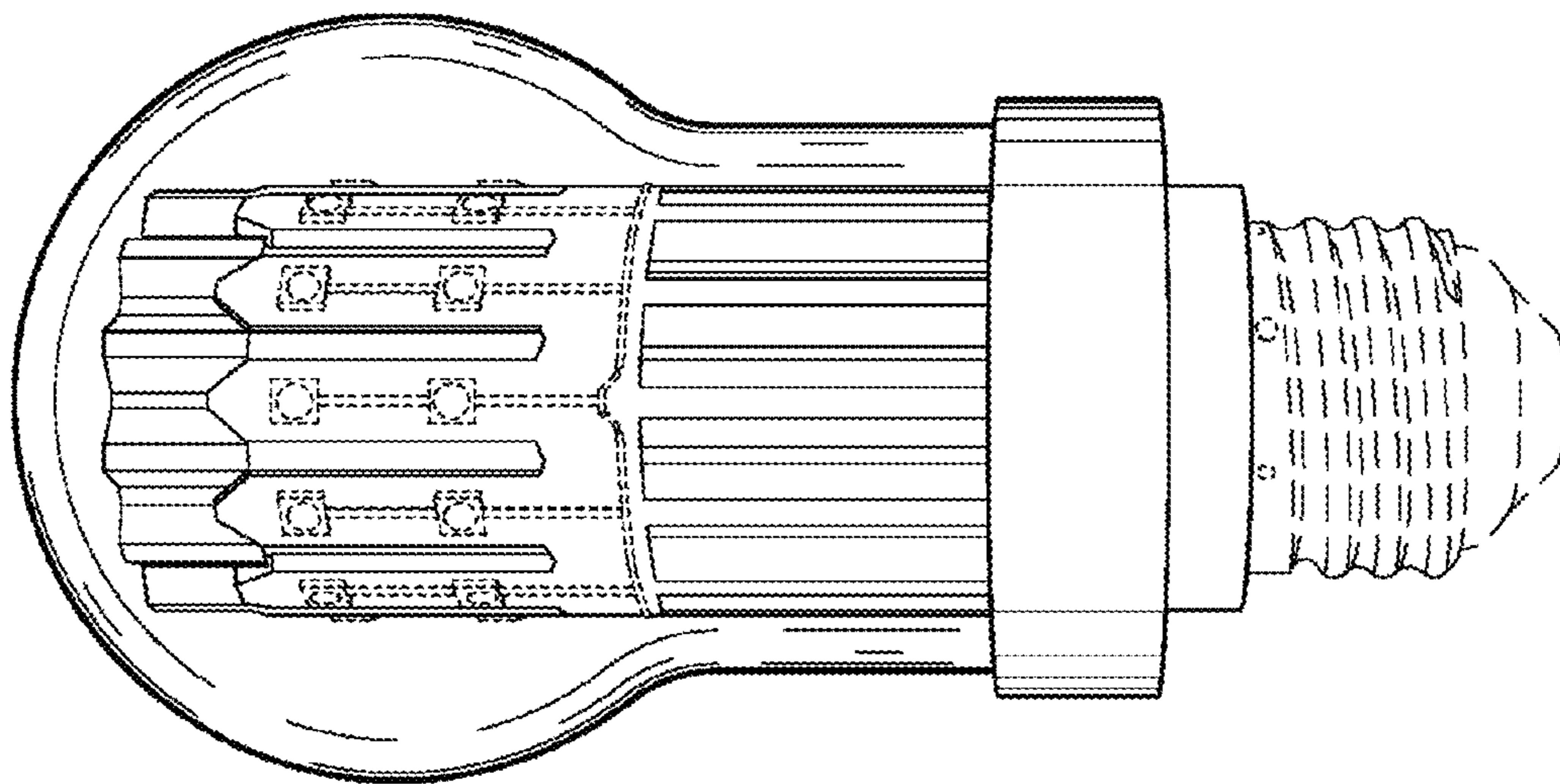


FIG. 12

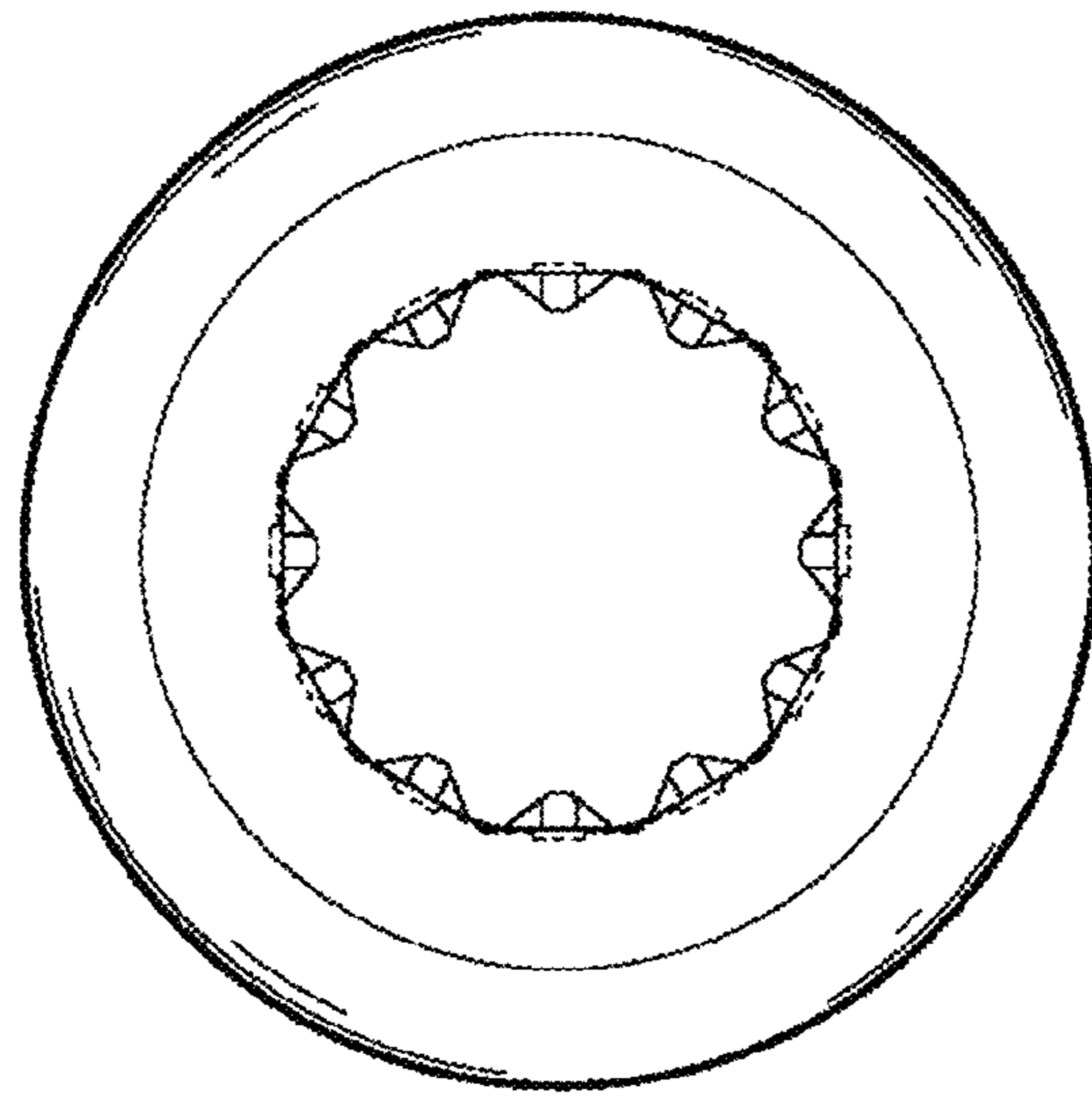


FIG. 13

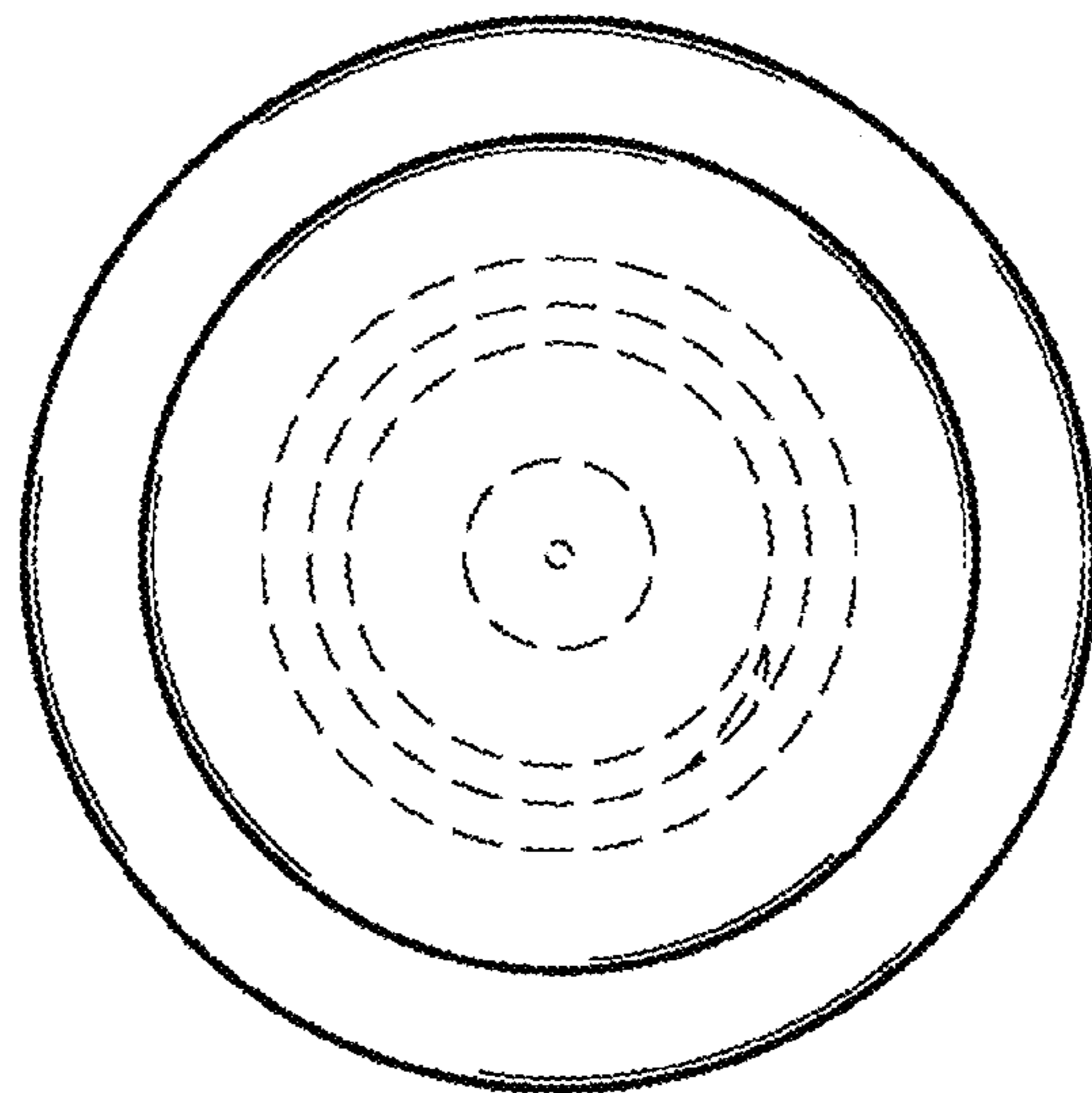


FIG. 14

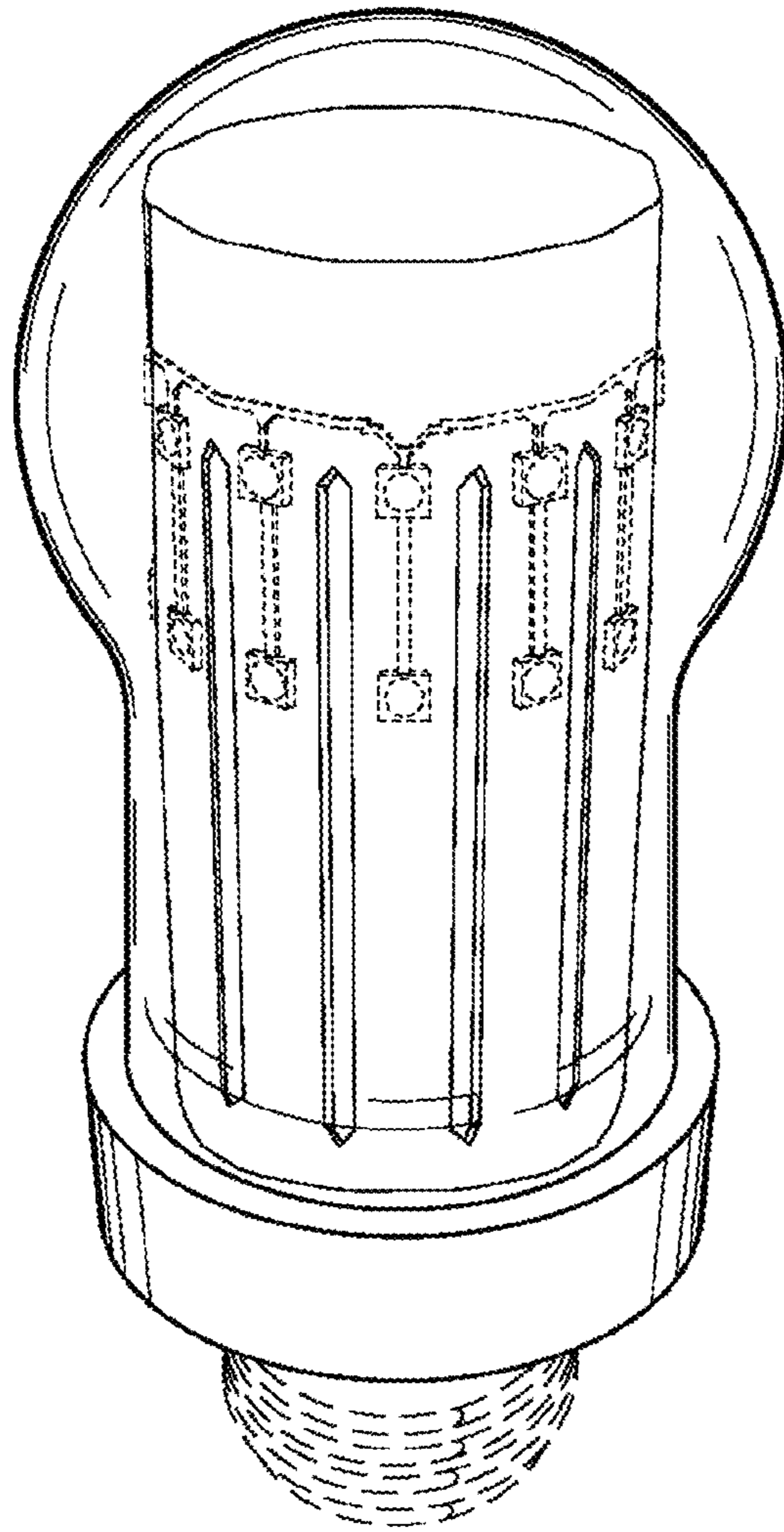


FIG. 15

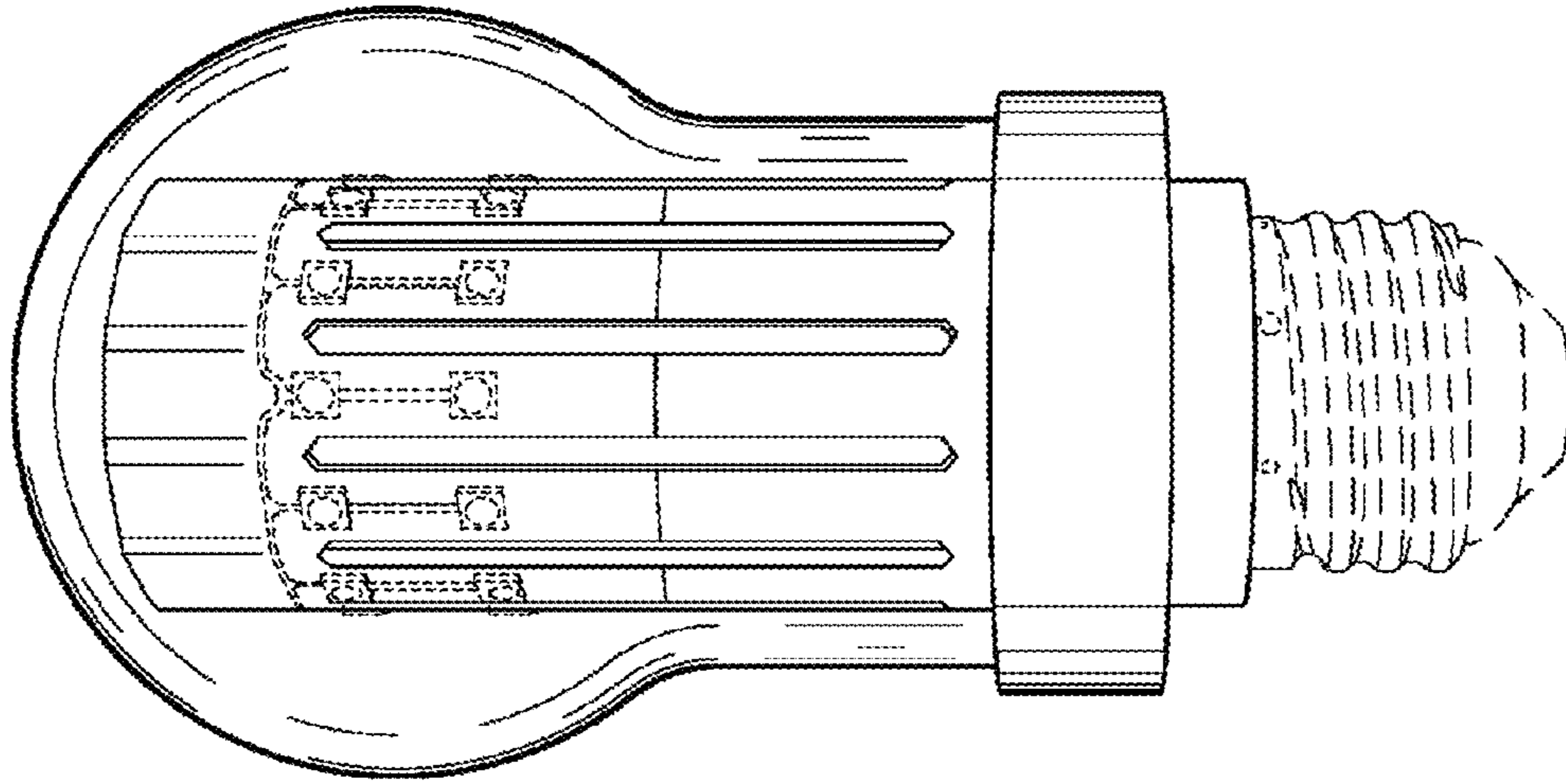


FIG. 16

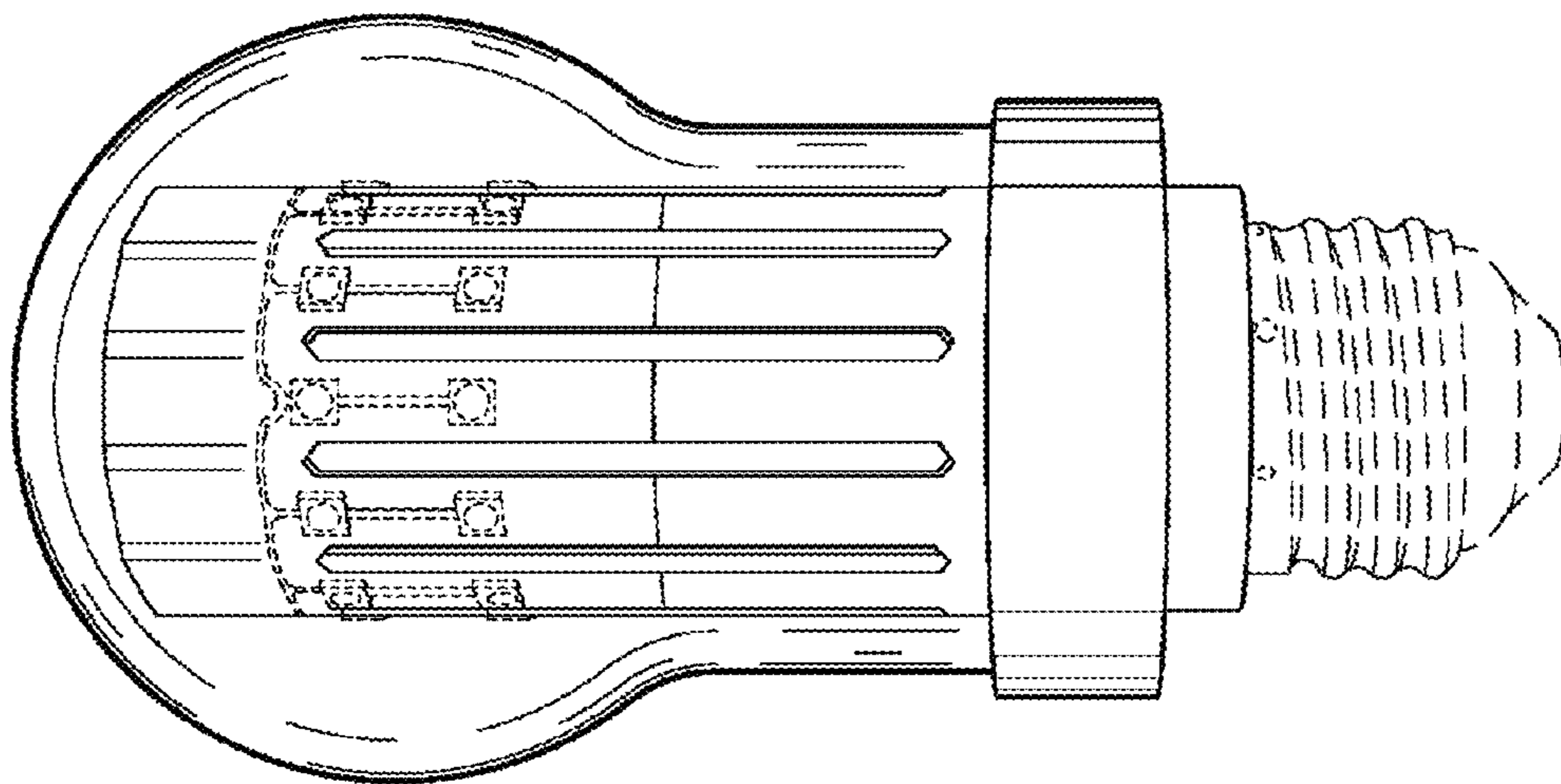


FIG. 17



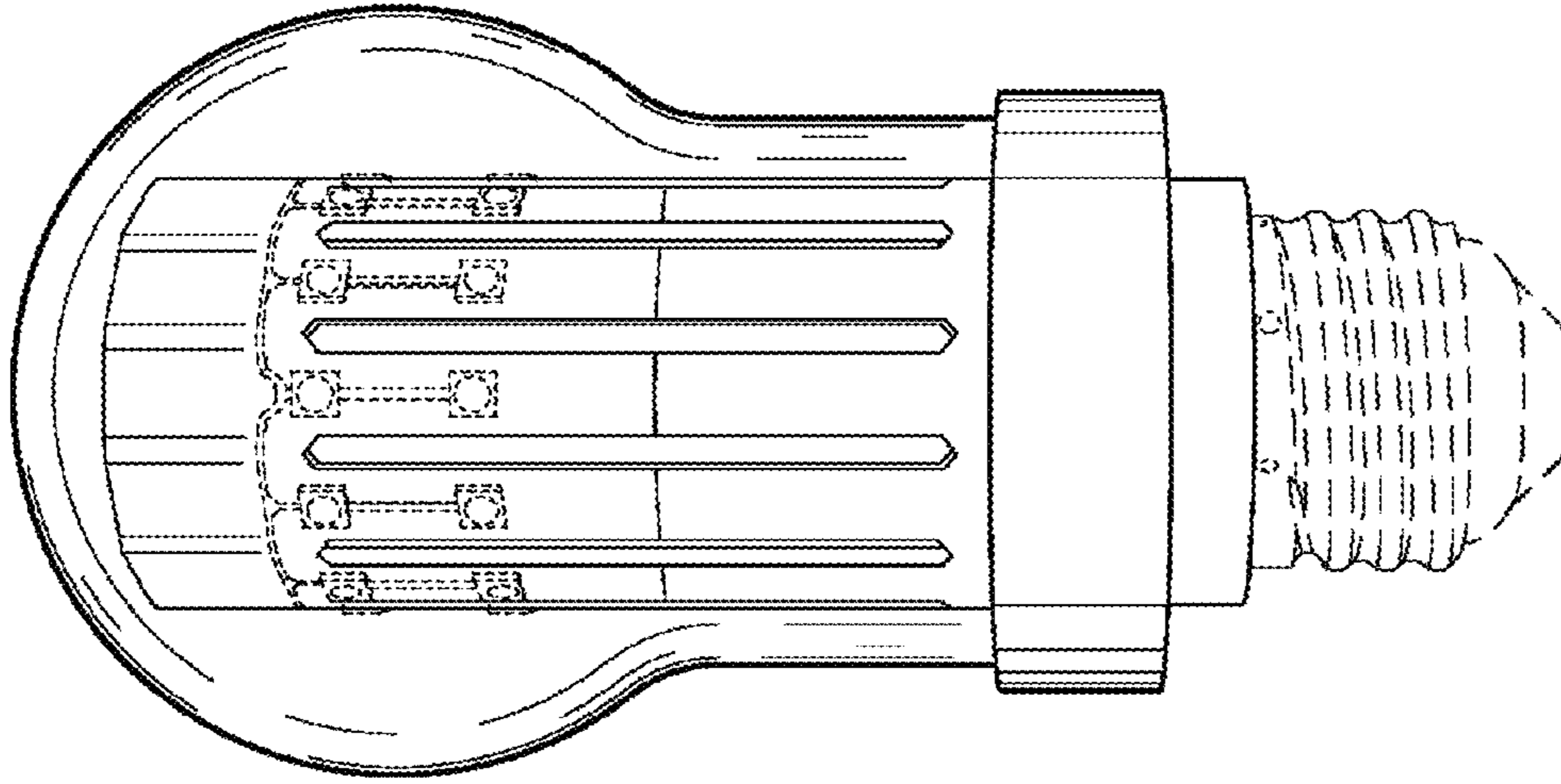


FIG. 18

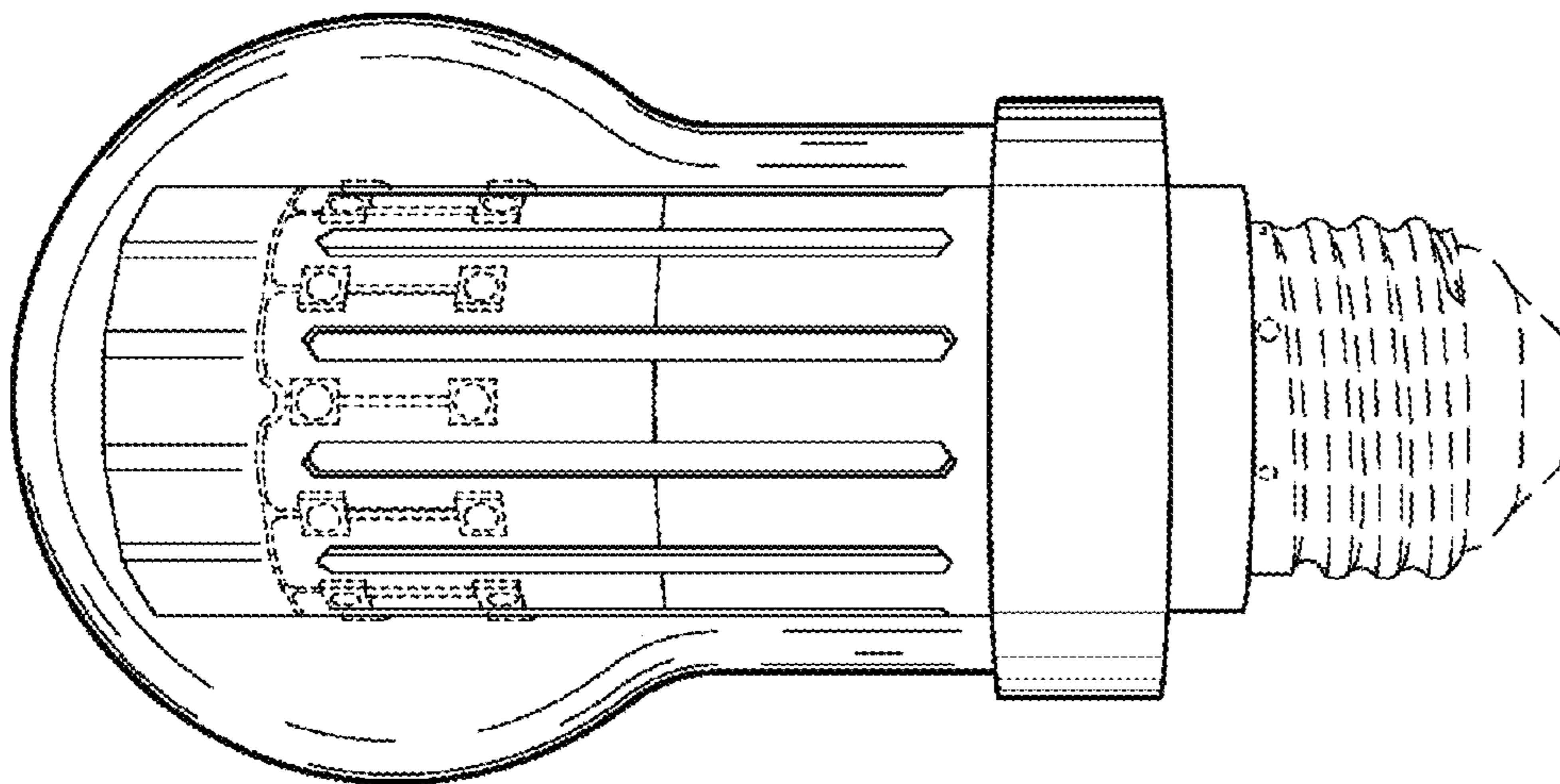


FIG. 19

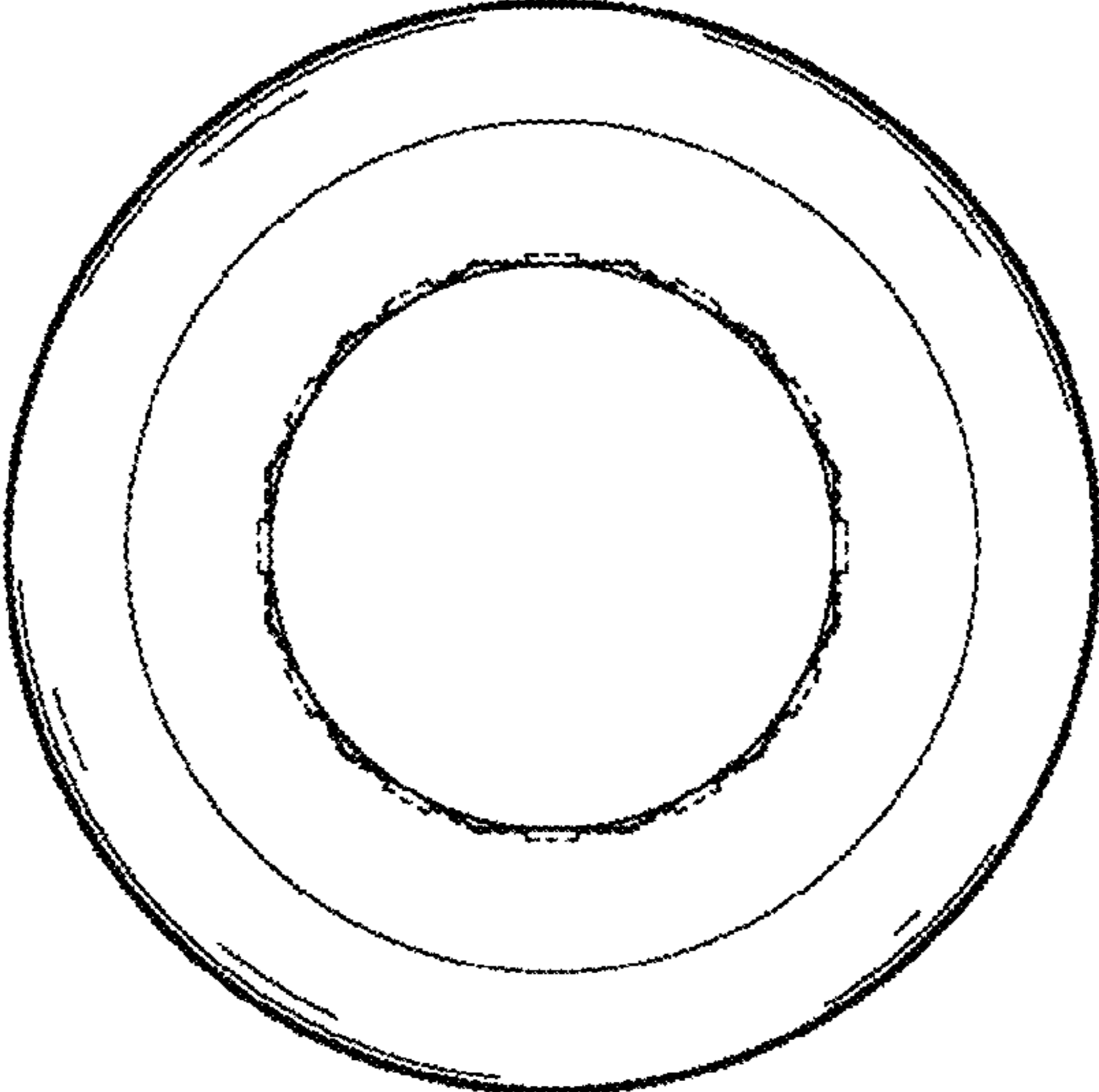


FIG. 20

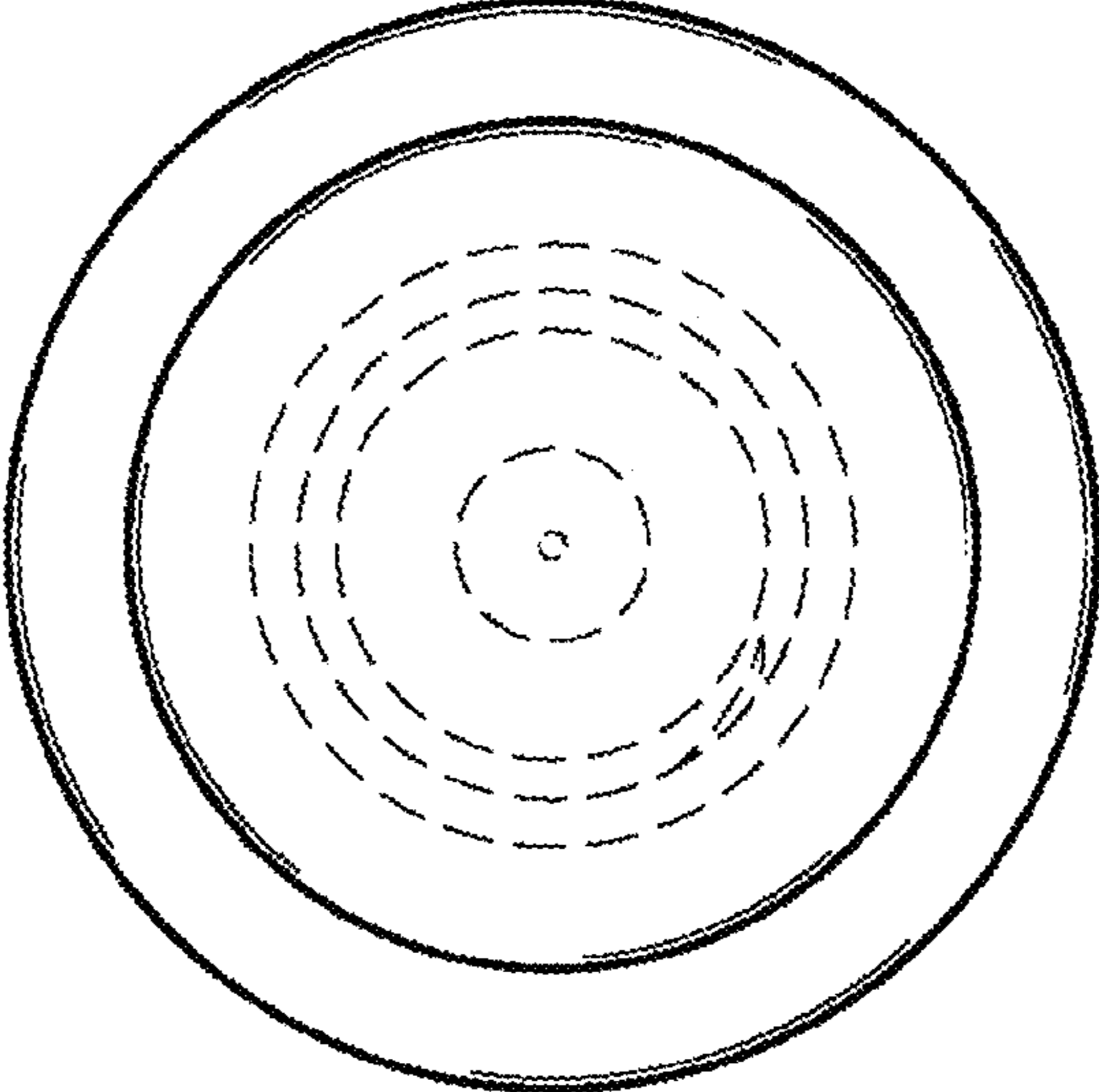


FIG. 21

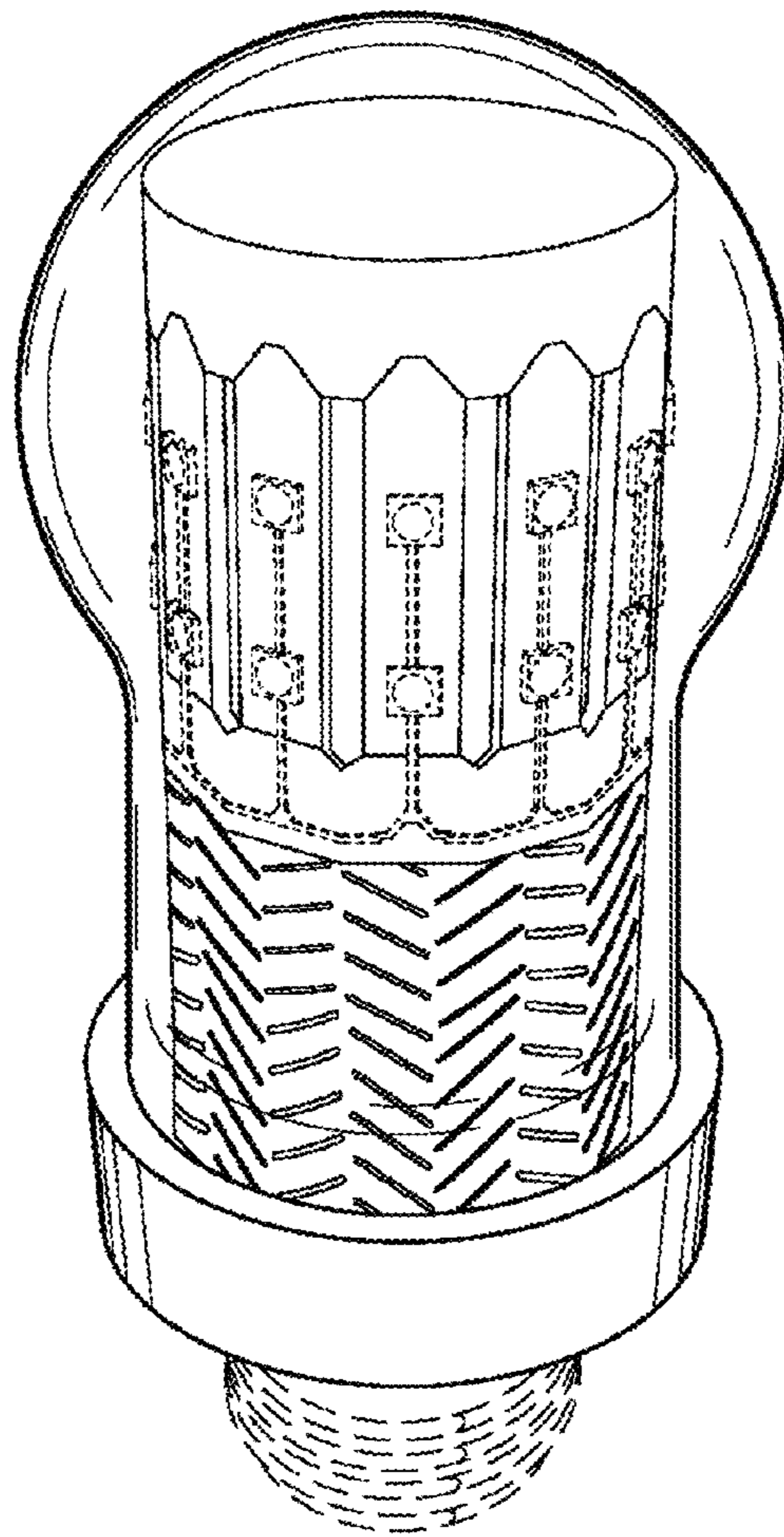


FIG. 22

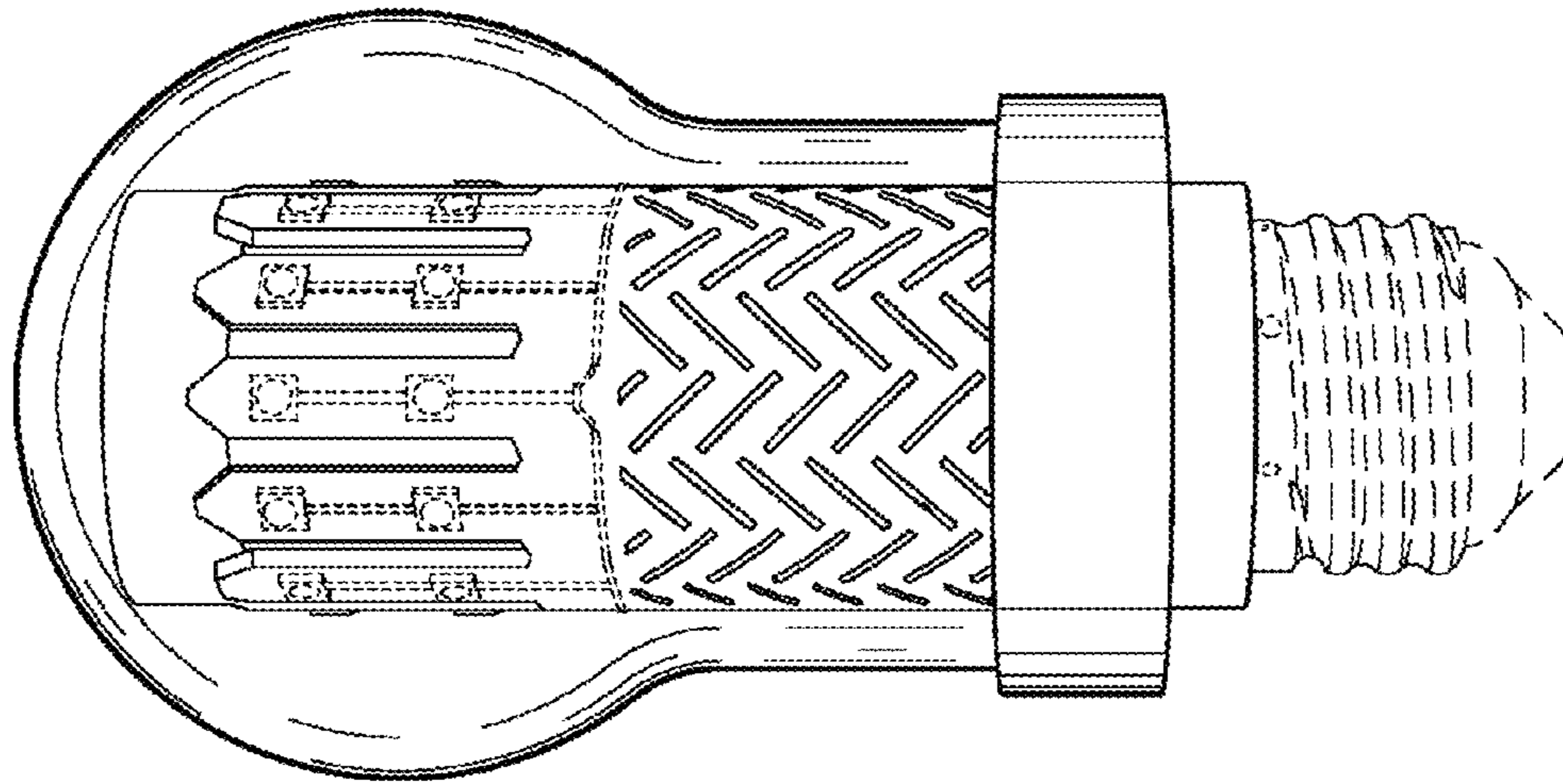


FIG. 23

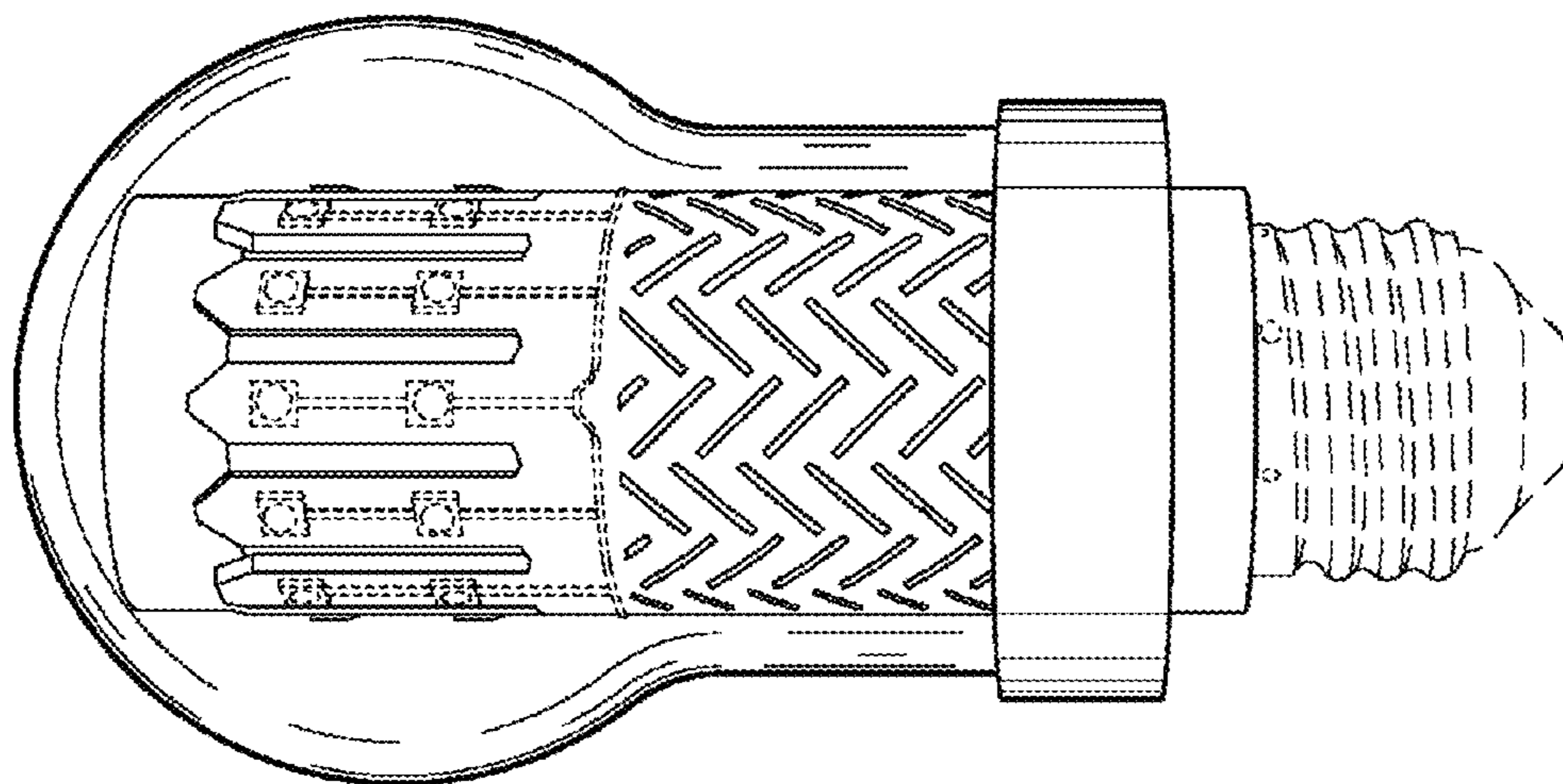


FIG. 24



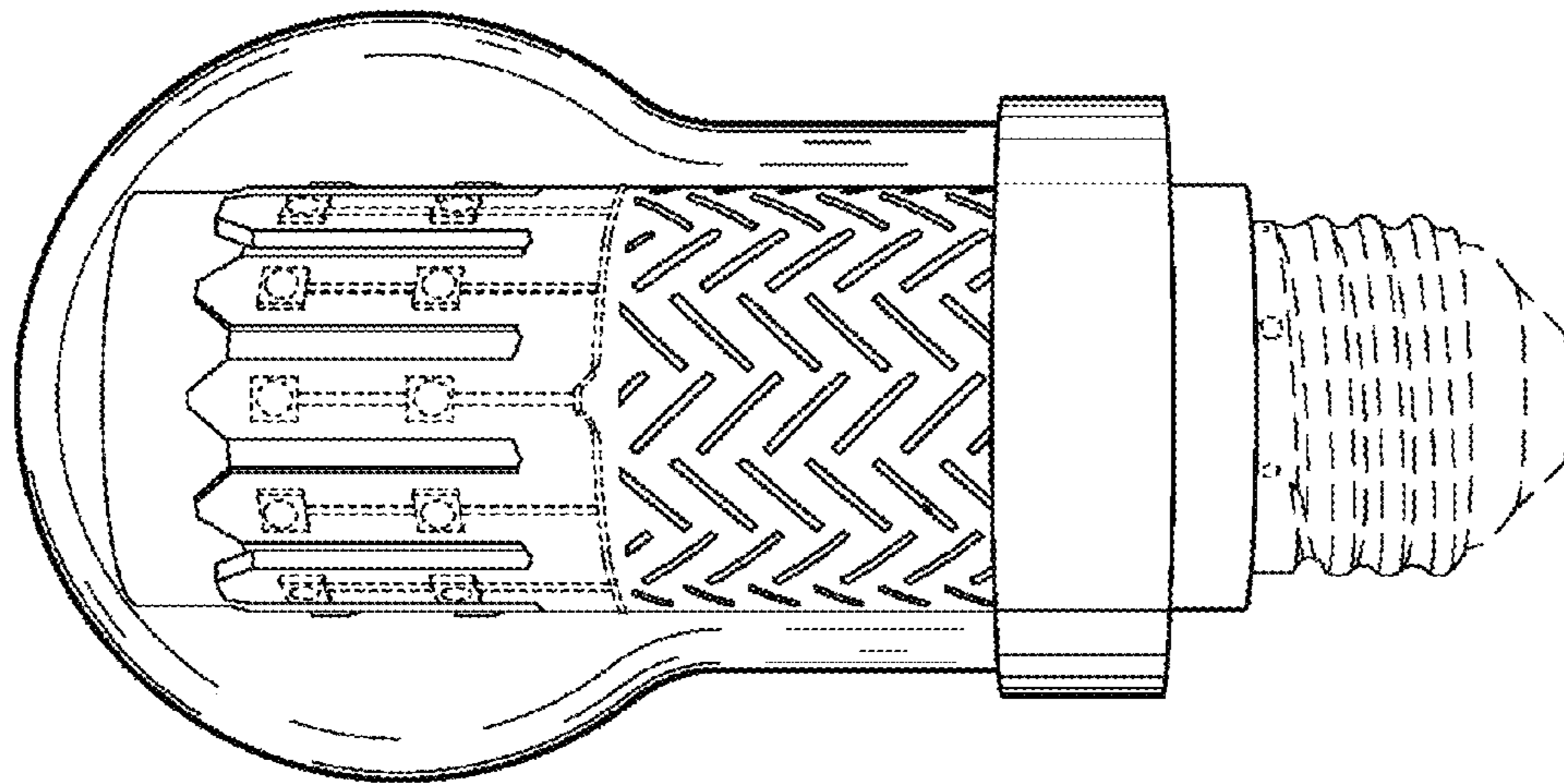


FIG. 25

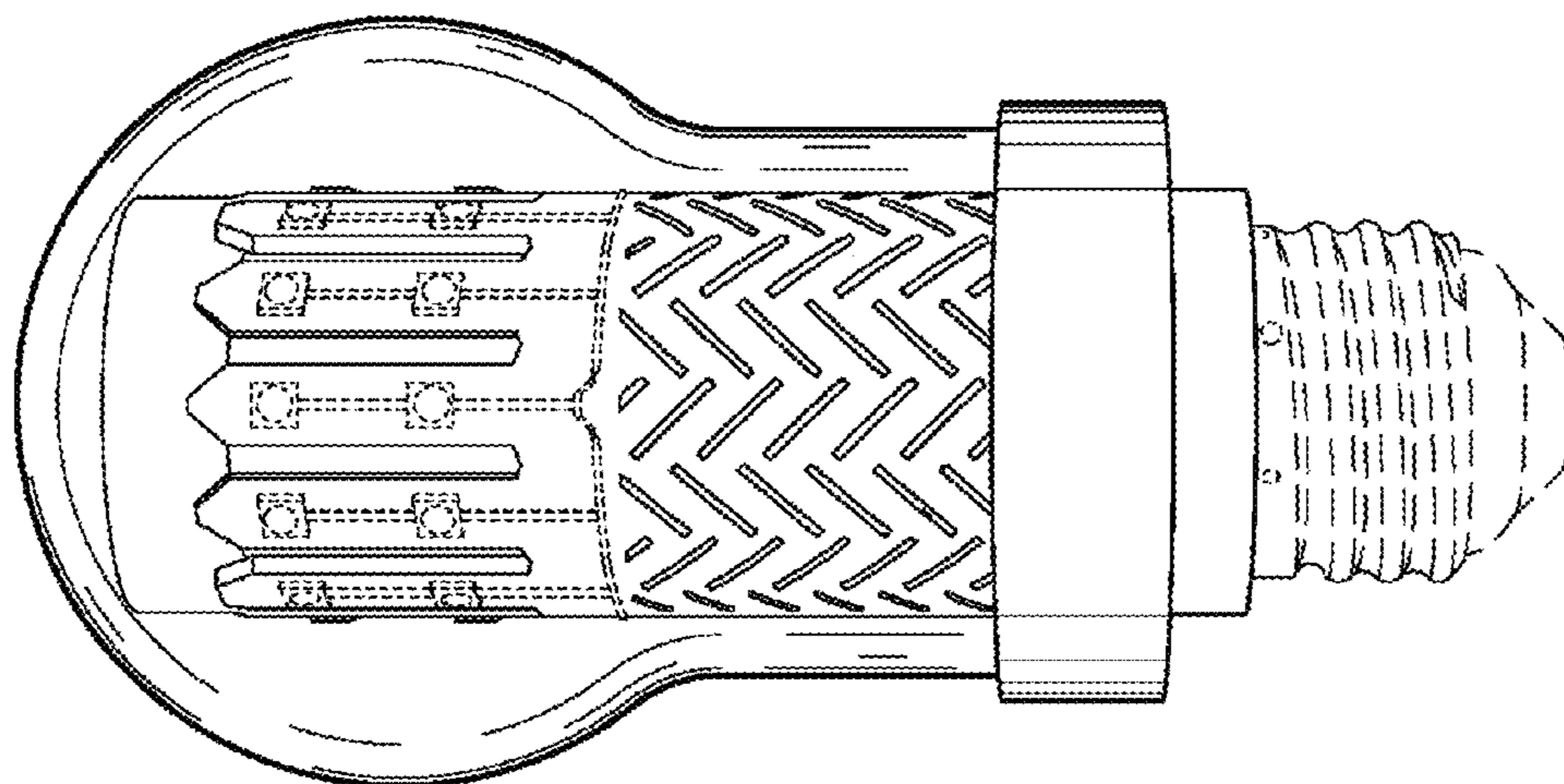


FIG. 26

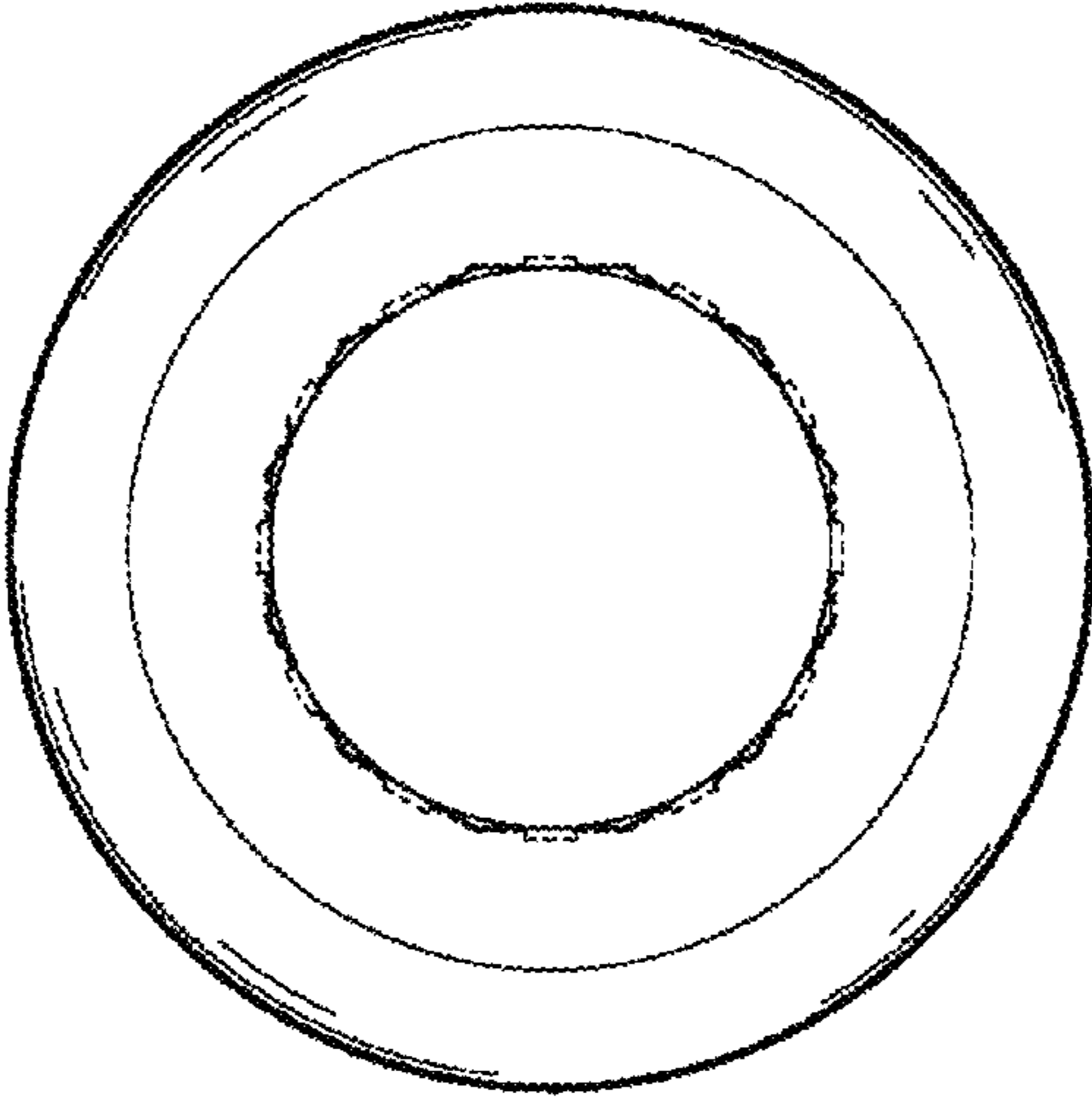


FIG. 27

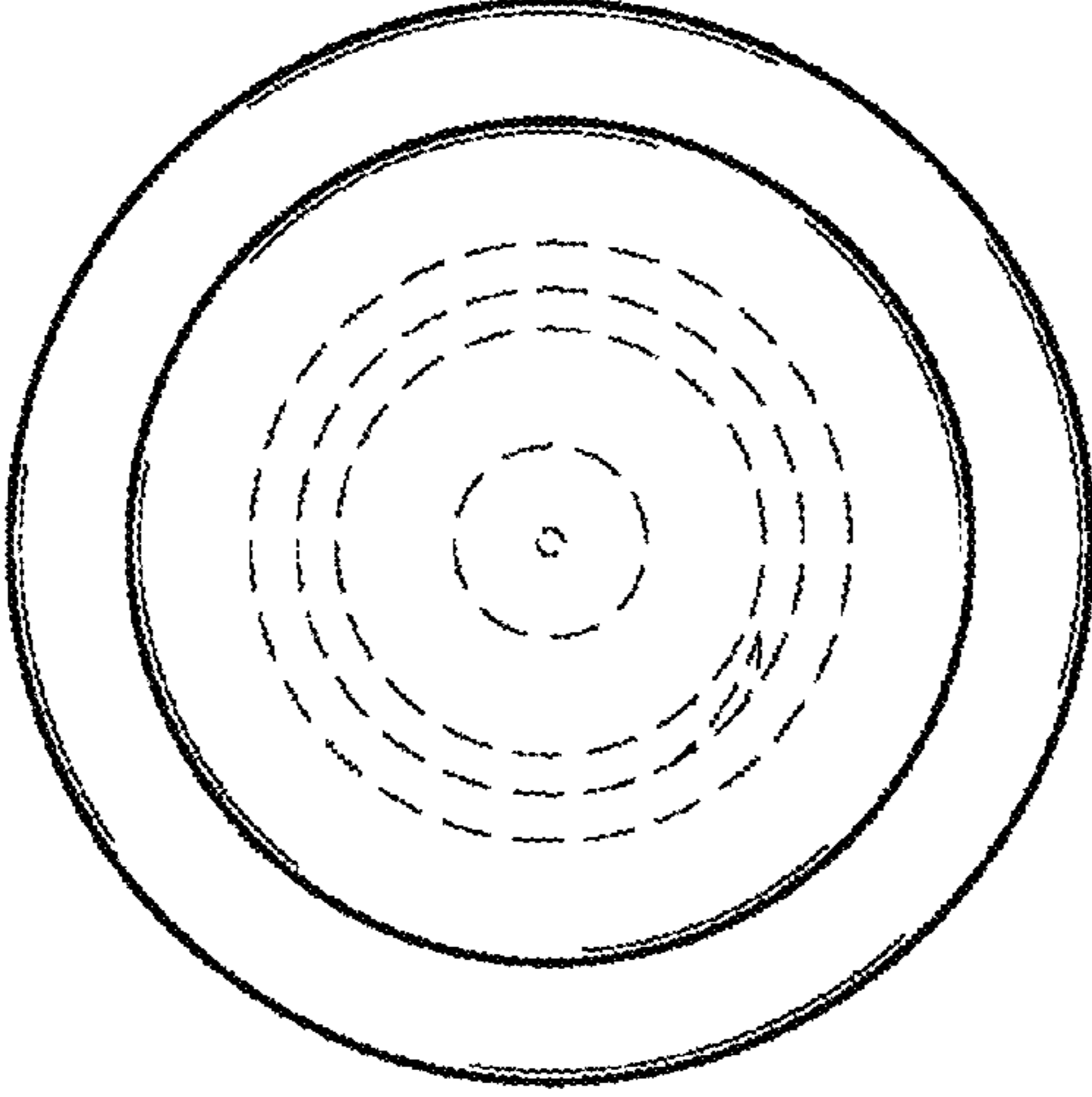


FIG. 28

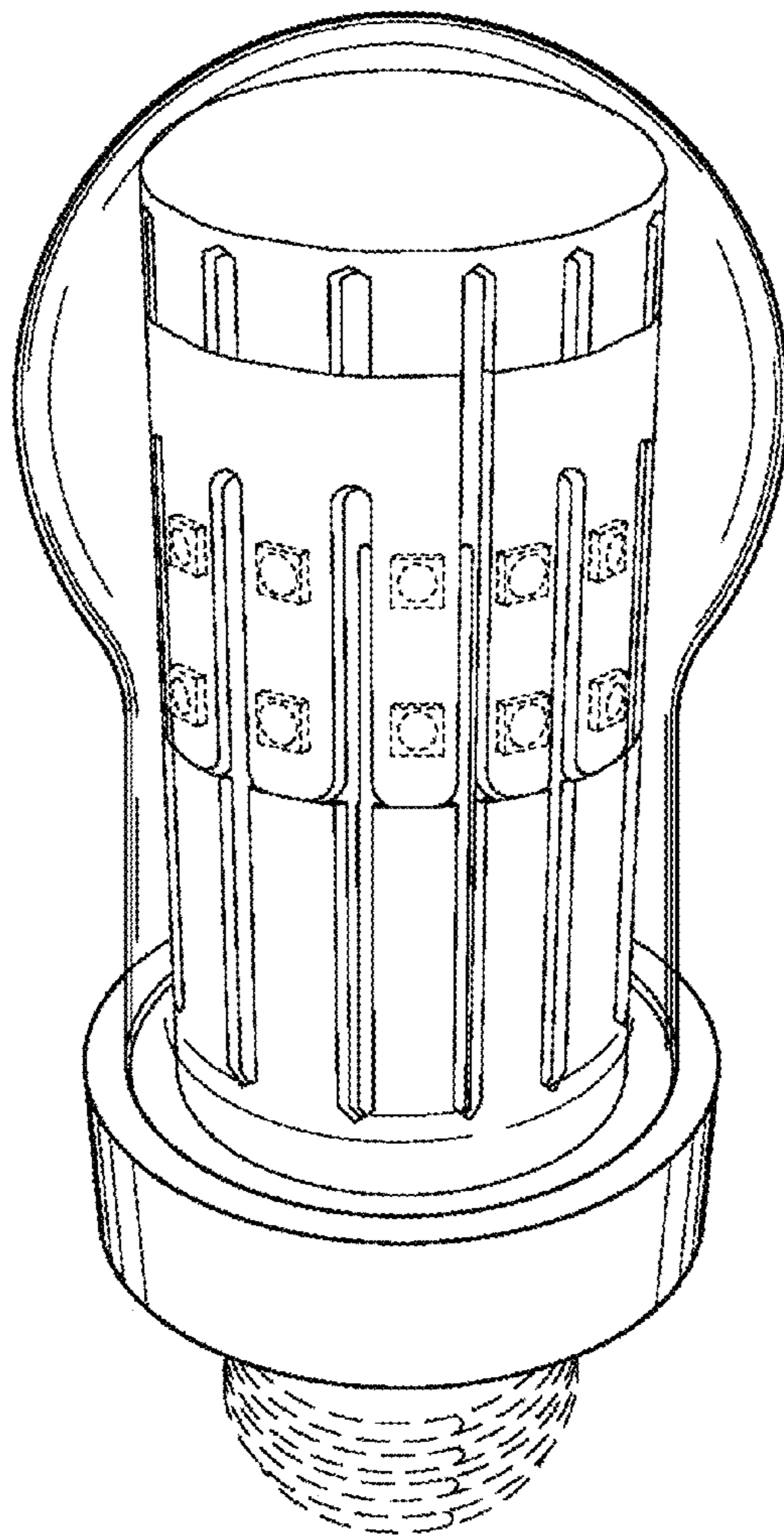


FIG. 29

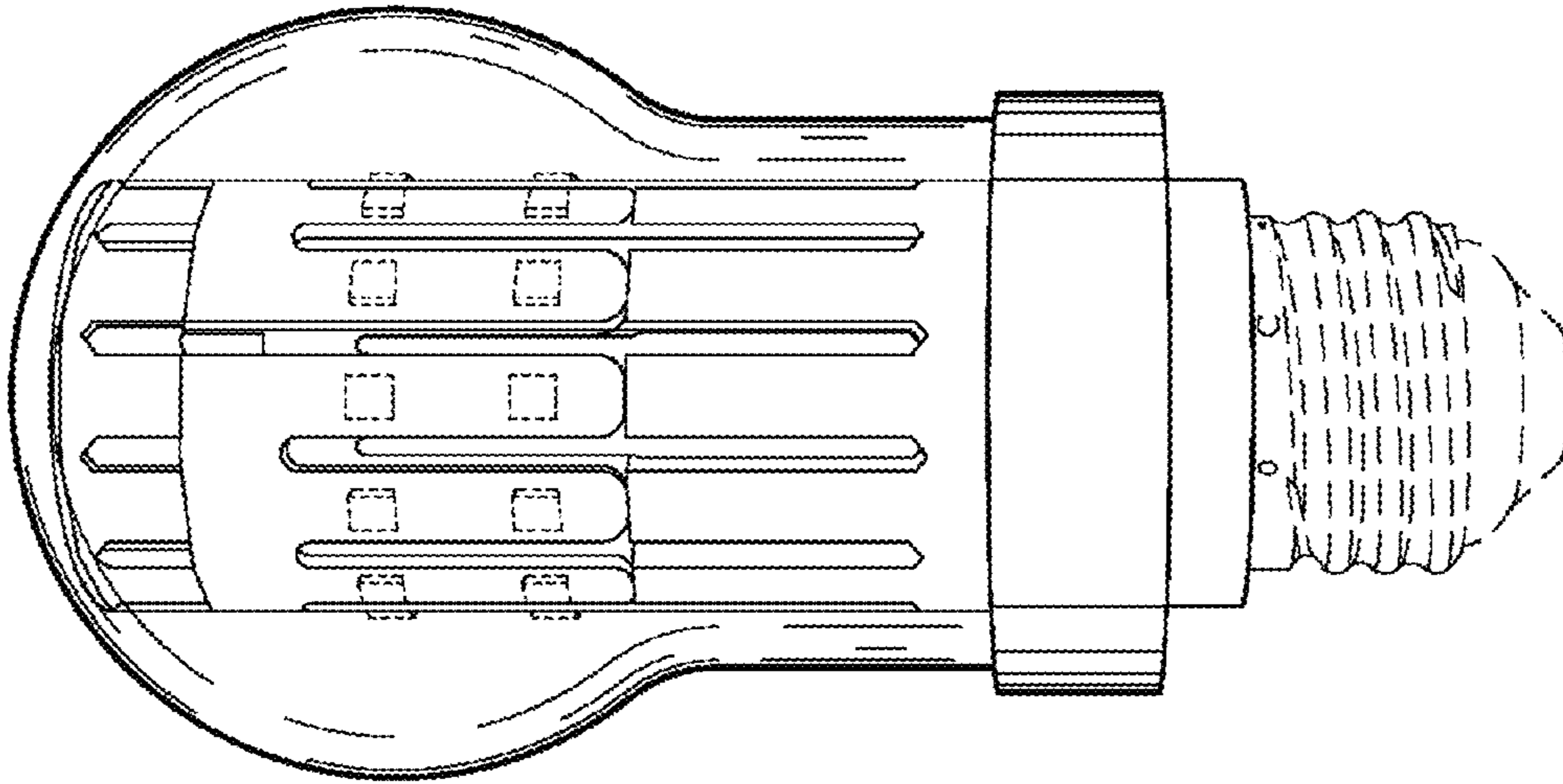


FIG. 30

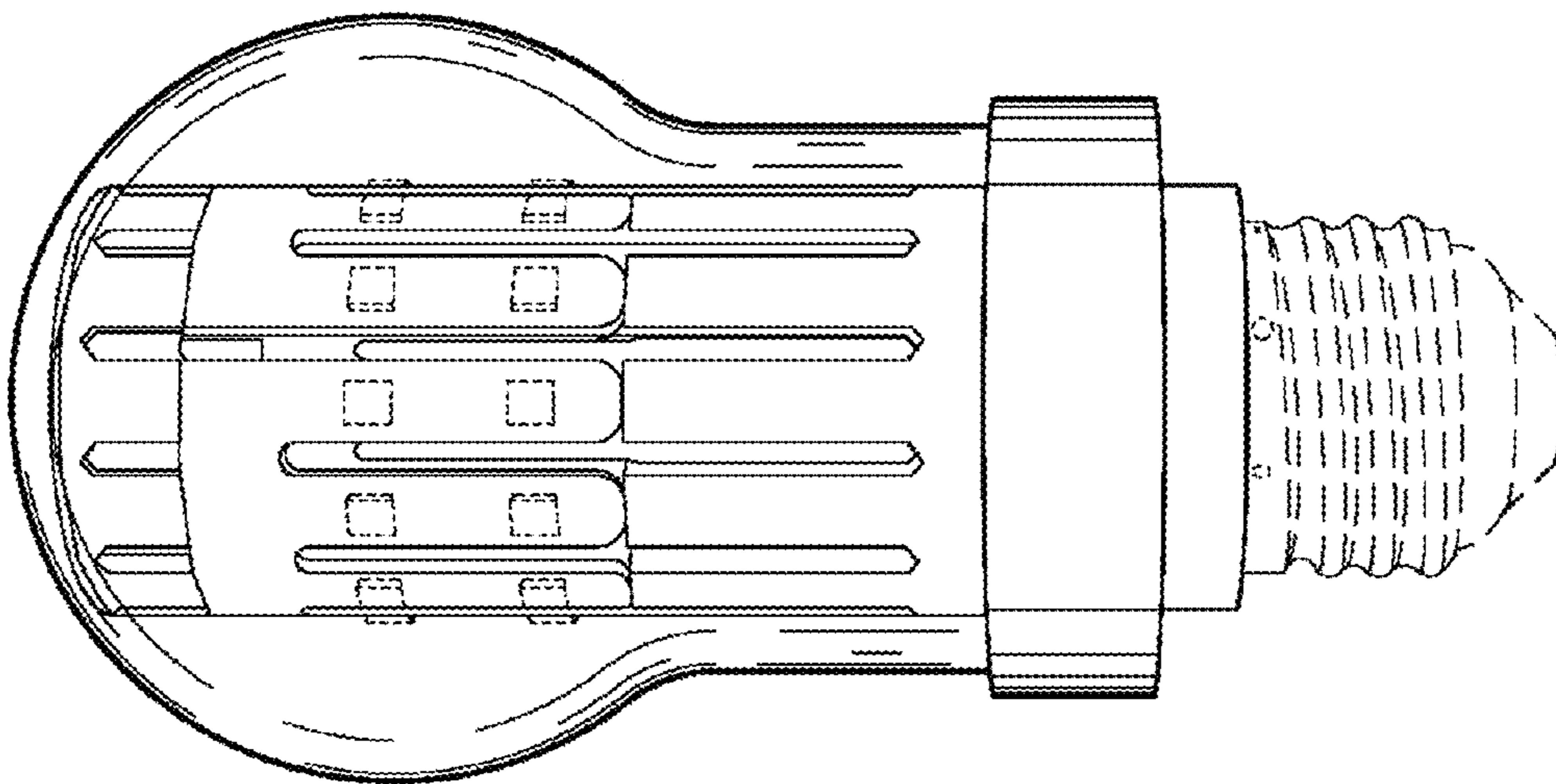


FIG. 31



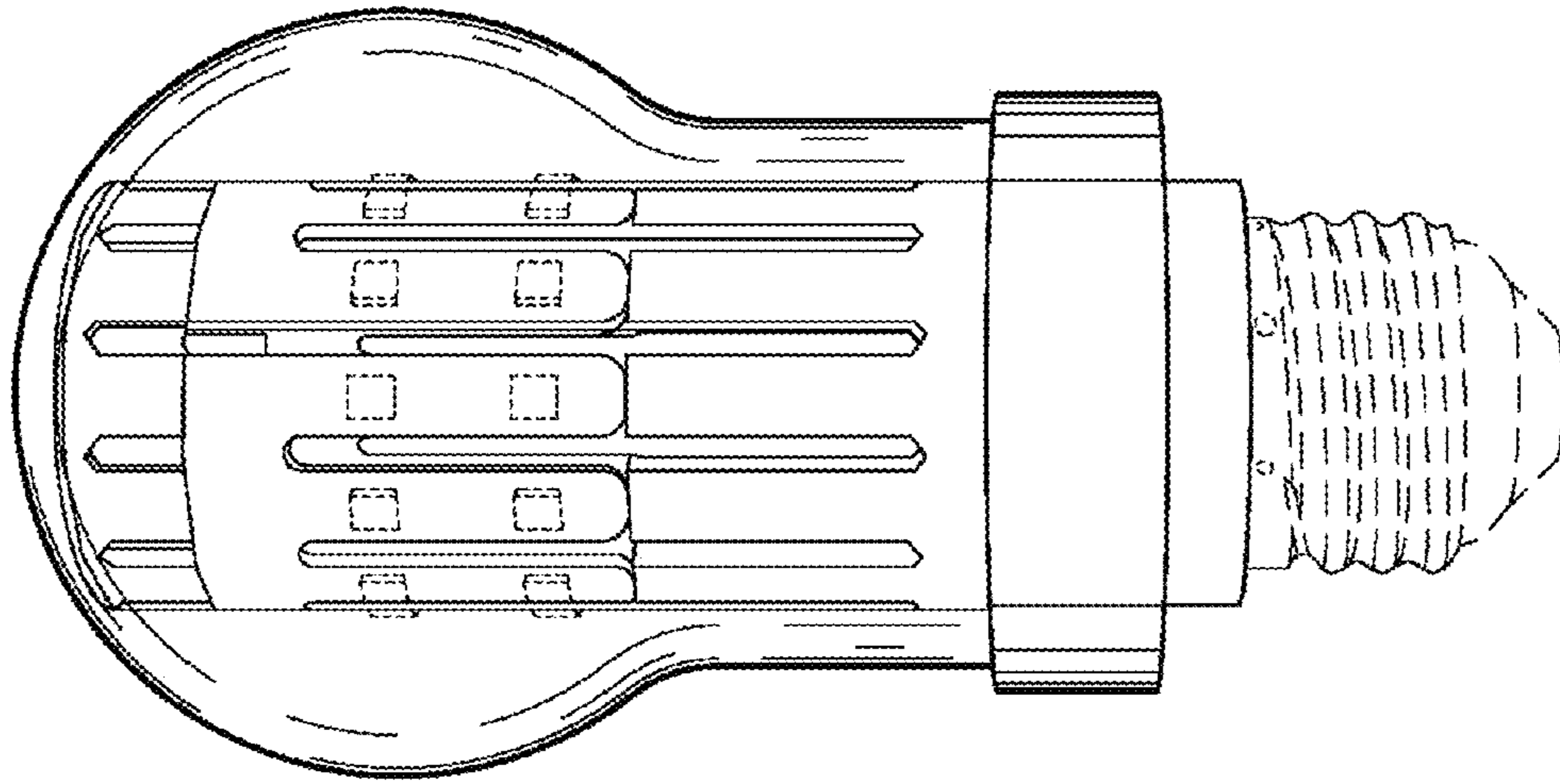


FIG. 32

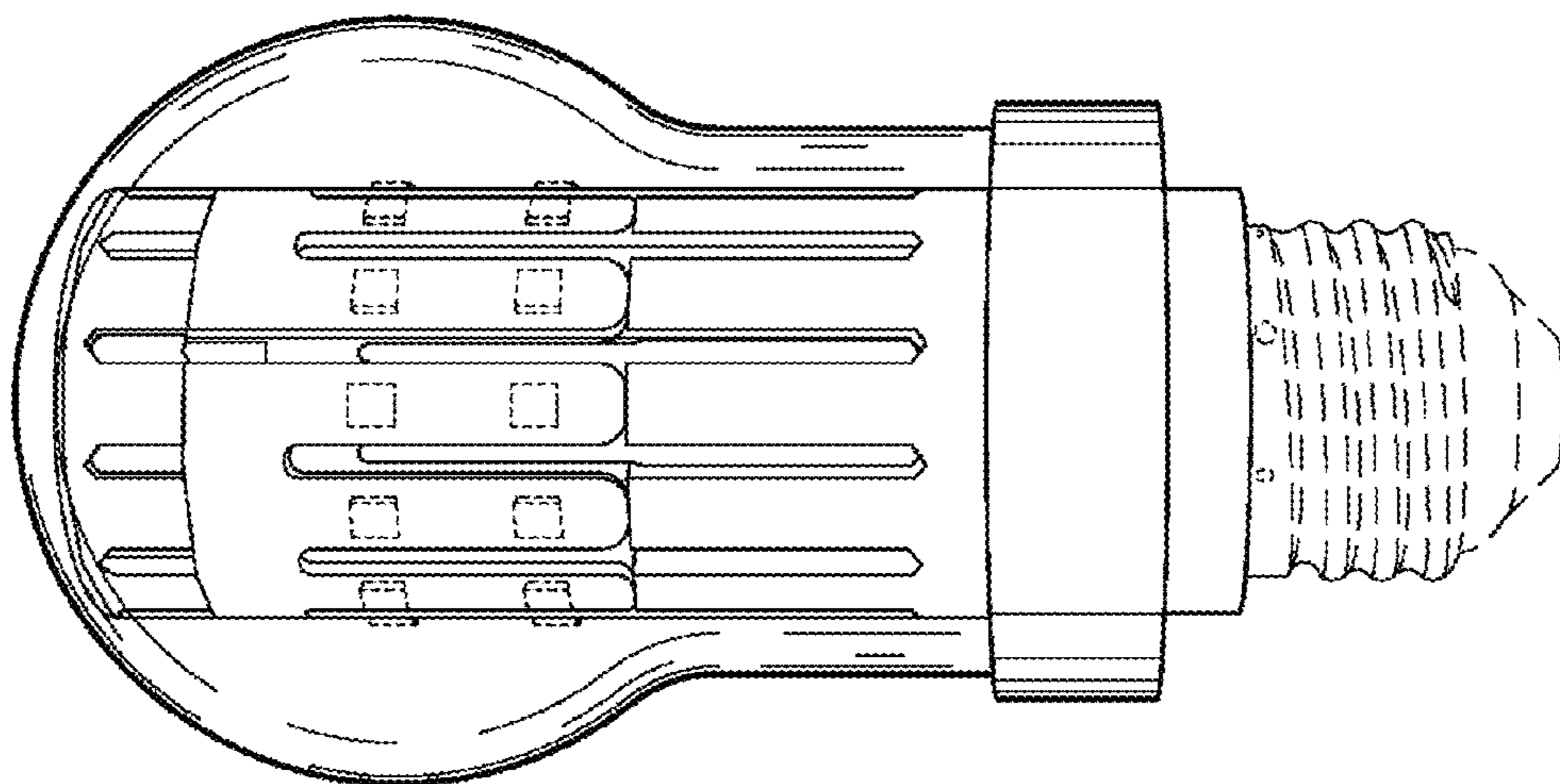


FIG. 33

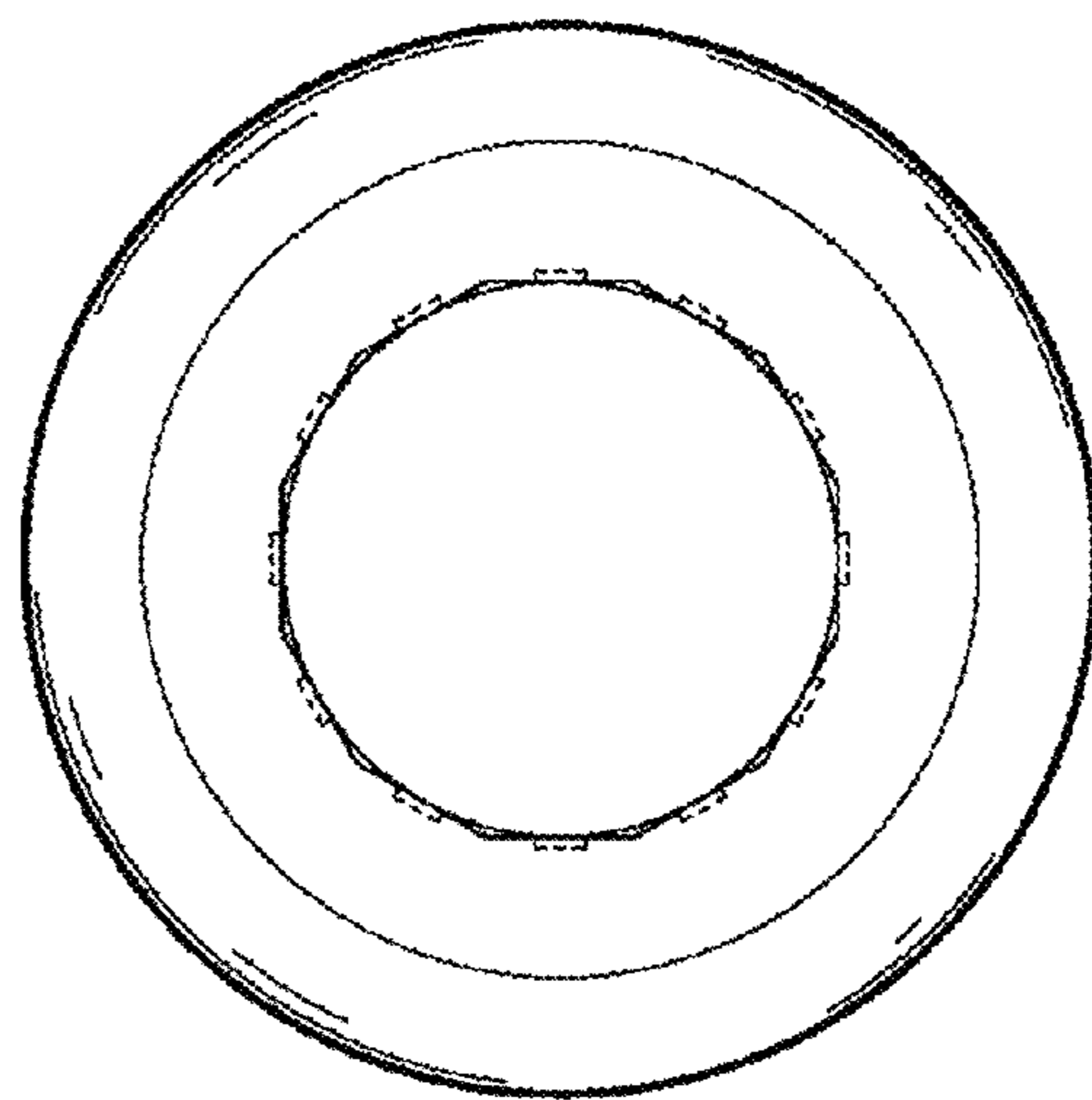


FIG. 34

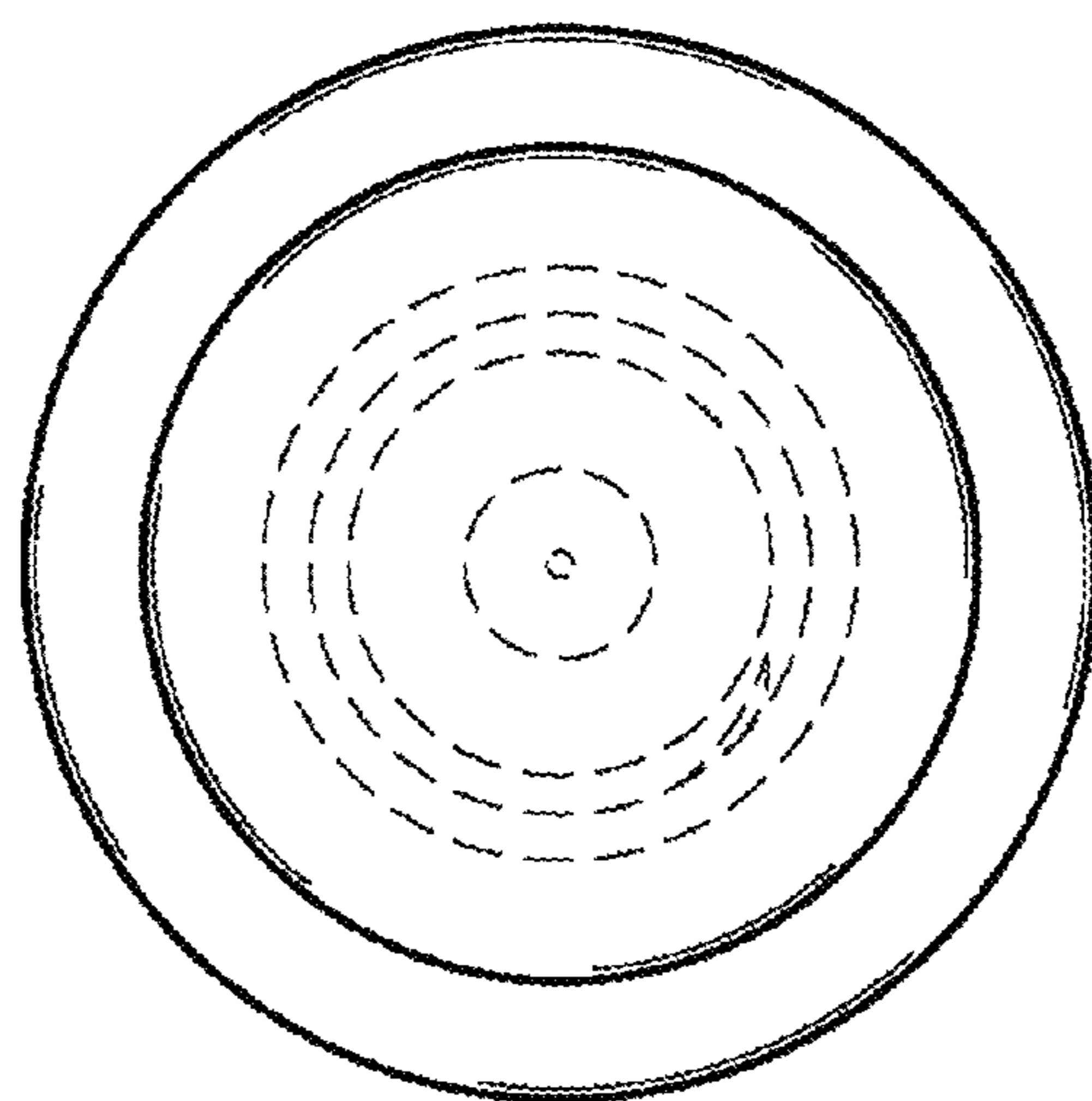


FIG. 35

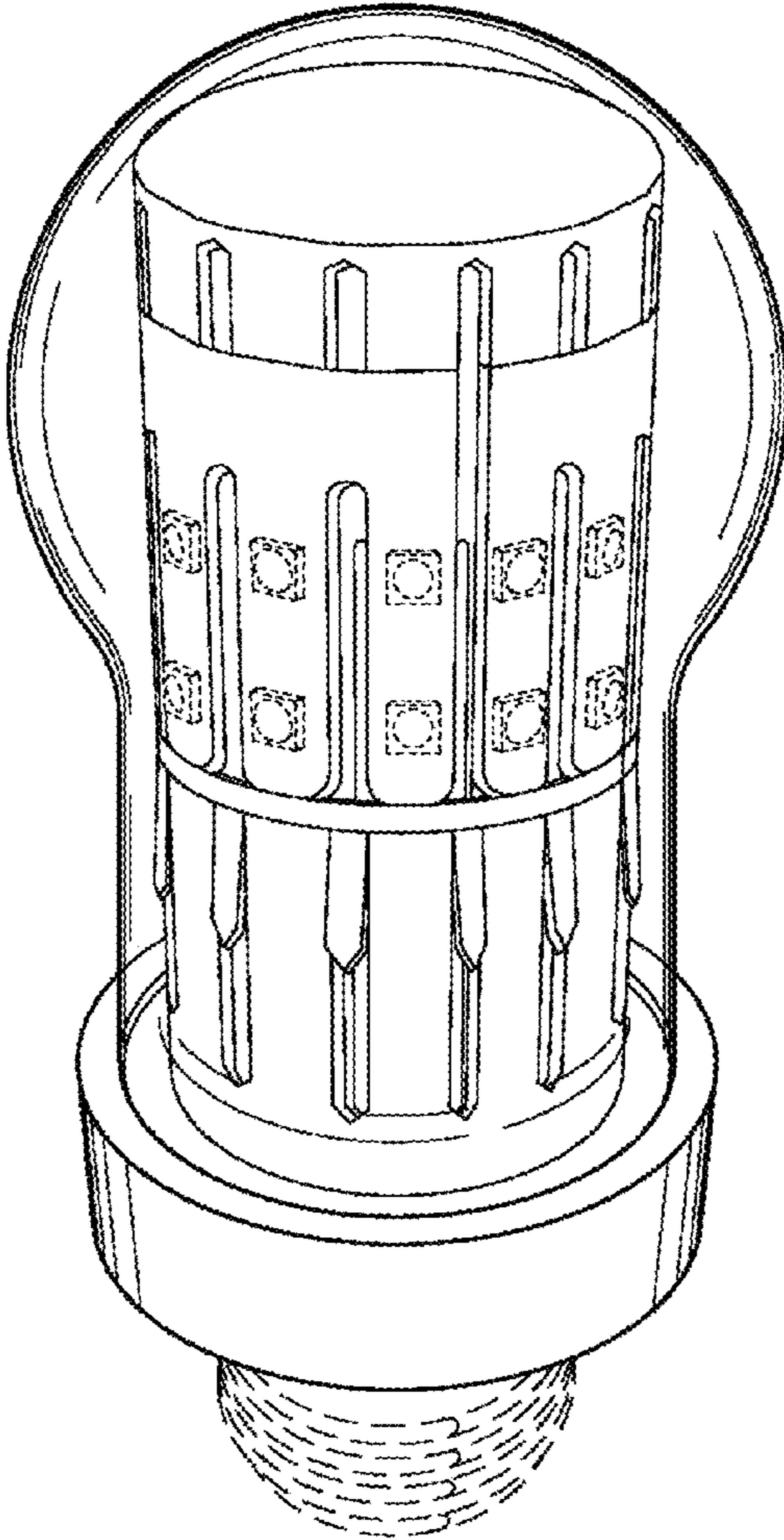


FIG. 36

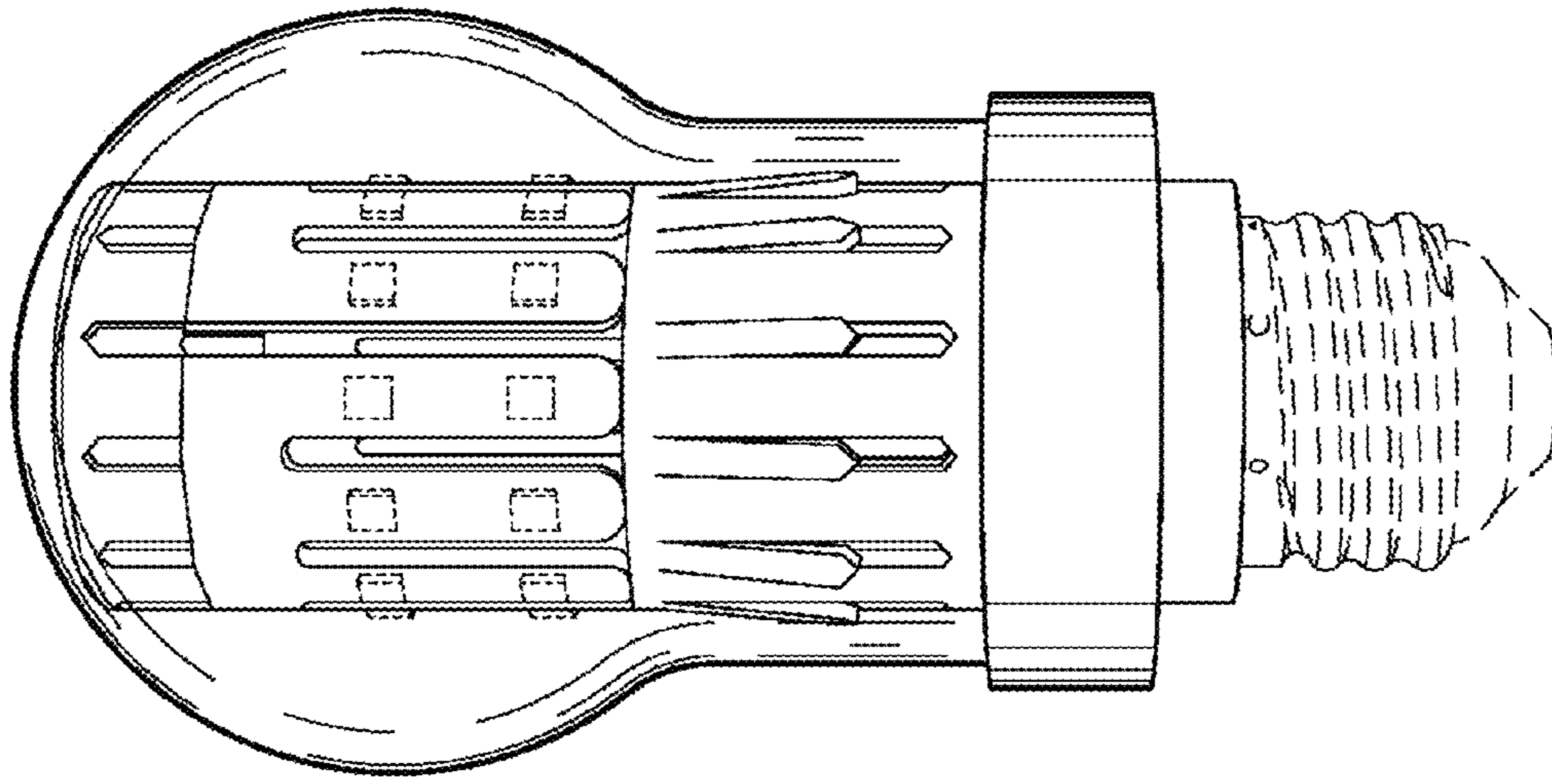


FIG. 37

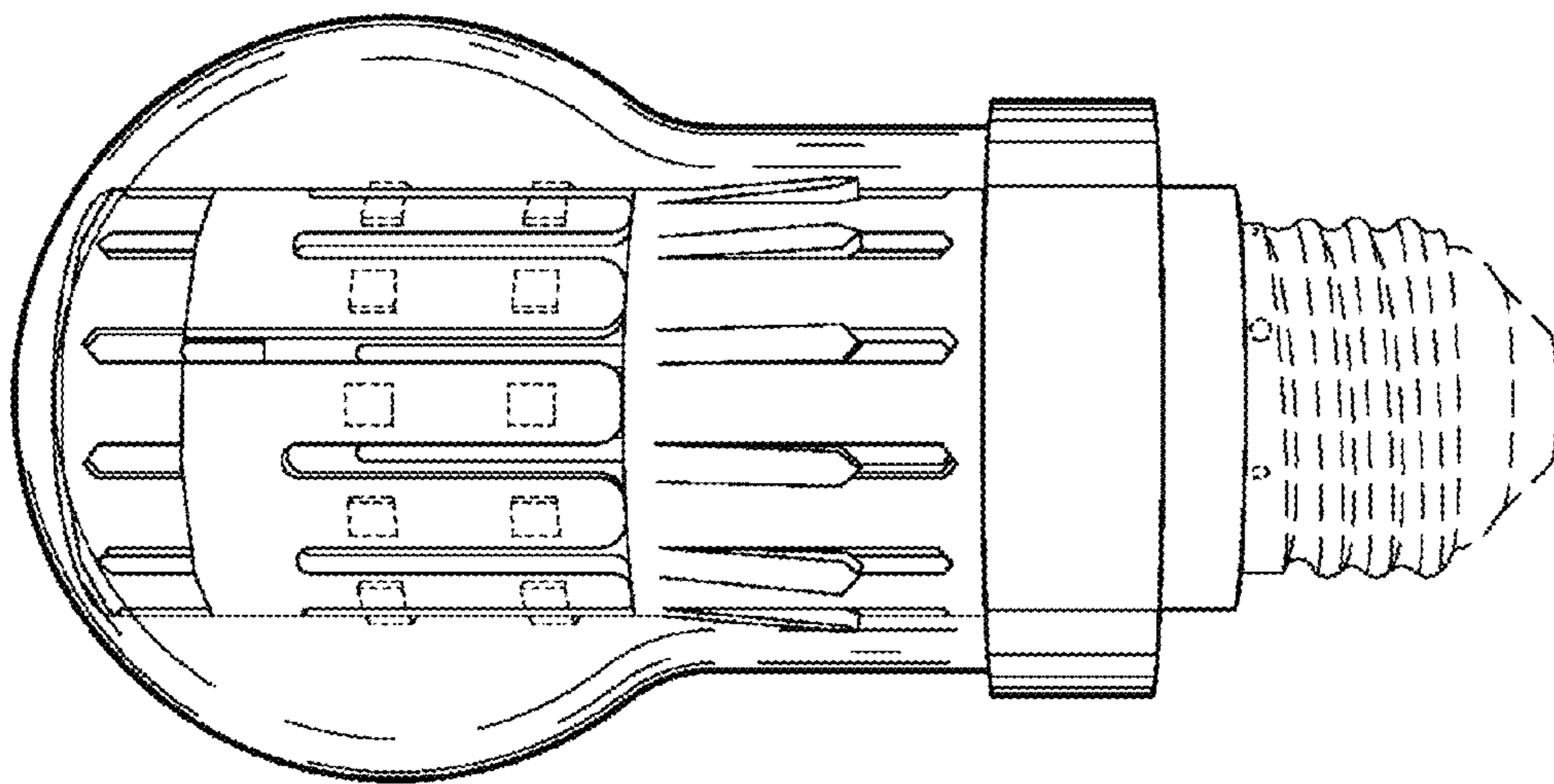


FIG. 38



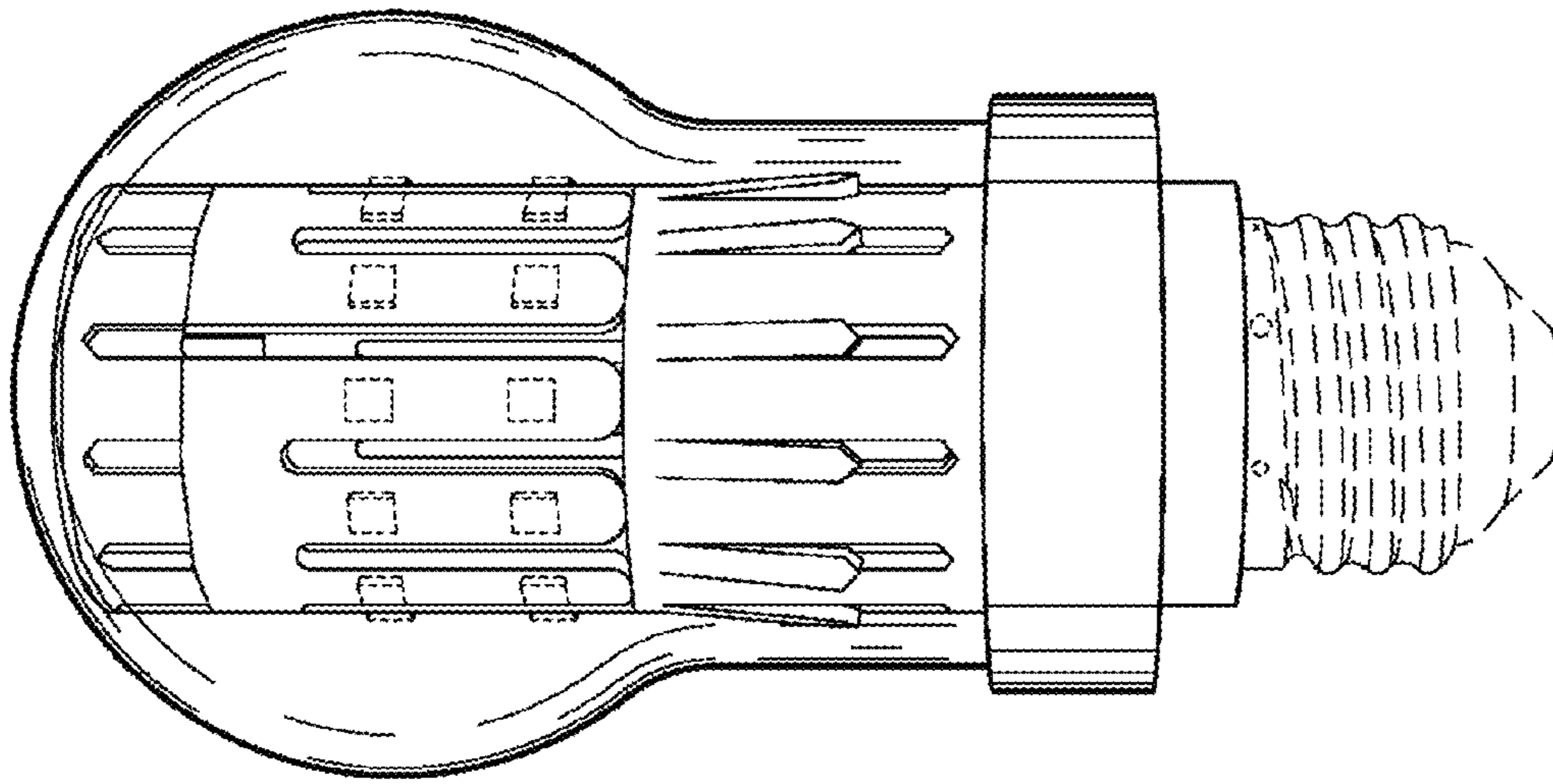


FIG. 39

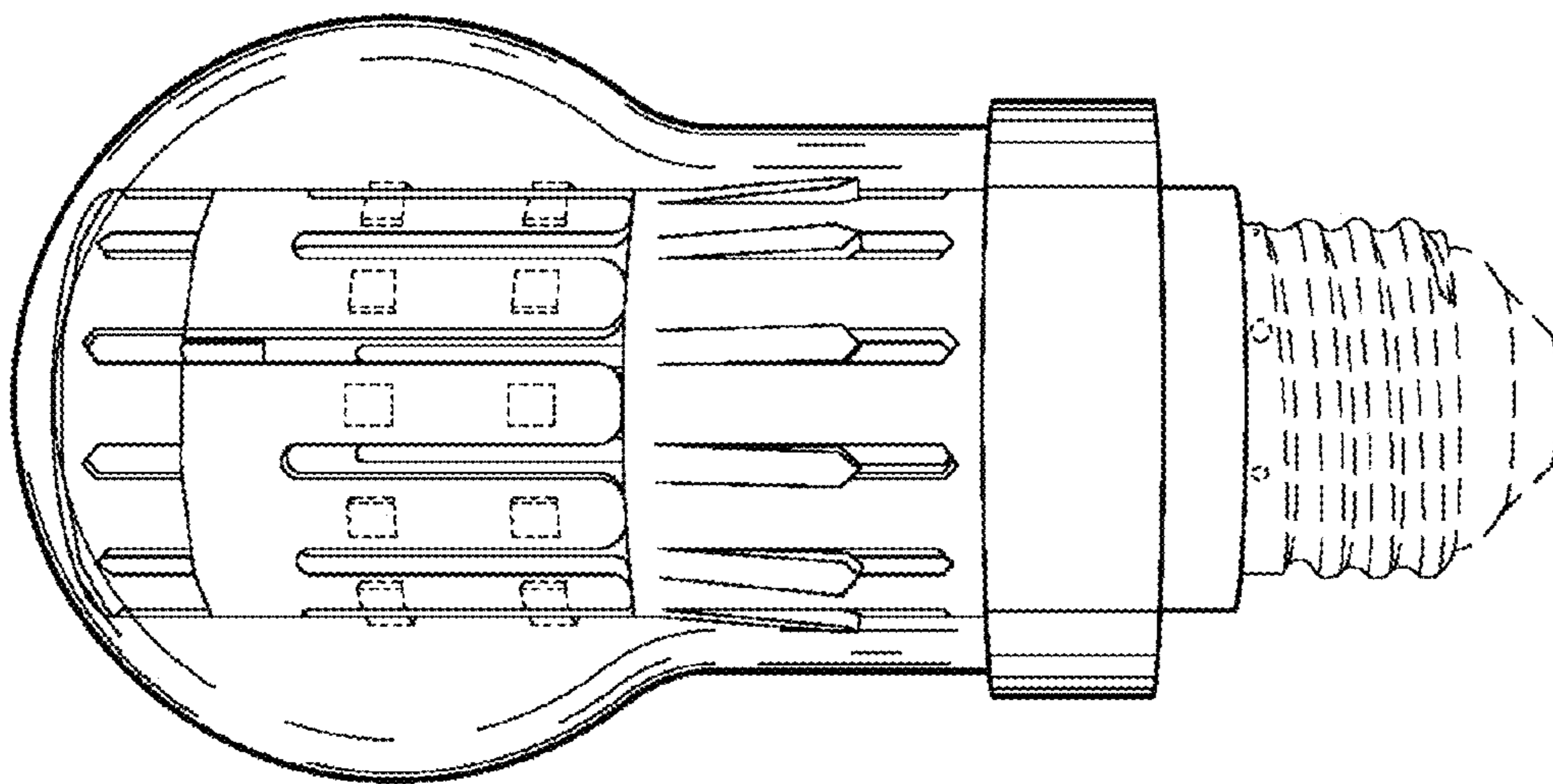


FIG. 40

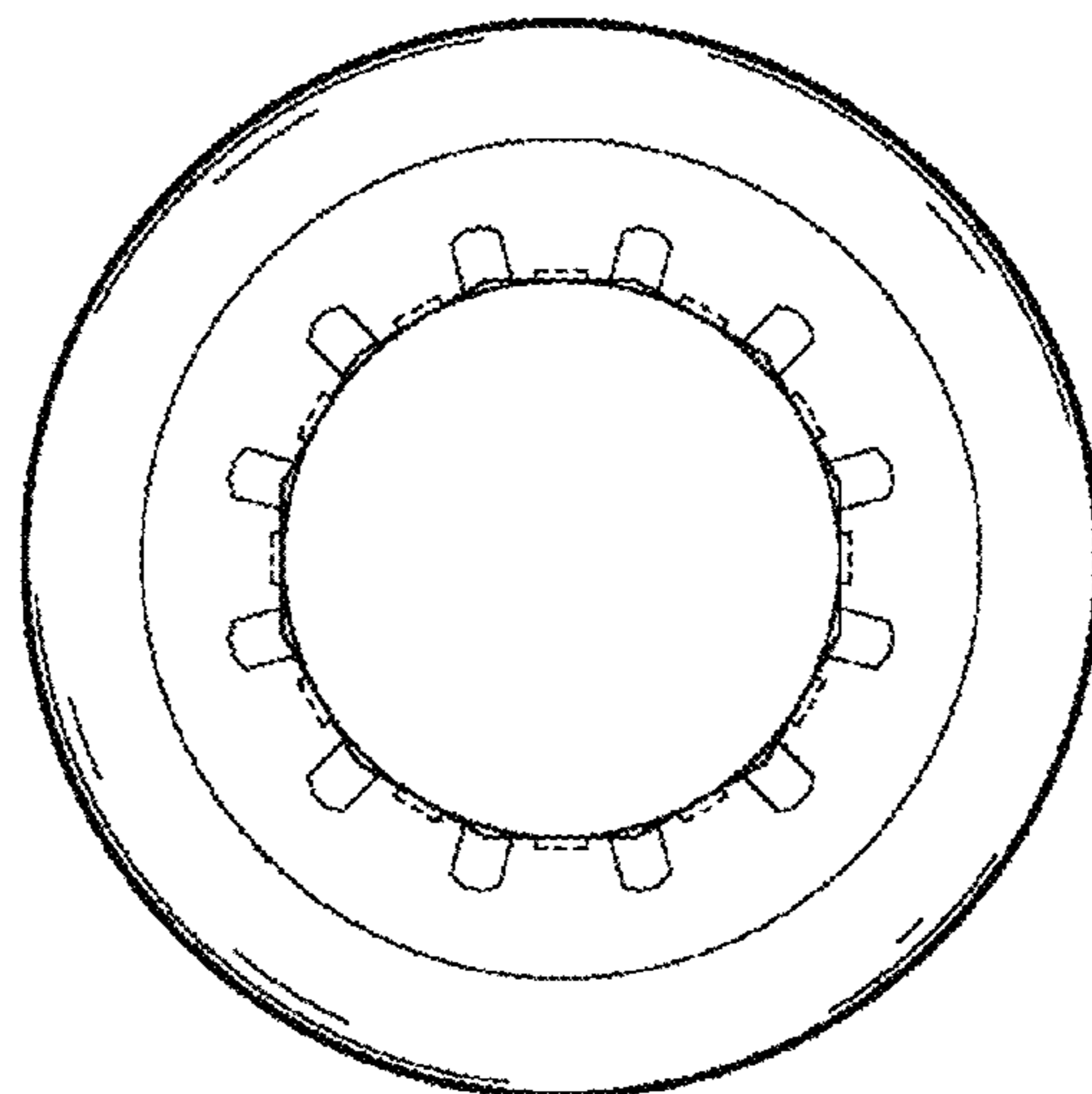


FIG. 41

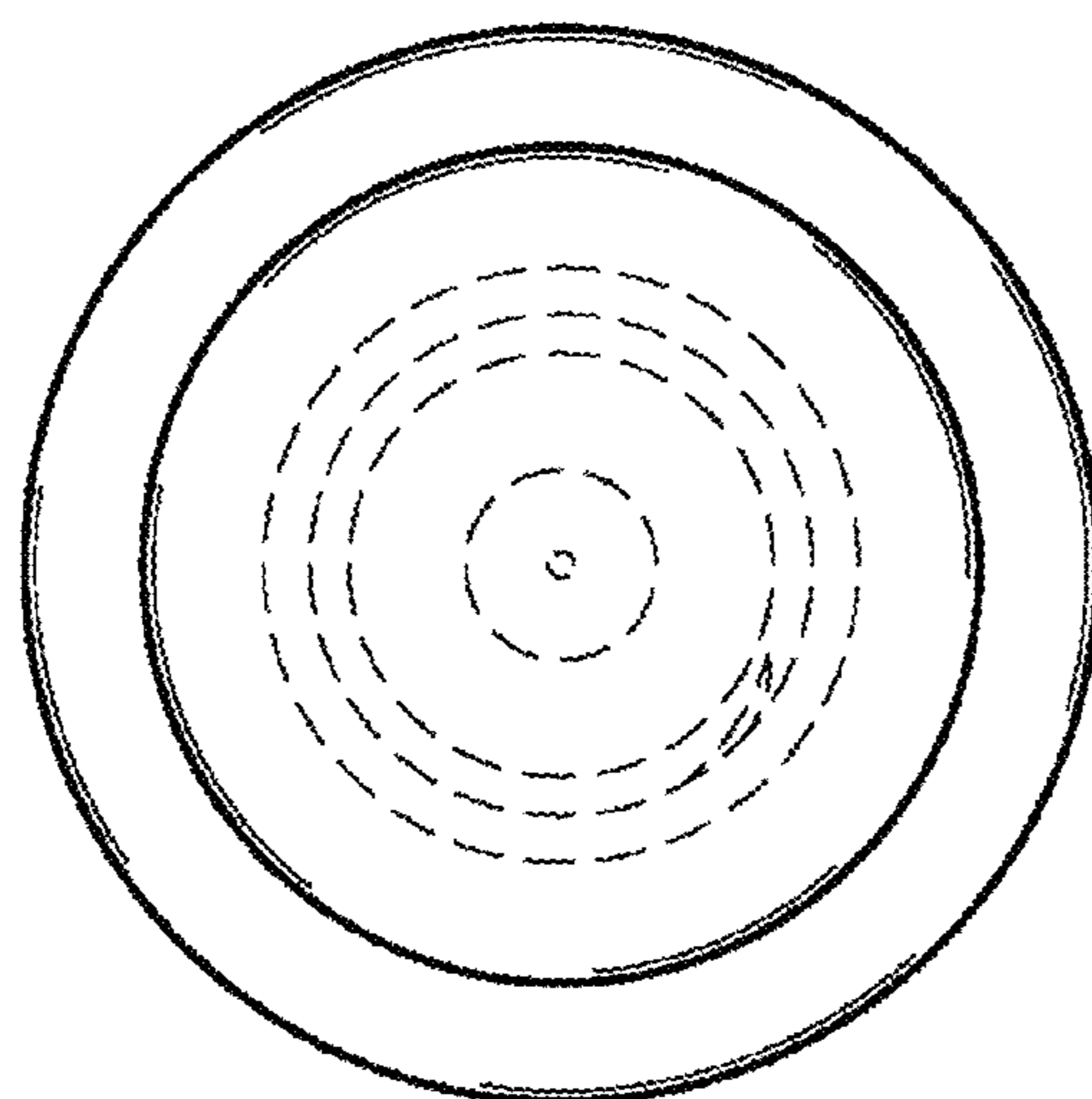


FIG. 42

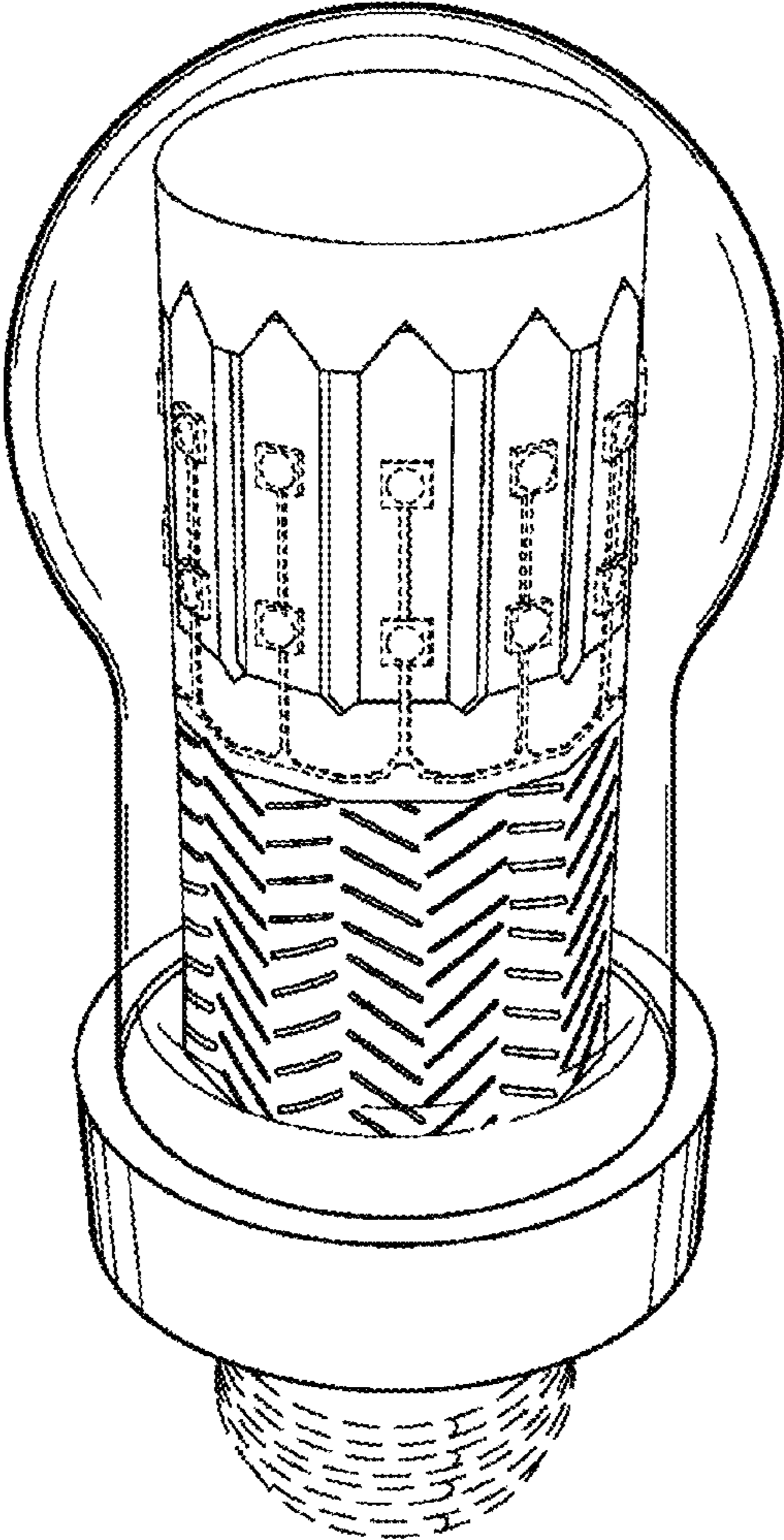


FIG. 43

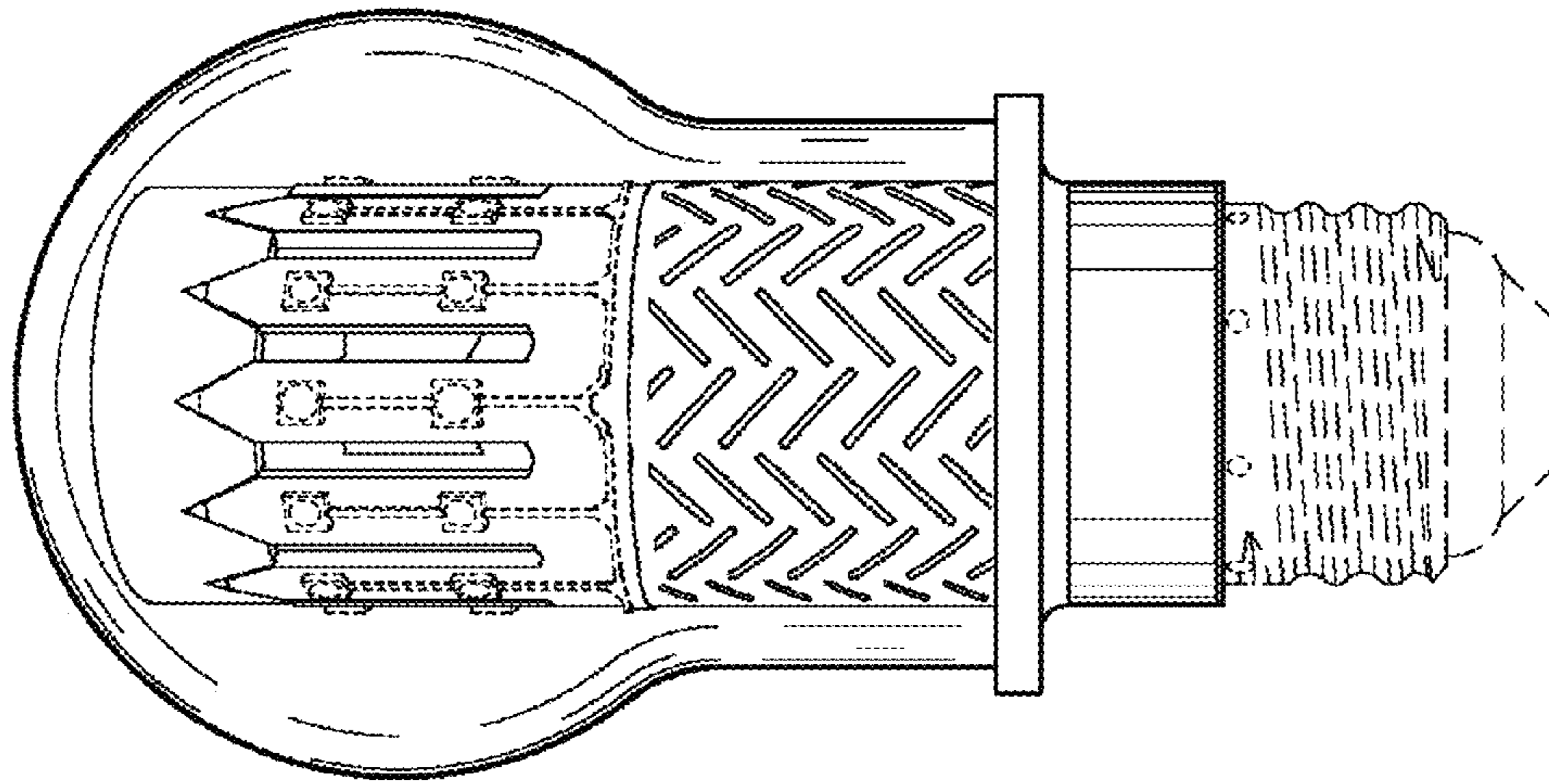


FIG. 44

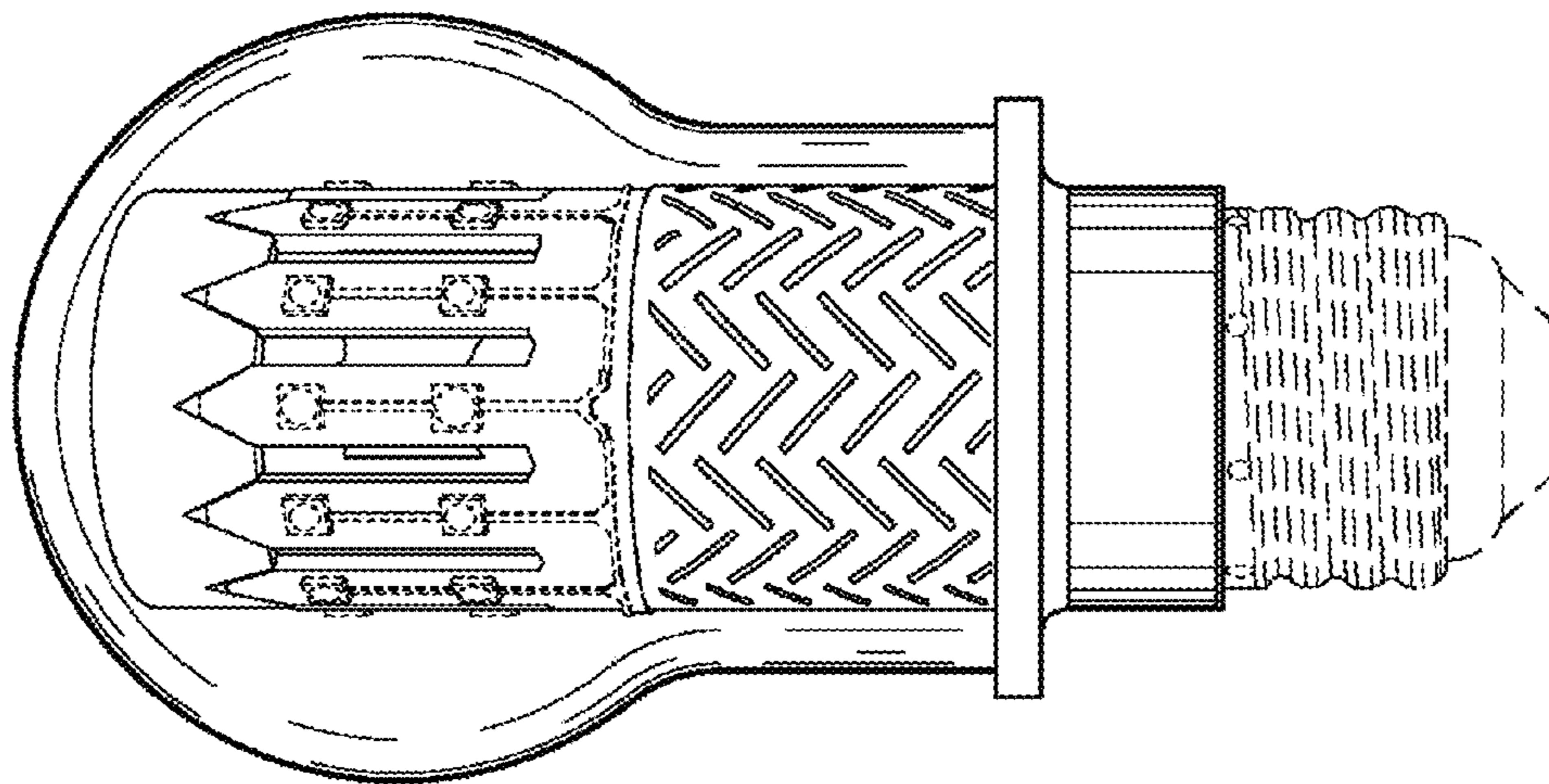


FIG. 45



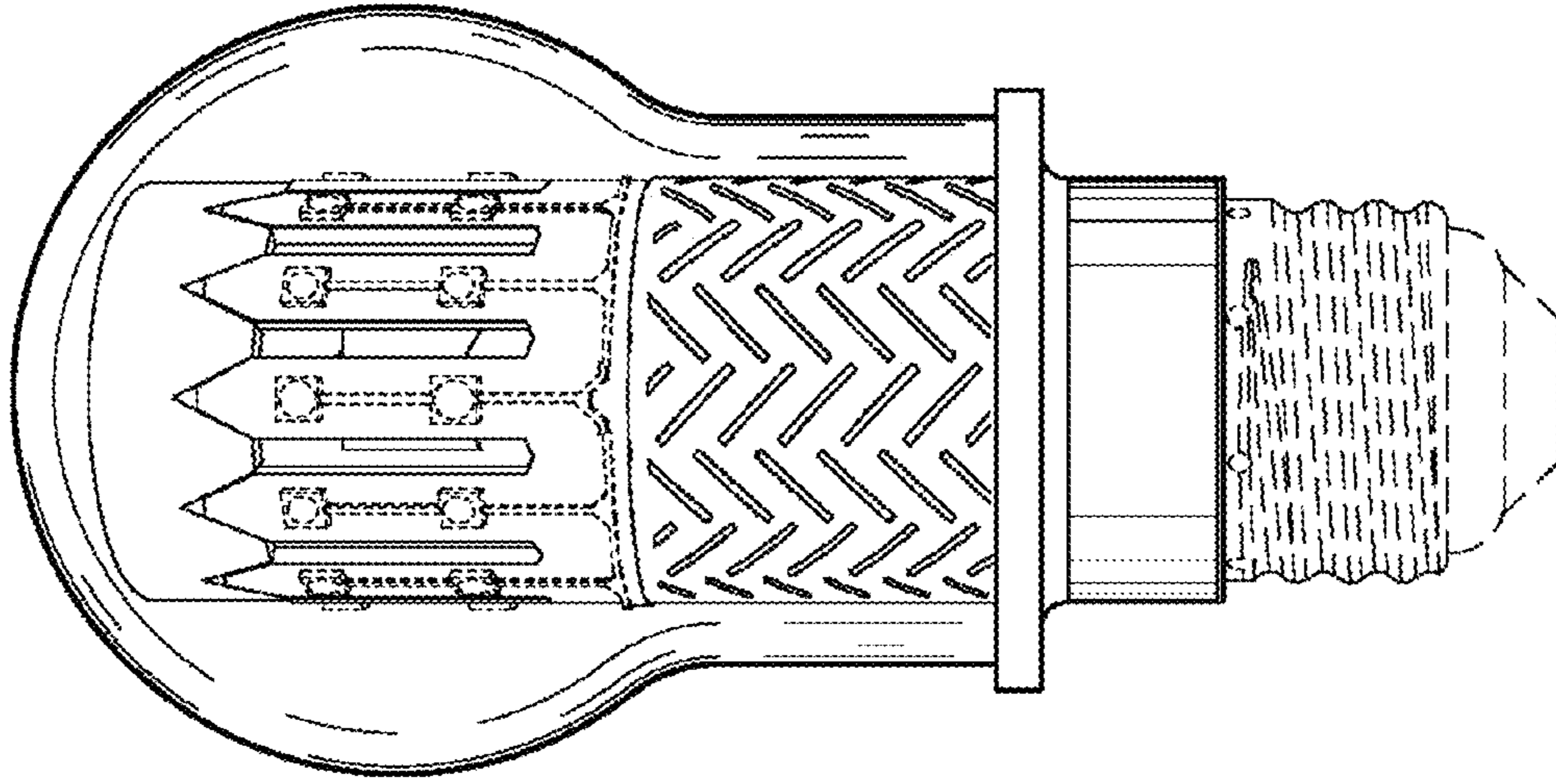


FIG. 46

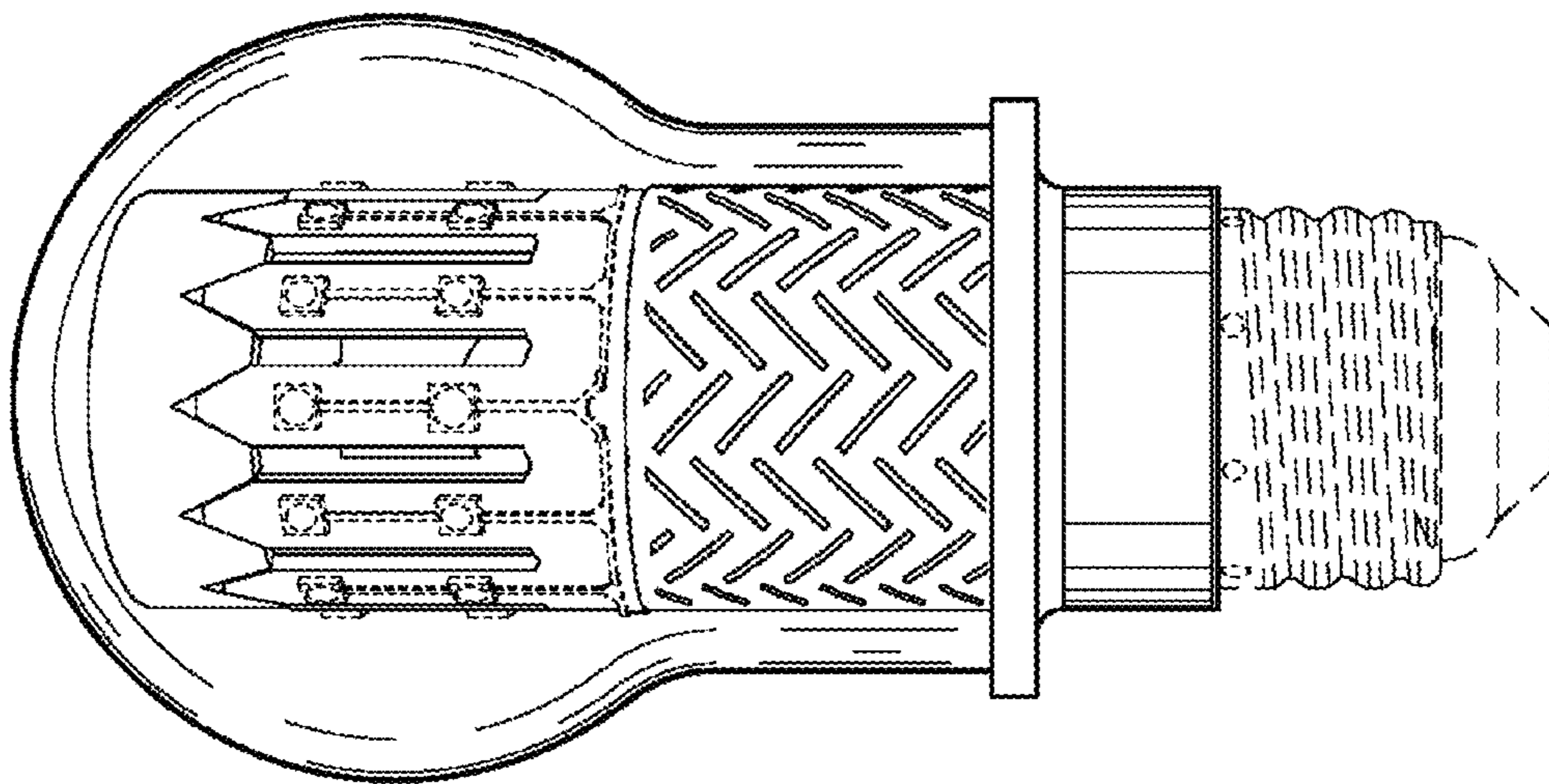


FIG. 47

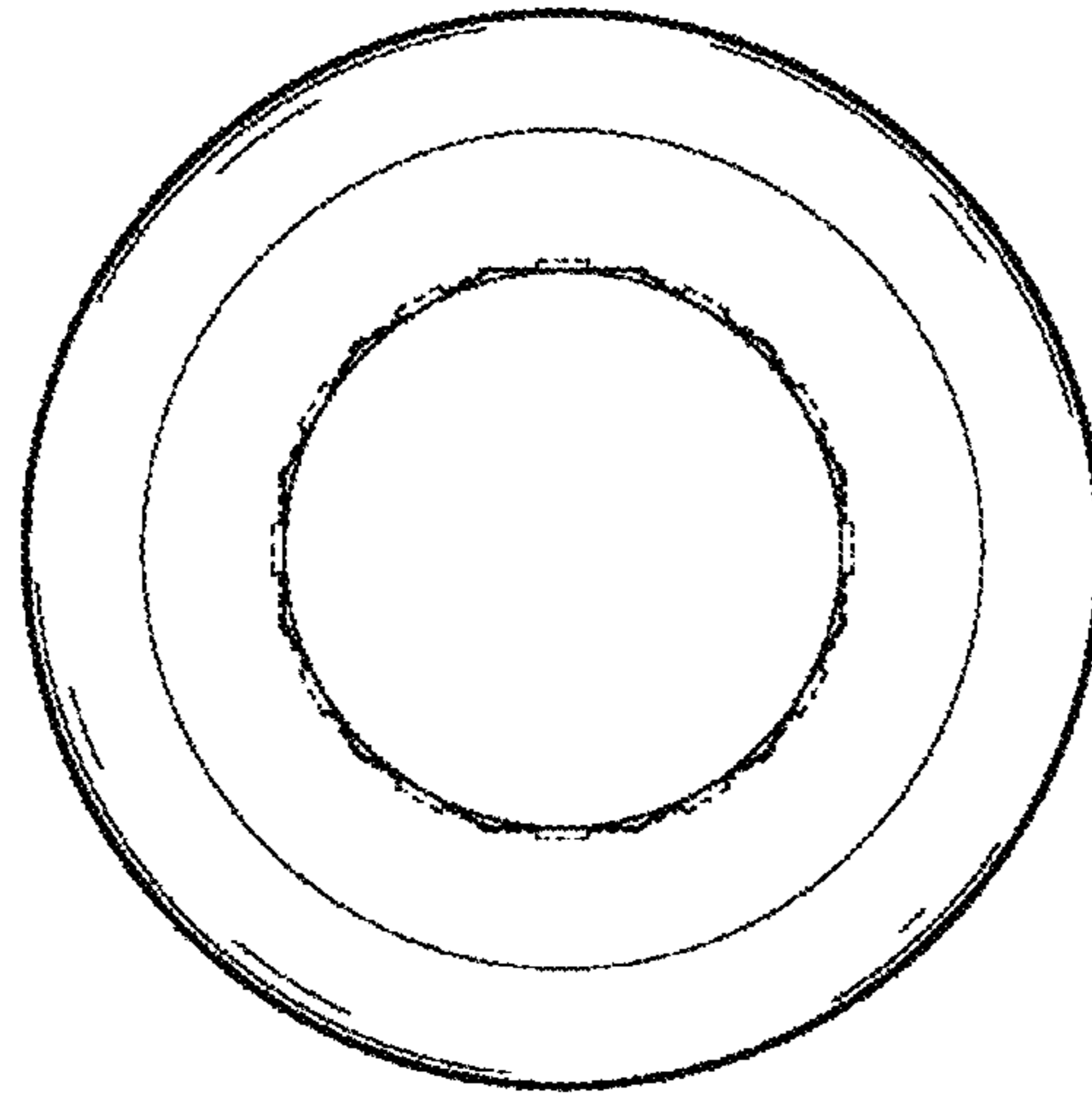


FIG. 48

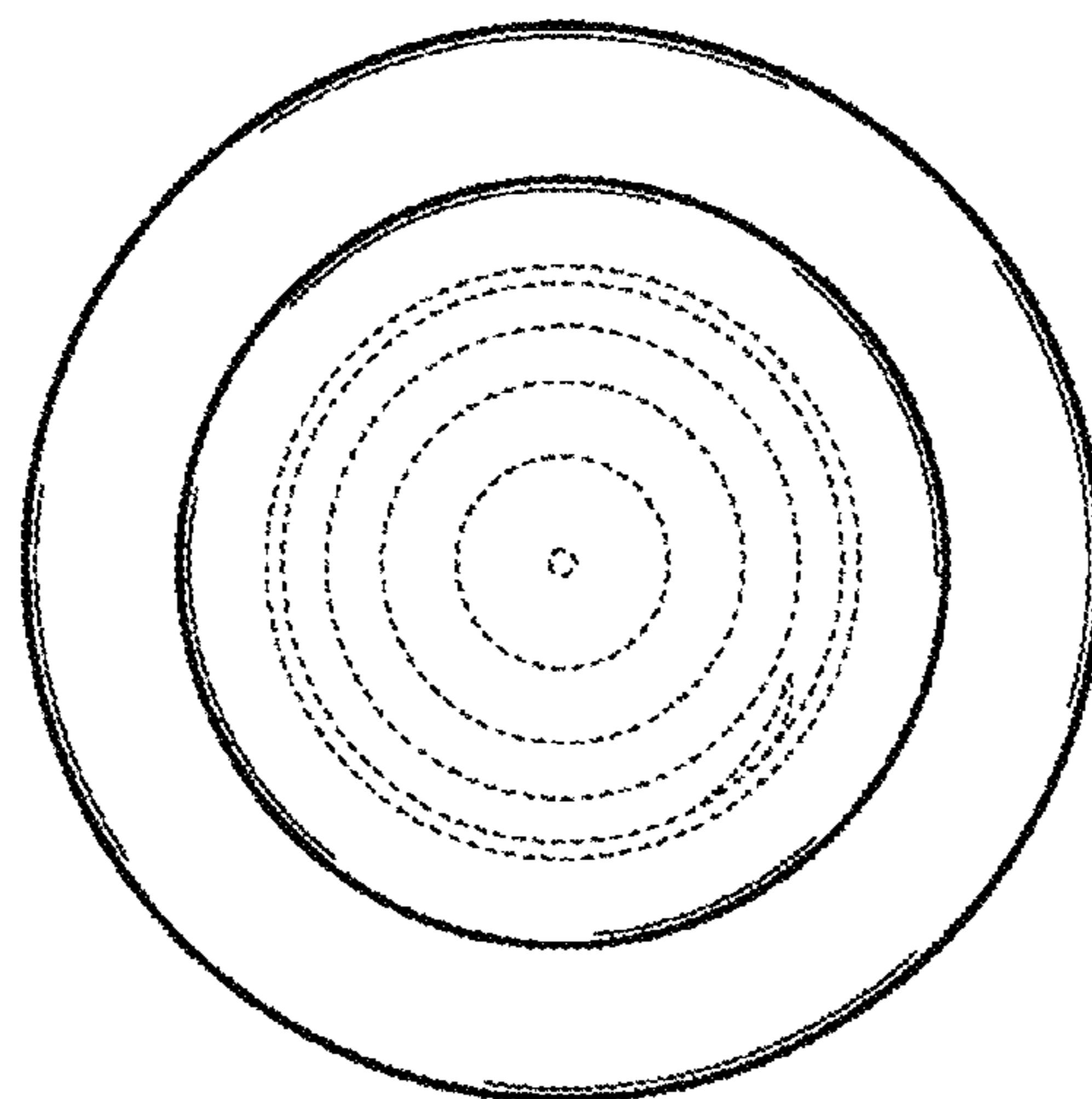


FIG. 49

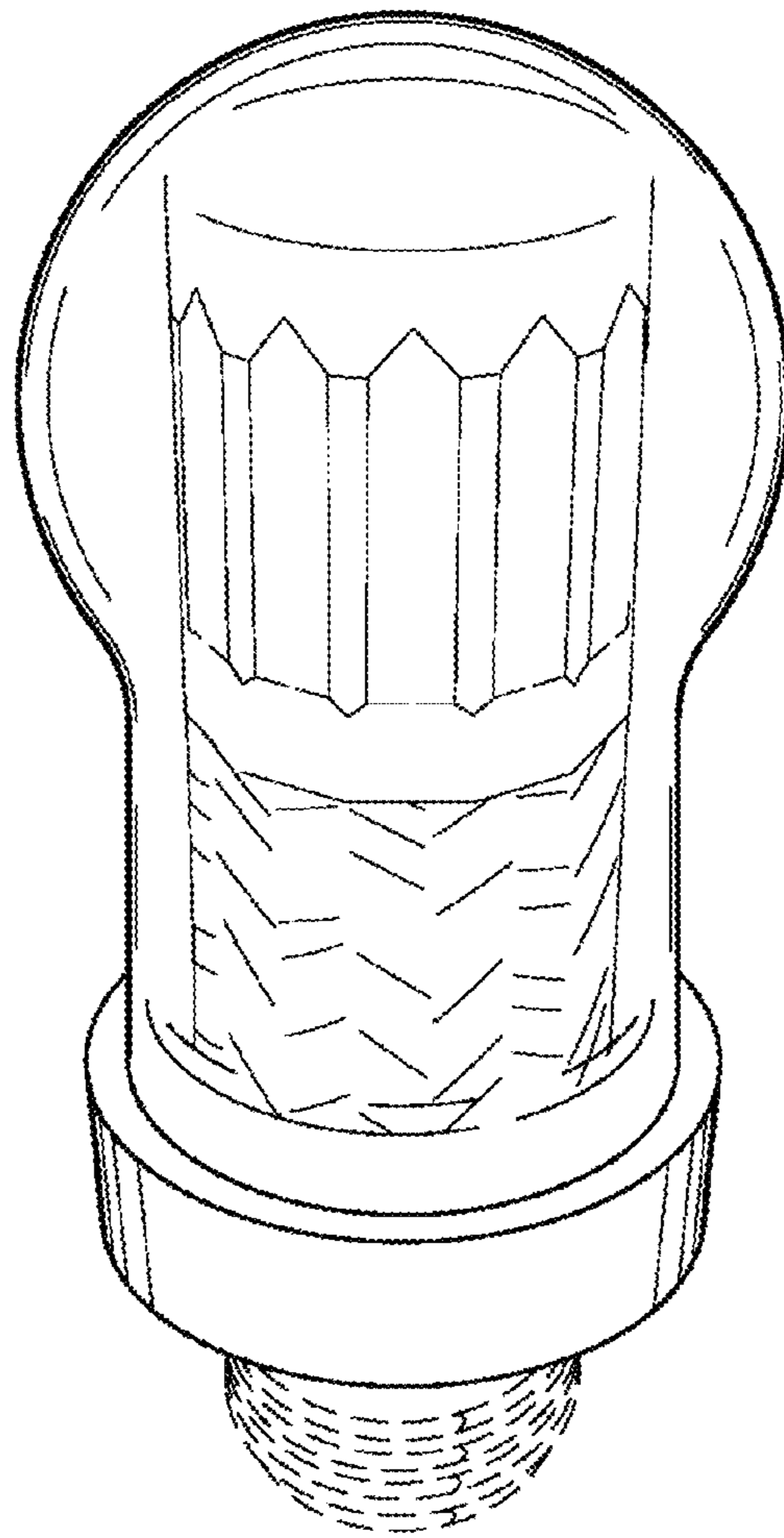


FIG. 50