



US00D711557S

(12) **United States Design Patent**  
**Halfmann**

(10) **Patent No.:** **US D711,557 S**

(45) **Date of Patent:** **\*\* Aug. 19, 2014**

(54) **FENCE POST SAFETY COVER**

(71) Applicant: **Joel W. Halfmann**, San Angelo, TX  
(US)

(72) Inventor: **Joel W. Halfmann**, San Angelo, TX  
(US)

(\*\*) Term: **14 Years**

(21) Appl. No.: **29/443,842**

(22) Filed: **Jan. 23, 2013**

(51) **LOC (10) Cl.** ..... **25-01**

(52) **U.S. Cl.**  
USPC ..... **D25/135**

(58) **Field of Classification Search**  
USPC ..... D25/135; 52/300; 256/19, 1, 65.01  
See application file for complete search history.

(56) **References Cited**

U.S. PATENT DOCUMENTS

D269,209 S	5/1983	Hegarty	
4,520,231 A	5/1985	Hubbell	
D349,164 S	7/1994	Fox	
5,419,536 A	5/1995	Bender	
D416,335 S	11/1999	Roy	
6,021,614 A *	2/2000	Krieger	52/301
6,330,998 B1	12/2001	Roy	
D460,571 S *	7/2002	Schimmelpfennig	D25/135

6,543,750 B1	4/2003	Calzone	
D474,152 S	5/2003	Burdick	
6,612,551 B1	9/2003	Roy	
6,691,479 B1	2/2004	Tscharner	
D532,121 S	11/2006	Watson	
D554,274 S	10/2007	Roy	
D554,777 S	11/2007	Roy	
8,113,473 B2	2/2012	Bradley	
2002/0043036 A1 *	4/2002	Nesbitt	52/301
2009/0184300 A1	7/2009	Wilson, Jr.	

\* cited by examiner

*Primary Examiner* — Doris Clark

(74) *Attorney, Agent, or Firm* — Montgomery Patent & Design; Robert C. Montgomery

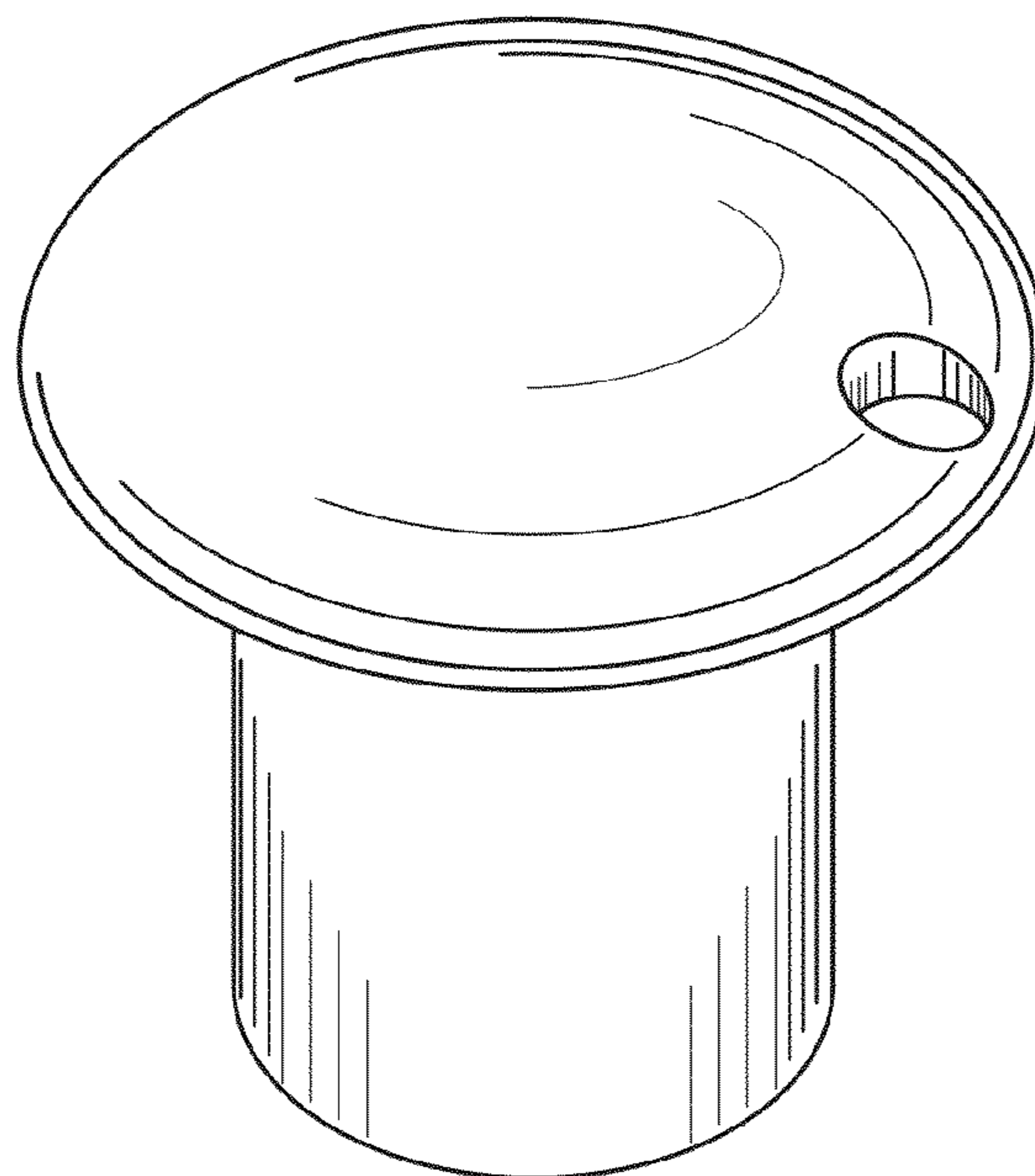
(57) **CLAIM**

The ornamental design for a fence post safety cover, as shown and described.

**DESCRIPTION**

FIG. 1 is a top perspective view of a fence post safety cover, showing my new design;  
FIG. 2 is a bottom perspective view of a fence post safety cover;  
FIG. 3 is a front view thereof, with a rear view and left hand view being a mirror image thereof;  
FIG. 4 is a right hand view thereof;  
FIG. 5 is a top view thereof; and,  
FIG. 6 is a bottom view thereof.

**1 Claim, 5 Drawing Sheets**



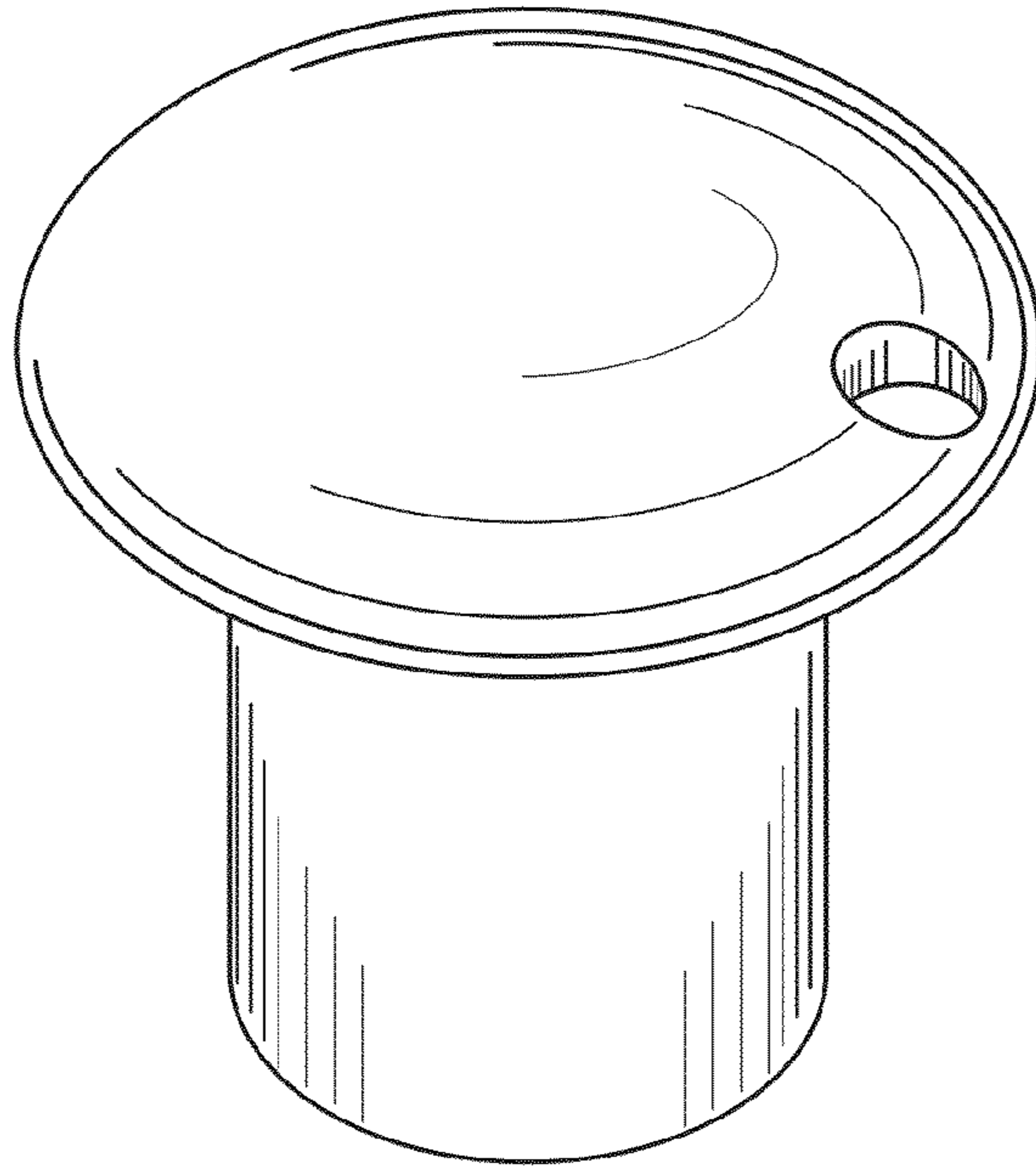


Fig. 1

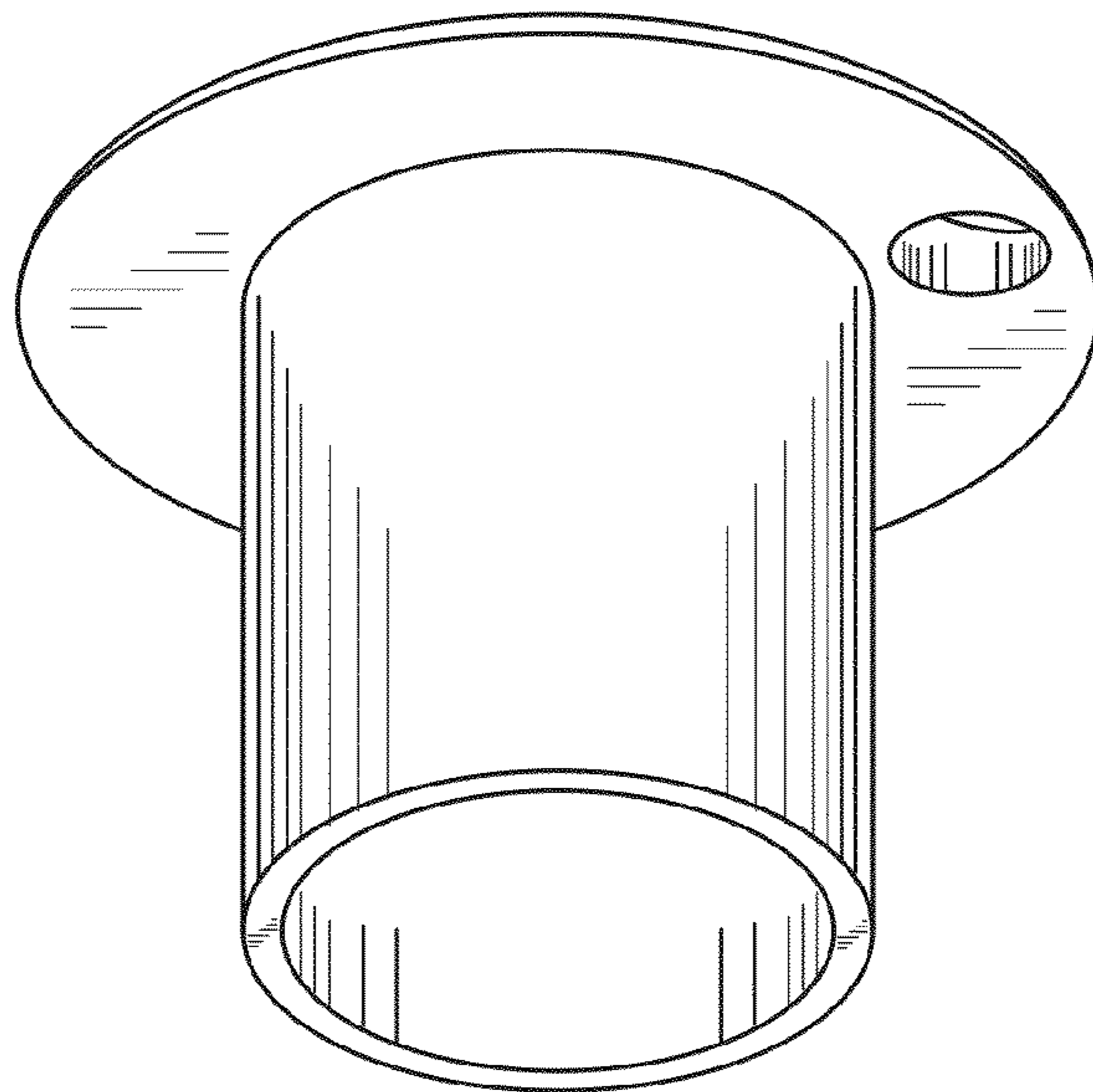


Fig. 2

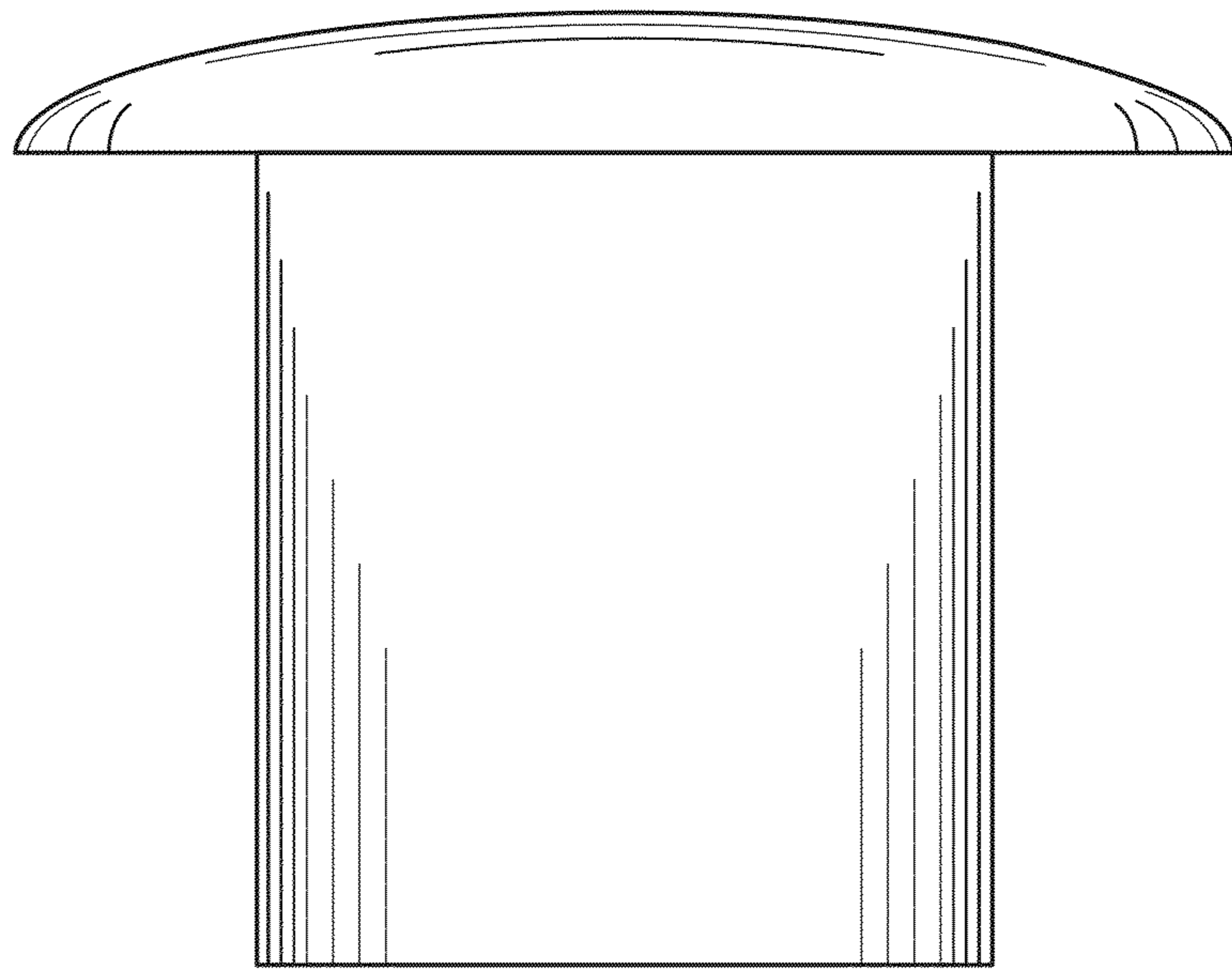


Fig. 3

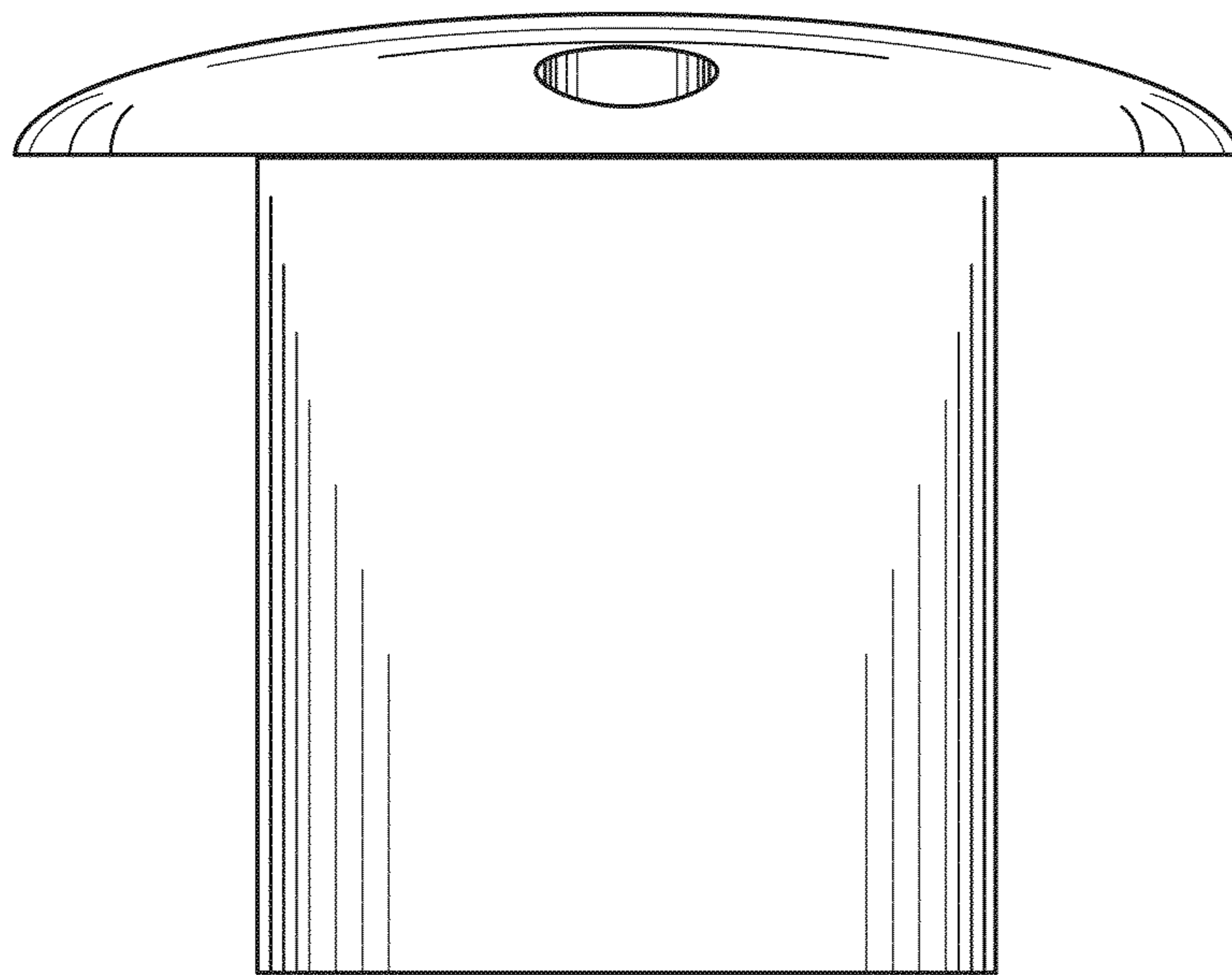


Fig. 4

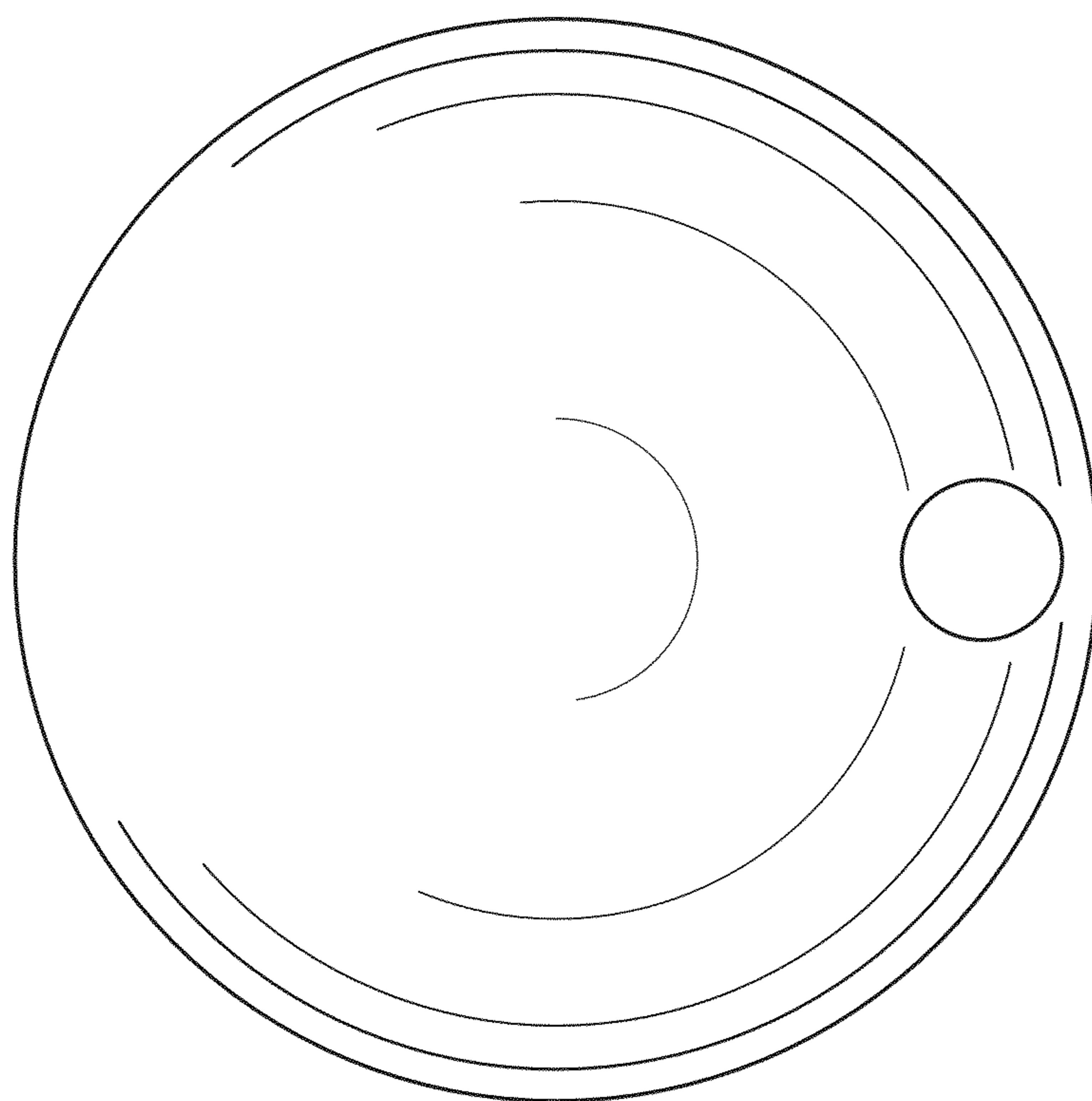


Fig. 5

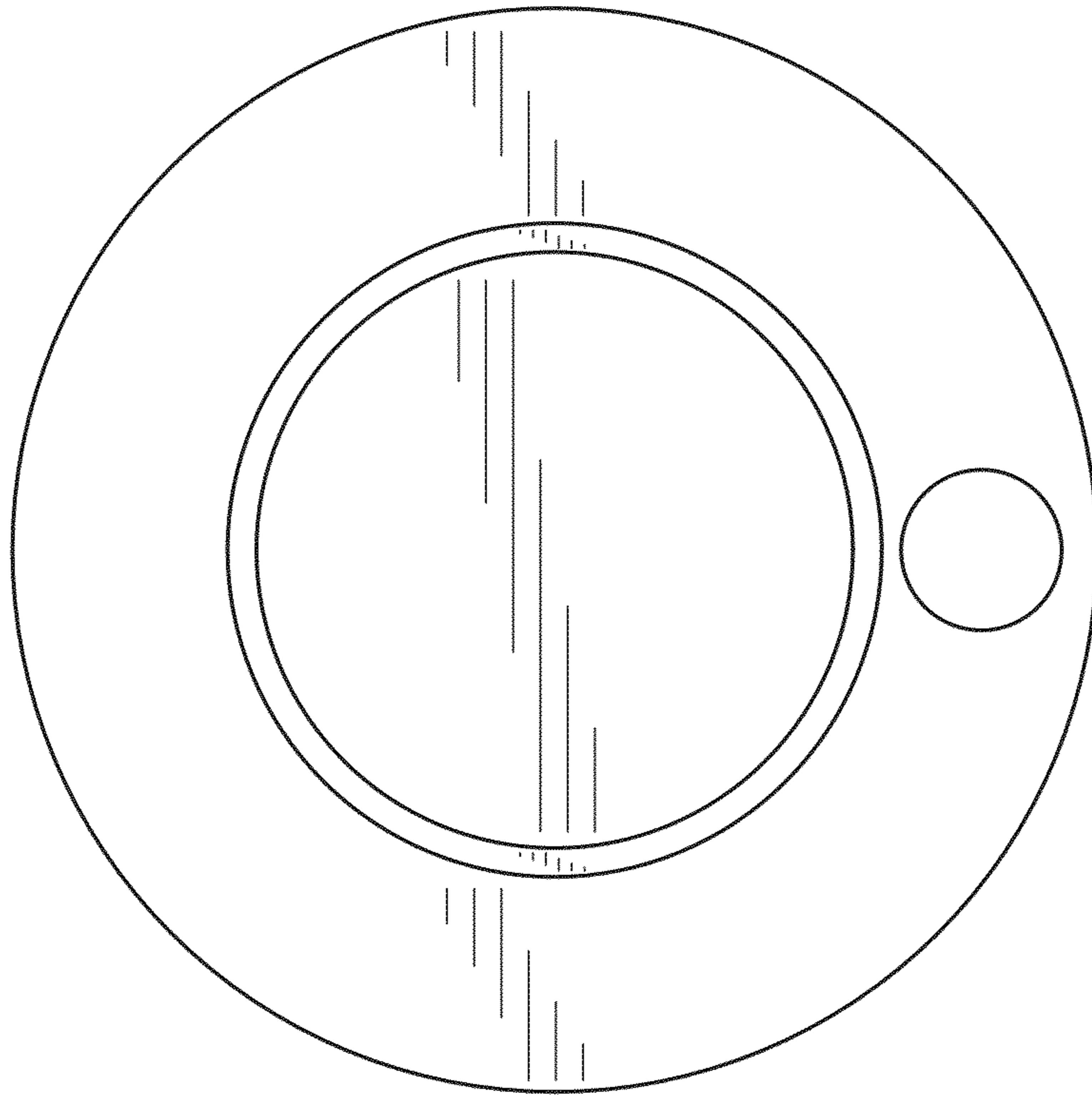


Fig. 6