



US00D711550S

(12) **United States Design Patent**
Trump

(10) **Patent No.:** **US D711,550 S**

(45) **Date of Patent:** **** Aug. 19, 2014**

(54) **CONTAINER FOR DIAGNOSTIC PRODUCTS**

(71) Applicant: **Martin Trump**, Pforzheim (DE)

(72) Inventor: **Martin Trump**, Pforzheim (DE)

(**) Term: **14 Years**

(21) Appl. No.: **29/435,074**

(22) Filed: **Oct. 19, 2012**

(30) **Foreign Application Priority Data**

Apr. 20, 2012 (EM) 002030023-0009

(51) **LOC (10) Cl.** **24-01**

(52) **U.S. Cl.**
USPC **D24/224**

(58) **Field of Classification Search**
USPC D24/216, 223, 224, 225, 226, 227, 229,
D24/230, 231, 232; D10/81; D9/500, 503,
D9/504, 420, 423, 432; D7/629, 630;
435/288.1-288.4, 304.1-304.3, 305.1,
435/305.2, 307, 294.1; 422/547, 565;
D3/201

See application file for complete search history.

(56) **References Cited**

U.S. PATENT DOCUMENTS

D187,172 S * 2/1960 Hale D24/224
4,043,678 A * 8/1977 Farrell et al. 356/246
D258,266 S * 2/1981 Curran et al. D24/224
4,358,908 A * 11/1982 Song 47/69
D325,258 S * 4/1992 Andersen et al. D24/169
D330,428 S 10/1992 Lewis et al.
D342,793 S 12/1993 Balmer

D365,153 S * 12/1995 Robertson, Jr. D24/224
D380,555 S 7/1997 Kurosaki et al.
D401,700 S 11/1998 Gray et al.
D411,014 S * 6/1999 Berger et al. D24/224
6,117,391 A 9/2000 Mootz et al.
D482,454 S * 11/2003 Gebrian D24/224
D544,610 S * 6/2007 Ouchi et al. D24/224
D560,816 S 1/2008 Talmer et al.
D583,481 S 12/2008 Yamamoto et al.
D610,699 S * 2/2010 Laudo et al. D24/216
D661,403 S * 6/2012 Connelly et al. D24/224
D664,845 S * 8/2012 Everson D9/432
2010/0137778 A1 6/2010 Kunjan et al.
2012/0156796 A1 6/2012 Drechsler et al.

* cited by examiner

Primary Examiner — Anhdao Doan

(74) *Attorney, Agent, or Firm* — 24IP Law Group; Timothy R DeWitt

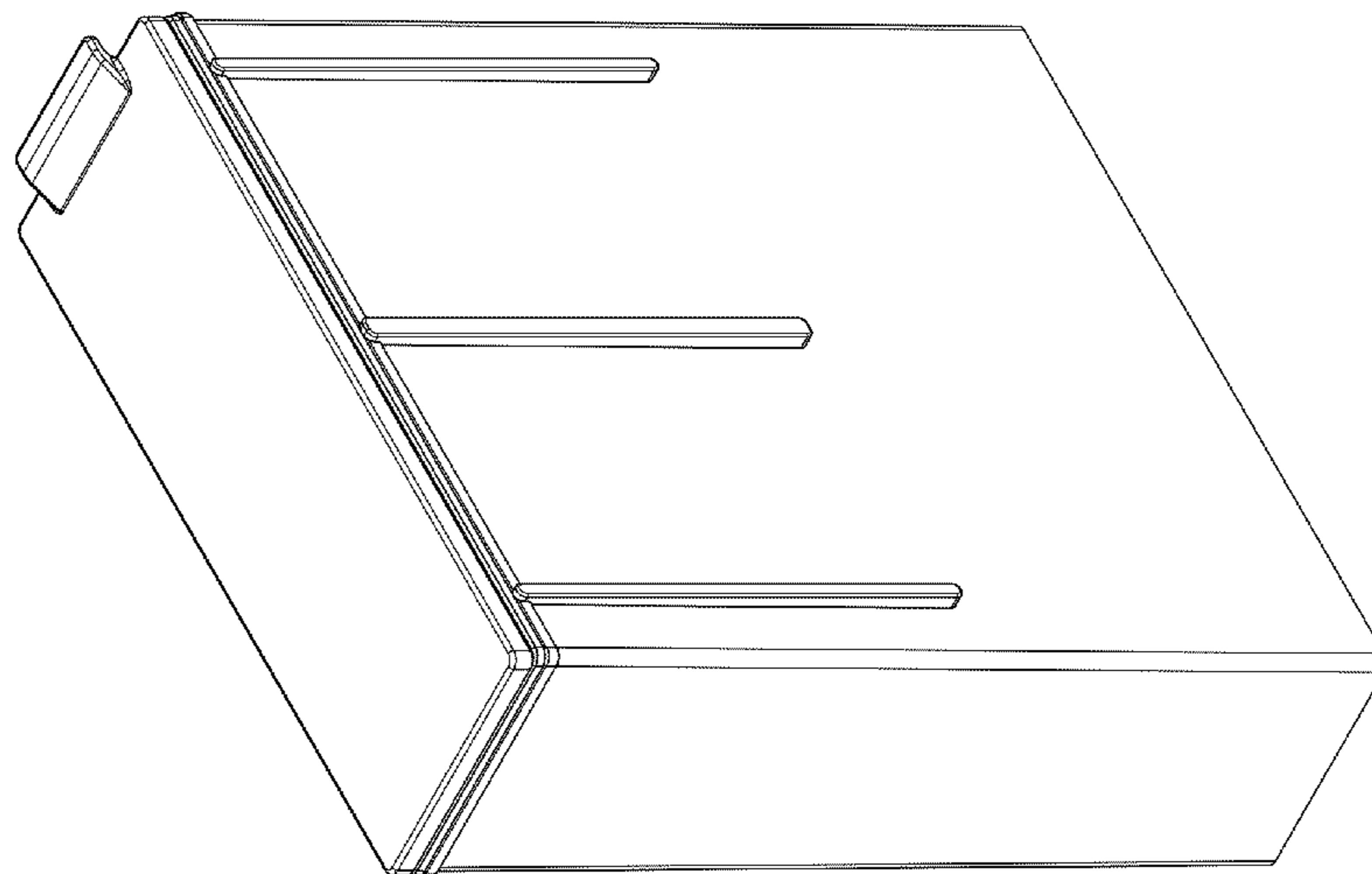
(57) **CLAIM**

The ornamental design for a container for diagnostic products, as shown and described.

DESCRIPTION

FIG. 1 is a first side view of a container for diagnostic products showing my new design;
FIG. 2 is a second side view thereof;
FIG. 3 is an end view thereof;
FIG. 4 is a top view thereof;
FIG. 5 is a bottom view thereof;
FIG. 6 is a first bottom perspective view thereof;
FIG. 7 is a second bottom perspective view thereof;
FIG. 8 is a first top perspective view thereof; and,
FIG. 9 is a second top perspective view thereof.

1 Claim, 9 Drawing Sheets



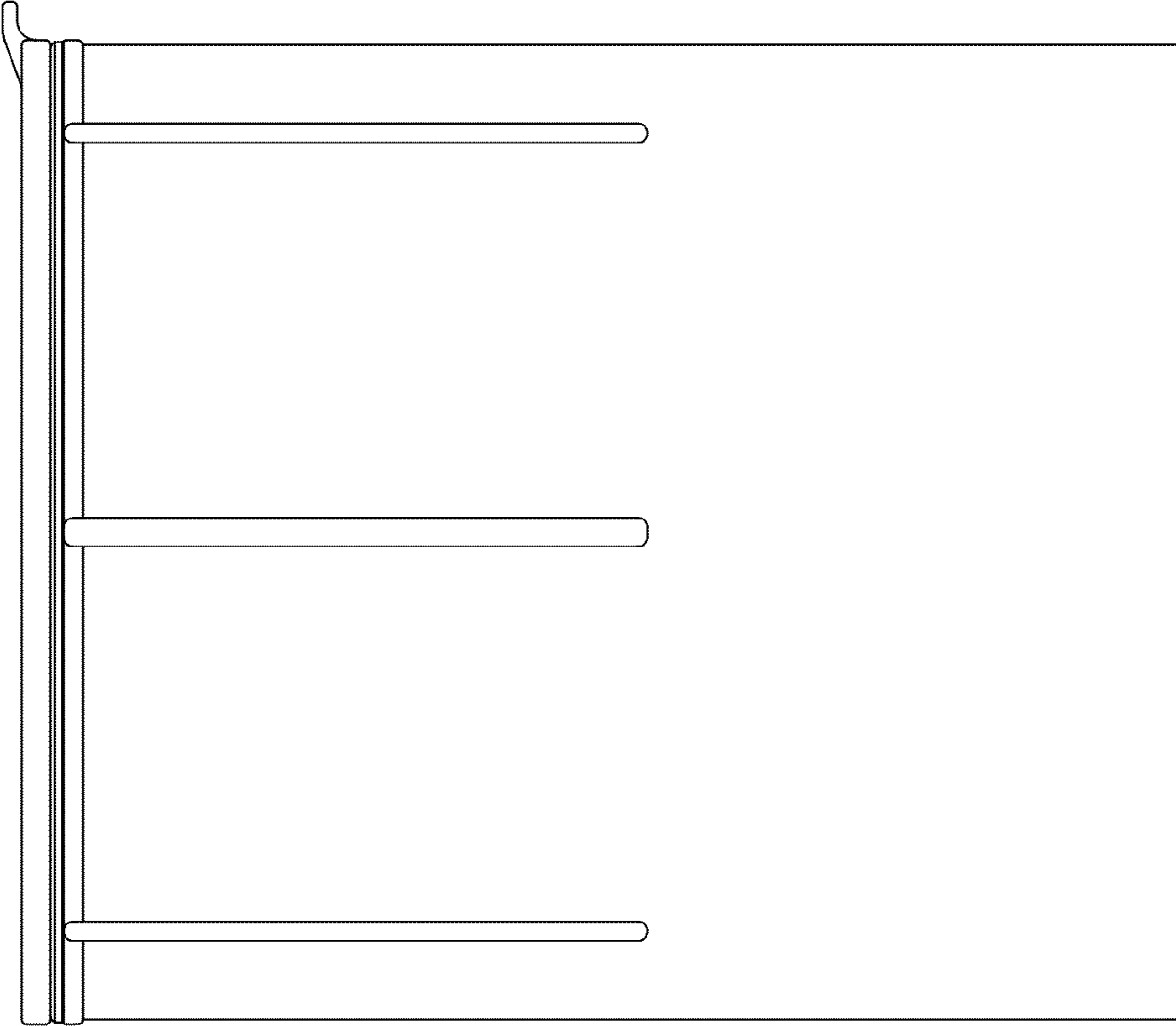


FIG. 1

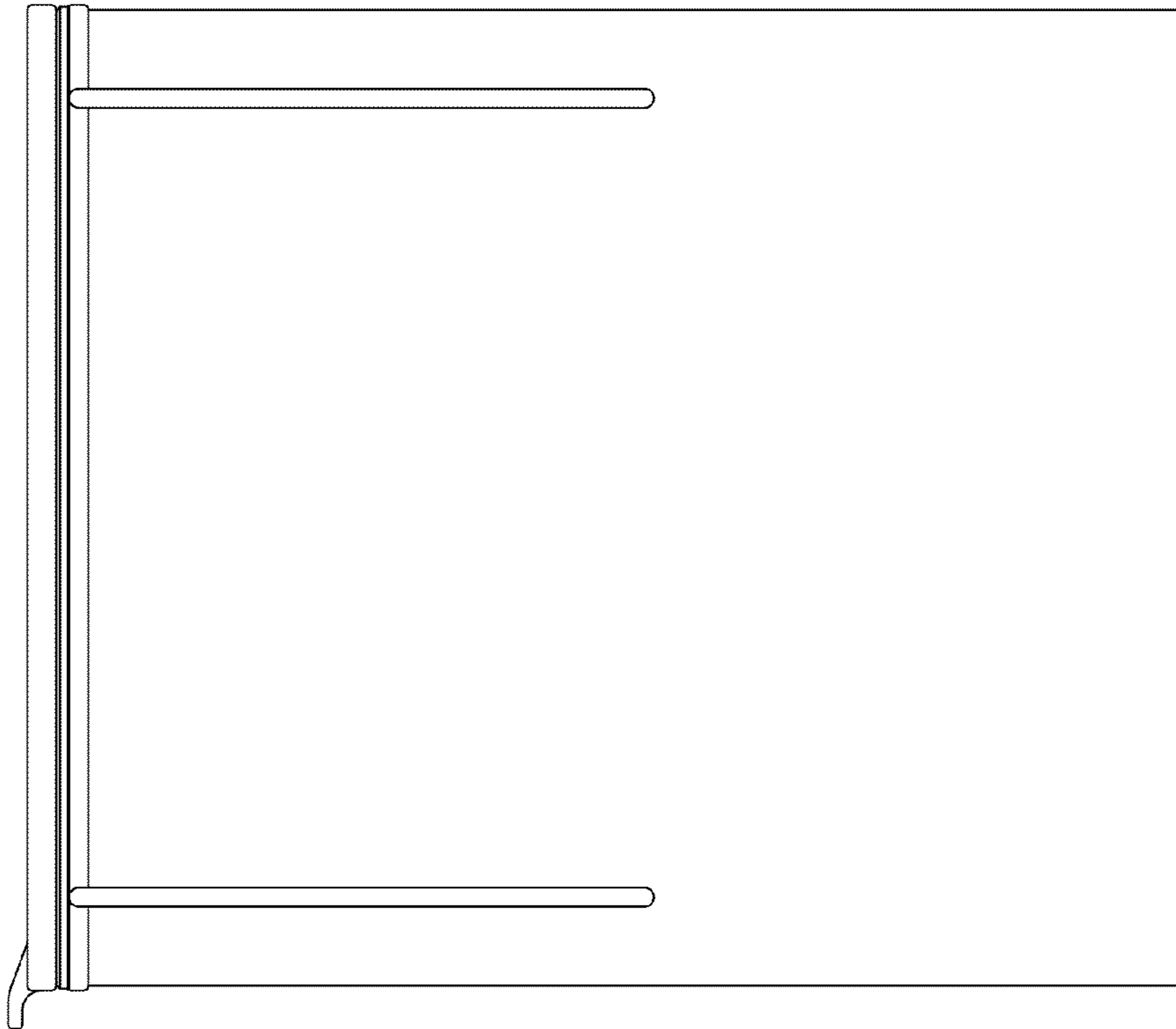


FIG. 2

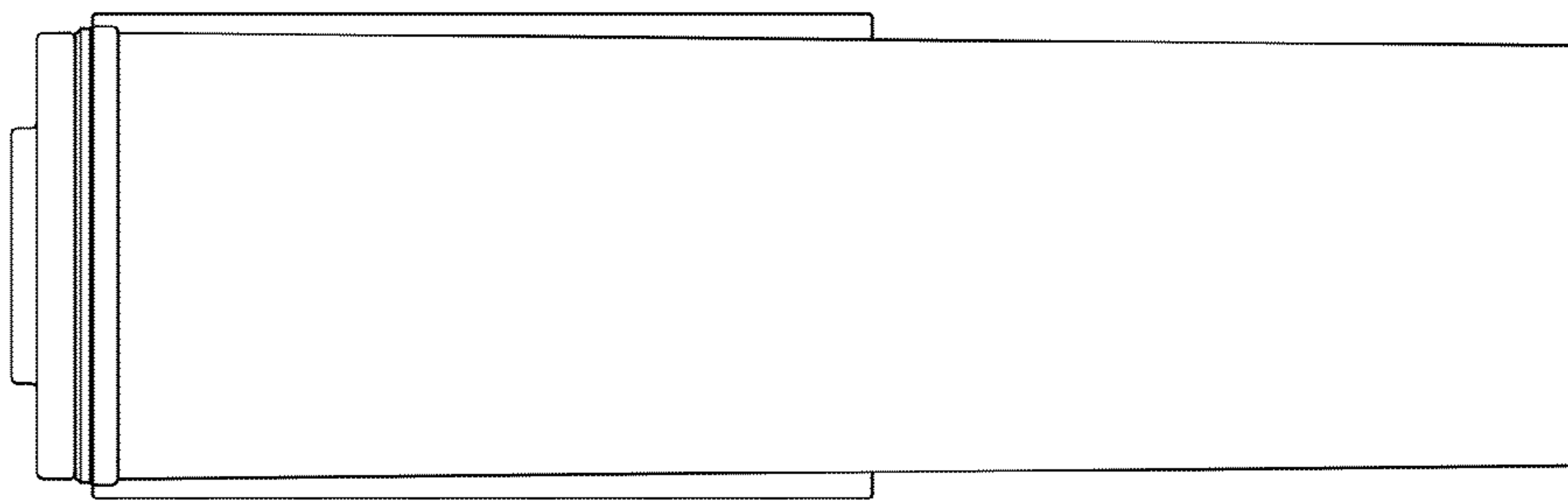


FIG. 3

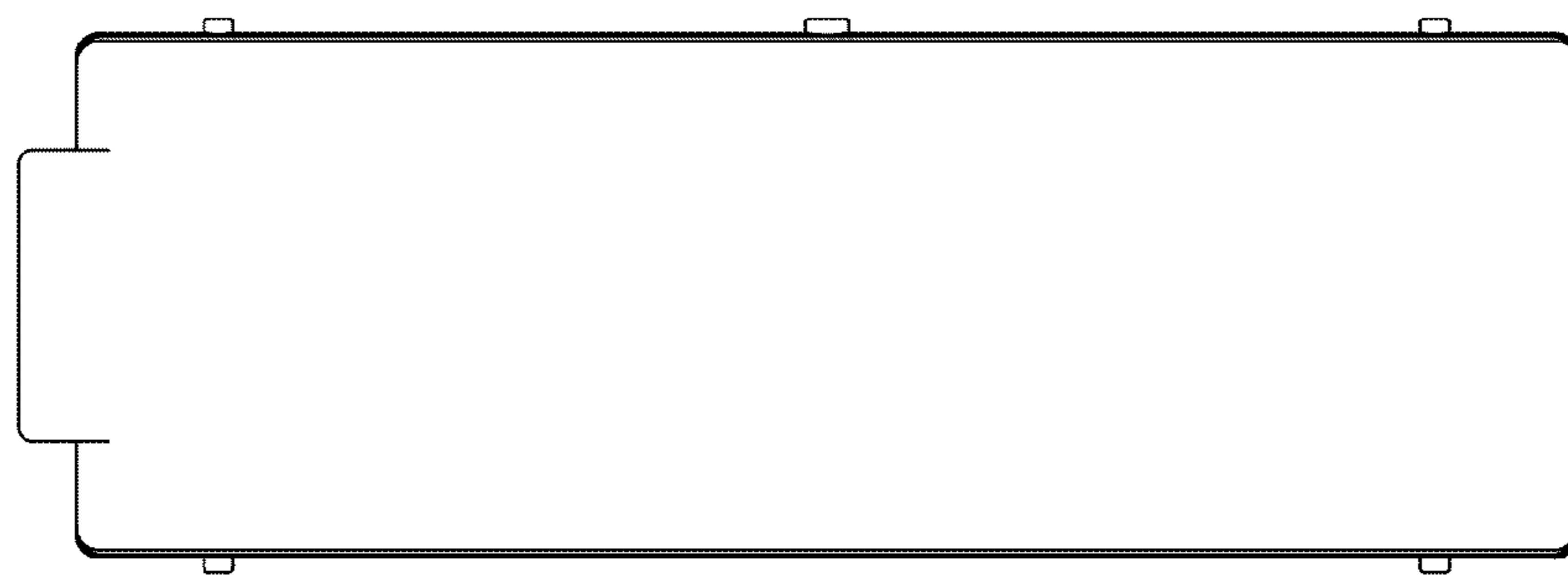


FIG. 4

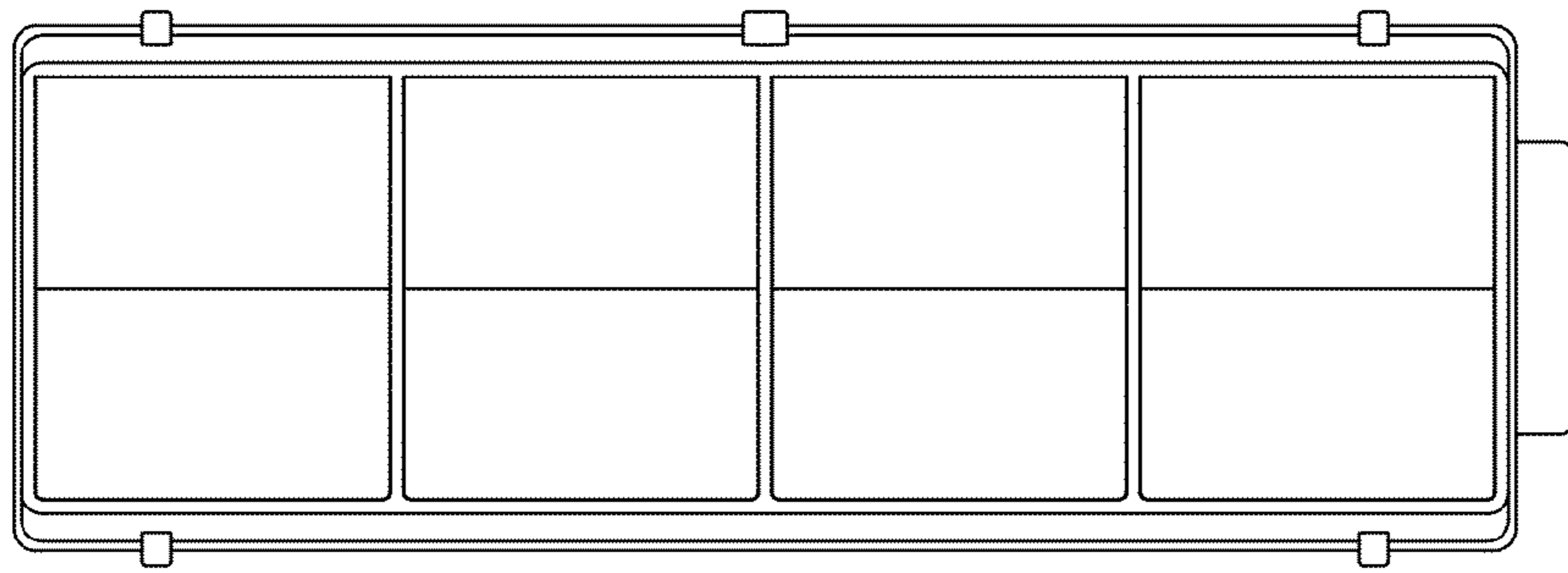


FIG. 5

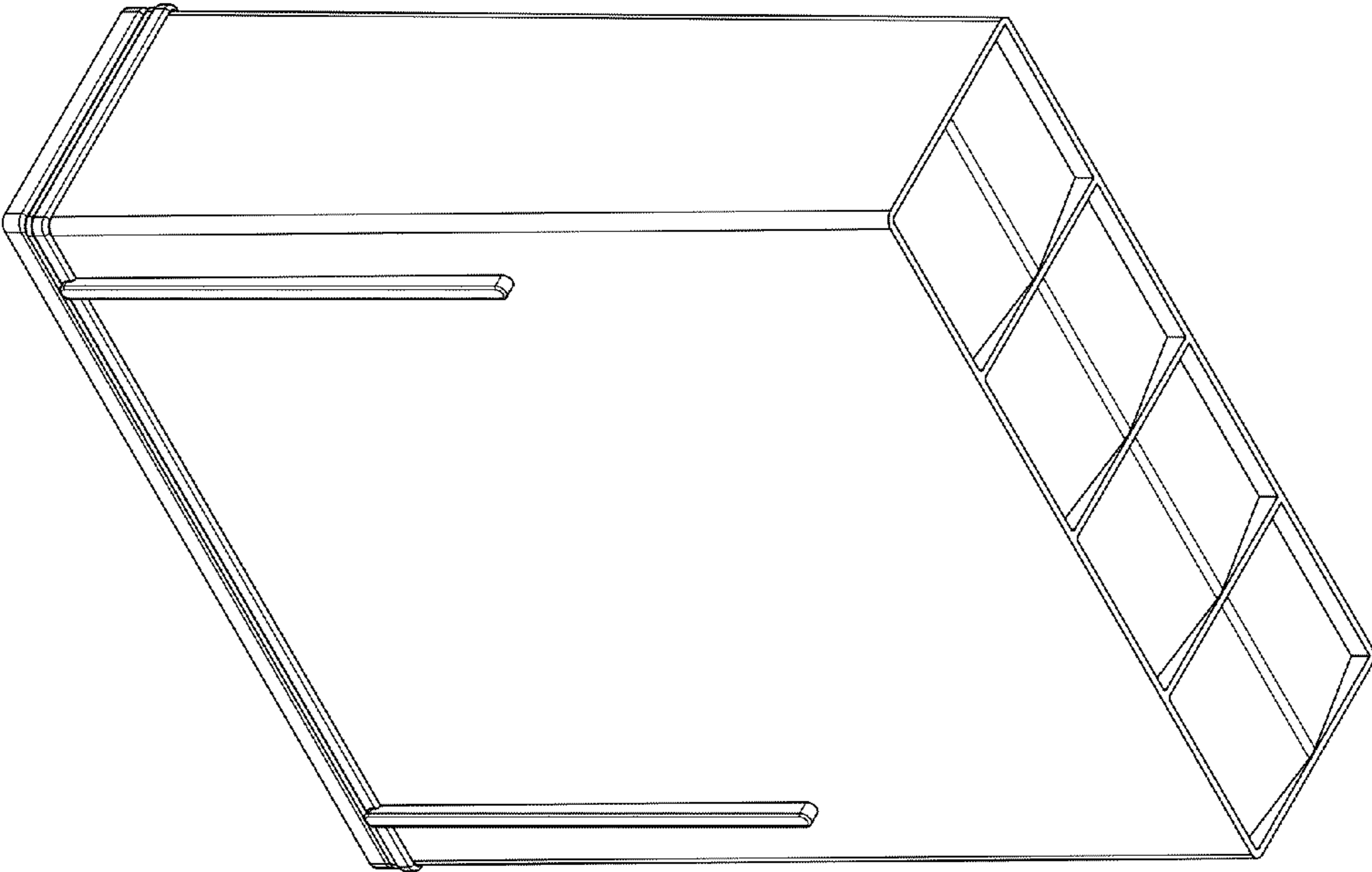


FIG. 6

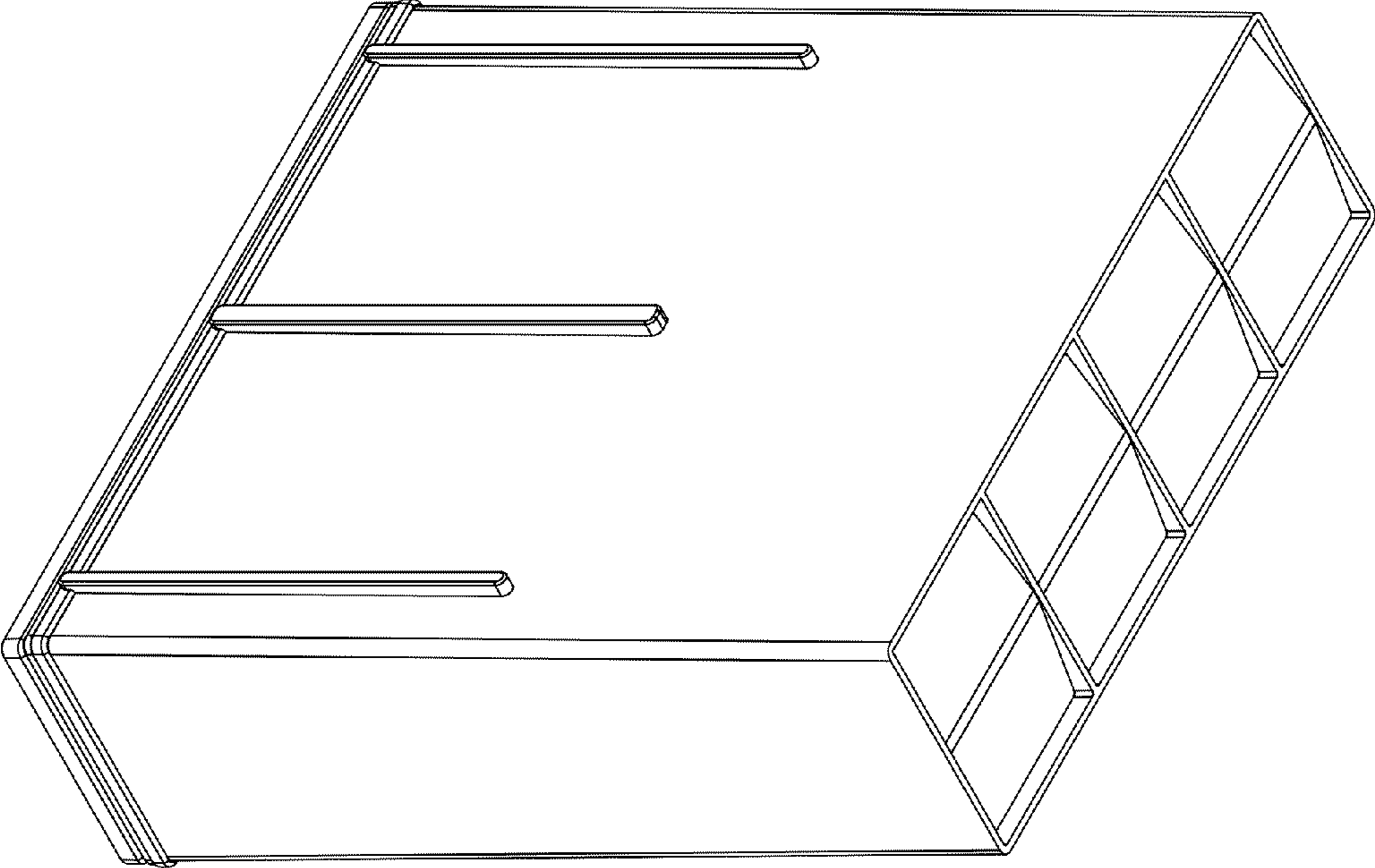


FIG. 7

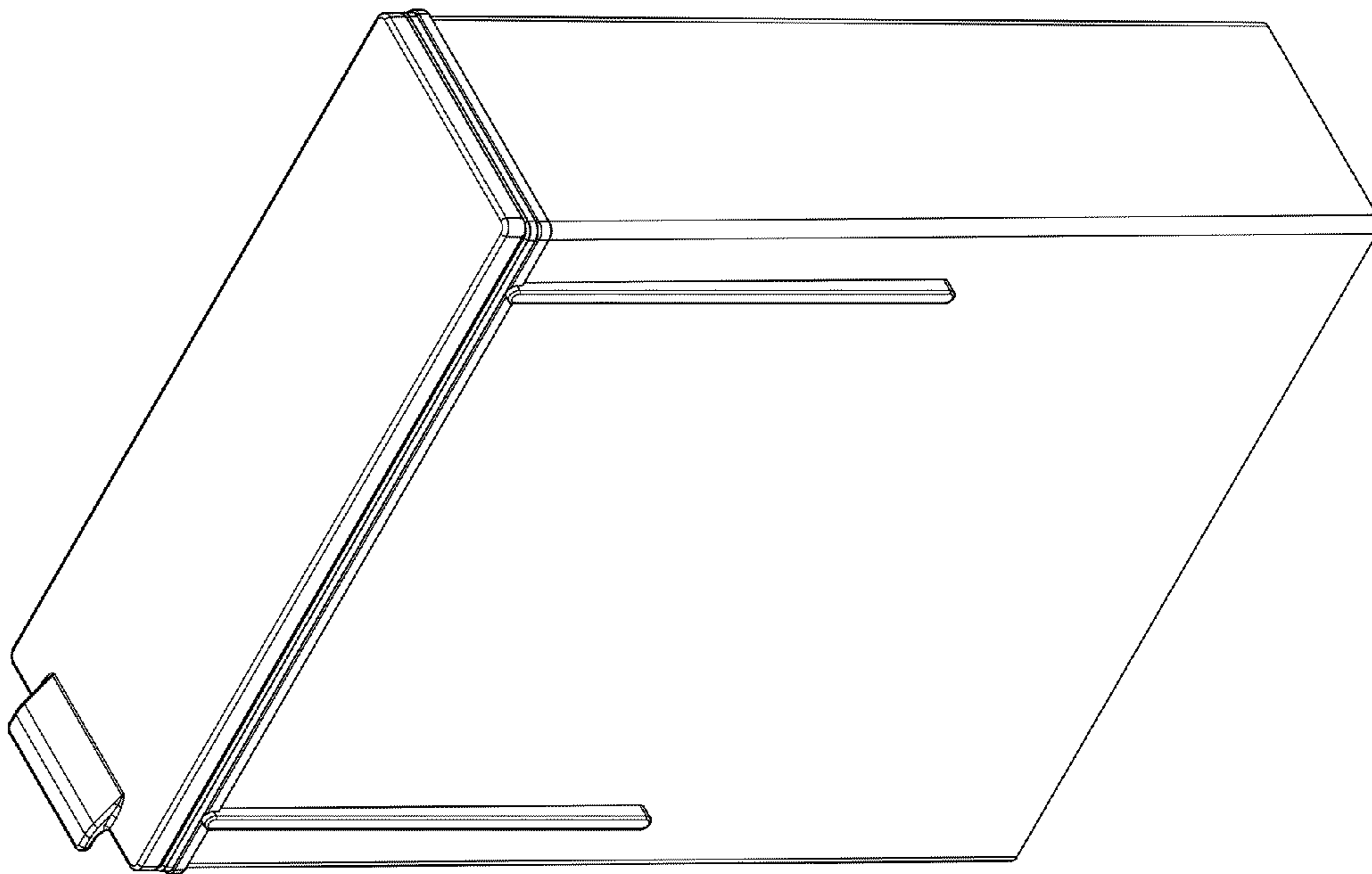


FIG. 8

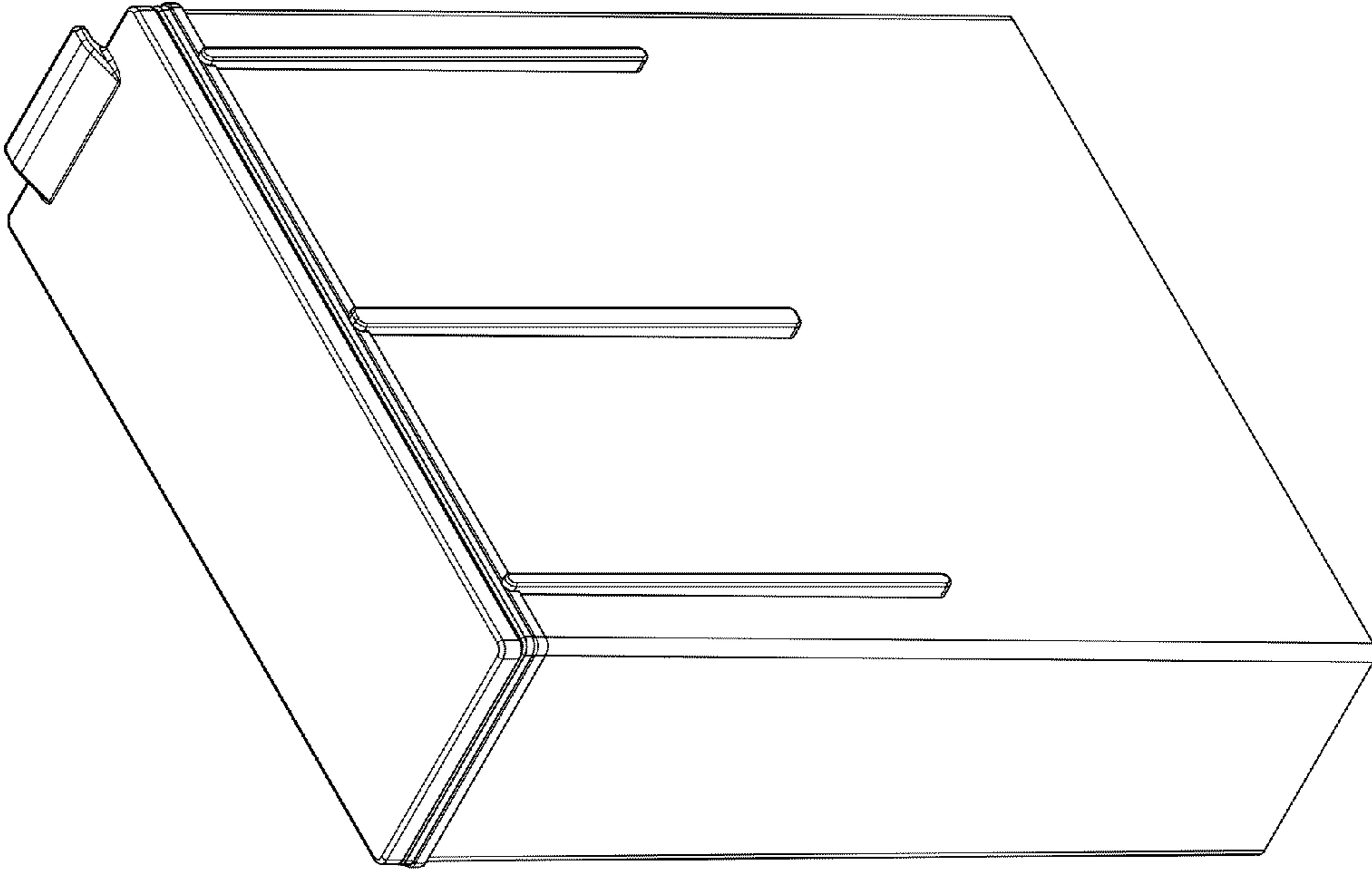


FIG. 9