



US00D711549S

(12) **United States Design Patent**  
**Trump**

(10) **Patent No.:** **US D711,549 S**

(45) **Date of Patent:** **\*\* Aug. 19, 2014**

(54) **CONTAINER FOR DIAGNOSTIC PRODUCTS**

(71) Applicant: **Martin Trump**, Pforzheim (DE)

(72) Inventor: **Martin Trump**, Pforzheim (DE)

(\*\*) Term: **14 Years**

(21) Appl. No.: **29/435,073**

(22) Filed: **Oct. 19, 2012**

(30) **Foreign Application Priority Data**

Apr. 20, 2012 (EM) ..... 002030023-0008

(51) **LOC (10) Cl.** ..... **24-01**

(52) **U.S. Cl.**  
USPC ..... **D24/224**

(58) **Field of Classification Search**  
USPC ..... D24/216, 223, 224, 225, 226, 227, 229,  
D24/230, 231, 232; D10/81; D9/500, 503,  
D9/504, 420, 423, 428, 432, 436; 422/500,  
422/547, 565; 215/306, 235, 237; 206/305;  
220/836, 839; D3/201; D7/629, 630  
See application file for complete search history.

(56) **References Cited**

**U.S. PATENT DOCUMENTS**

D187,172 S *	2/1960	Hale	.....	D24/224
4,043,678 A *	8/1977	Farrell et al.	.....	356/246
D258,266 S *	2/1981	Curran et al.	.....	D24/224
4,358,908 A *	11/1982	Song	.....	47/69
D325,258 S *	4/1992	Andersen et al.	.....	D24/169
D330,428 S	10/1992	Lewis et al.		
D342,793 S	12/1993	Balmer		

D365,153 S *	12/1995	Robertson, Jr.	.....	D24/224
D380,555 S	7/1997	Kurosaki et al.		
D401,700 S	11/1998	Gray et al.		
D411,014 S *	6/1999	Berger et al.	.....	D24/224
6,117,391 A	9/2000	Mootz et al.		
D482,454 S *	11/2003	Gebrian	.....	D24/224
D544,610 S *	6/2007	Ouchi et al.	.....	D24/224
D560,816 S	1/2008	Talmer et al.		
D583,481 S	12/2008	Yamamoto et al.		
D610,699 S *	2/2010	Laudo et al.	.....	D24/216
D661,403 S *	6/2012	Connelly et al.	.....	D24/224
D664,845 S *	8/2012	Everson	.....	D9/432
2010/0137778 A1	6/2010	Kunjan et al.		
2012/0156796 A1	6/2012	Drechsler et al.		

\* cited by examiner

*Primary Examiner* — Anhdao Doan

(74) *Attorney, Agent, or Firm* — 24IP Law Group; Timothy R DeWitt

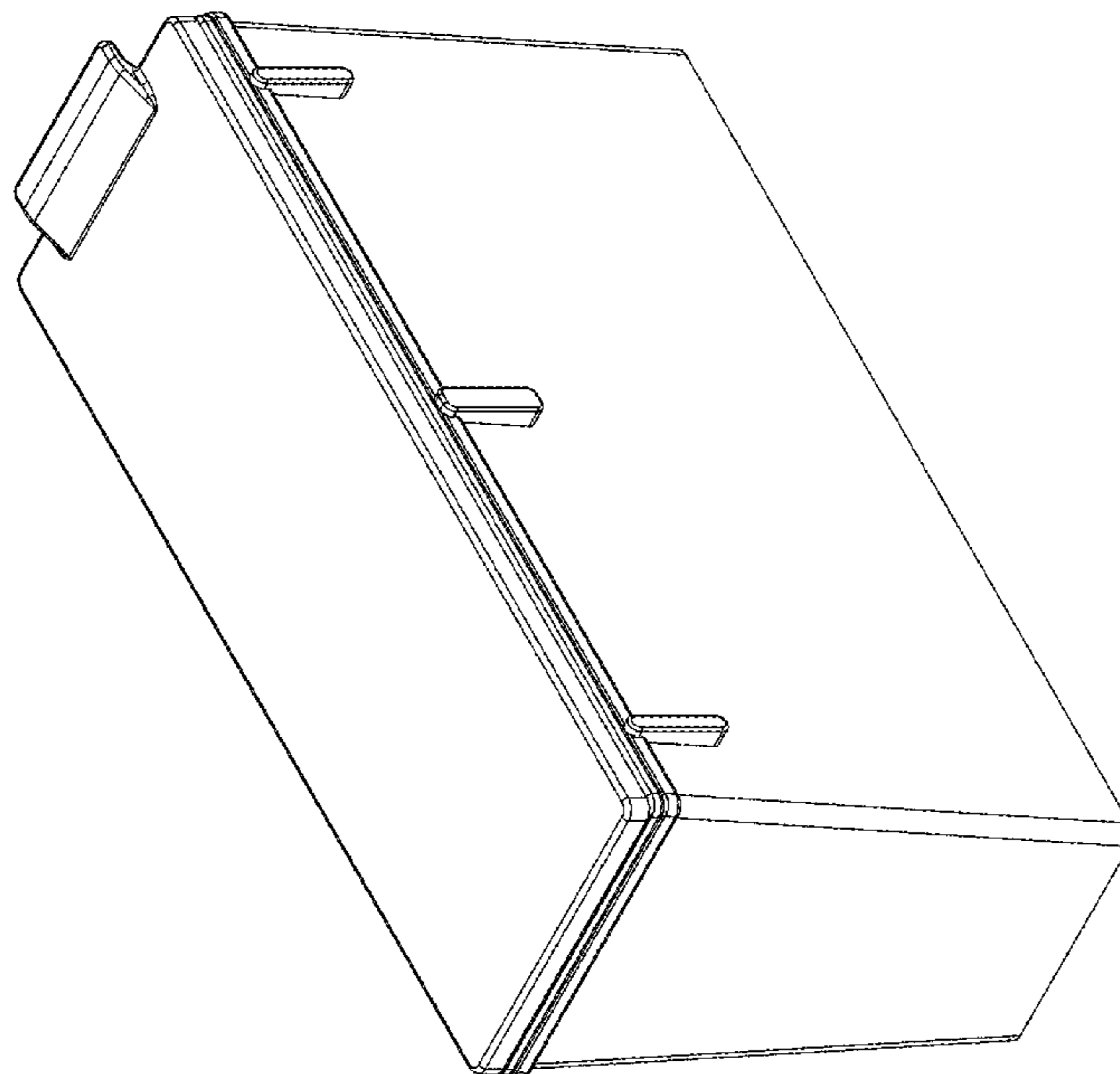
(57) **CLAIM**

The ornamental design for a container for diagnostic products, as shown and described.

**DESCRIPTION**

FIG. 1 is a first side view of a container for diagnostic products showing my new design;  
FIG. 2 is a second side view thereof;  
FIG. 3 is an end view thereof;  
FIG. 4 is a top view thereof;  
FIG. 5 is a bottom view thereof;  
FIG. 6 is a first bottom perspective view thereof;  
FIG. 7 is a second bottom perspective view thereof;  
FIG. 8 is a first top perspective view thereof; and,  
FIG. 9 is a second top perspective view thereof.

**1 Claim, 9 Drawing Sheets**



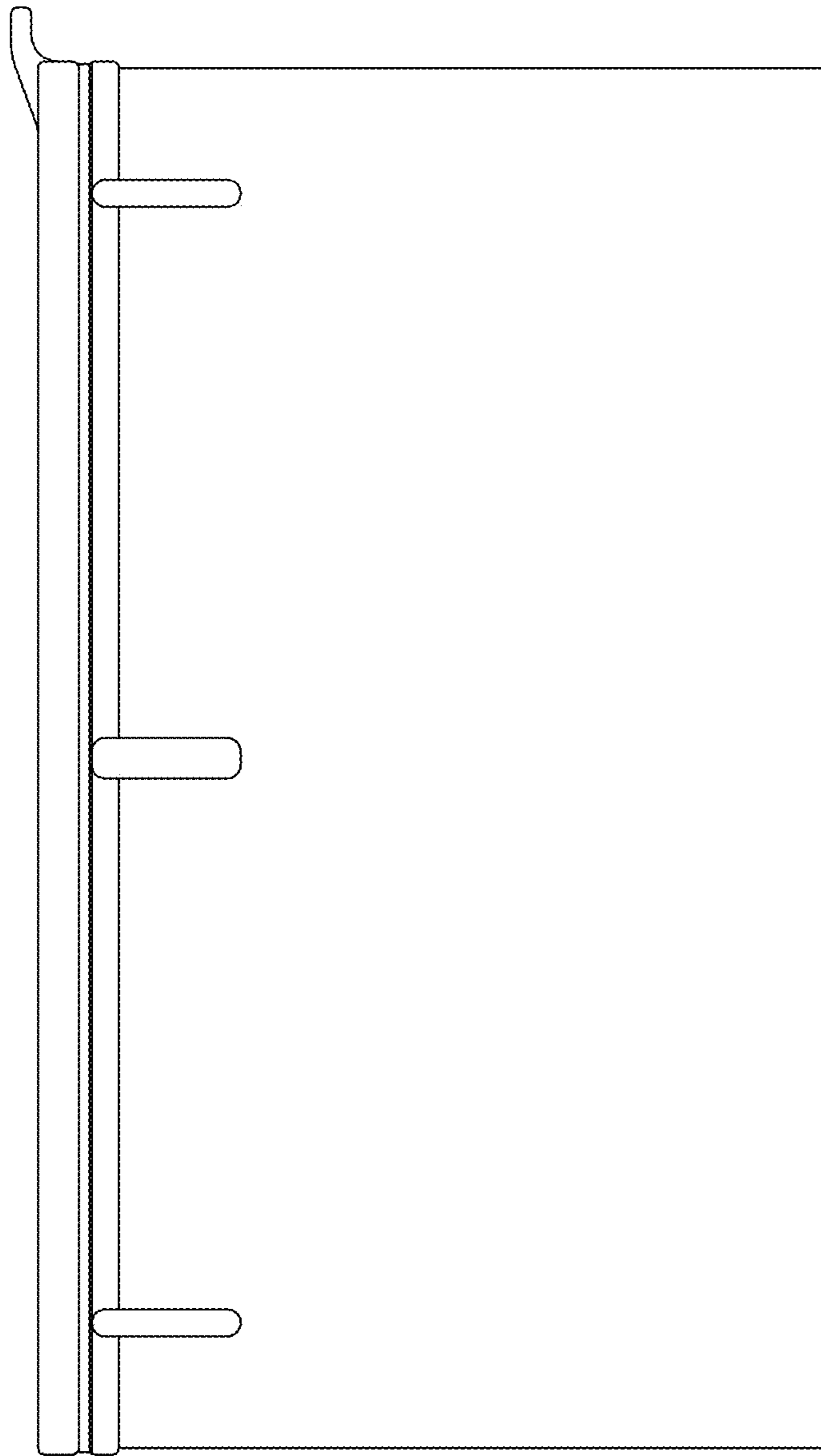


FIG. 1

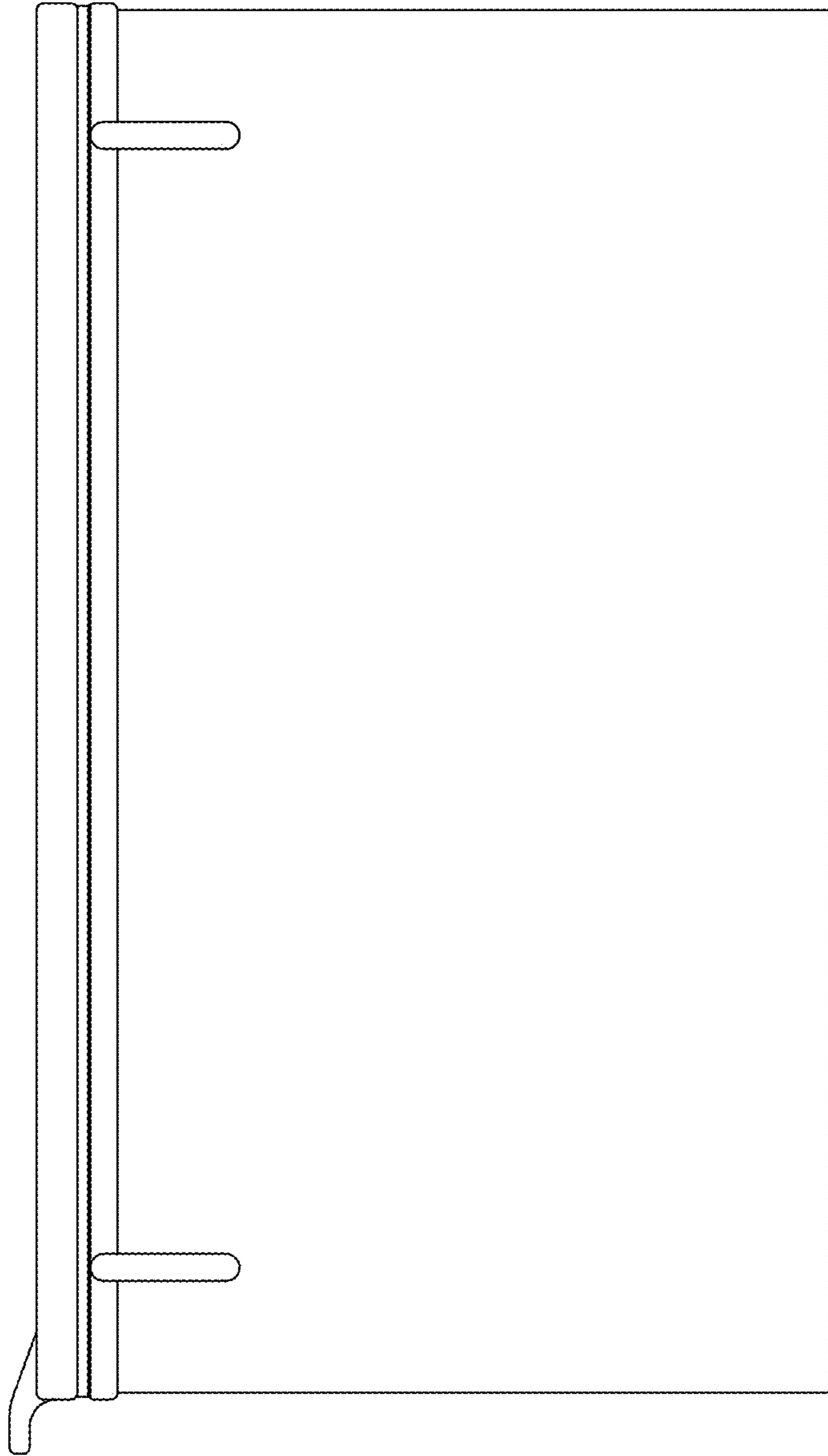


FIG. 2

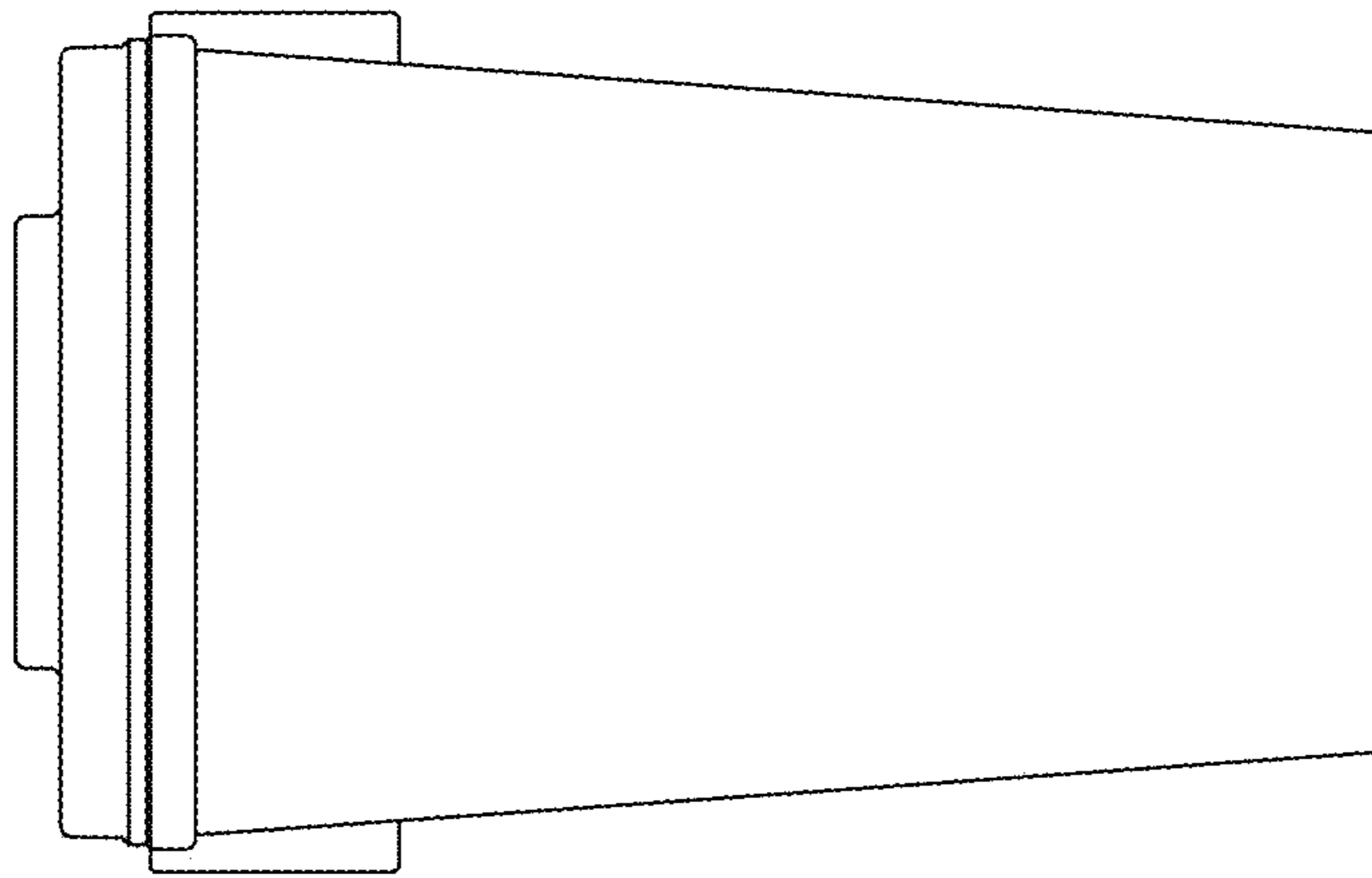


FIG. 3

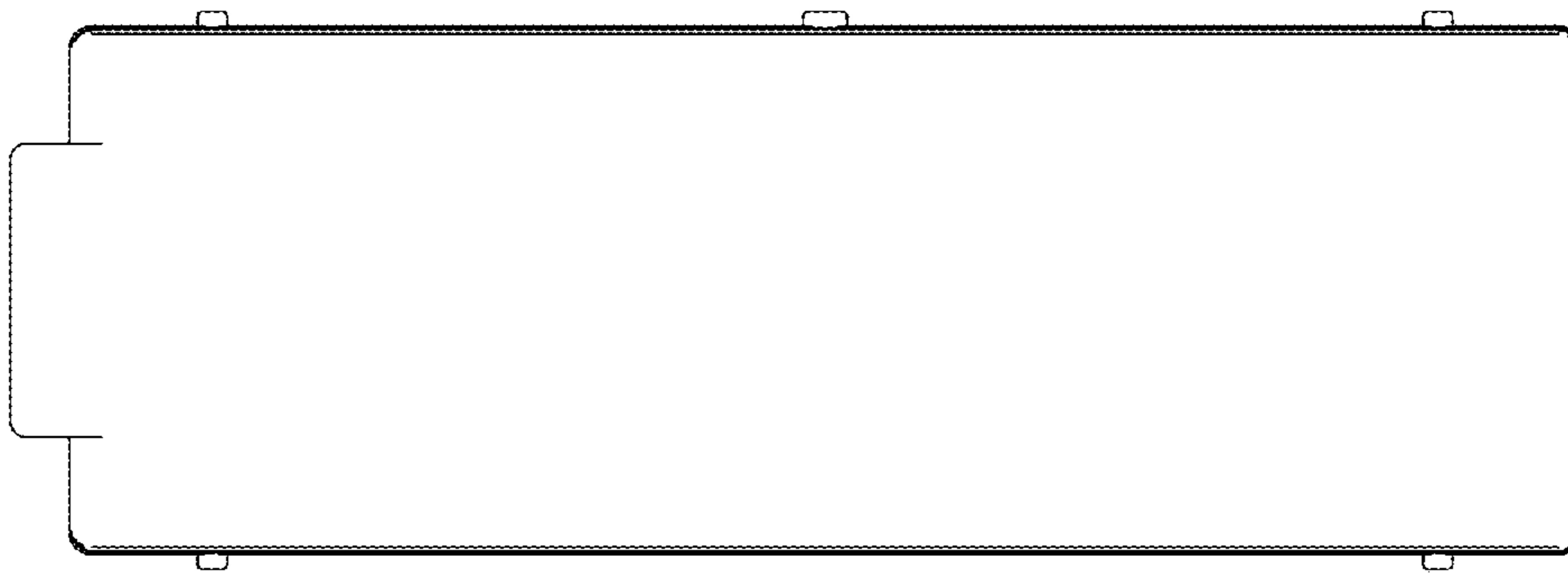


FIG. 4

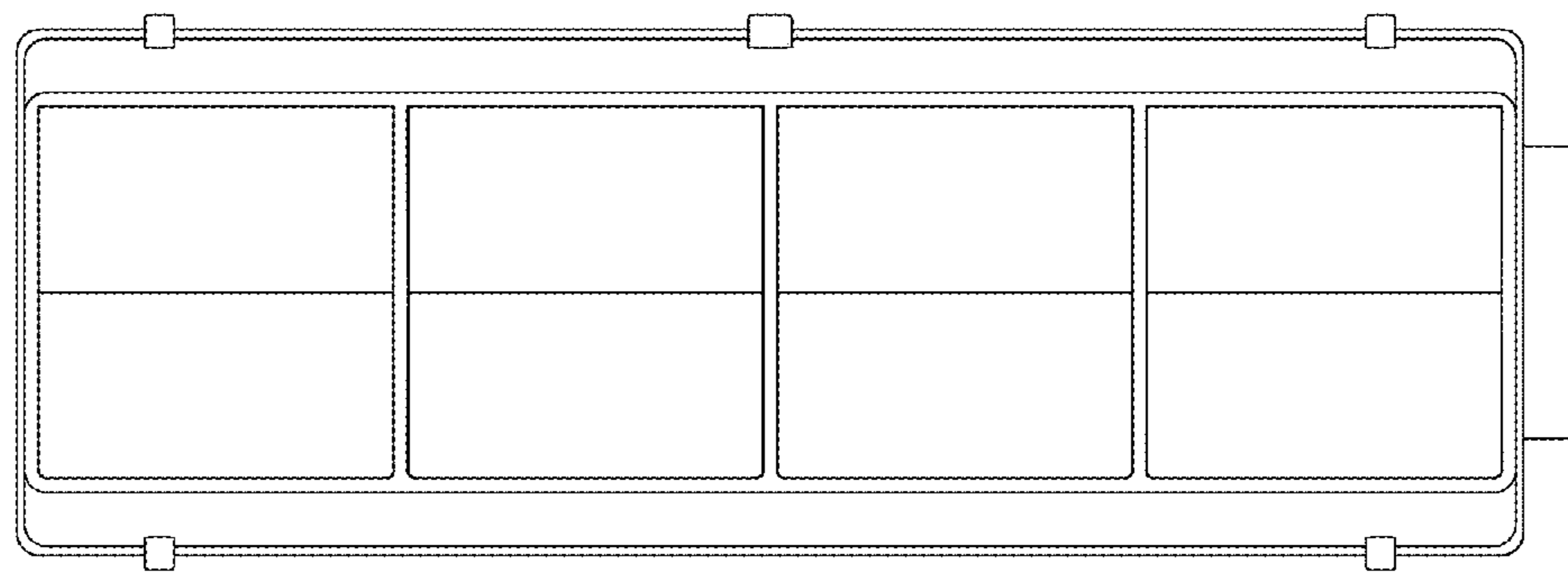


FIG. 5

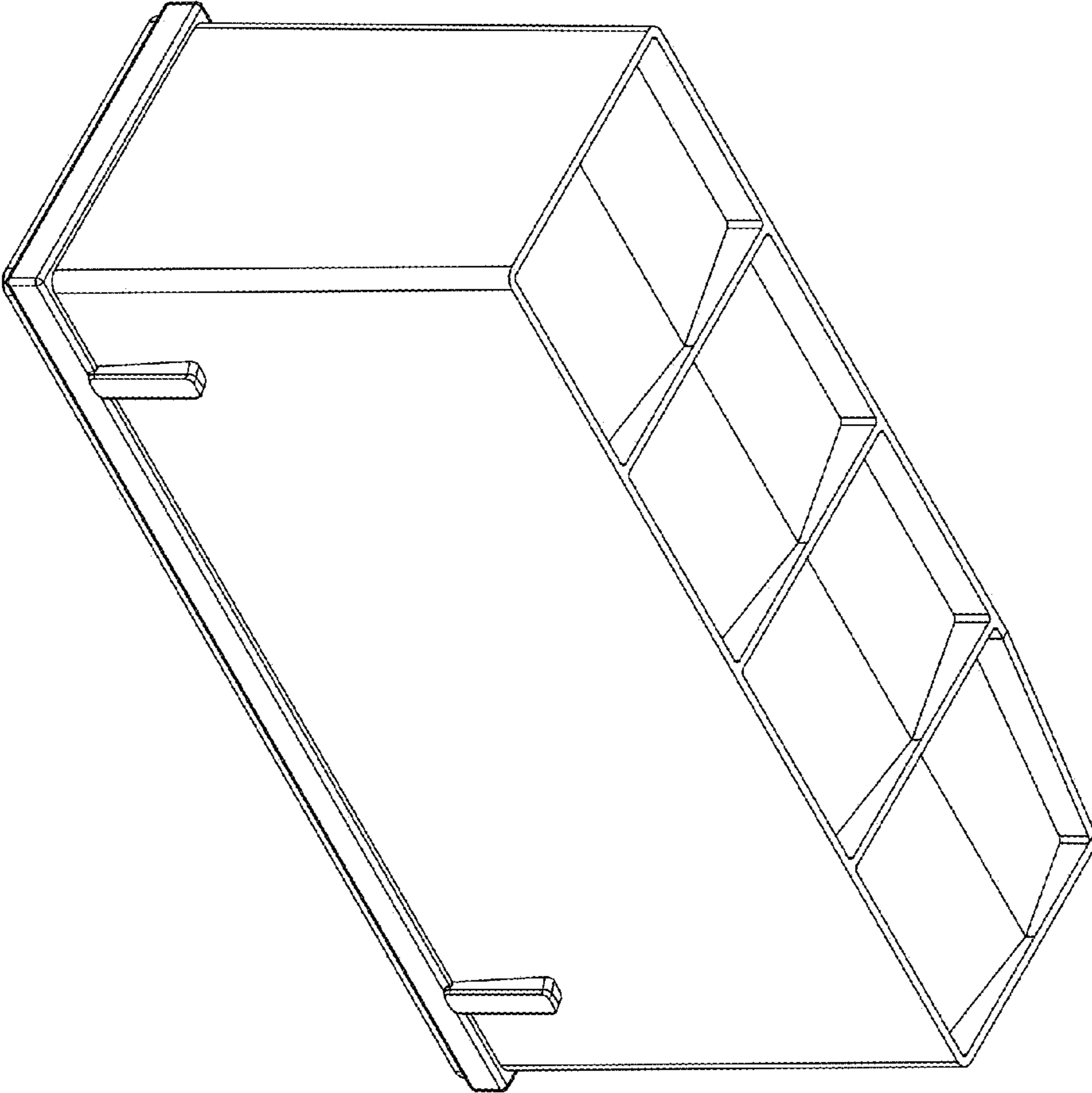


FIG. 6

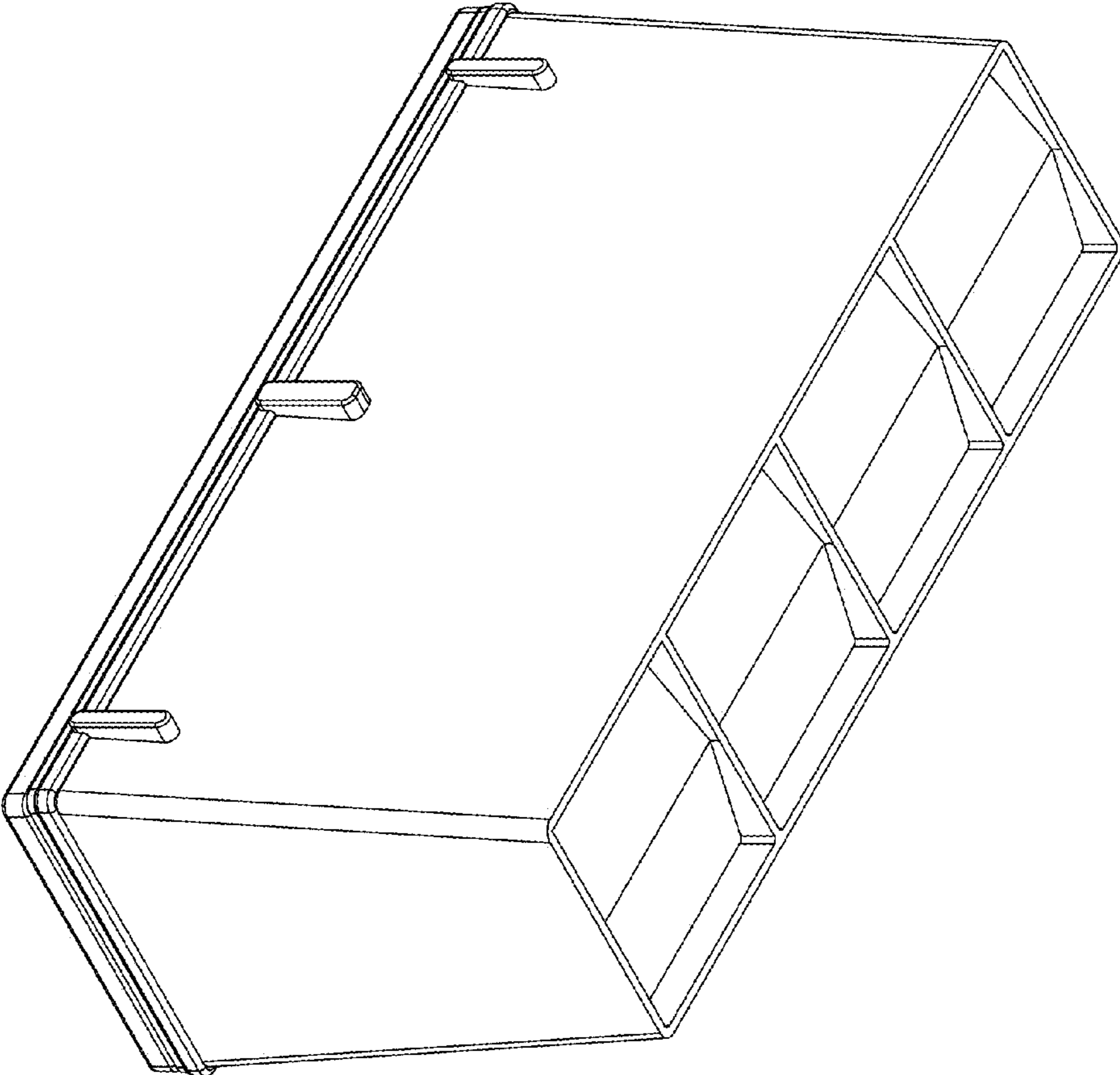


FIG. 7



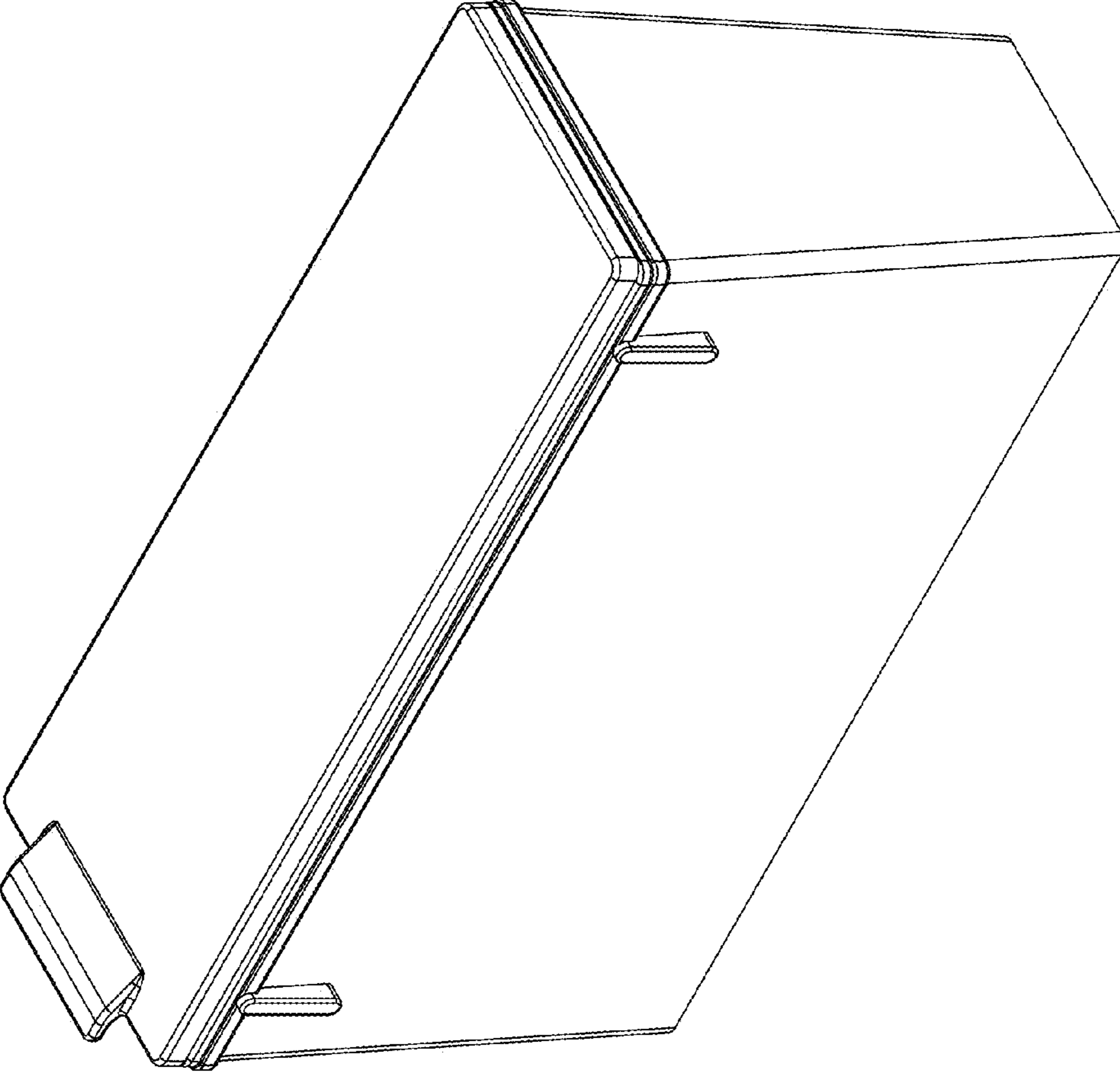


FIG. 8

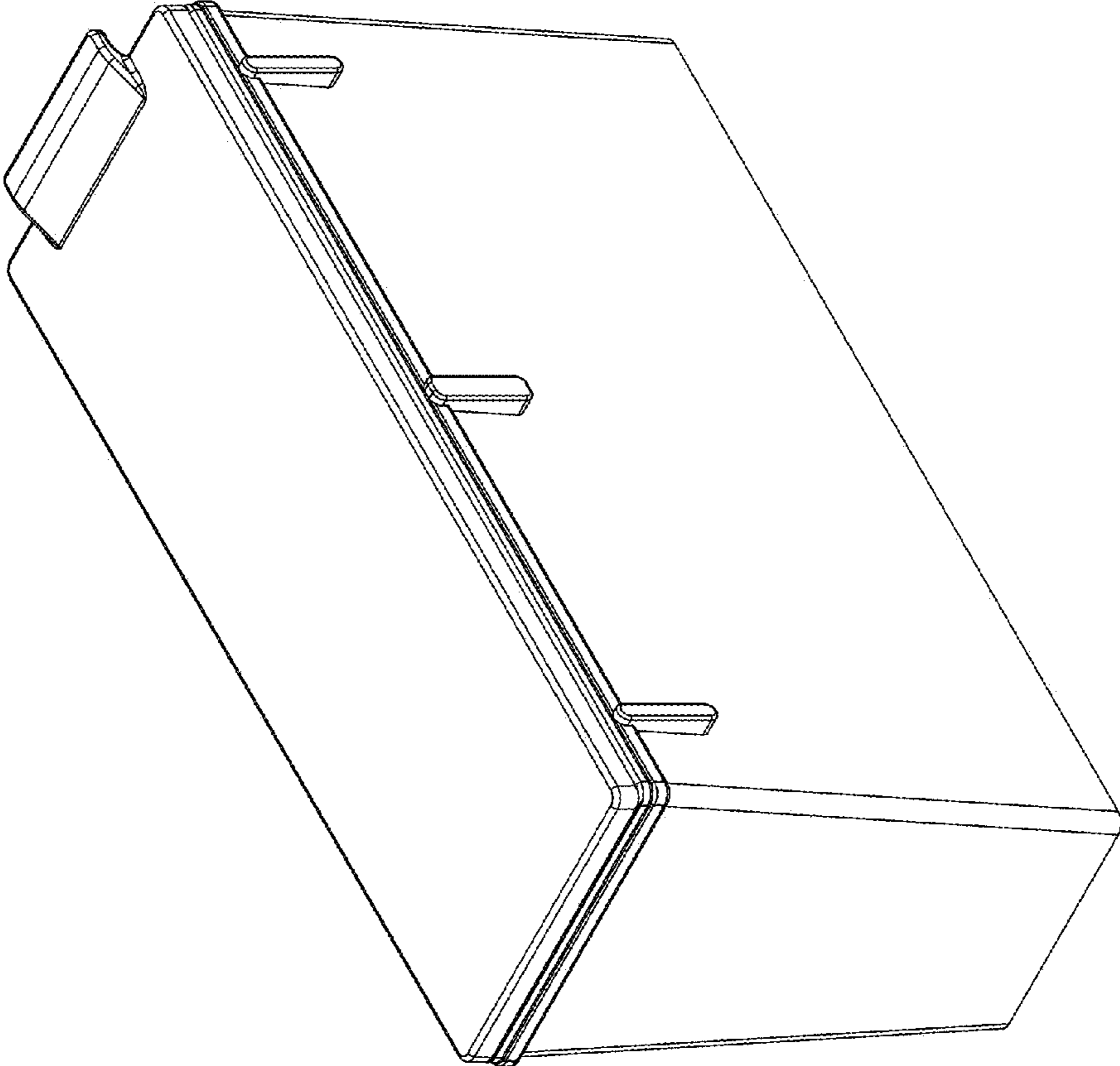


FIG. 9