



US00D711548S

(12) **United States Design Patent**  
**Heilman**

(10) **Patent No.:** **US D711,548 S**

(45) **Date of Patent:** **\*\* Aug. 19, 2014**

(54) **MASSAGER**

(71) Applicant: **Bubble Love, LLC**, Culver City, CA  
(US)

(72) Inventor: **David D. Heilman**, Geneseo, IL (US)

(\*\*) Term: **14 Years**

(21) Appl. No.: **29/479,086**

(22) Filed: **Jan. 10, 2014**

(51) **LOC (10) Cl.** ..... **28-03**

(52) **U.S. Cl.**  
USPC ..... **D24/215**

(58) **Field of Classification Search**  
USPC ..... D24/200, 211, 212, 213, 214, 215;  
601/19, 27-32, 46, 49, 52, DIG. 12,  
601/DIG. 14, DIG. 15, DIG. 16, DIG. 17;  
D21/685  
See application file for complete search history.

(56) **References Cited**

**U.S. PATENT DOCUMENTS**

D303,838 S \* 10/1989 Lien-Fui ..... D24/214  
D517,752 S \* 3/2006 Byrne ..... D30/160

D568,490 S \* 5/2008 Nan ..... D24/215  
D581,530 S \* 11/2008 Thierfelder et al. .... D24/133  
D631,477 S \* 1/2011 Cacioppo et al. .... D14/411  
D637,308 S \* 5/2011 Imboden et al. .... D24/215  
D643,128 S \* 8/2011 Mohamed et al. .... D24/215  
D696,413 S \* 12/2013 Tai ..... D24/215  
D696,933 S \* 1/2014 Quinn et al. .... D9/415

\* cited by examiner

*Primary Examiner* — Sandra Snapp

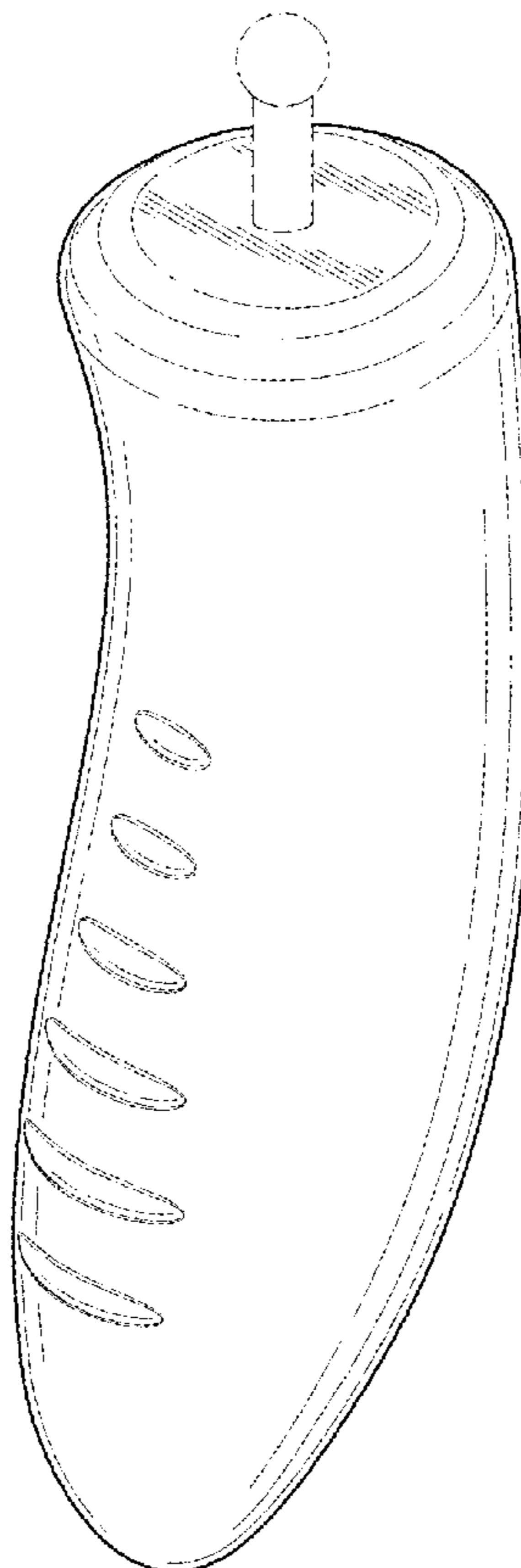
(57) **CLAIM**

The ornamental design for a massager, as shown and described.

**DESCRIPTION**

FIG. 1 is a front perspective view showing my new design;  
FIG. 2 is a front elevation view thereof;  
FIG. 3 is a rear elevation view thereof;  
FIG. 4 is a right side elevation view thereof;  
FIG. 5 is a left side elevation view thereof;  
FIG. 6 is a top plan view thereof; and,  
FIG. 7 is a bottom plan view thereof.  
The broken lines in the Figures are for environment only and form no part of the claimed design.

**1 Claim, 6 Drawing Sheets**



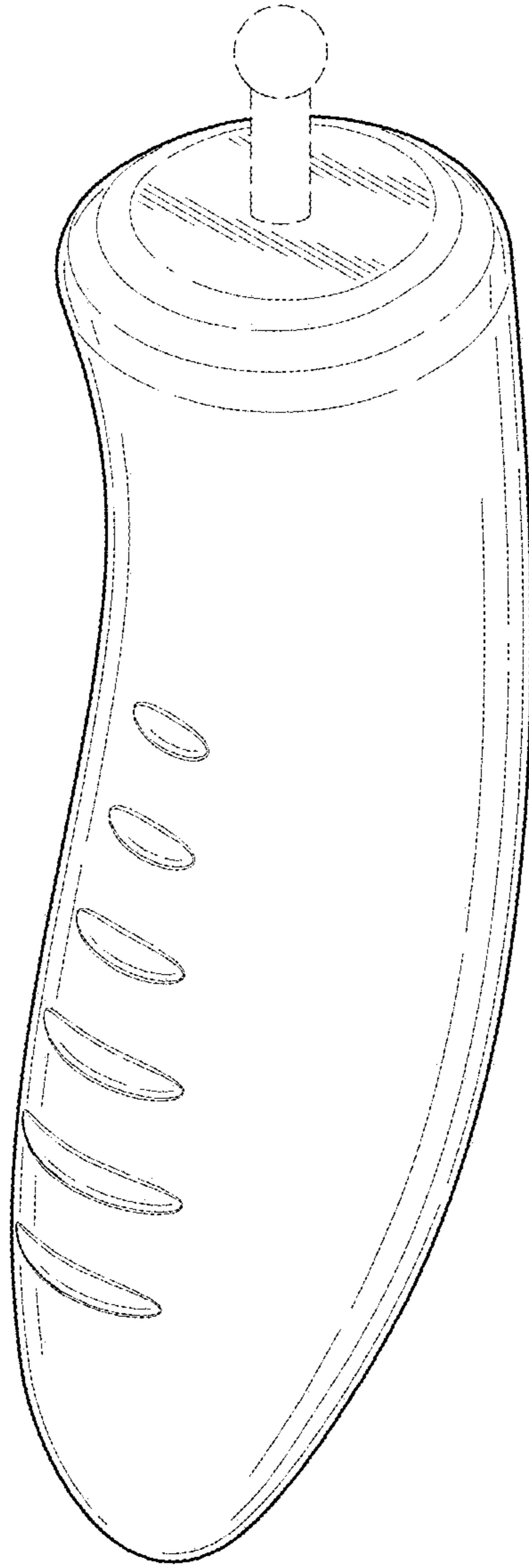


FIG. 1

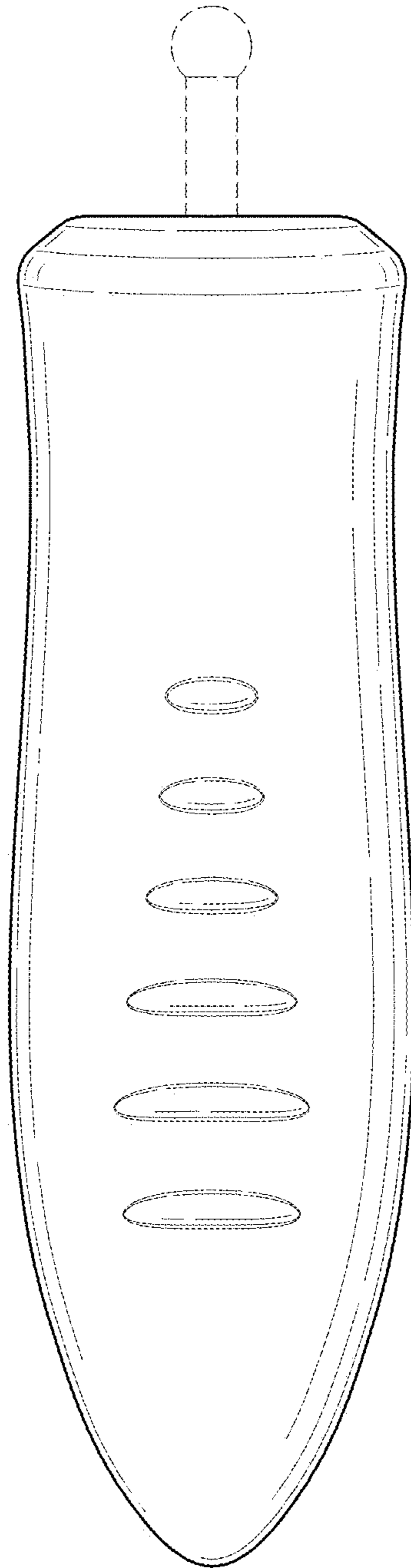


FIG. 2

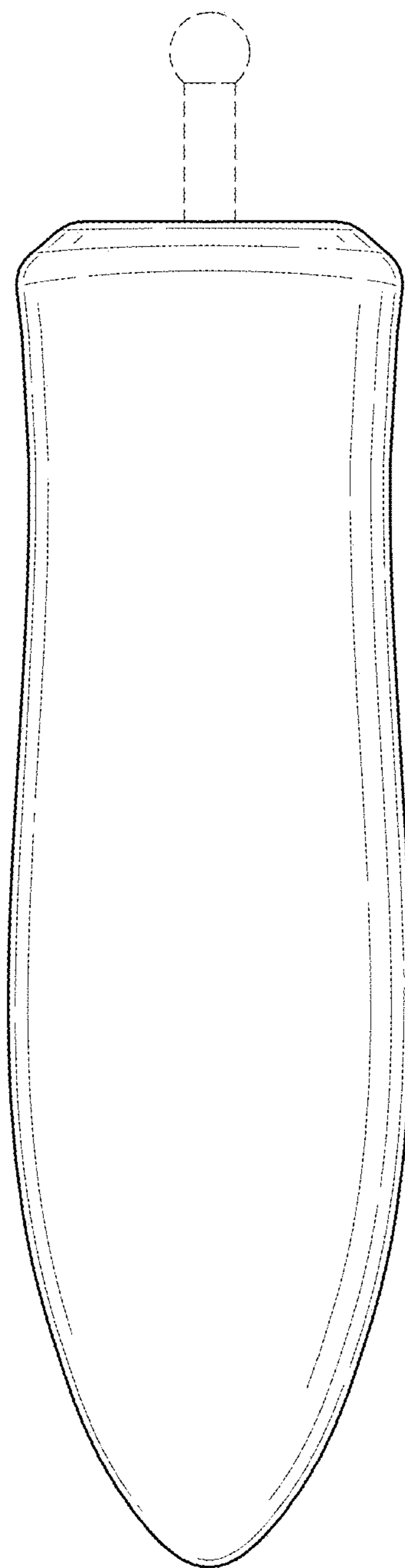


FIG. 3

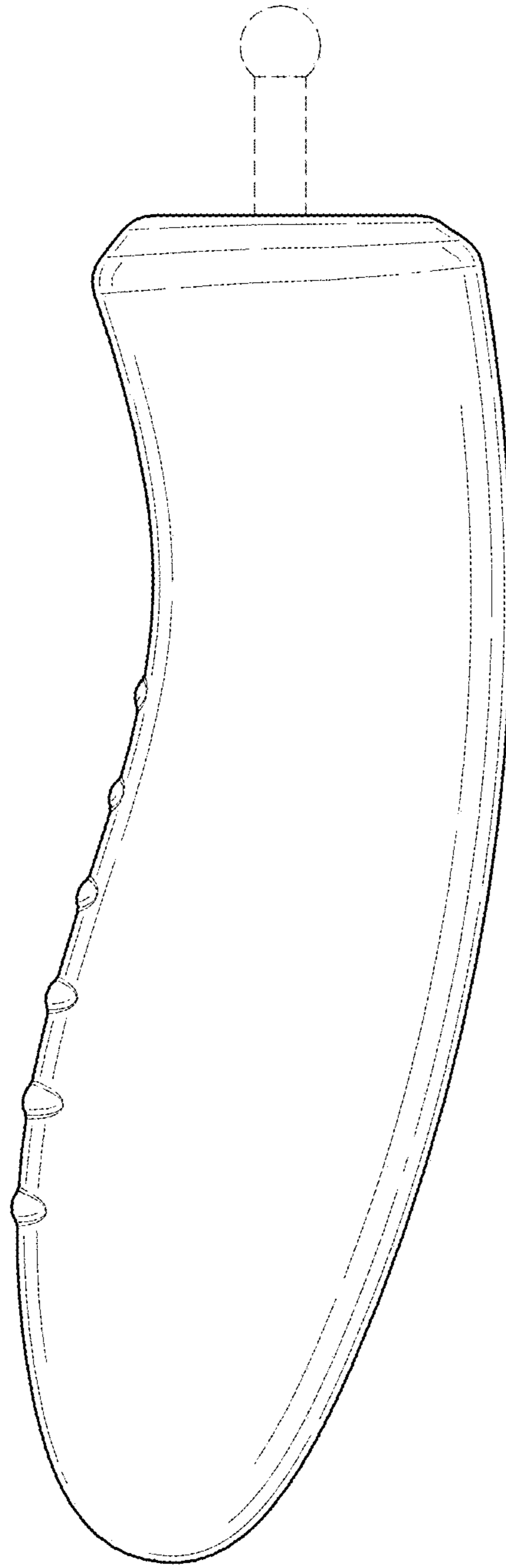


FIG. 4

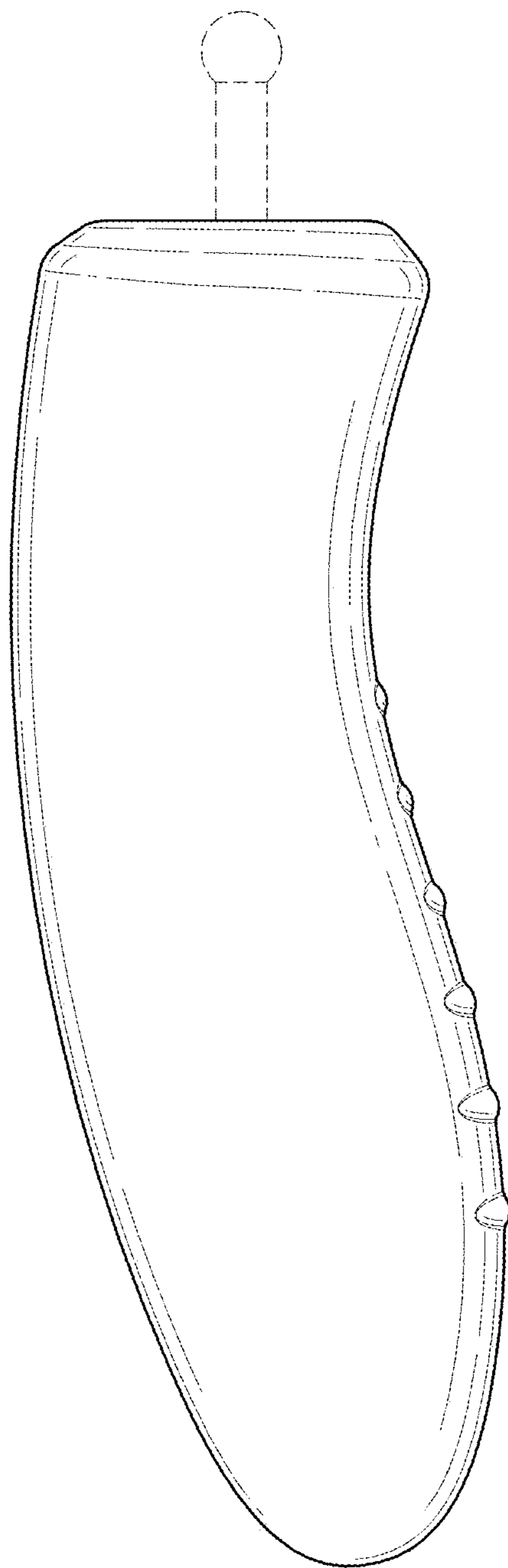


FIG. 5

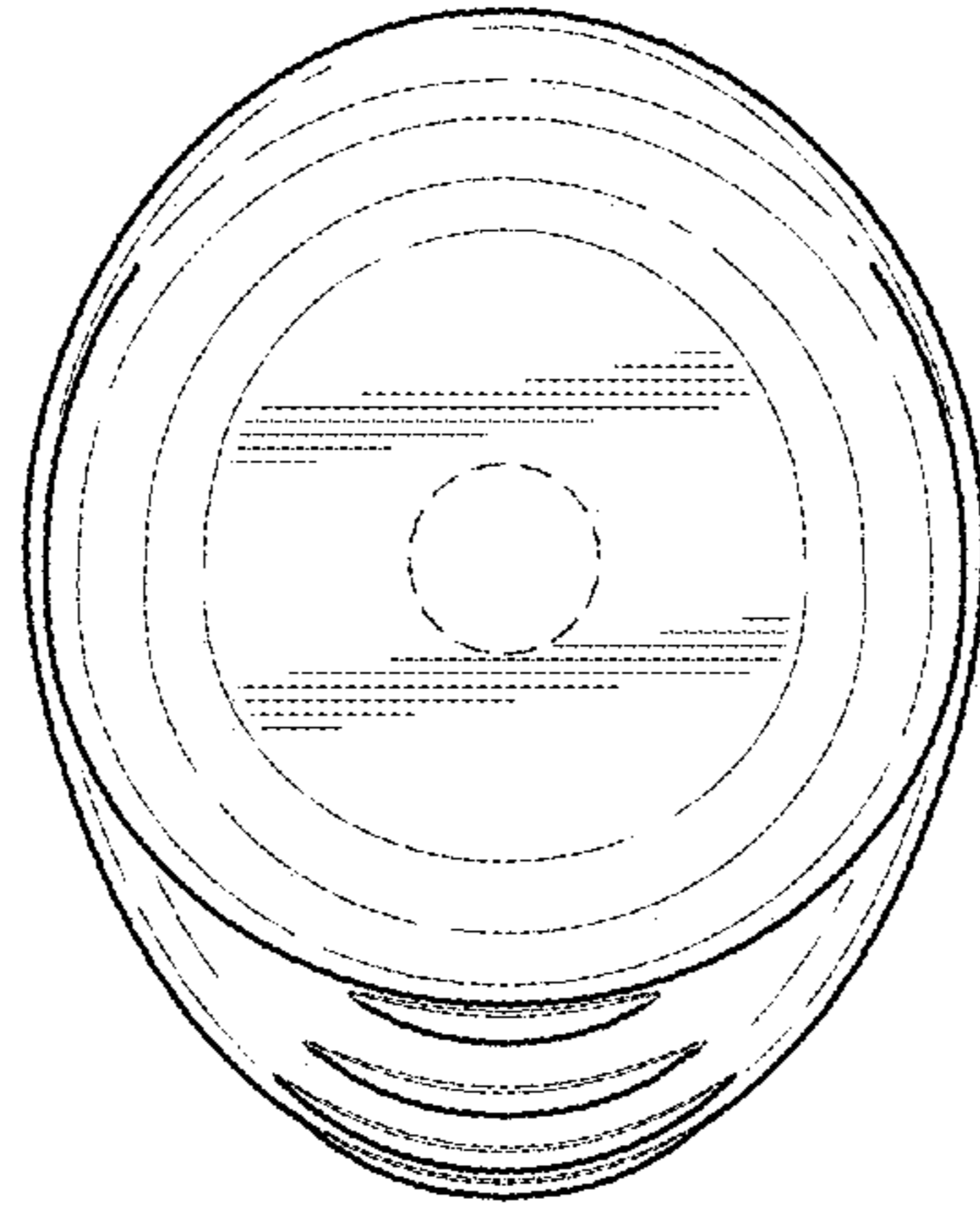


FIG. 6

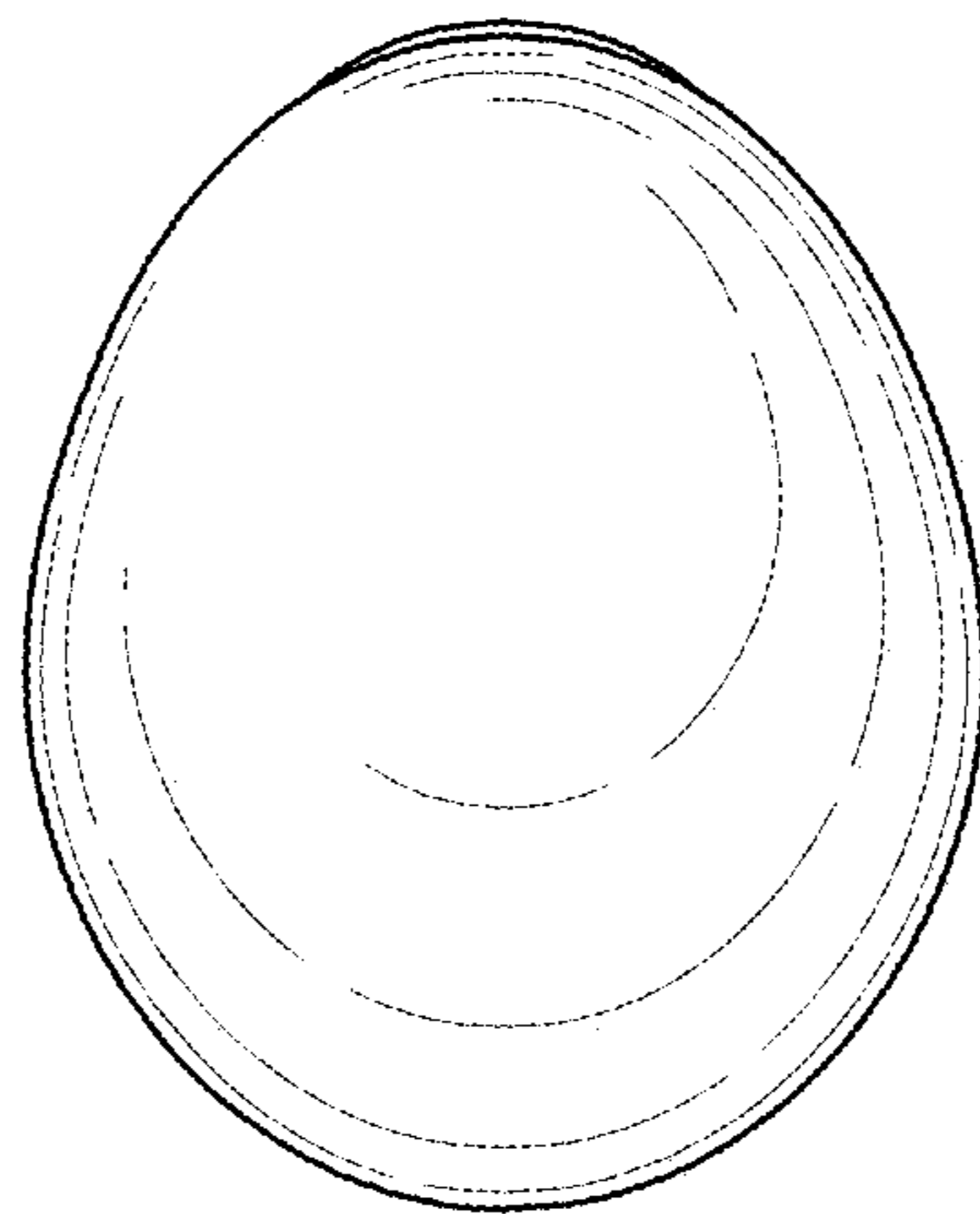


FIG. 7