



US00D711547S

(12) **United States Design Patent**
Hardy et al.

(10) **Patent No.:** **US D711,547 S**

(45) **Date of Patent:** **** Aug. 19, 2014**

(54) **THERAPEUTIC FOOT ROLLER**
(75) Inventors: **Scott Hardy**, New Haven, VT (US);
Nathan Ayer, Weybridge, VT (US); **Joel Palmer**, Vergennes, VT (US)

(73) Assignee: **Linekia**, Vergennes, VT (US)

(**) Term: **14 Years**

(21) Appl. No.: **29/423,992**

(22) Filed: **Jun. 6, 2012**

(51) **LOC (10) Cl.** **28-03**

(52) **U.S. Cl.**
USPC **D24/213**

(58) **Field of Classification Search**
USPC D24/200, 211, 212, 213, 214, 215;
601/114, 120, 121, 124, 125, 130, 131,
601/134, 135, 136, 137

See application file for complete search history.

(56) **References Cited**

U.S. PATENT DOCUMENTS

4,109,649 A * 8/1978 Iyomasa 601/121
4,378,007 A * 3/1983 Kachadourian 601/121
D274,649 S * 7/1984 Shiu D24/212

6,129,687 A * 10/2000 Powell et al. 601/15
6,398,694 B1 * 6/2002 Bountourakis 482/44
D497,457 S * 10/2004 Willinger D30/160
D527,830 S * 9/2006 Chien D24/211
D598,562 S * 8/2009 Chen D24/211
D613,349 S * 4/2010 Metti D21/662
D623,310 S * 9/2010 Cheng D24/211
D637,244 S * 5/2011 Davis et al. D21/662
D647,980 S * 11/2011 Davis et al. D21/662
D660,450 S * 5/2012 Johnson D24/215
D674,107 S * 1/2013 Prudent et al. D24/211
D682,436 S * 5/2013 Lowsky D24/194

* cited by examiner

Primary Examiner — Sandra Snapp

(74) *Attorney, Agent, or Firm* — Alan Coté; Green Mountain Innovations LLC

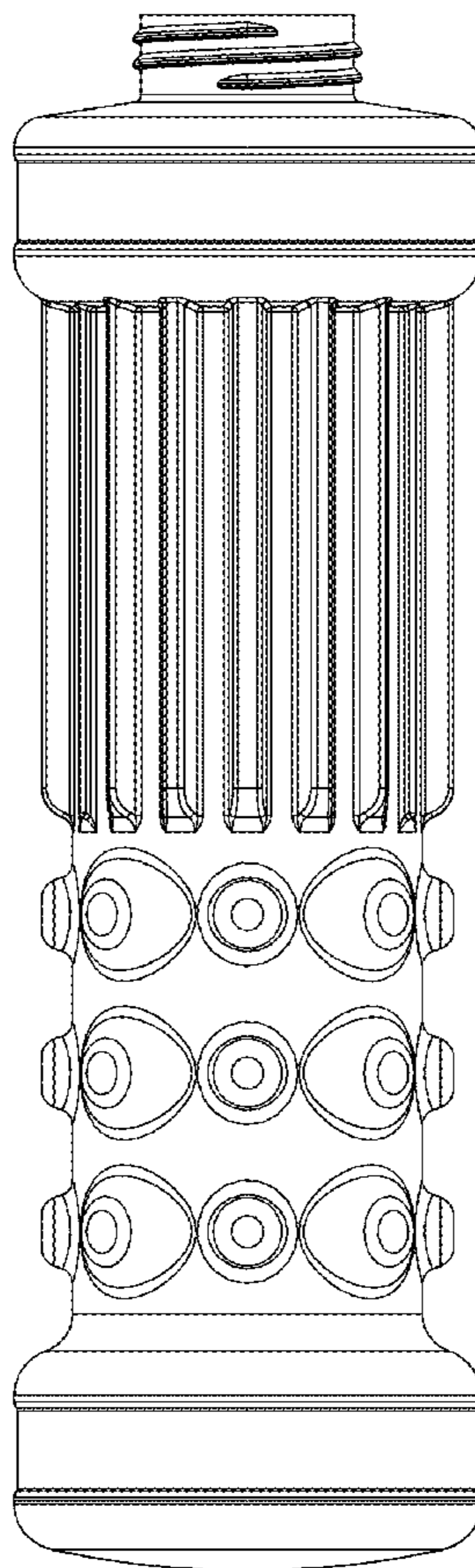
(57) **CLAIM**

We claim the ornamental design for a therapeutic foot roller, as shown.

DESCRIPTION

FIG. 1 is a front view of the invention
FIG. 2 is a side view, left or right, of the invention
FIG. 3 is an isometric front view of the invention; and,
FIG. 4 is a bottom view of the invention.
The broken lines are for illustrative purposes only, and form no part of the claimed design.

1 Claim, 4 Drawing Sheets



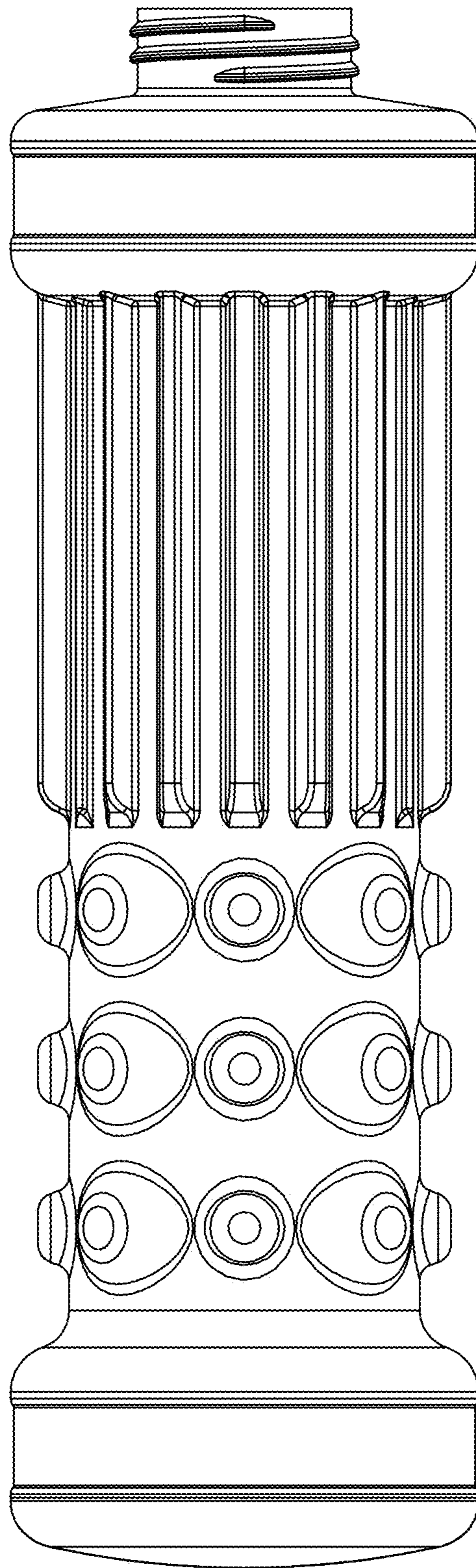


FIG. 1

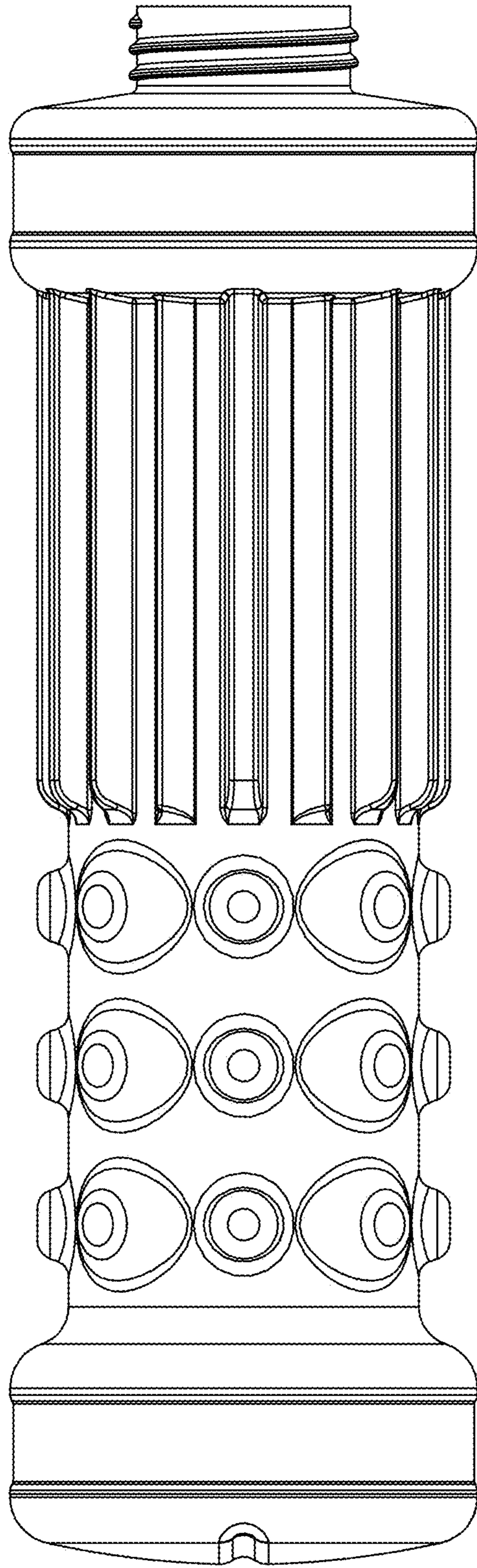


FIG. 2

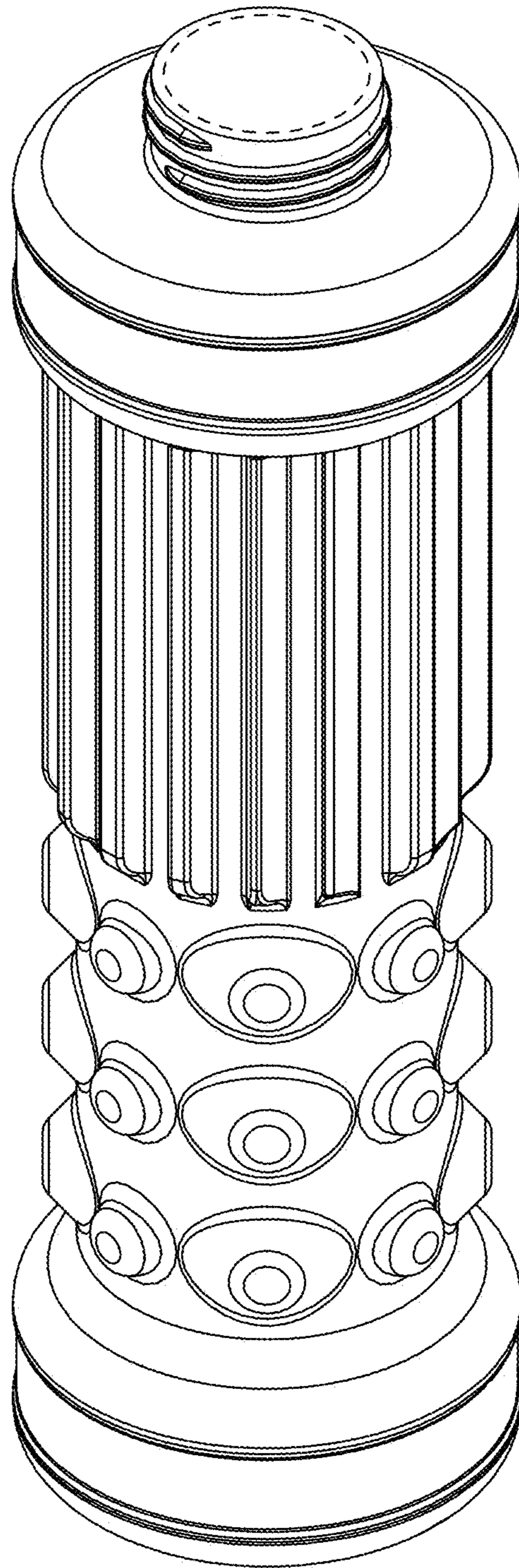


FIG. 3

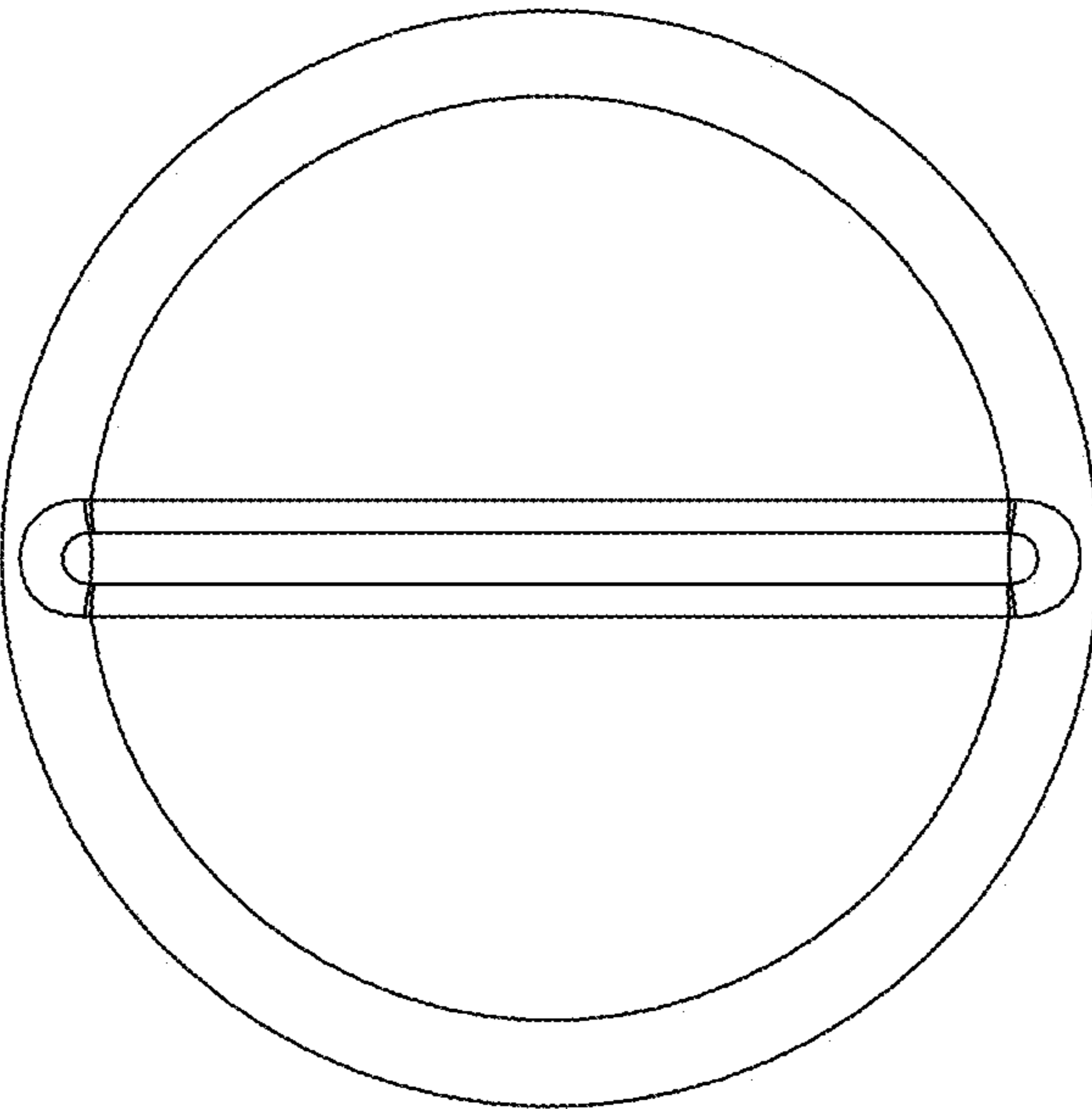


FIG. 4