



US00D711545S

(12) **United States Design Patent**
Soltesz-Nagy

(10) **Patent No.:** **US D711,545 S**

(45) **Date of Patent:** **** Aug. 19, 2014**

(54) **SOLARIUM EQUIPMENT**

(71) Applicant: **Attila Soltesz-Nagy**, Budapest (HU)

(72) Inventor: **Attila Soltesz-Nagy**, Budapest (HU)

(**) Term: **14 Years**

(21) Appl. No.: **29/462,406**

(22) Filed: **Aug. 2, 2013**

(30) **Foreign Application Priority Data**

Feb. 5, 2013 (WO) DM/081 206

(51) **LOC (10) CL.** **28-03**

(52) **U.S. Cl.**
USPC **D24/210**

(58) **Field of Classification Search**
CPC A61N 5/0614; A61N 2005/0636;
A61N 2005/0655; A61N 5/0616; A61N
2005/0633; A61N 2005/0652; A61N
2005/0659; A61M 35/00
USPC D24/133, 158, 163, 188, 200, 209–210;
607/88–95
See application file for complete search history.

(56) **References Cited**

U.S. PATENT DOCUMENTS

- 4,590,940 A * 5/1986 Pigmans 607/91
- 4,600,009 A * 7/1986 Kramer et al. 607/91
- 4,660,561 A * 4/1987 Nielsen 607/91
- 4,683,886 A * 8/1987 Kramer et al. 607/91
- 4,918,319 A * 4/1990 Kruithof 250/504 R
- 4,993,091 A * 2/1991 Draper et al. 5/487
- D346,448 S * 4/1994 Hodlund D24/209
- 5,370,673 A * 12/1994 Angelo 607/90
- 5,374,825 A * 12/1994 Doty et al. 250/372
- 5,383,916 A * 1/1995 Brown 607/91
- 5,683,437 A * 11/1997 Doty 607/91
- 5,725,565 A * 3/1998 Smith 607/88
- 6,461,376 B1 * 10/2002 Beshore 607/91
- D496,467 S * 9/2004 Elkerbout D24/210

- 6,802,854 B1 * 10/2004 McFarland 607/91
- D512,153 S * 11/2005 Elkerbout D24/210
- D567,948 S * 4/2008 Tierney et al. D24/163
- 7,481,833 B2 * 1/2009 Dussault 607/91
- D651,714 S * 1/2012 Dougherty D24/164

(Continued)

Primary Examiner — Eric Goodman

Assistant Examiner — John Reickel

(74) *Attorney, Agent, or Firm* — Miltons IP/p.i.

(57) **CLAIM**

The ornamental design for a solarium equipment, as shown and described.

DESCRIPTION

FIG. 1 is a top left perspective view of the design as applied to solarium equipment in an open position.

FIG. 2 is a front offset perspective view of the design of FIG. 1 in an open position.

FIG. 3 is a top right perspective view of the design of FIG. 1 in an open position.

FIG. 4 is a front view of the design of FIG. 1 in an open position.

FIG. 5 is a top view of the design of FIG. 1 in an open position.

FIG. 6 is a bottom front left perspective view of the design of FIG. 1 in an open position.

FIG. 7 is a bottom back left perspective view of the design of FIG. 1 in an open position.

FIG. 8 is a bottom front right perspective view of the design of FIG. 1 in an open position.

FIG. 9 is a bottom back right view of the design of FIG. 1 in an open position.

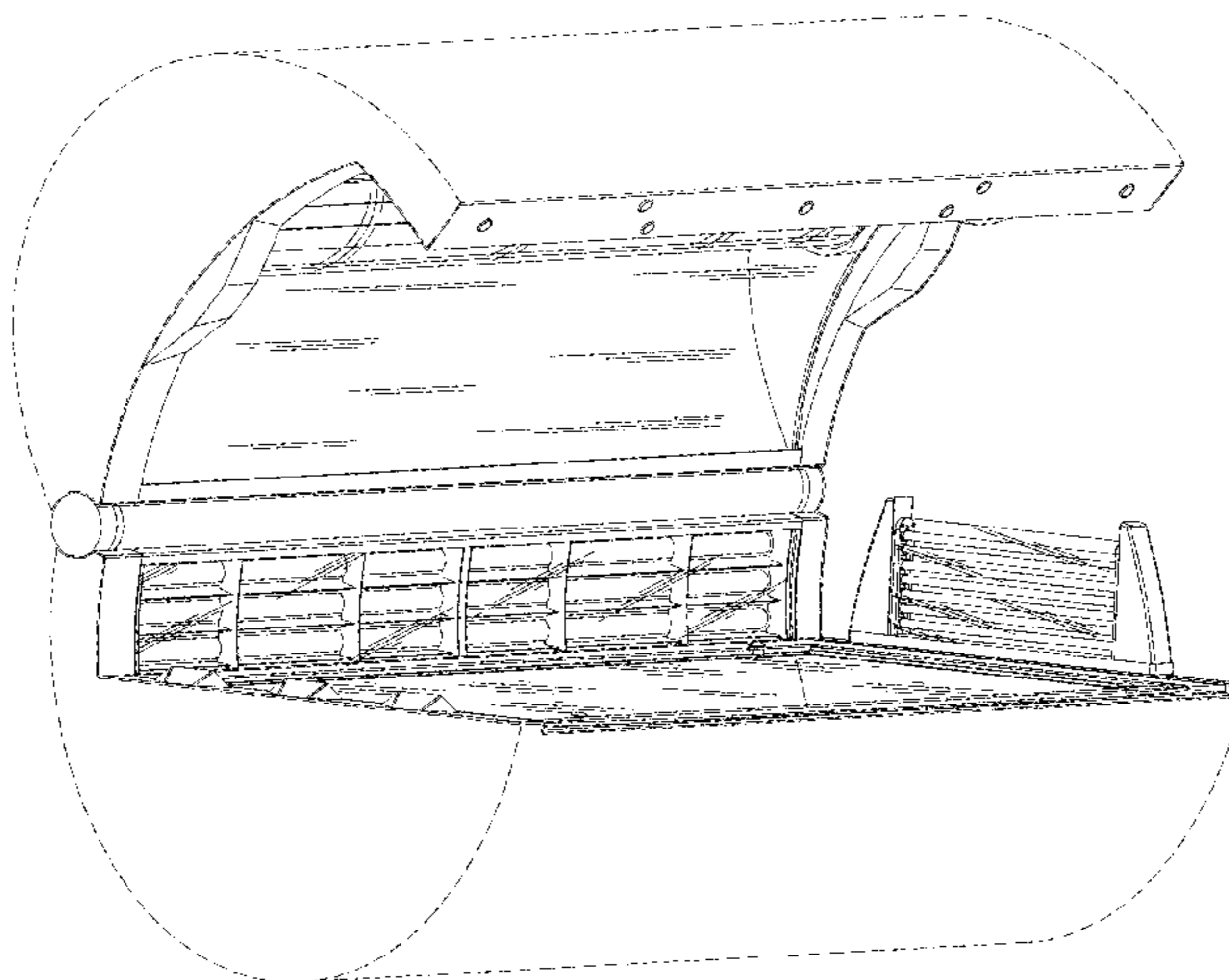
FIG. 10 is a cross-section right view of the design of FIG. 12;

FIG. 11 is a cross-section left view of the design of FIG. 12; and,

FIG. 12 is a view of the design of FIG. 1 offset at an angle and in a closed position.

The broken line(s) which define the bounds of the claimed design form no part thereof.

1 Claim, 12 Drawing Sheets



US D711,545 S

Page 2

(56)

References Cited

U.S. PATENT DOCUMENTS

8,157,849	B1 *	4/2012	Gilbride	607/91	2007/0123959	A1 *	5/2007	Burato et al.	607/94
2004/0088028	A1 *	5/2004	Cameron et al.	607/94	2009/0005839	A1 *	1/2009	Griffith et al.	607/91
2004/0167591	A1 *	8/2004	Brown, Jr.	607/95	2011/0172746	A1 *	7/2011	Porter	607/89
					2012/0150265	A1 *	6/2012	Vargas et al.	607/91

* cited by examiner

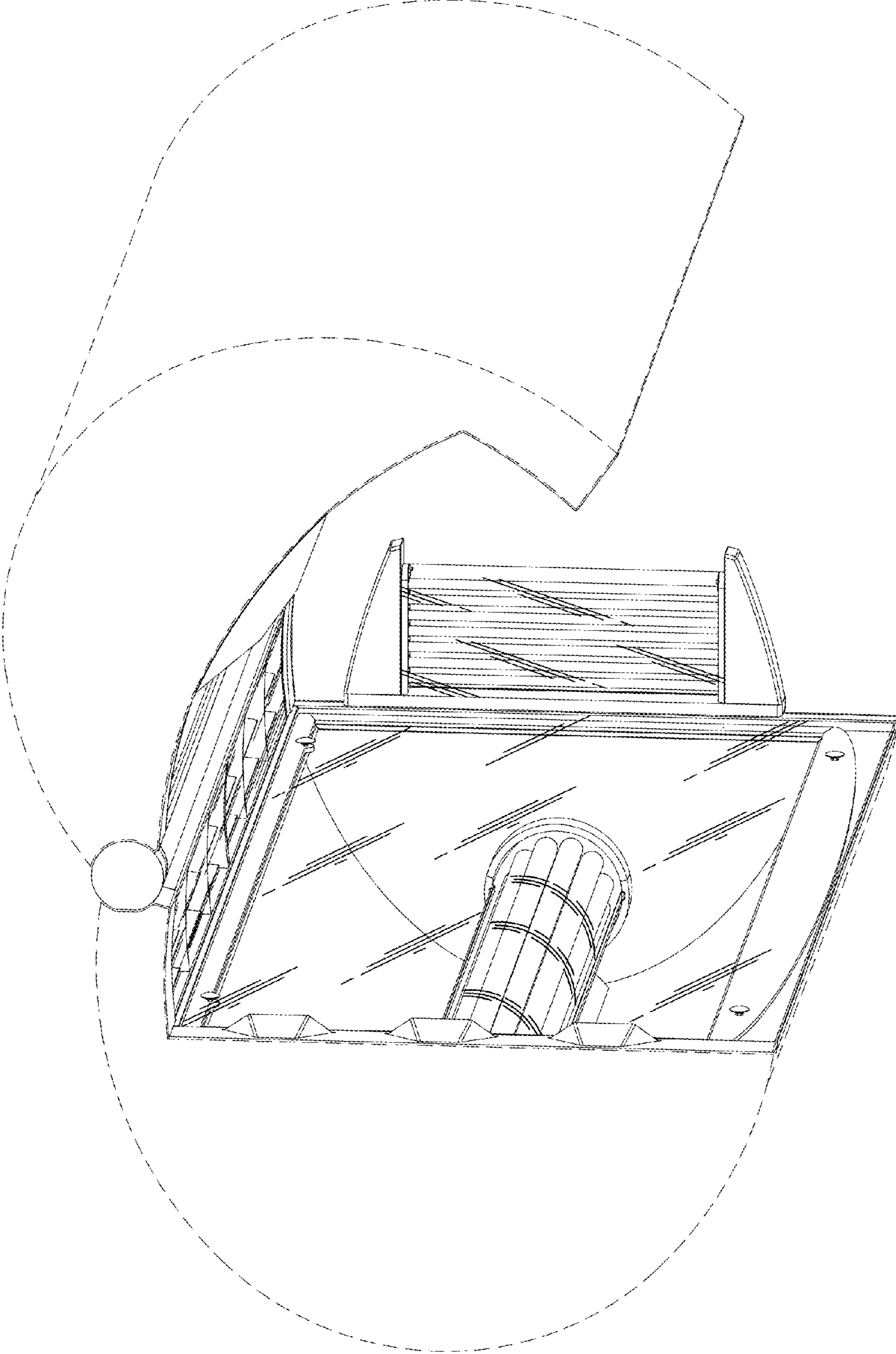


Figure 1

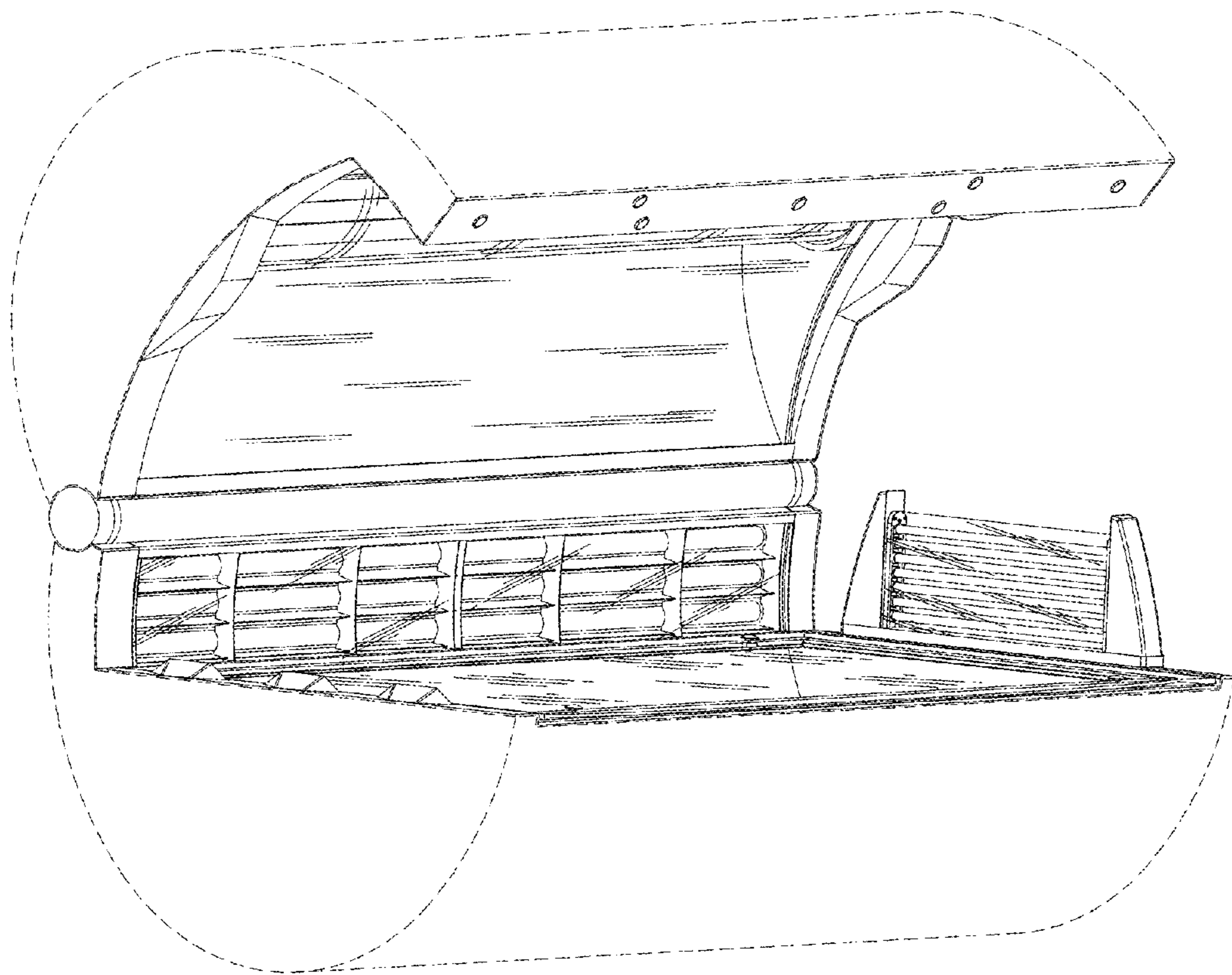


Figure 2

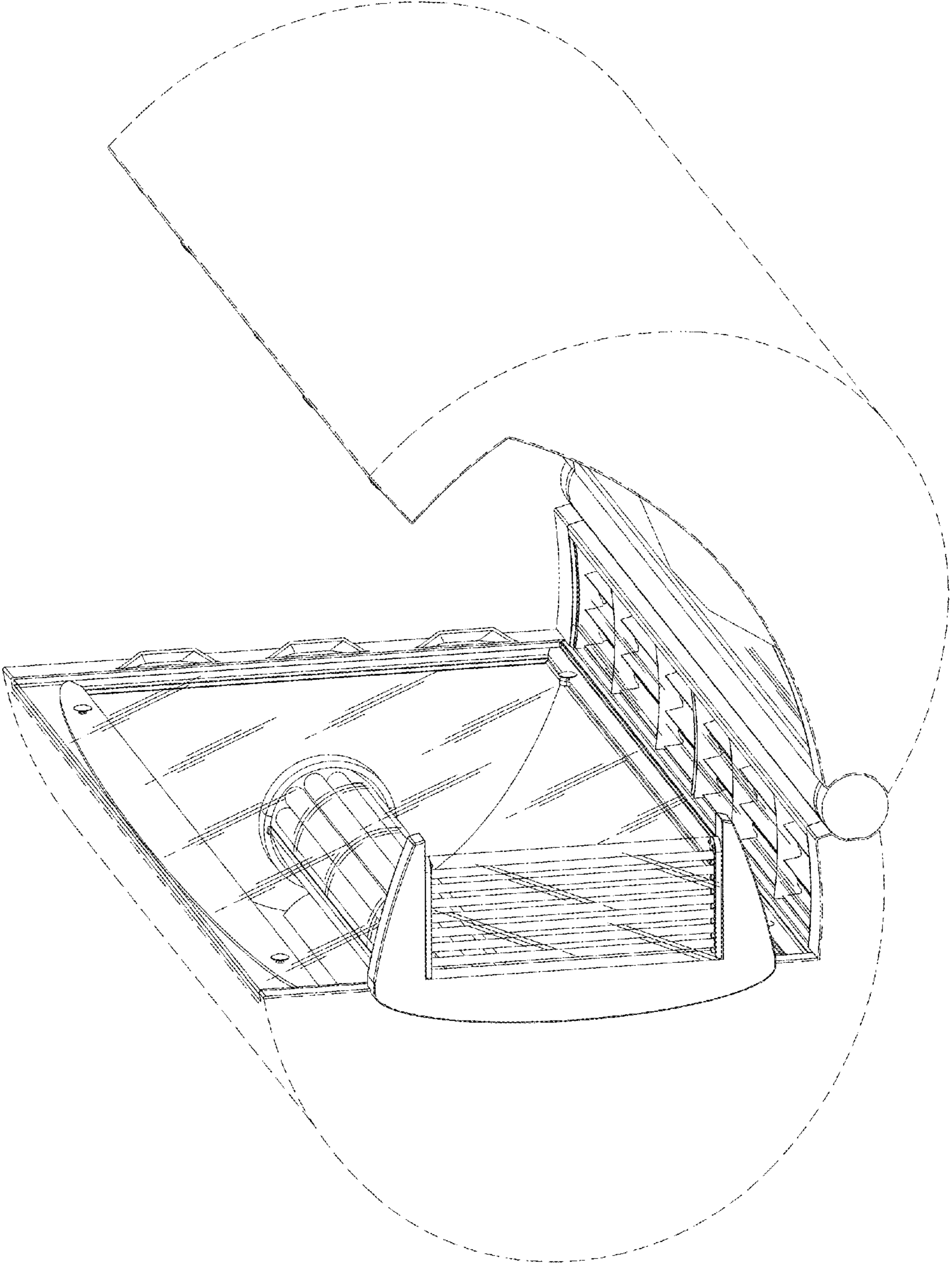


Figure 3

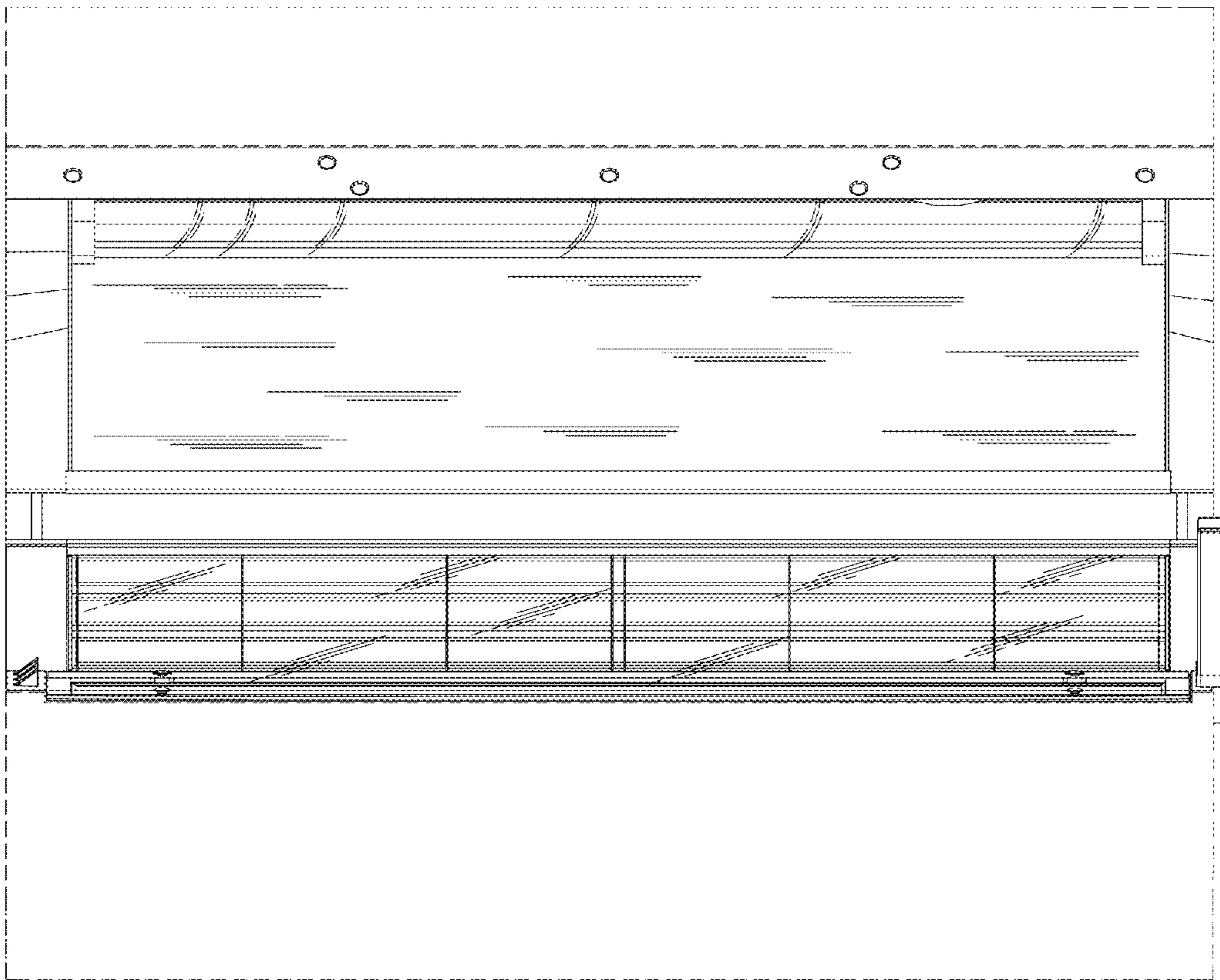


Figure 4

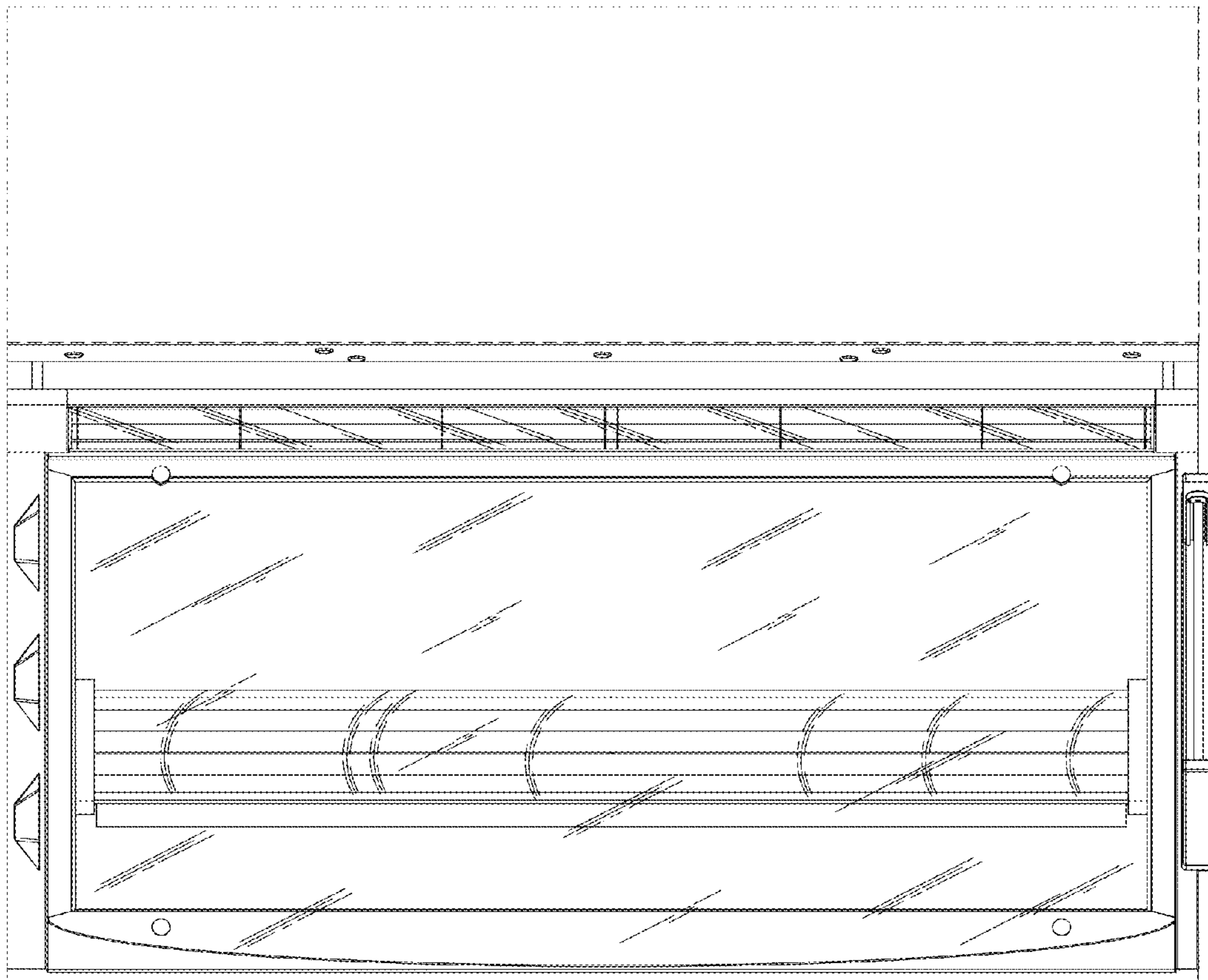


Figure 5

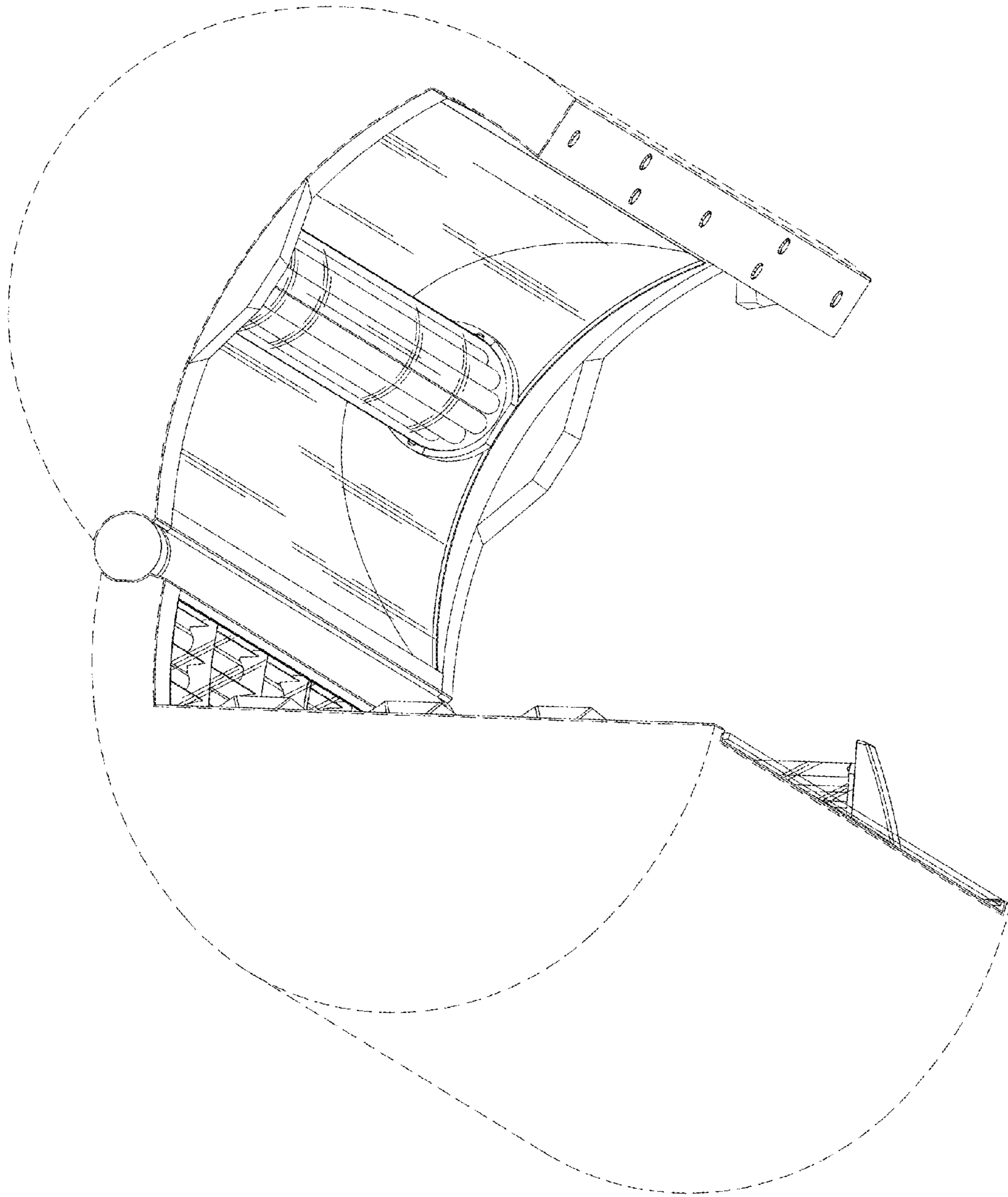


Figure 6

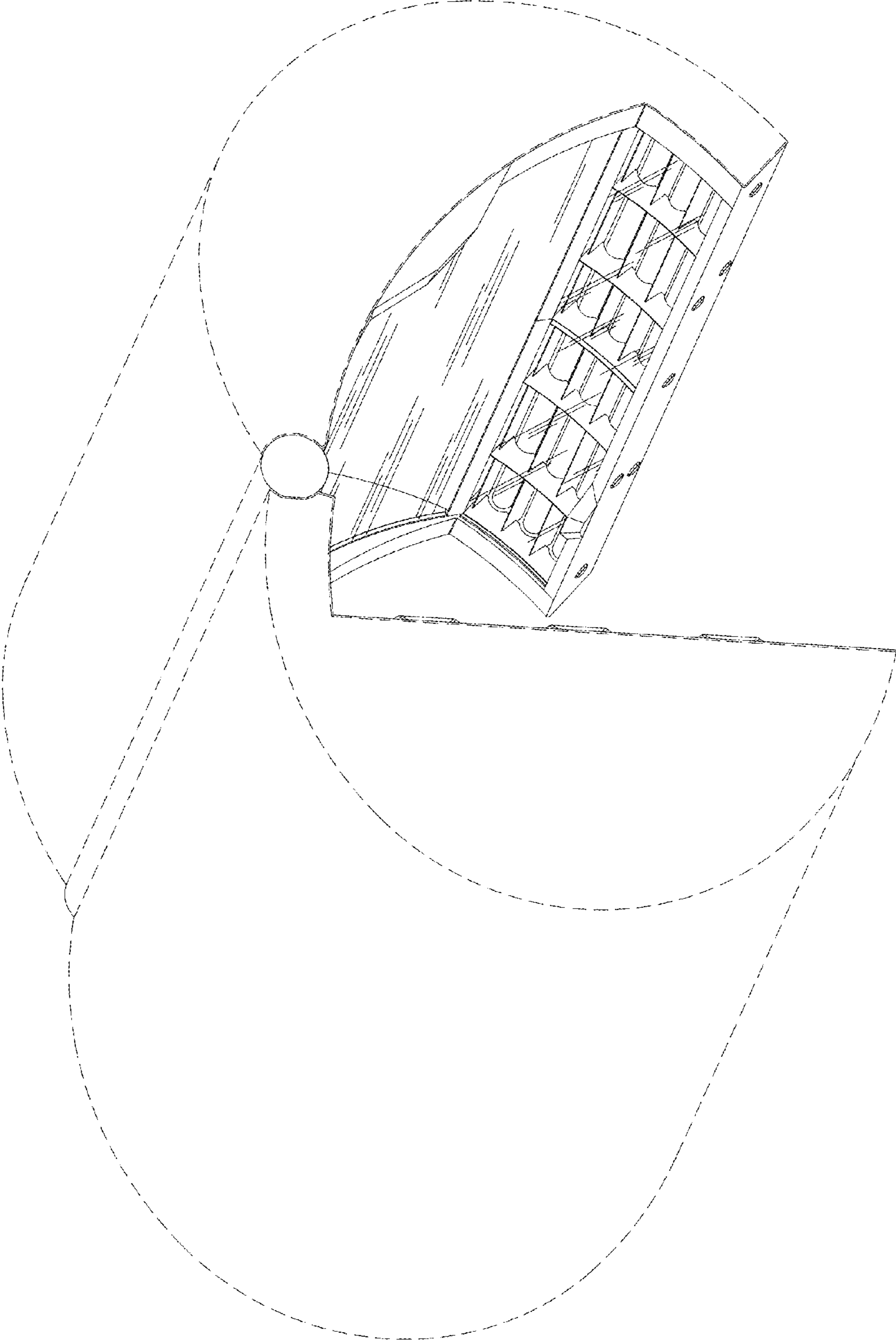


Figure 7

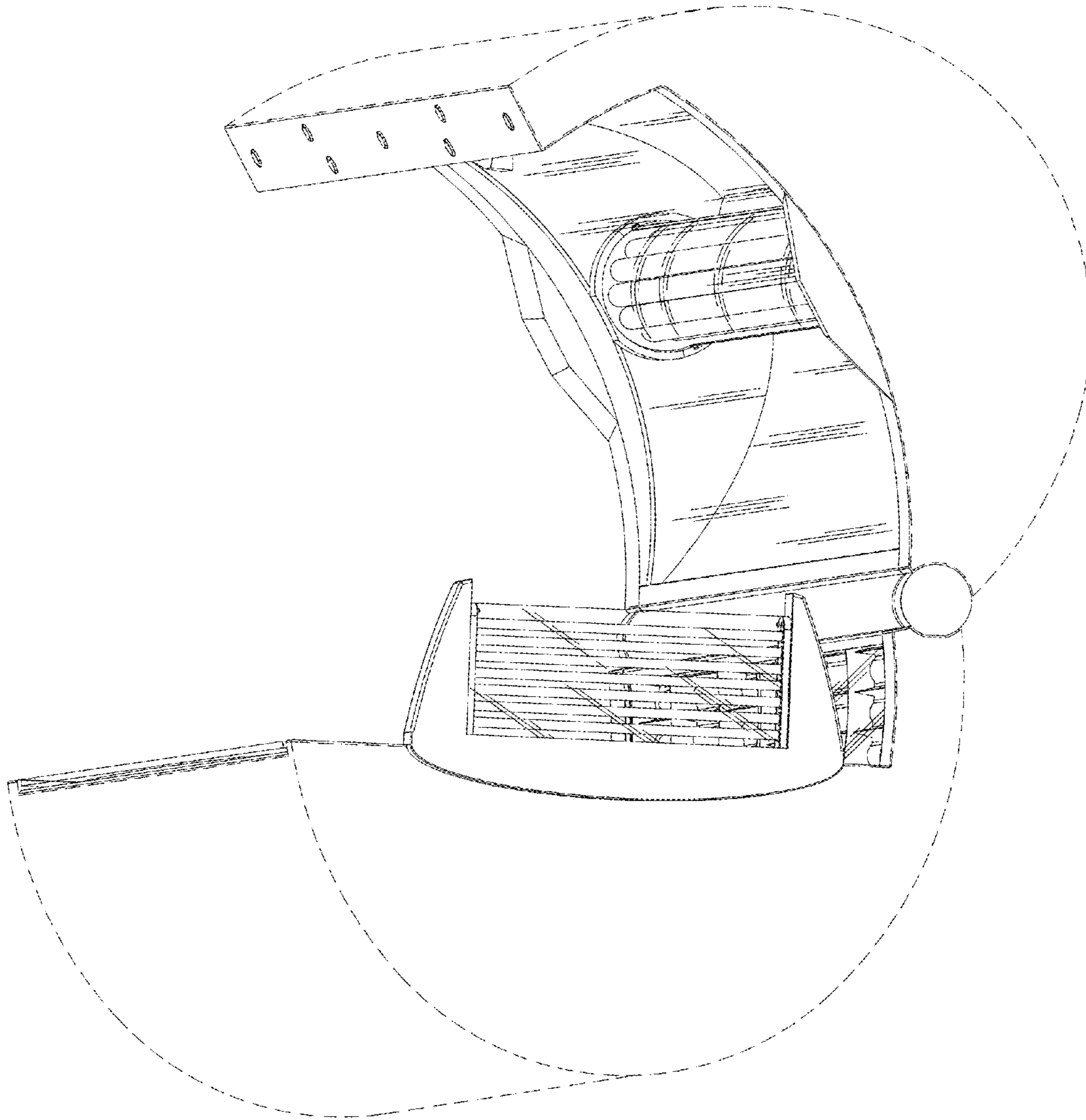


Figure 8

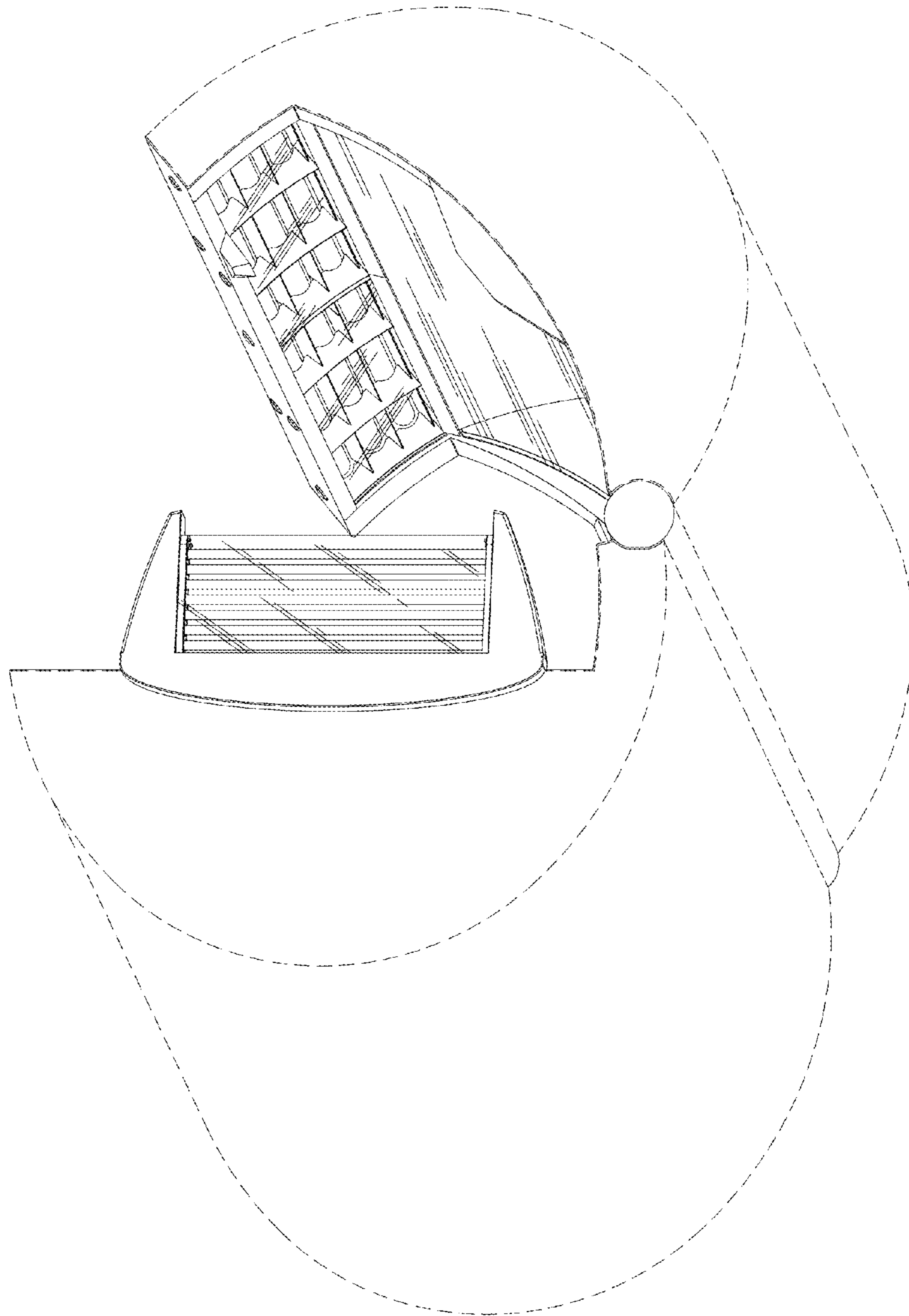


Figure 9

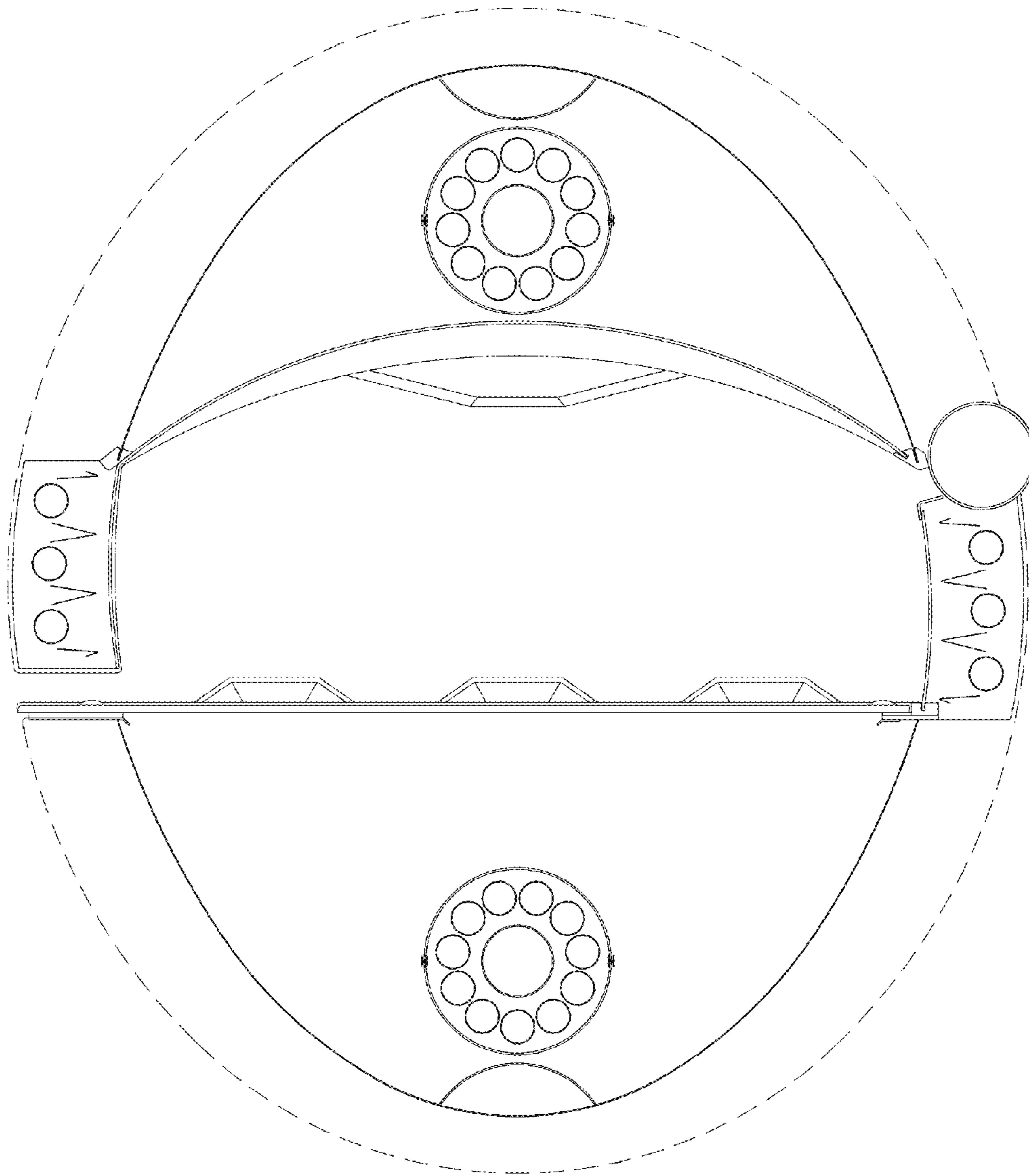


Figure 10

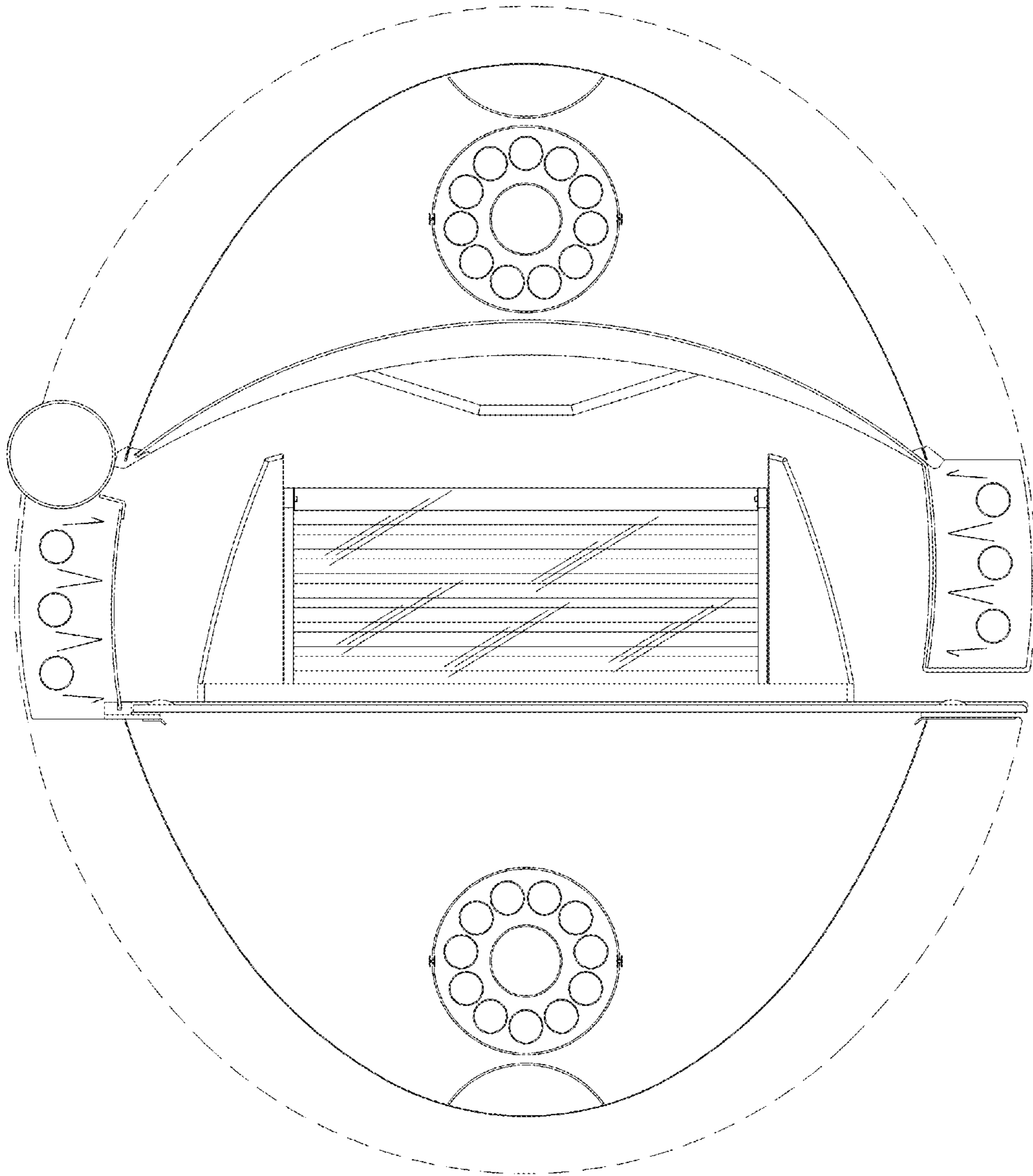


Figure 11

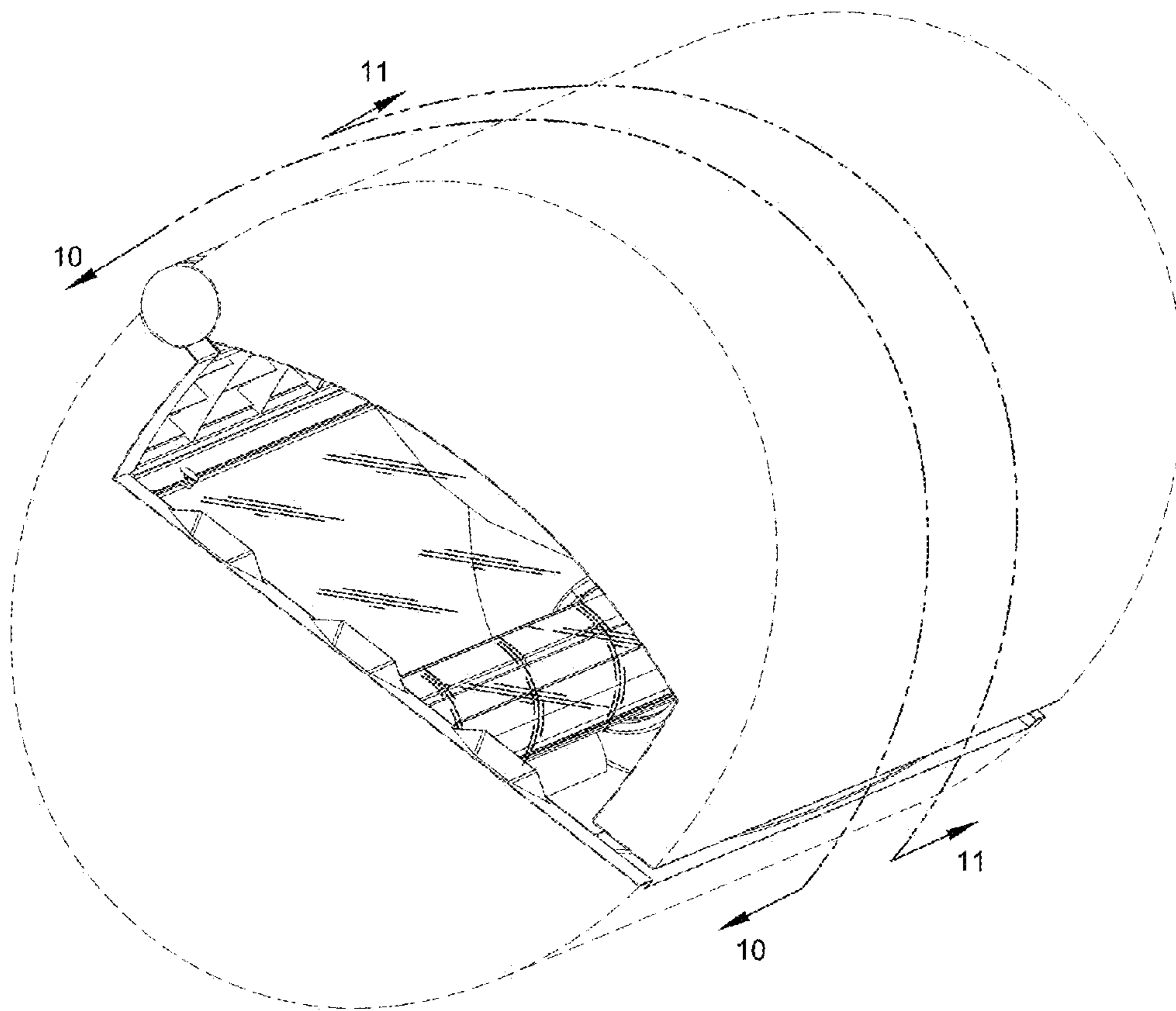


Figure 12