



US00D711541S

(12) **United States Design Patent**
Hafellner

(10) **Patent No.:** **US D711,541 S**

(45) **Date of Patent:** **** Aug. 19, 2014**

(54) **BODY FLUID TESTING DEVICE**

FOREIGN PATENT DOCUMENTS

(71) Applicant: **4a medicom GmbH**, Traboch (AT)

EM 002167197-0001 1/2013

(72) Inventor: **Reinhard Hafellner**, Spielberg (AT)

EM 002167197-0002 1/2013

(73) Assignee: **4a medicom GmbH** (AT)

EM 002167197-0004 1/2013

(**) Term: **14 Years**

Primary Examiner — Anhdao Doan

(21) Appl. No.: **29/460,788**

(74) *Attorney, Agent, or Firm* — E. Victor Indiano; Indiano Law Group

(22) Filed: **Jul. 15, 2013**

(57) **CLAIM**

The ornamental design for a body fluid testing device, as shown and described.

(30) **Foreign Application Priority Data**

DESCRIPTION

Jan. 15, 2013 (EM) 002167197-0001

FIG. 1 is a perspective view of a body fluid testing device with the top closed showing my new device.

Jan. 15, 2013 (EM) 002167197-0002

FIG. 2 is a rear view thereof.

Jan. 15, 2013 (EM) 002167197-0004

FIG. 3 is a right side view thereof.

(51) **LOC (10) Cl.** **24-01**

FIG. 4 is a left side view thereof.

(52) **U.S. Cl.**

FIG. 5 is a bottom view thereof.

USPC **D24/169**

FIG. 6 is a top view thereof.

(58) **Field of Classification Search**

FIG. 7 is a front view thereof.

USPC D24/216, 223, 231, 232, 107, 169, 186,
D24/146; D10/81; 422/68.1, 420, 500;
435/287.1, 287.3; 436/43, 45, 47;
600/309, 365, 368, 583, 584; 606/181

FIG. 8 is a perspective rear view thereof with the top removed for clarity of the illustration.

See application file for complete search history.

FIG. 9 is a perspective view thereof with the top open.

(56) **References Cited**

U.S. PATENT DOCUMENTS

D292,229 S * 10/1987 Knudson et al. D24/223
D309,012 S * 7/1990 Vcelka D24/223
D376,203 S * 12/1996 Schraga D24/146
D407,825 S * 4/1999 Childs et al. D24/223
6,696,240 B1 2/2004 Kloepfer et al.
6,840,912 B2 1/2005 Kloepfer et al.
7,846,110 B2 * 12/2010 Kloepfer et al. 600/584
8,052,619 B2 * 11/2011 Fujiwara et al. 600/584

FIG. 10 is a rear view thereof.

FIG. 11 is a right side view thereof.

FIG. 12 is a left side view thereof.

FIG. 13 is a bottom view thereof.

FIG. 14 is a top view thereof.

FIG. 15 is a front view thereof.

FIG. 16 is a perspective view thereof with the top open.

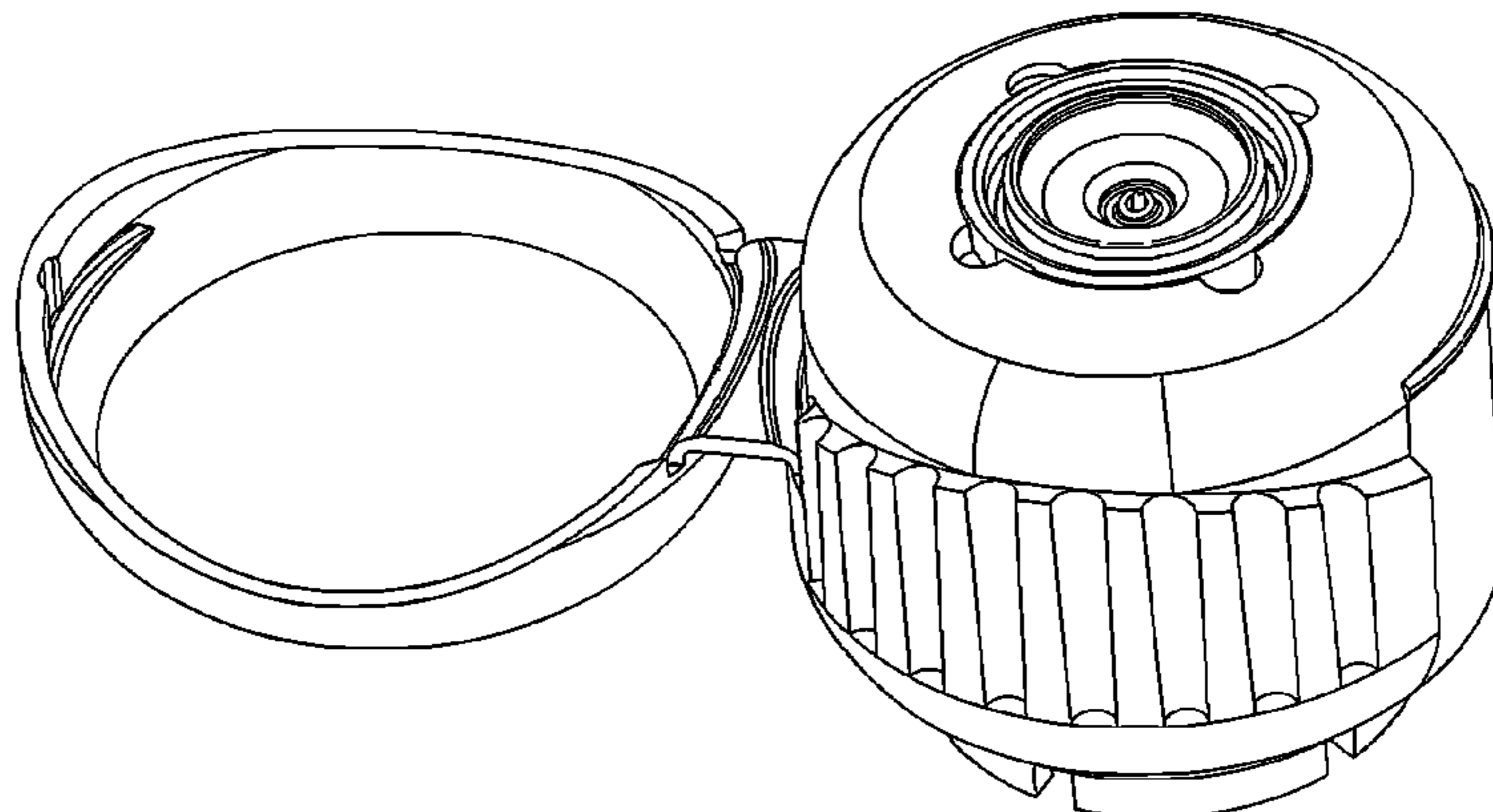
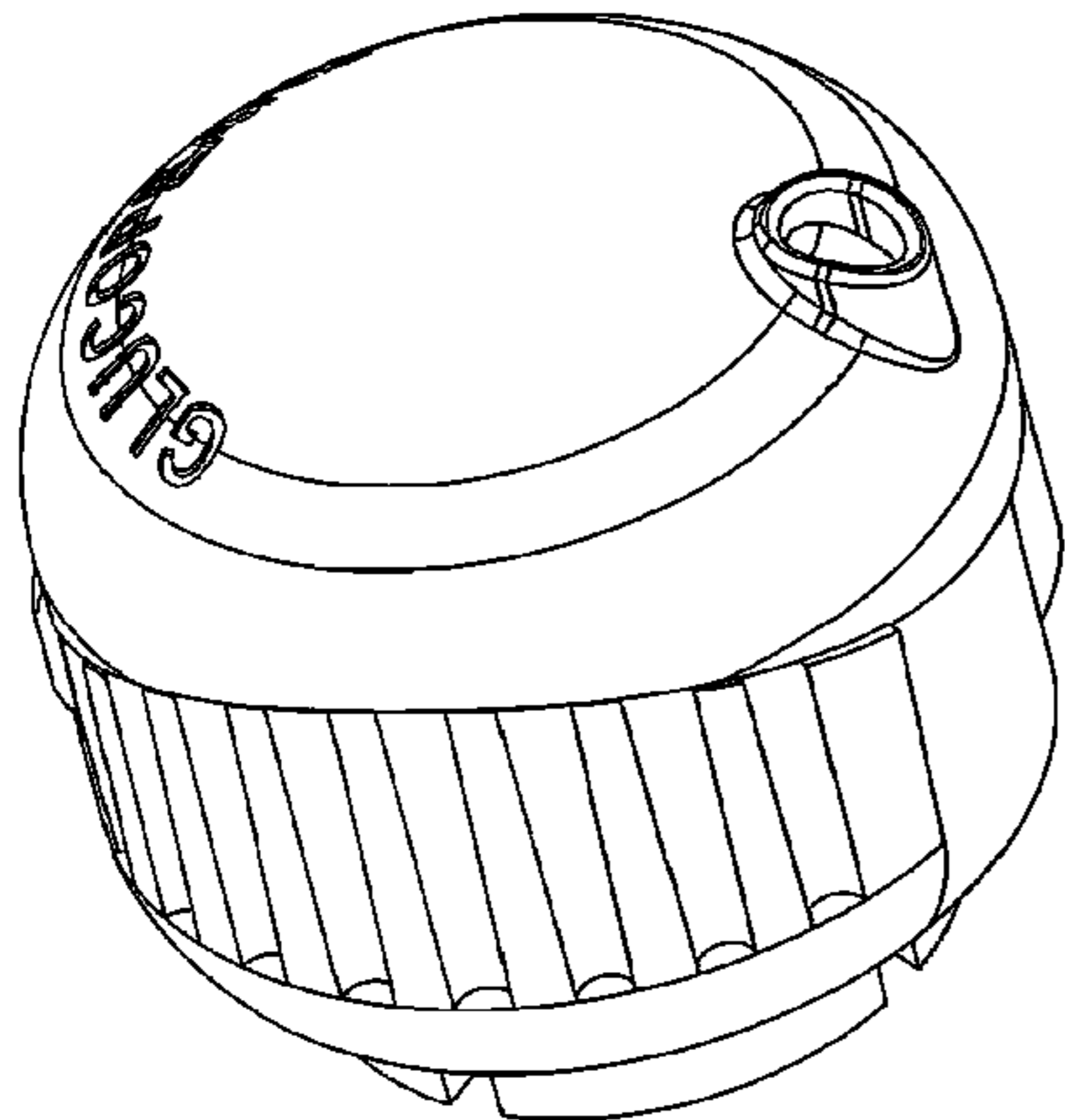
FIG. 17 is a perspective view thereof showing the upper side of the shell and the top open; and,

FIG. 18 is a perspective view thereof showing the bottom side of the shell and the top open.

The Shell member is separately shown in FIGS. 17 and 18 to show aspects of the design that may not be apparent in an assembled state.

(Continued)

1 Claim, 18 Drawing Sheets



(56)

References Cited

U.S. PATENT DOCUMENTS

8,333,715	B1 *	12/2012	Alferness	600/584	2006/0222567	A1	10/2006	Kloepfer et al.	
D694,889	S *	12/2013	Karlsson et al.	D24/169	2007/0189928	A1 *	8/2007	Sabol	422/68.1
2003/0109777	A1	6/2003	Kloepfer et al.		2008/0033319	A1 *	2/2008	Kloepfer et al.	600/583
					2010/0234768	A1 *	9/2010	Uchiyama et al.	600/583
					2012/0302919	A1 *	11/2012	Robbins et al.	600/583

* cited by examiner

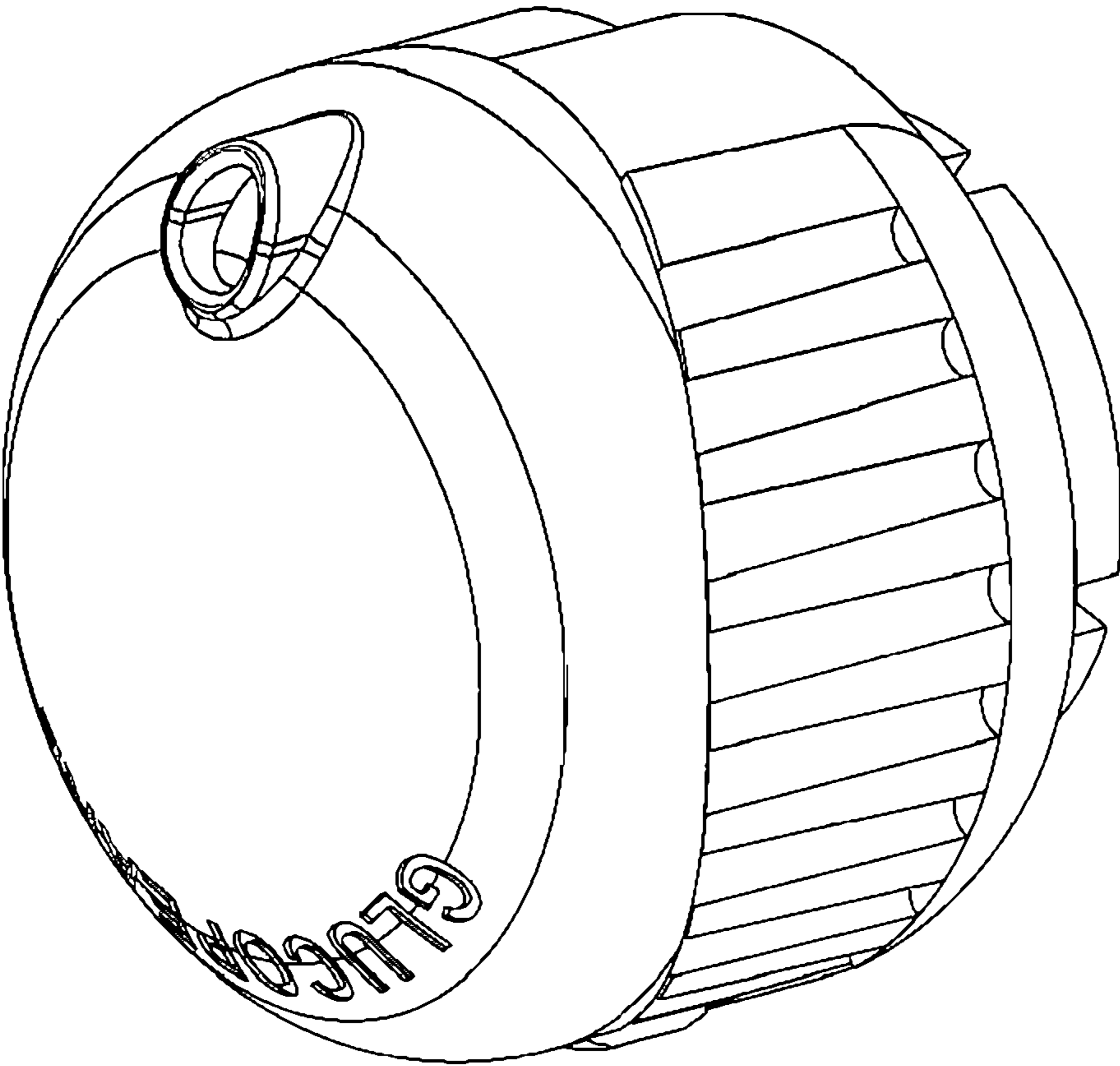


FIG. 1

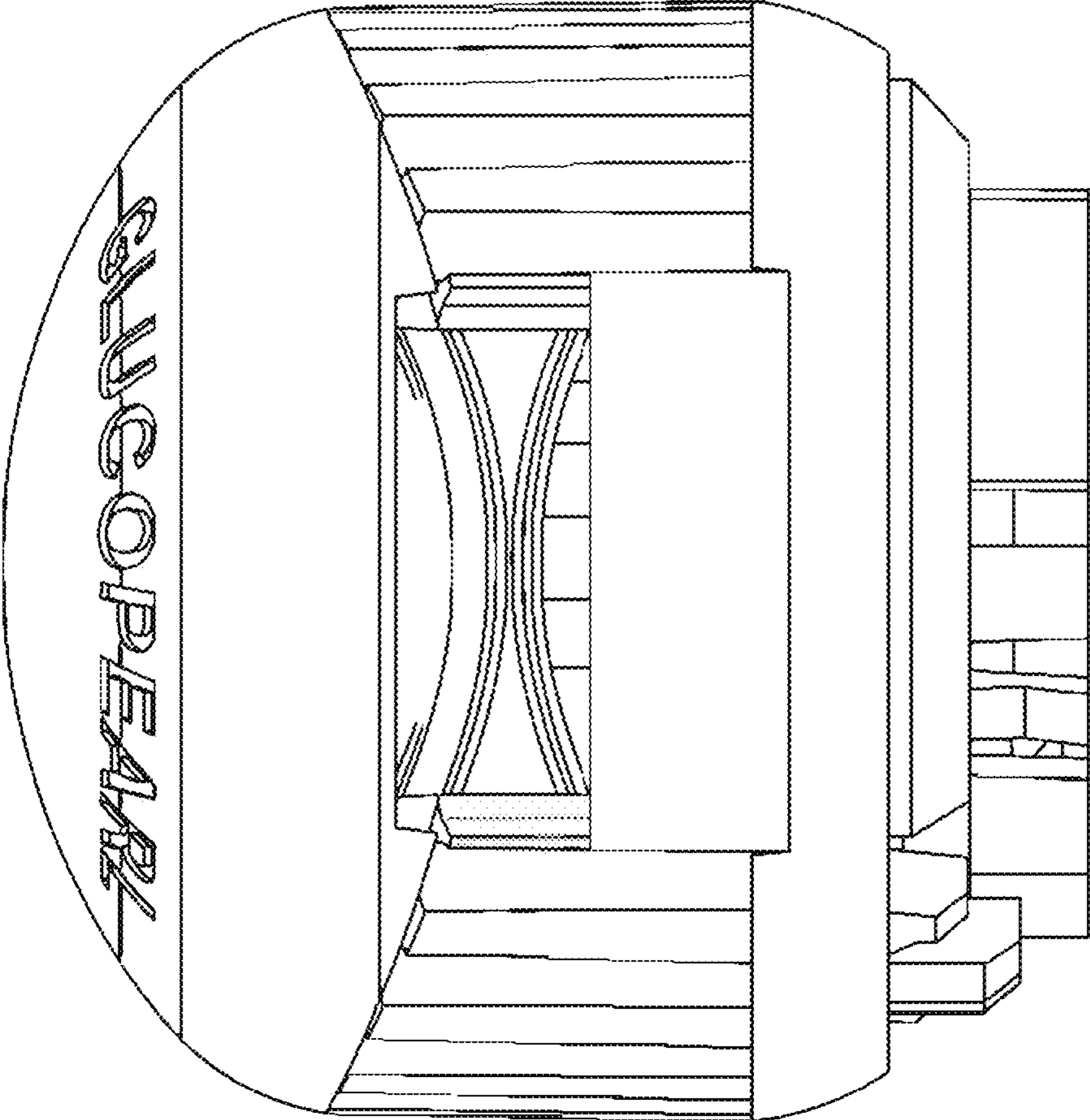


FIG. 2

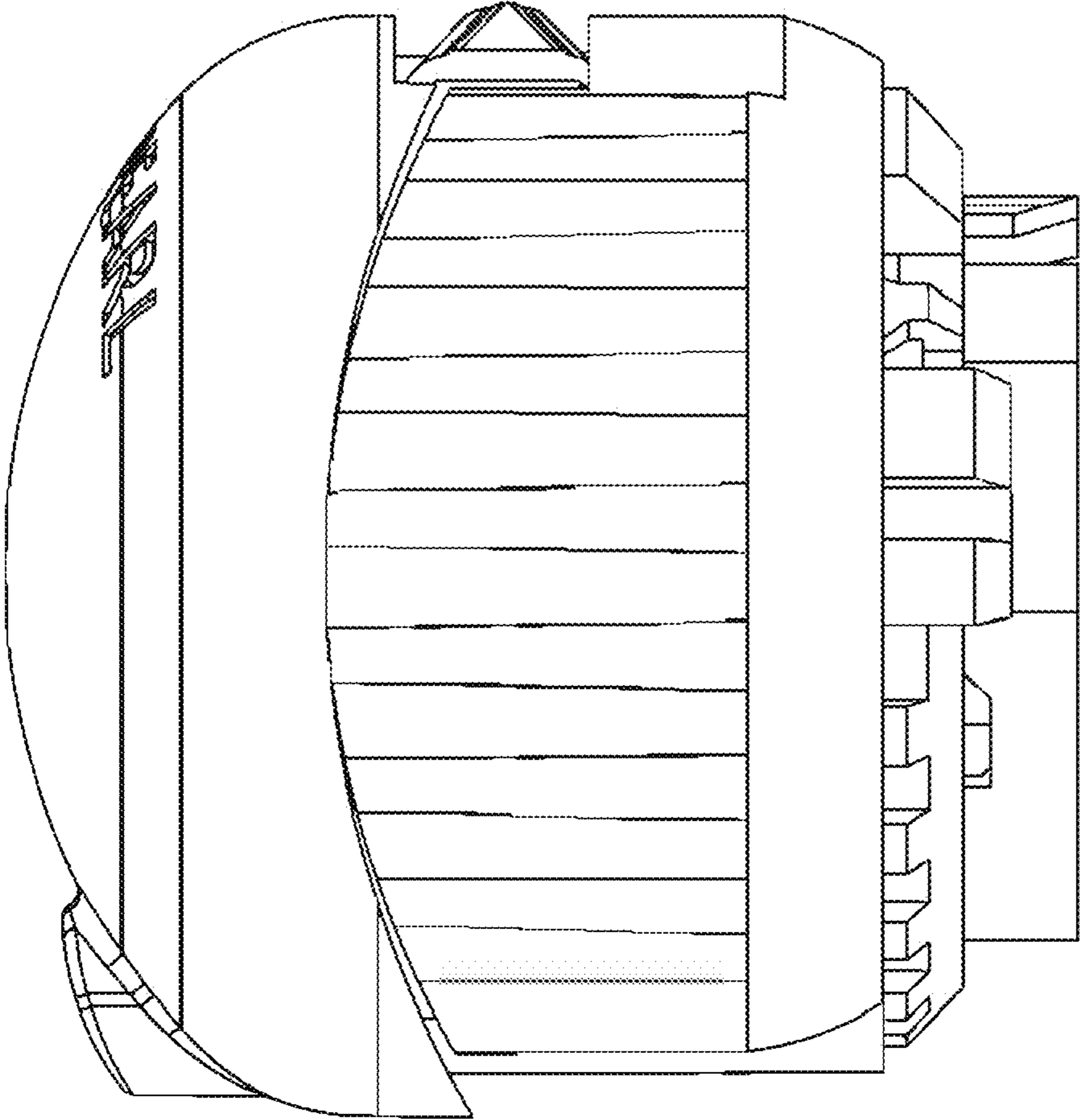


FIG. 3

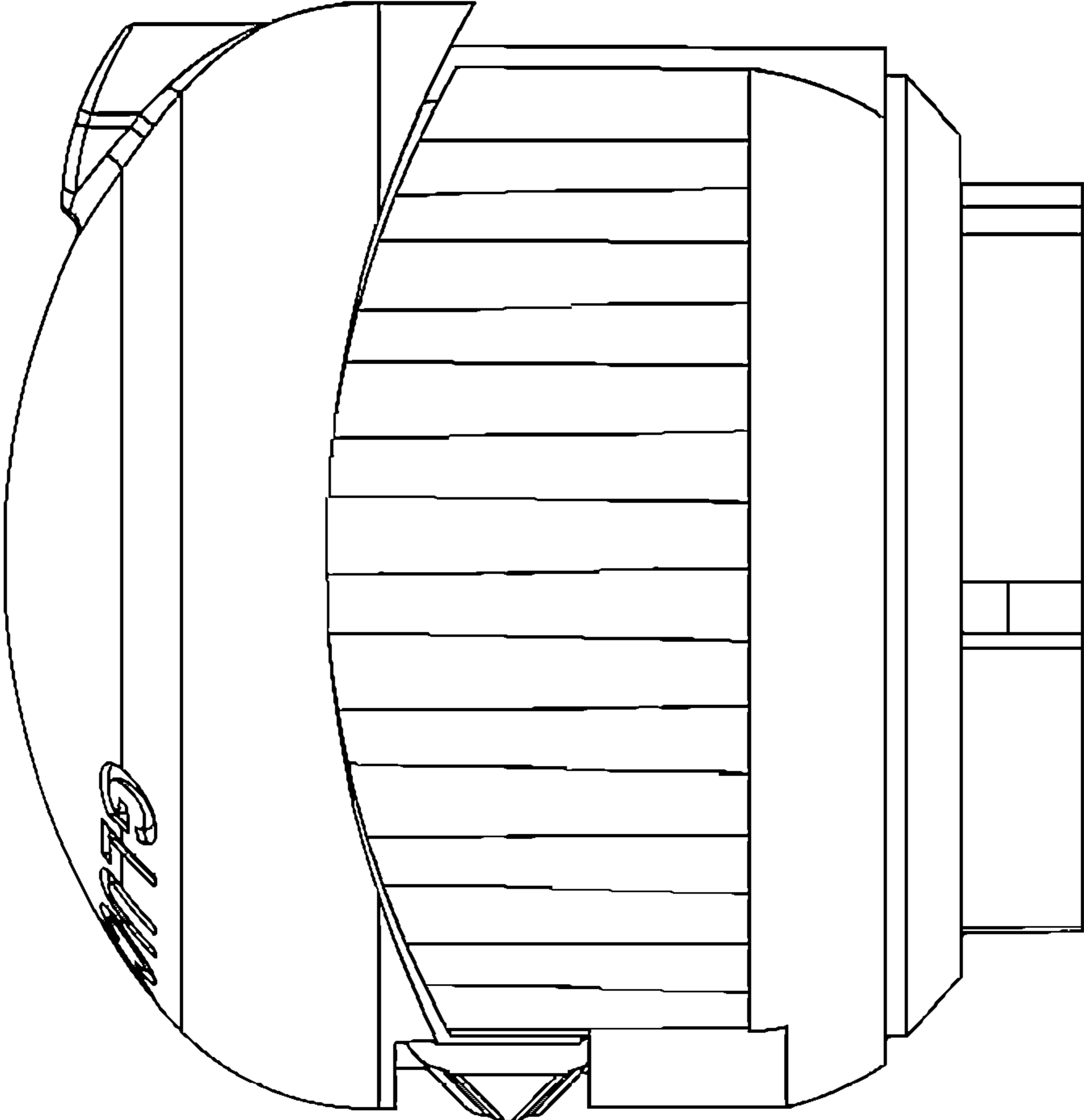


FIG. 4

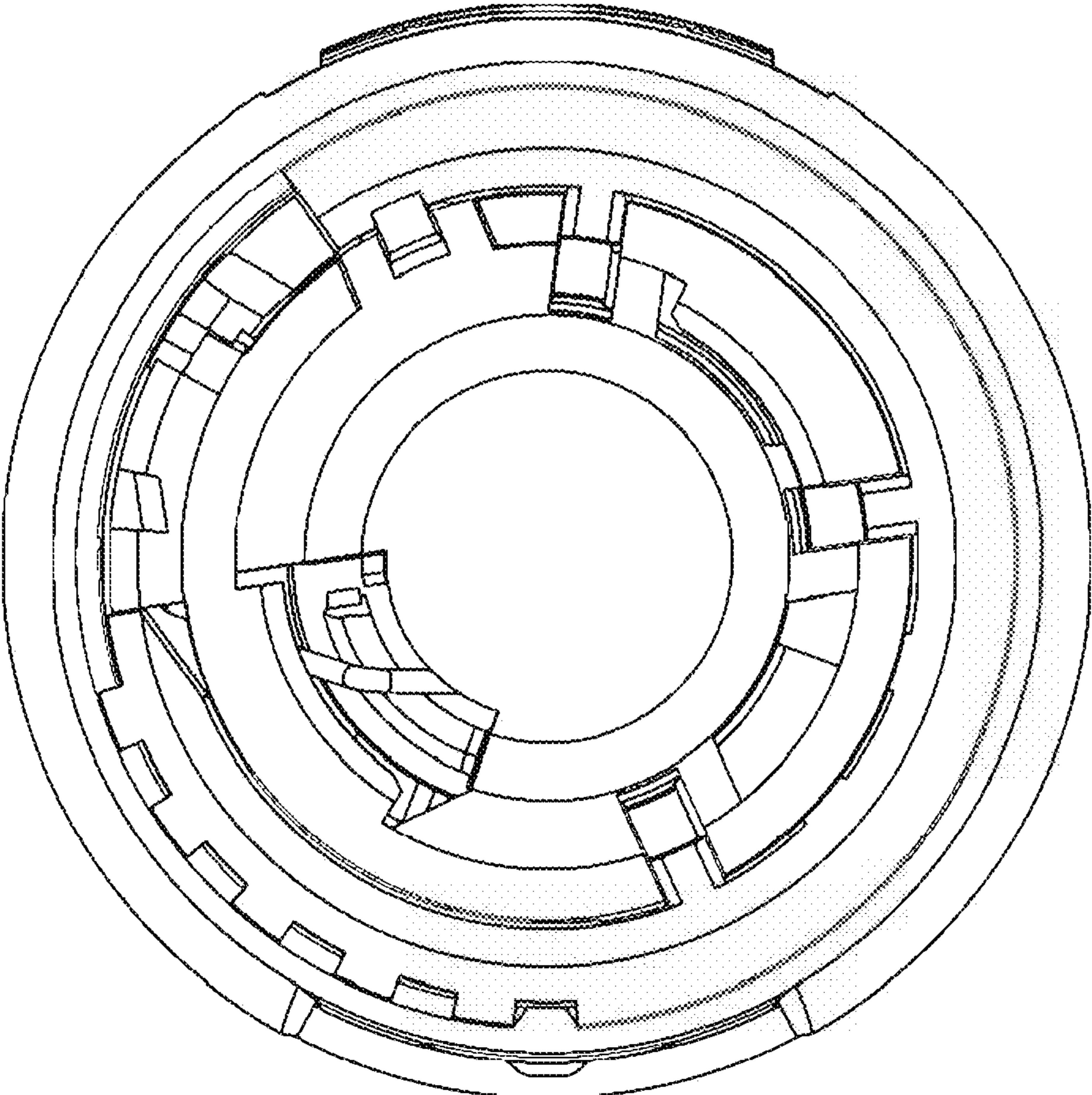


FIG. 5

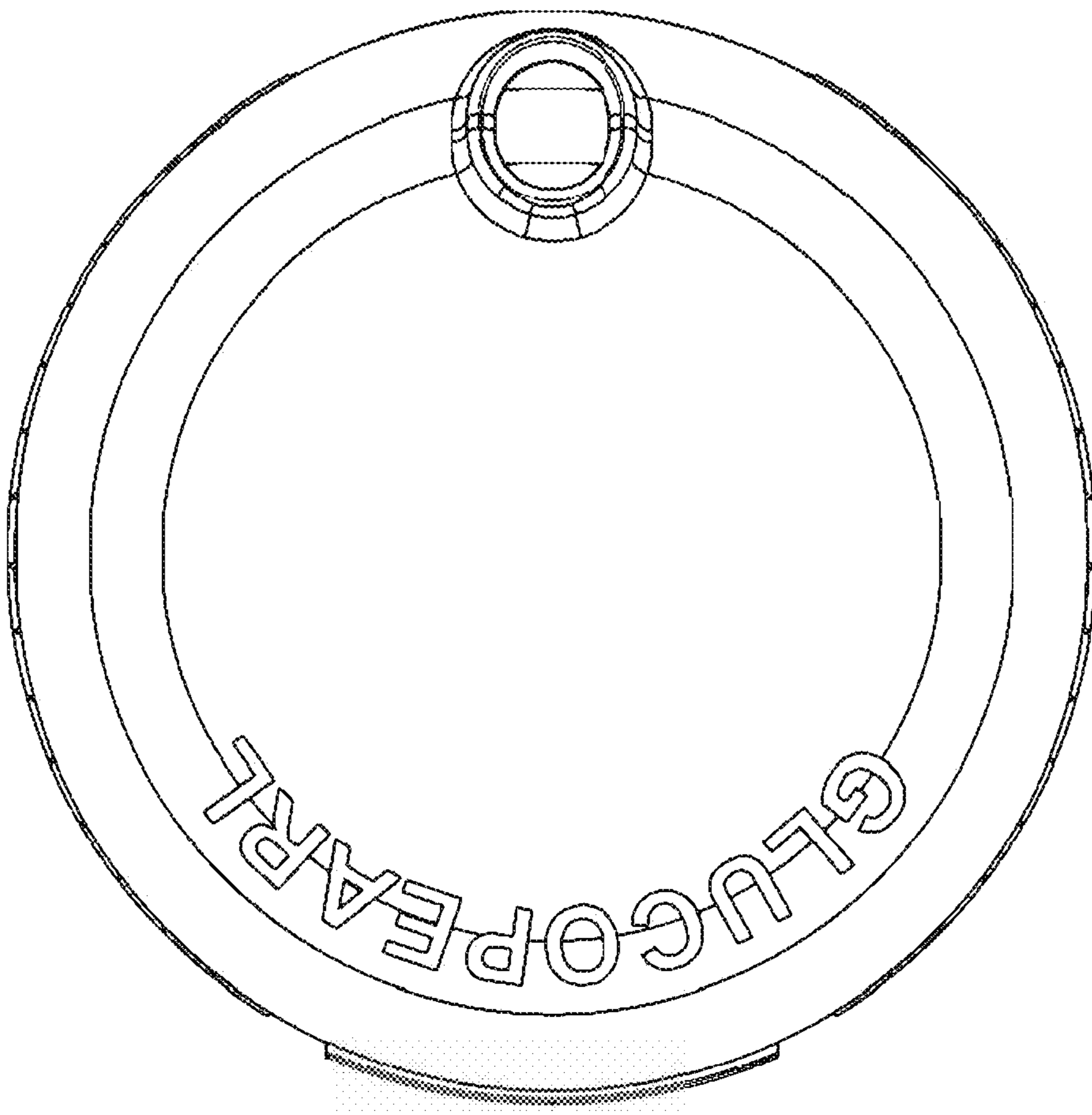


FIG. 6

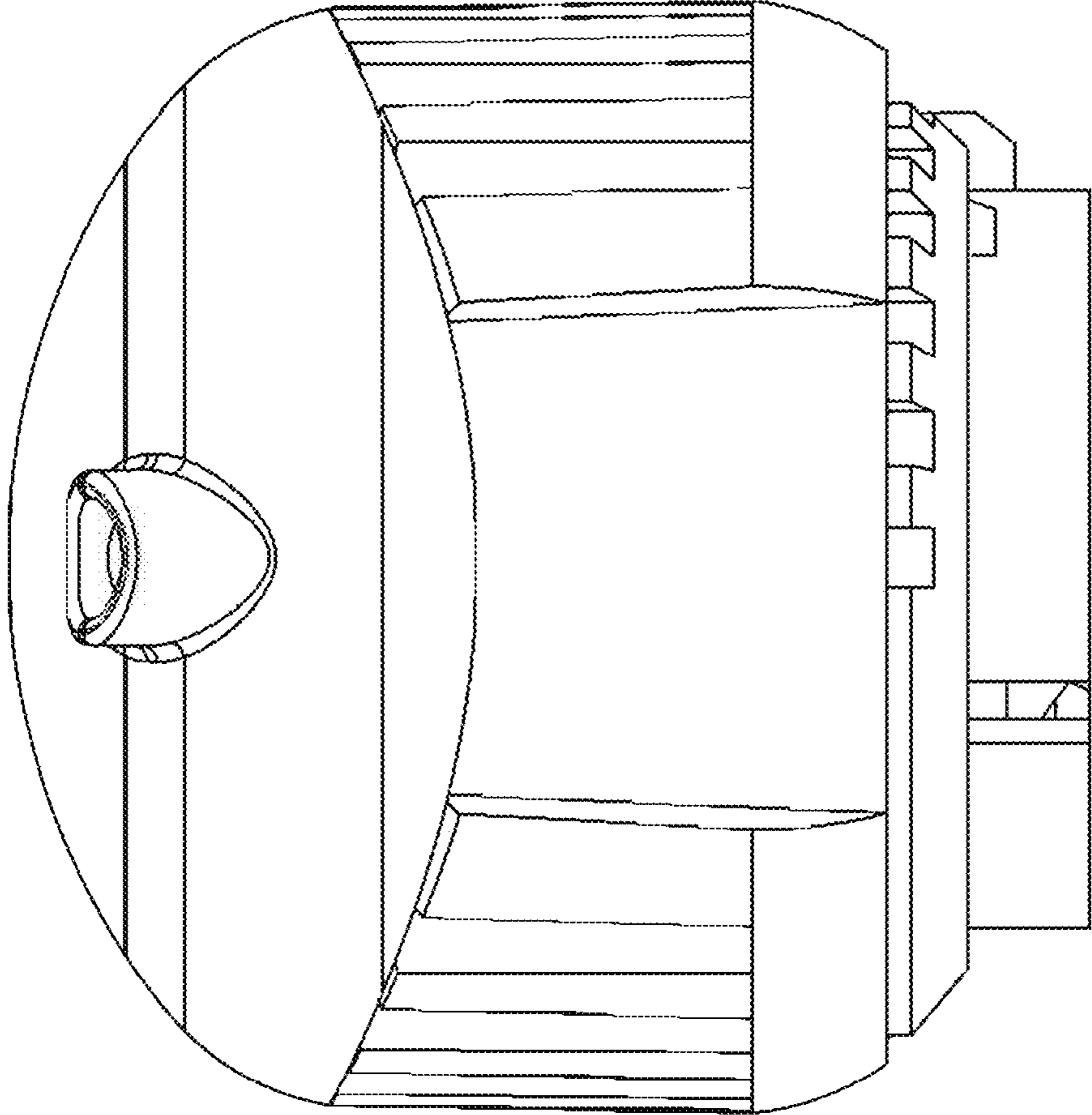


FIG. 7

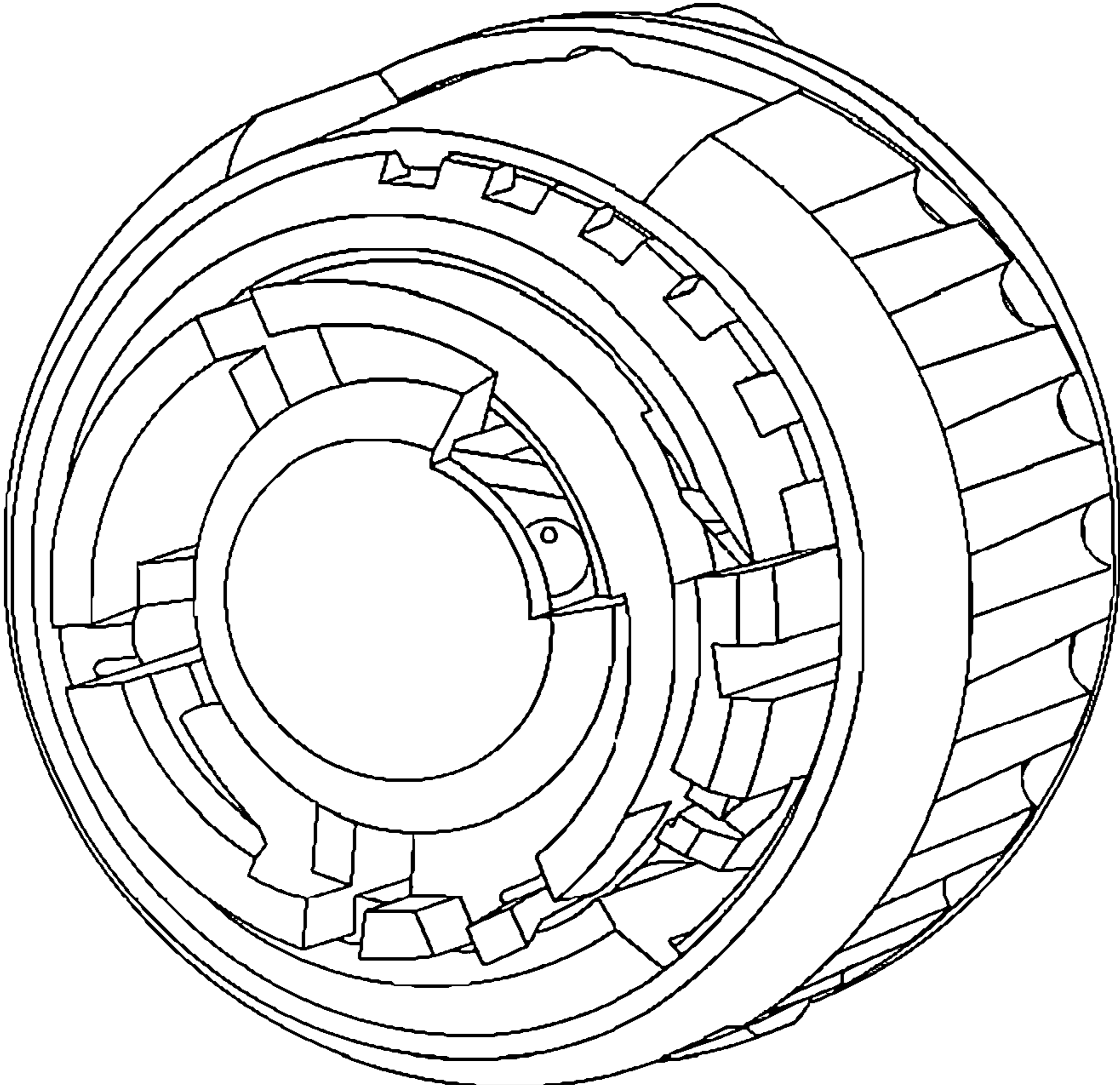


FIG. 8

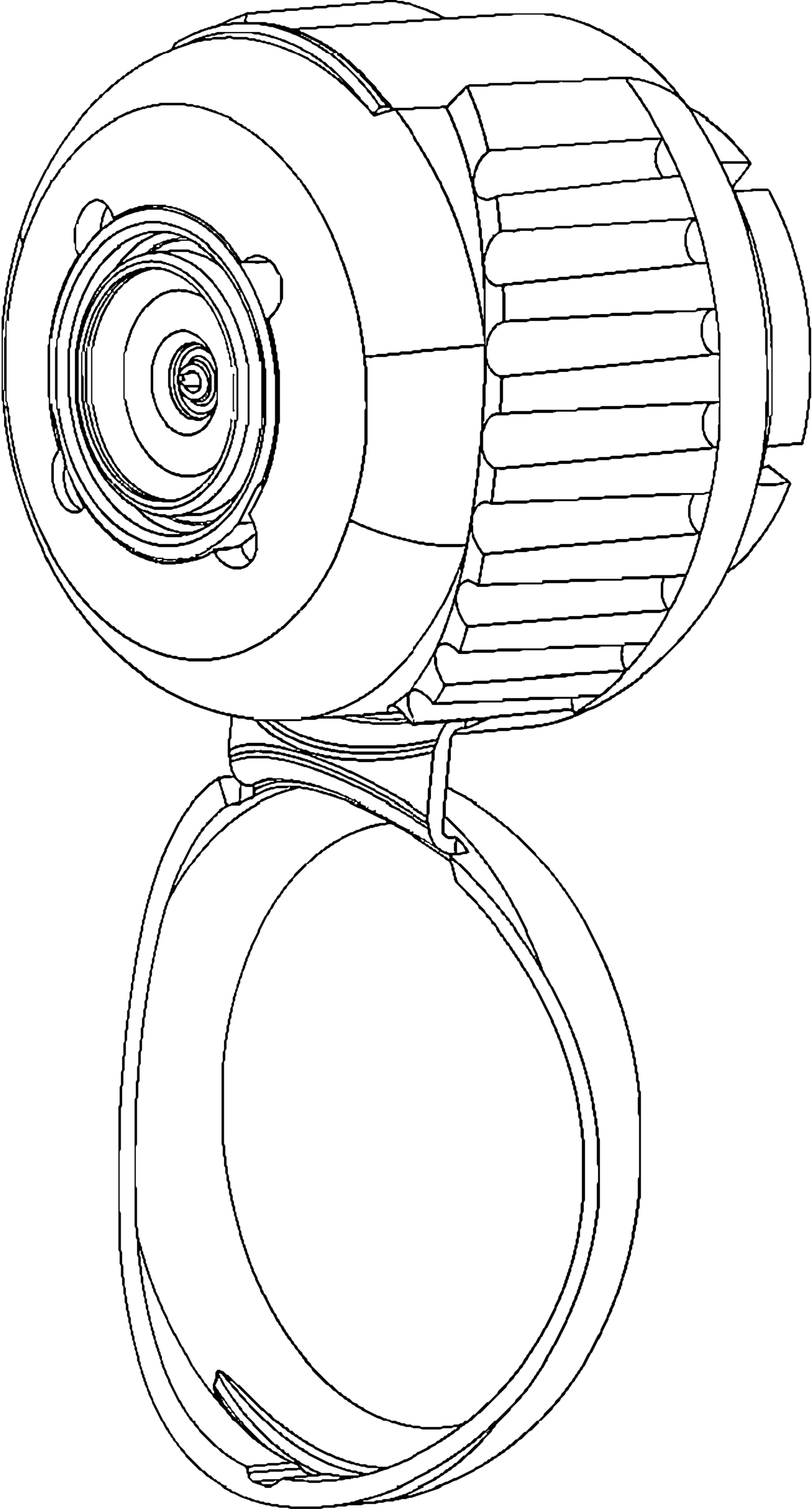


FIG. 9

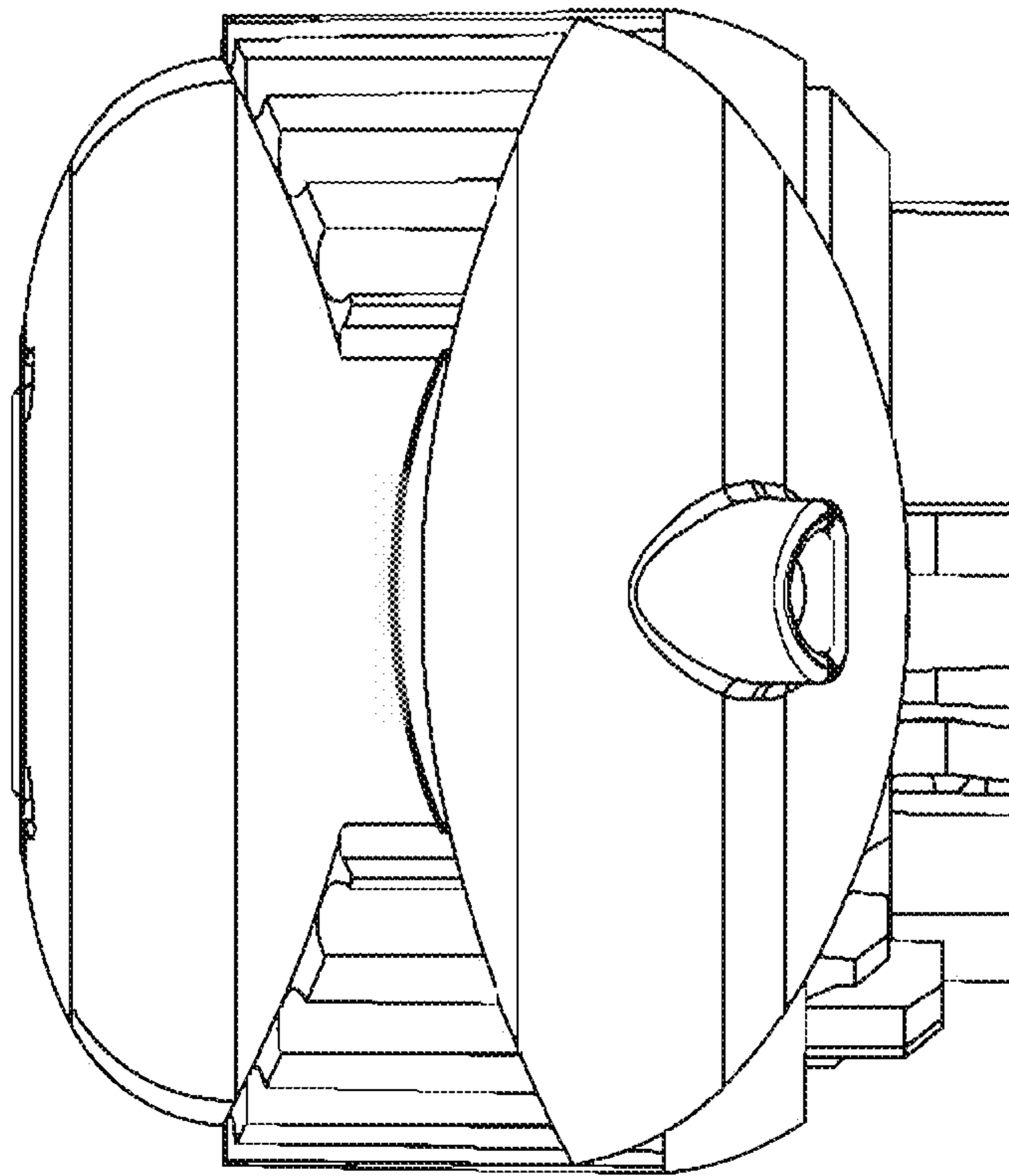


FIG. 10

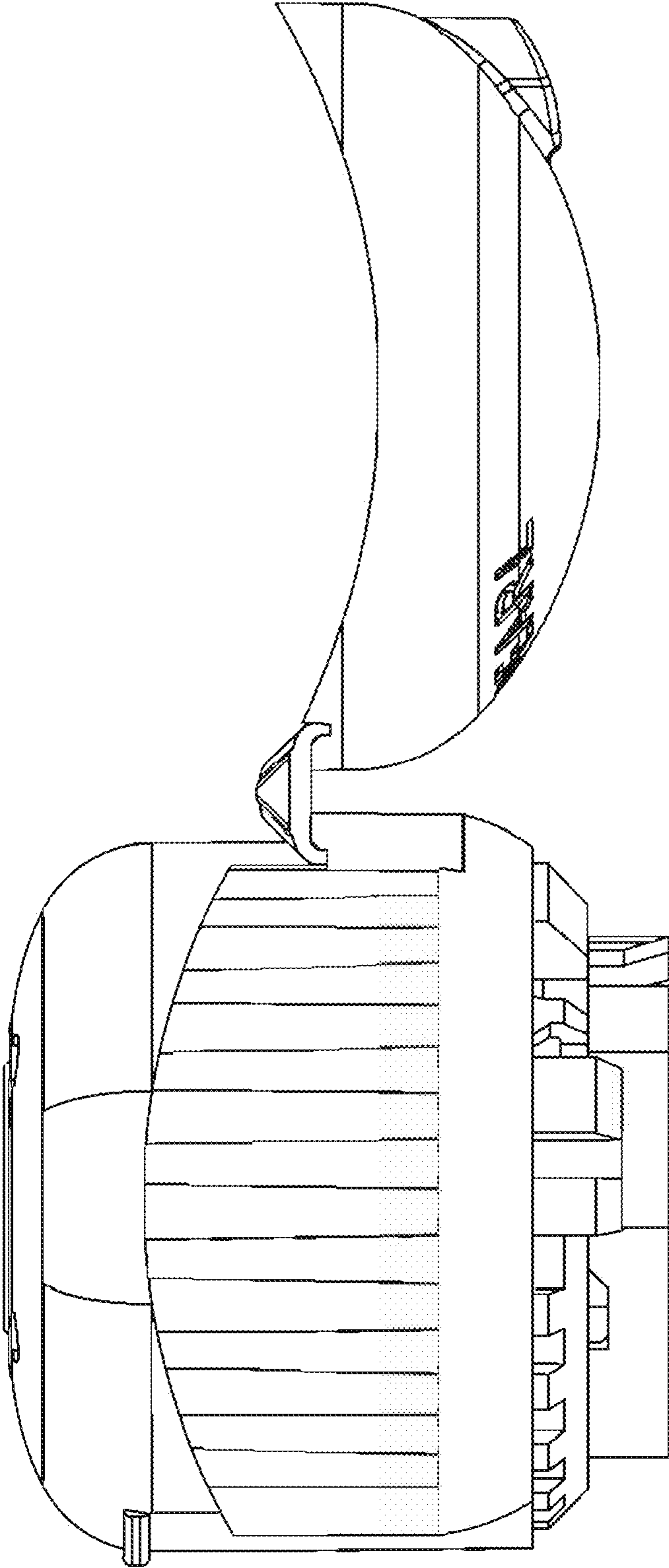


FIG. 11

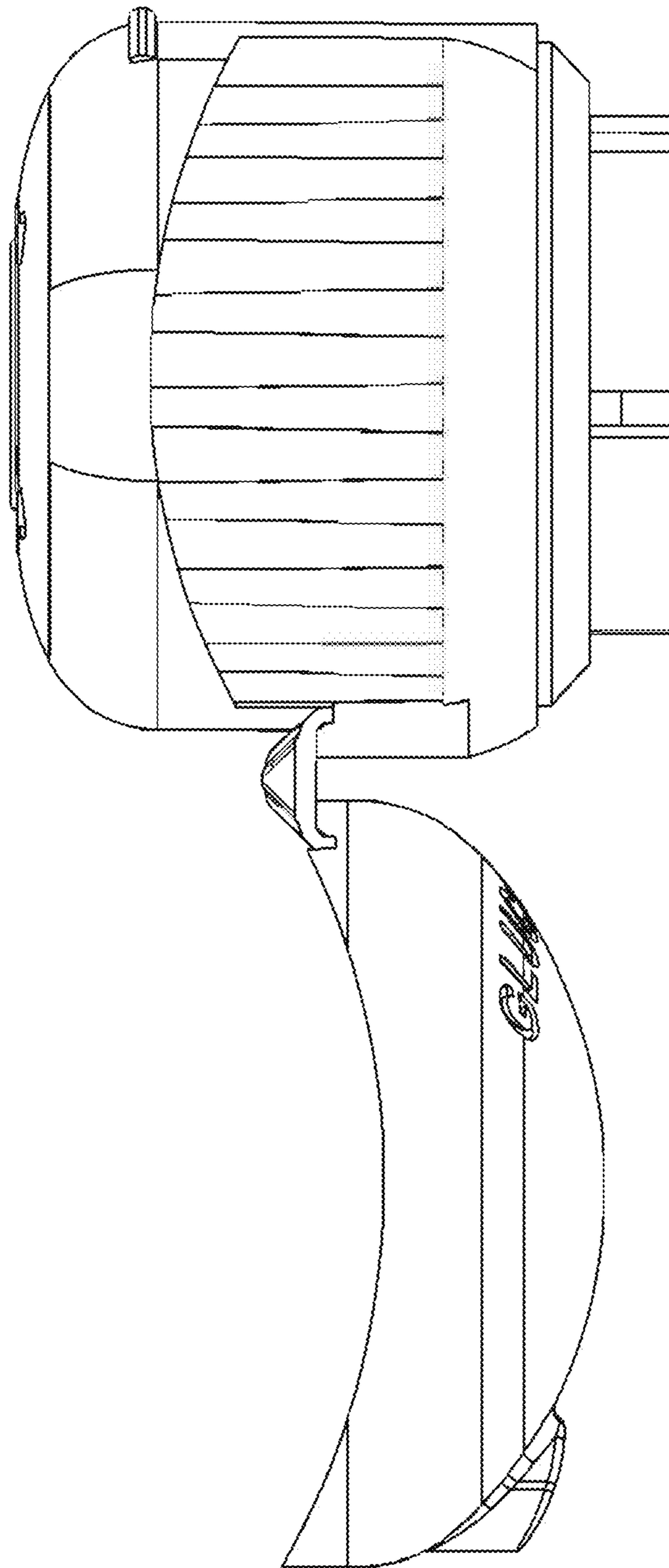


FIG. 12

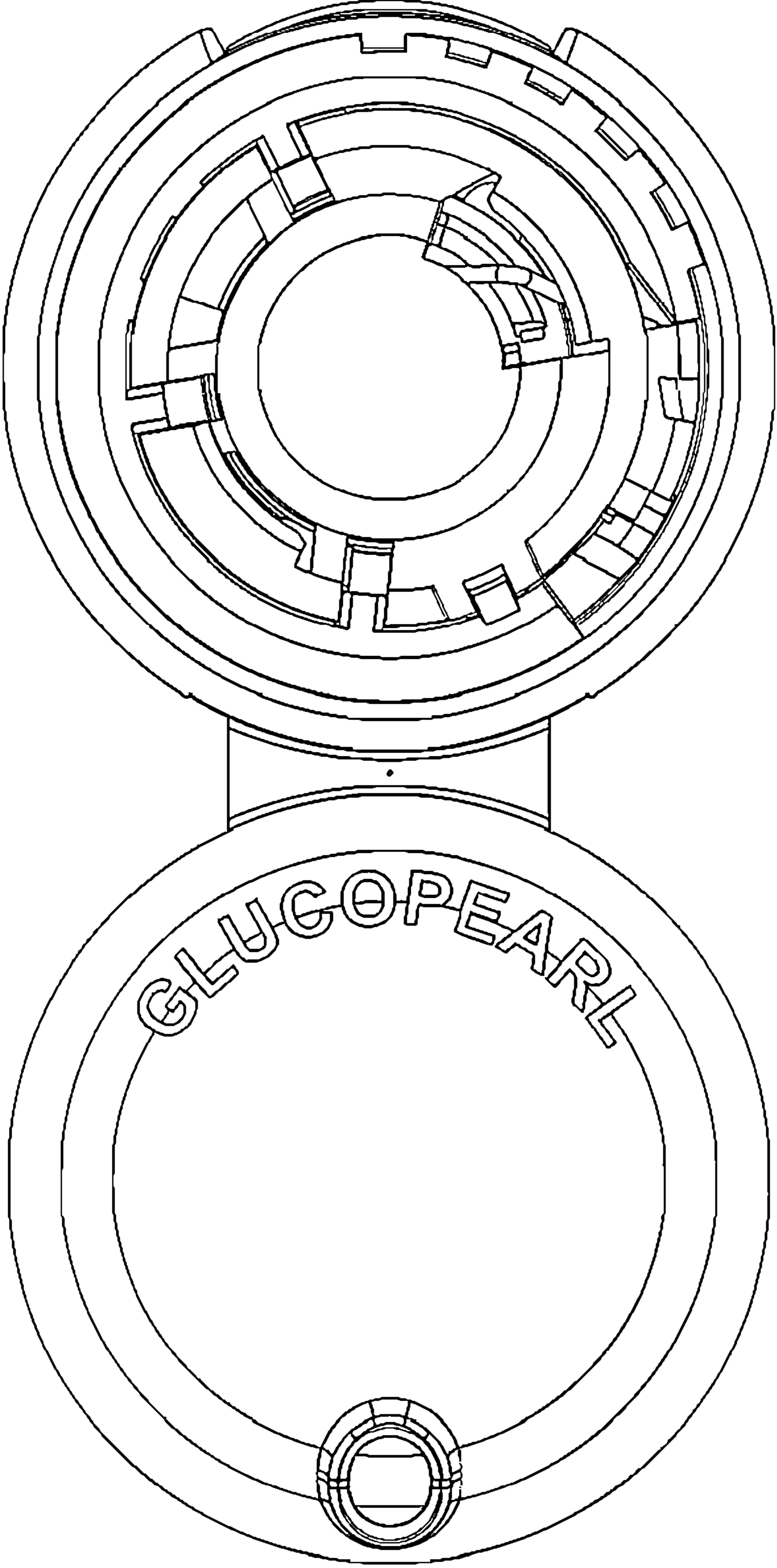


FIG. 13

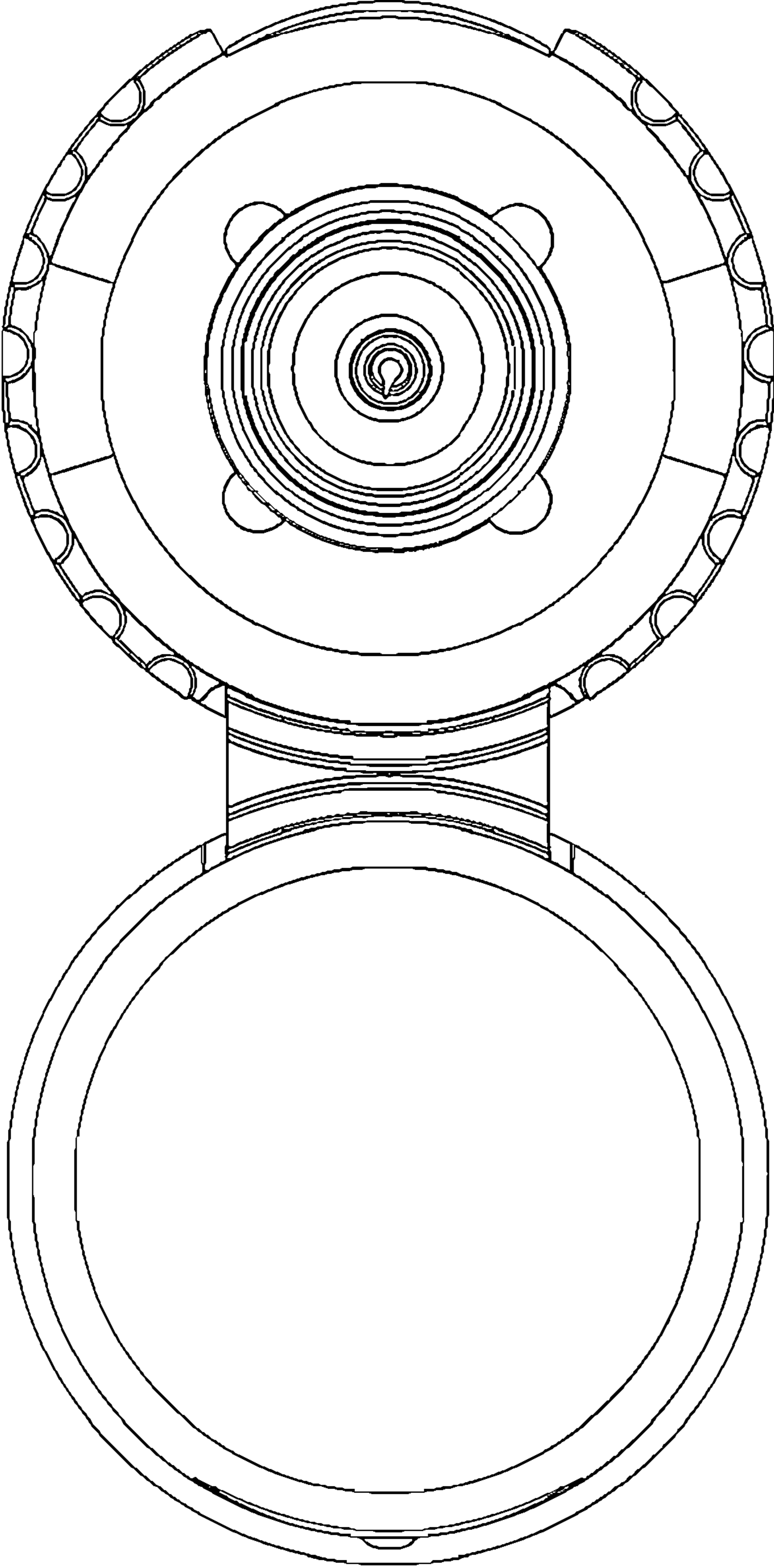


FIG. 14

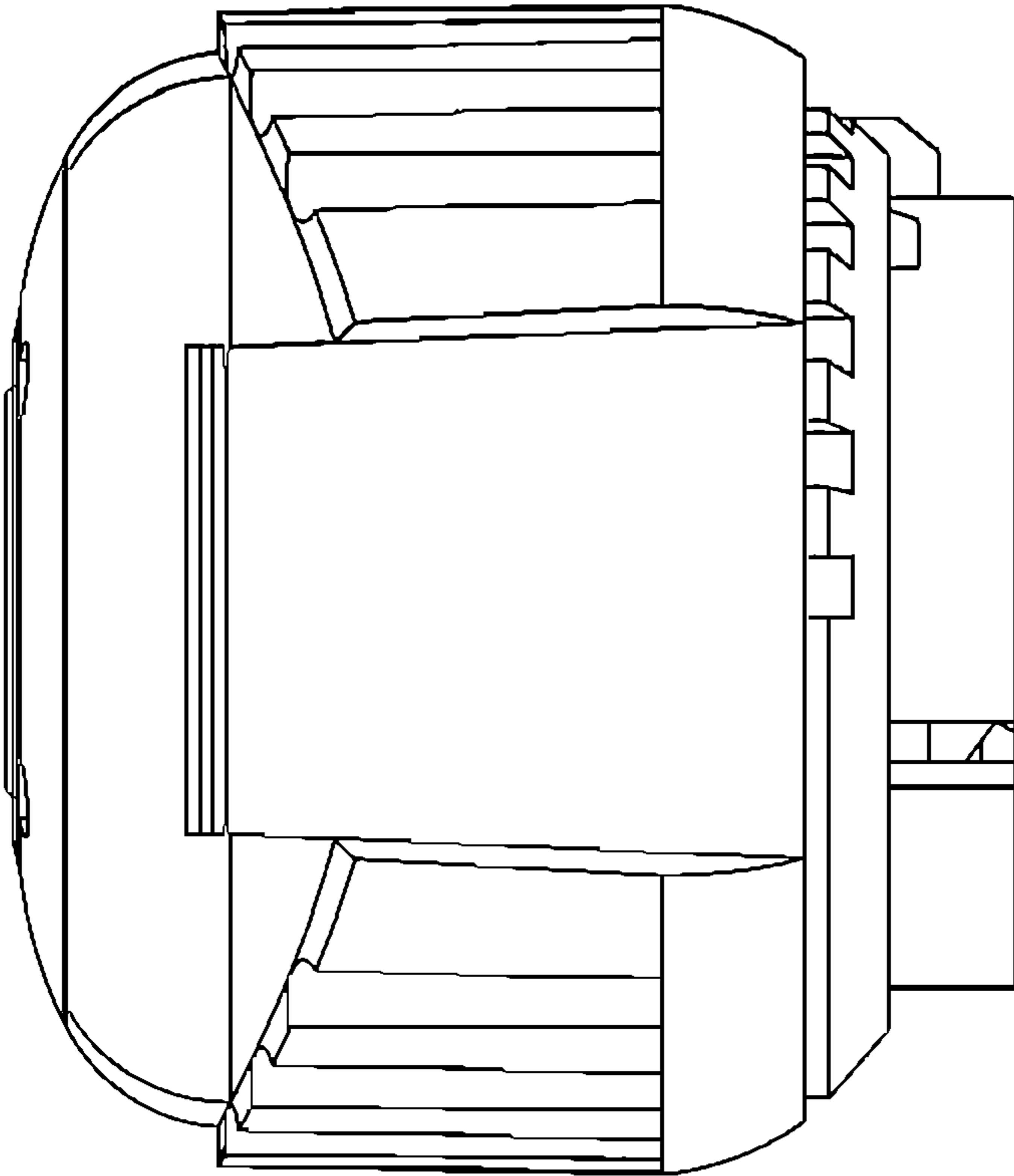


FIG. 15

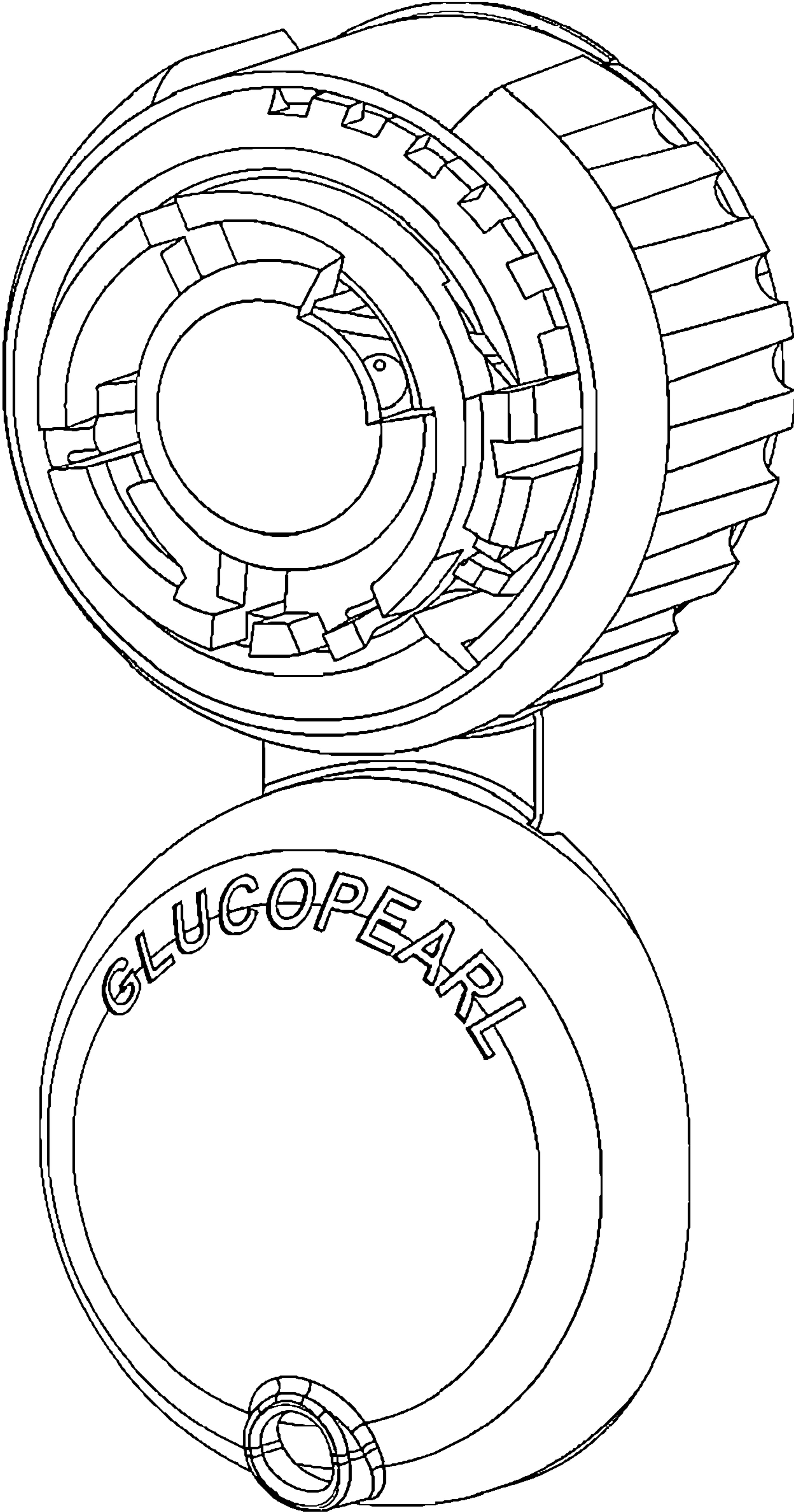


FIG. 16

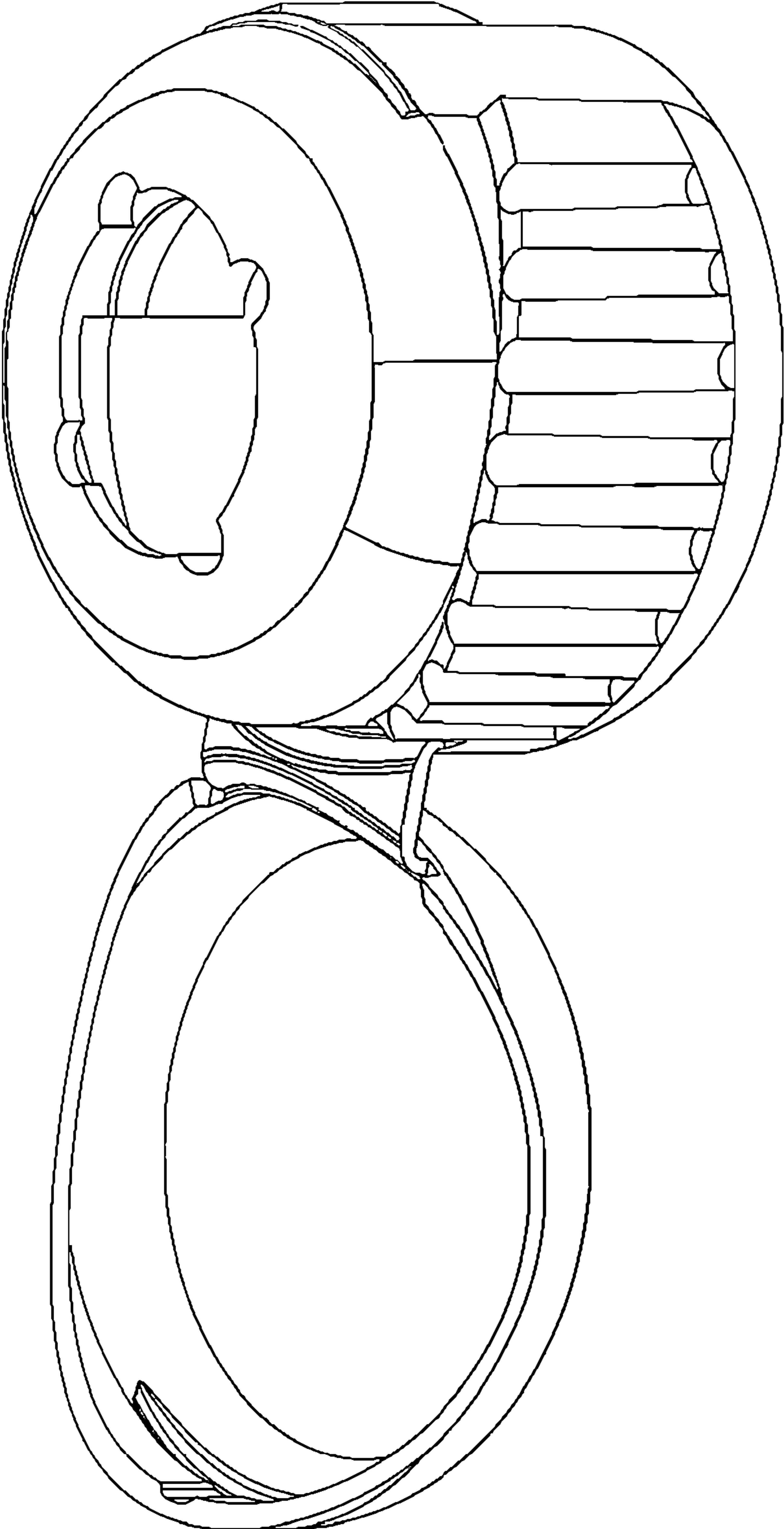


FIG. 17

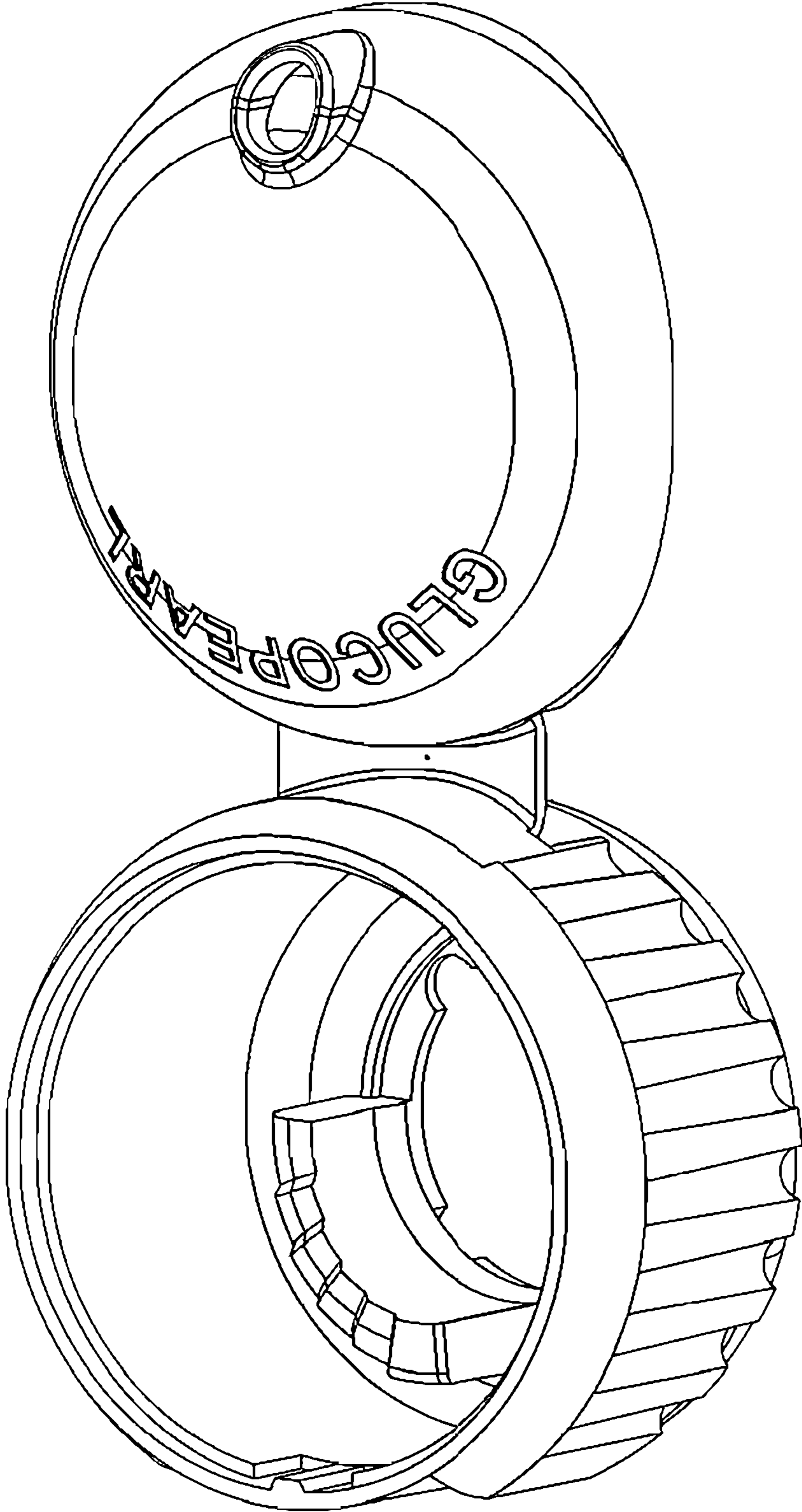


FIG. 18