



US00D711540S

(12) **United States Design Patent**  
**Steward, Jr.**

(10) **Patent No.:** **US D711,540 S**  
(45) **Date of Patent:** **\*\* Aug. 19, 2014**

(54) **ADJUSTABLE DENTAL MEDIA HOLDER**

(75) Inventor: **Curtis L. Steward, Jr.**, Sandwich, IL  
(US)

(73) Assignee: **DENTSPLY International Inc.**, York,  
PA (US)

(\*\*) Term: **14 Years**

(21) Appl. No.: **29/427,706**

(22) Filed: **Jul. 20, 2012**

(51) **LOC (10) Cl.** ..... **24-01**

(52) **U.S. Cl.**  
USPC ..... **D24/161**

(58) **Field of Classification Search**  
USPC ..... D24/158–161, 185, 186, 152, 176, 177;  
D8/394, 396; 378/38–40, 169–170,  
378/177, 180, 191, 205  
See application file for complete search history.

(56) **References Cited**

**U.S. PATENT DOCUMENTS**

4,484,342	A *	11/1984	Allison et al.	378/168
D283,157	S *	3/1986	MalDONADO et al.	D24/161
5,677,537	A *	10/1997	Pfeiffer	250/370.09
6,540,399	B1 *	4/2003	Eppinger et al.	378/170
7,819,579	B2 *	10/2010	Schmulenson et al.	378/170
8,016,483	B2 *	9/2011	Steward, Jr.	378/170
D682,428	S *	5/2013	Steward et al.	D24/161
2005/0190889	A1 *	9/2005	Sisto et al.	378/168
2009/0168953	A1 *	7/2009	Szommer	378/38
2010/0177875	A1 *	7/2010	Steward et al.	378/170
2010/0322386	A1 *	12/2010	Steck et al.	378/191
2011/0280378	A1 *	11/2011	Feltz et al.	378/191
2013/0089185	A1 *	4/2013	Winters et al.	378/170

\* cited by examiner

*Primary Examiner* — Anhdao Doan

(74) *Attorney, Agent, or Firm* — Leana Levin; Douglas J. Hura; David A. Zdurne

(57) **CLAIM**

The ornamental design for an adjustable dental media holder, as shown and described.

**DESCRIPTION**

FIG. 1 is a forward perspective view of a first embodiment of an adjustable dental media holder of the present invention; FIG. 2 is a rearward perspective view of the adjustable dental media holder shown in FIG. 1; FIG. 3 is a top view of the adjustable dental media holder shown in FIG. 1; FIG. 4 is a zoomed-in view of the adjustable dental media holder shown in FIG. 3; FIG. 5 is a perspective view of the sensor holder component of the adjustable dental media of the present invention and shown in FIG. 1; FIG. 6 is a rearward view of the sensor holder component shown in FIG. 5; FIG. 7 is a front view of the sensor holder component shown in FIG. 5; FIG. 8 is a bottom view of the sensor holder component shown in FIG. 5; FIG. 9 is a top view of the sensor holder component shown in FIG. 5; FIG. 10 is a left side view of the sensor holder component shown in FIG. 6, the right side view being a mirror image; FIG. 11 is a perspective view of the bite block component of the adjustable dental media holder shown in FIG. 1; FIG. 12 is a front view of the bite block component shown in FIG. 11; FIG. 13 is a rearward view of the bite block component shown in FIG. 11; FIG. 14 is a right side view of the bite block component shown in FIG. 11, the left side view being a mirror image; FIG. 15 is a top view of the bite block component shown in FIG. 11; FIG. 16 is a bottom view of the bite block component shown in FIG. 11; FIG. 17 is a rearward perspective view of the adjustable dental media holder shown in FIG. 1 with the digital sensor; FIG. 18 is a front perspective view of the adjustable dental media holder shown in FIG. 17; FIG. 19 is a rearward perspective view of the adjustable dental media holder shown in FIG. 17 with a ring attachment; FIG. 20 is a forward perspective view of the adjustable dental media holder shown in FIG. 19;

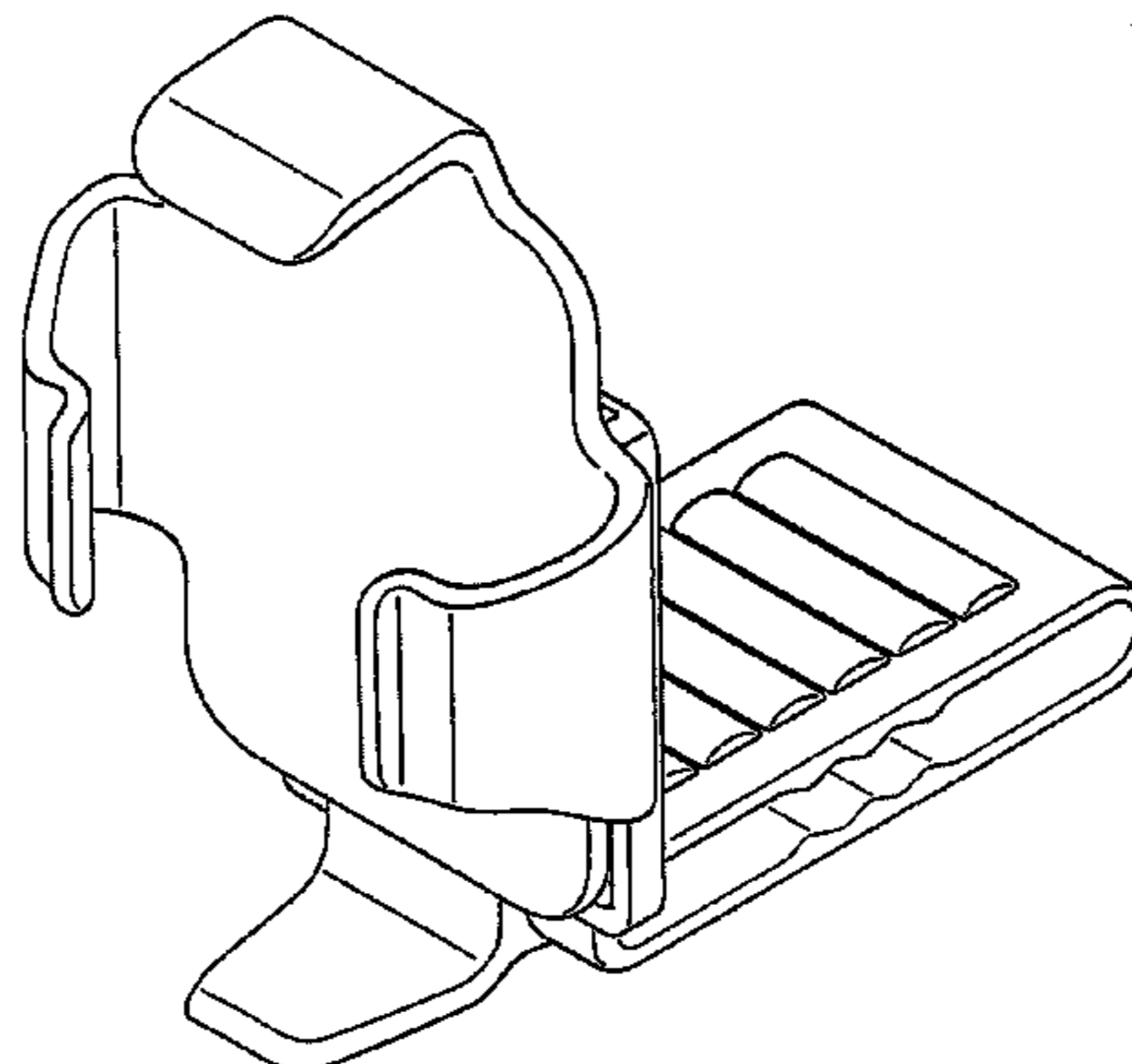


FIG. 21 is a rearward perspective view of the adjustable dental media holder shown in FIG. 16 with the sensor holder component shown in an alternate position;

FIG. 22 is a forward perspective view of the adjustable dental media holder shown in FIG. 21;

FIG. 23 is a rearward perspective view of the adjustable dental media holder shown in FIG. 16 with a ring attachment and the sensor holder component shown in another alternate position;

FIG. 24 is a front perspective view of the adjustable dental media holder shown in FIG. 23; and,

FIG. 25 is an exploded perspective view of the adjustable dental media holder shown in FIG. 1.

The broken lines are included to illustrate environmental subject matters and form no part of the claimed design.

**1 Claim, 20 Drawing Sheets**

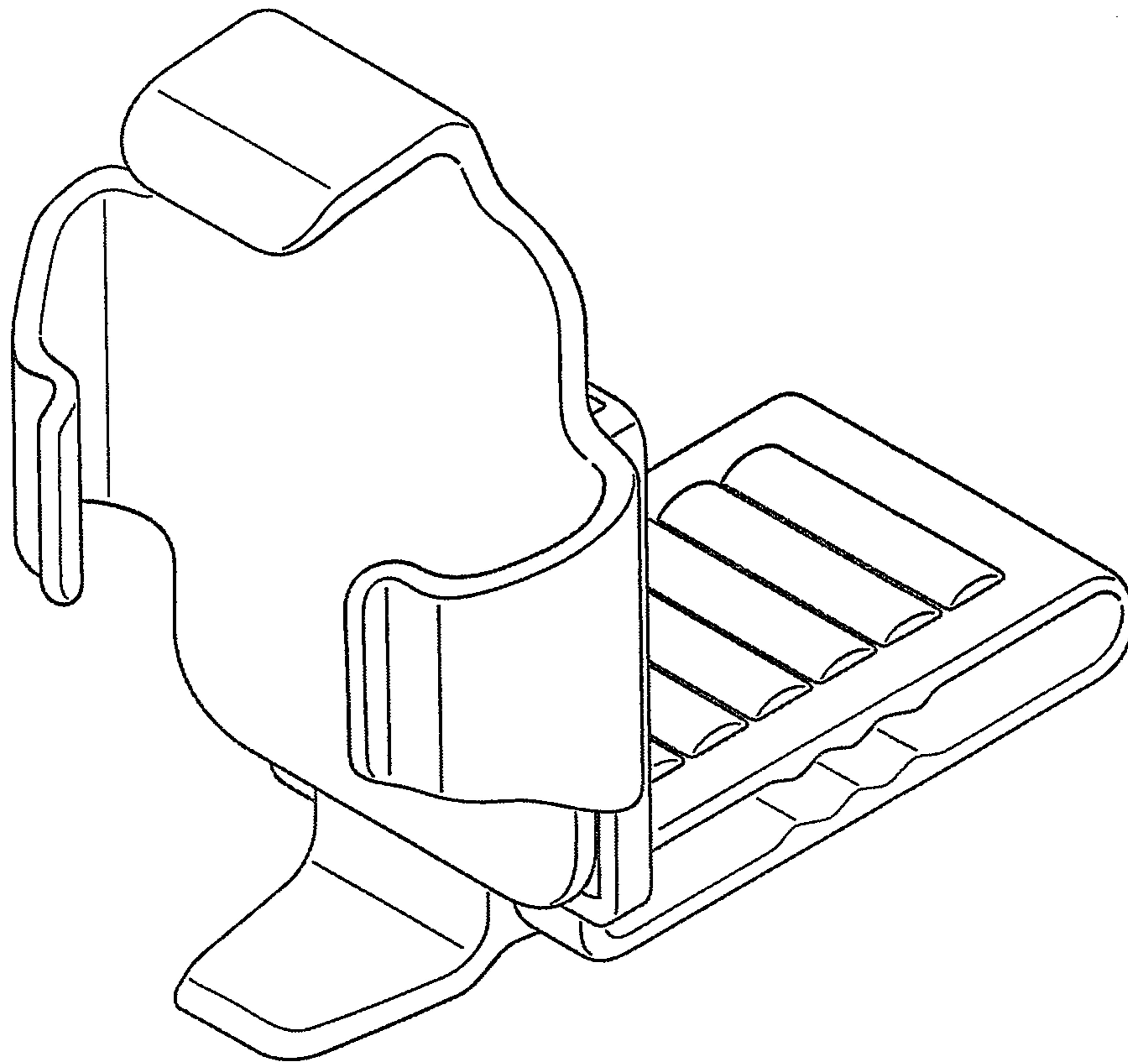


FIG. 1

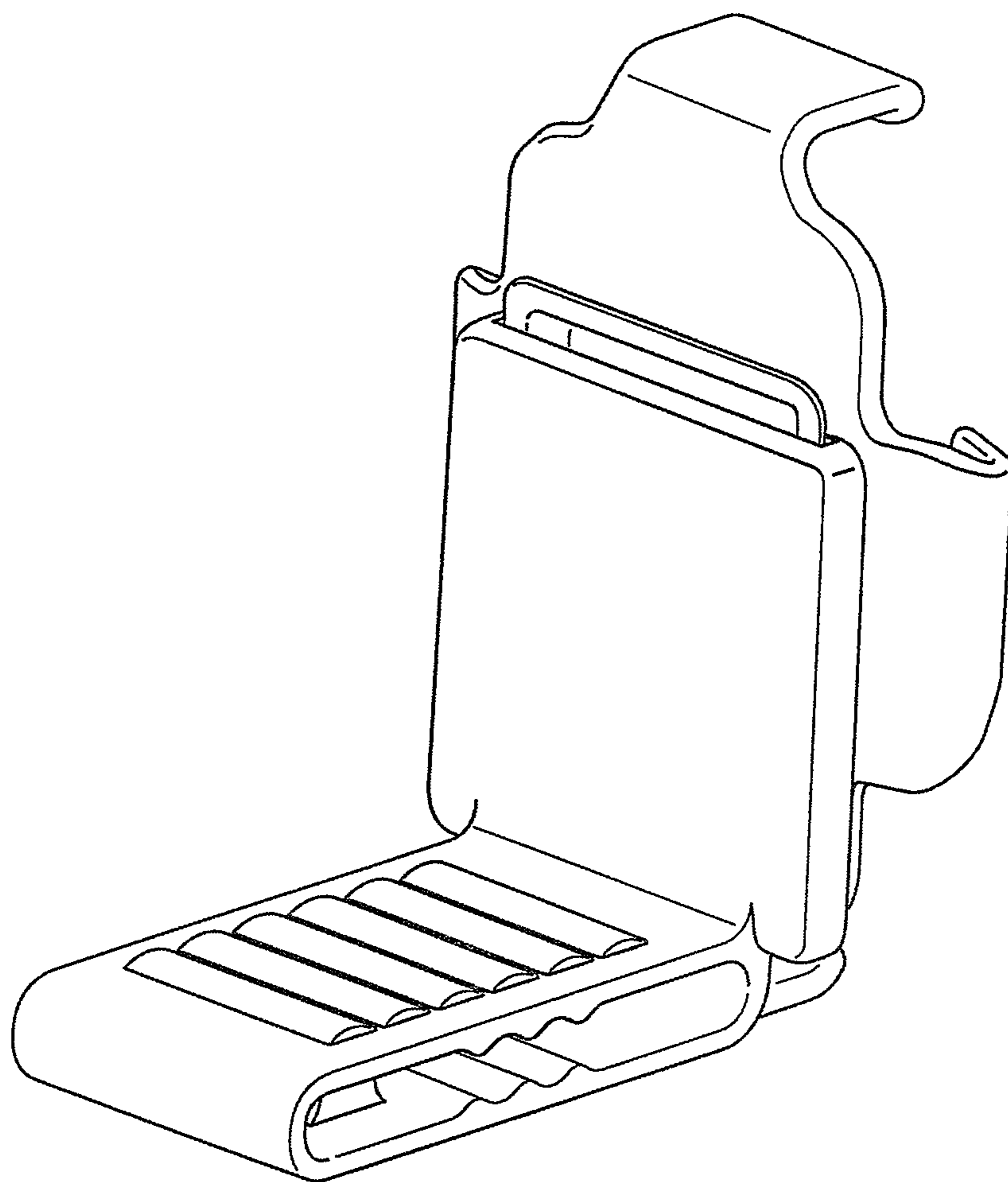
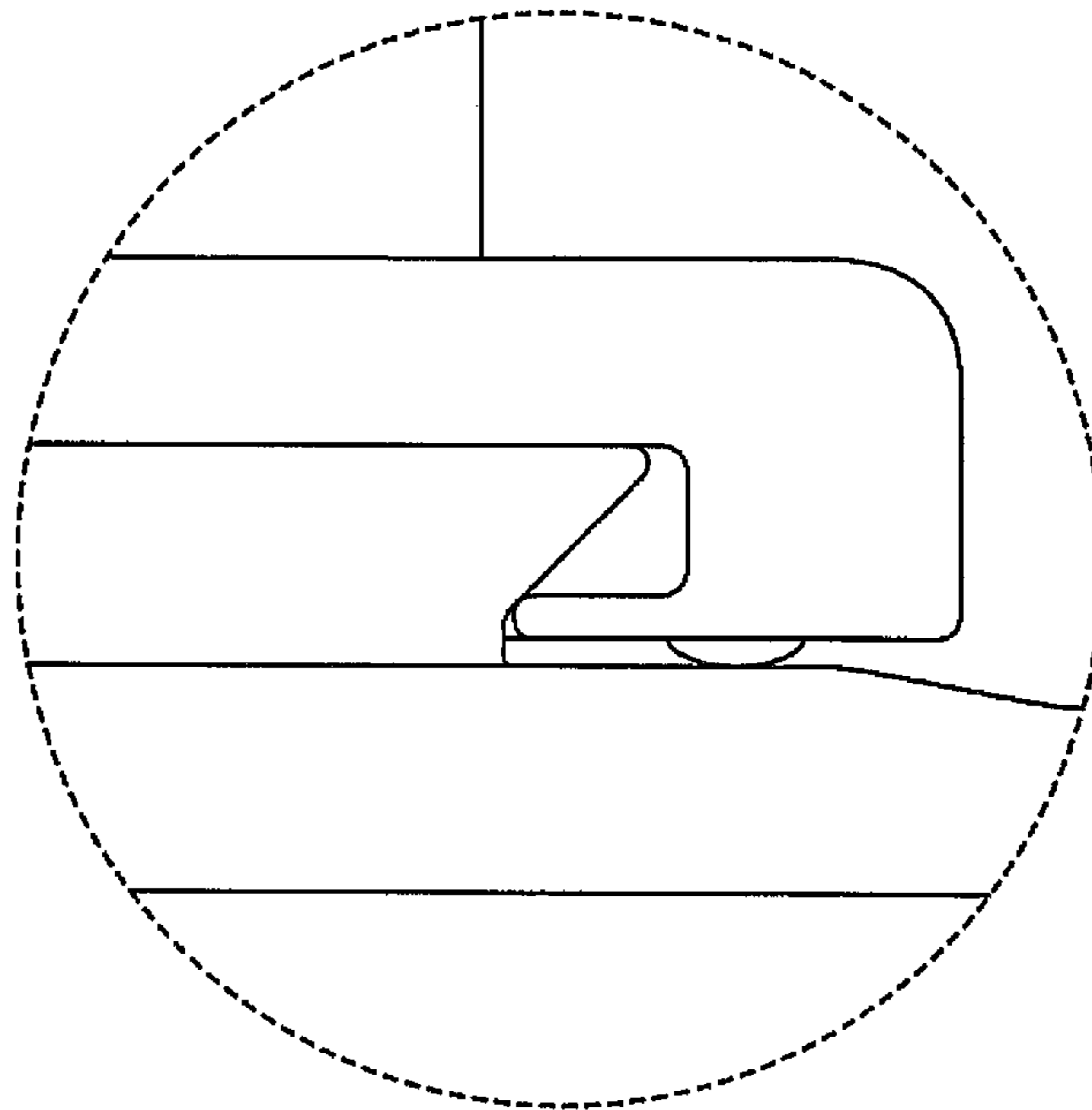
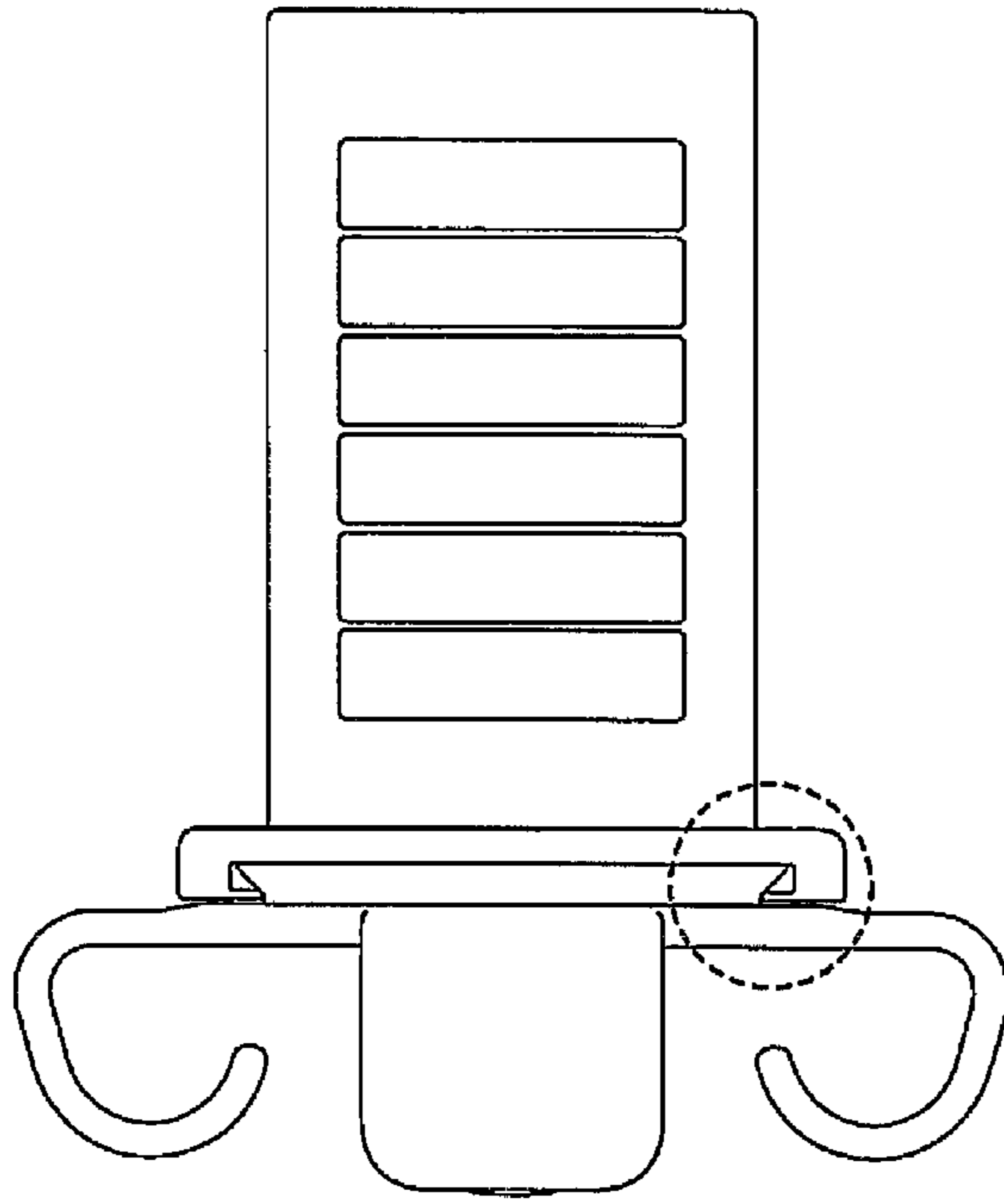


FIG. 2



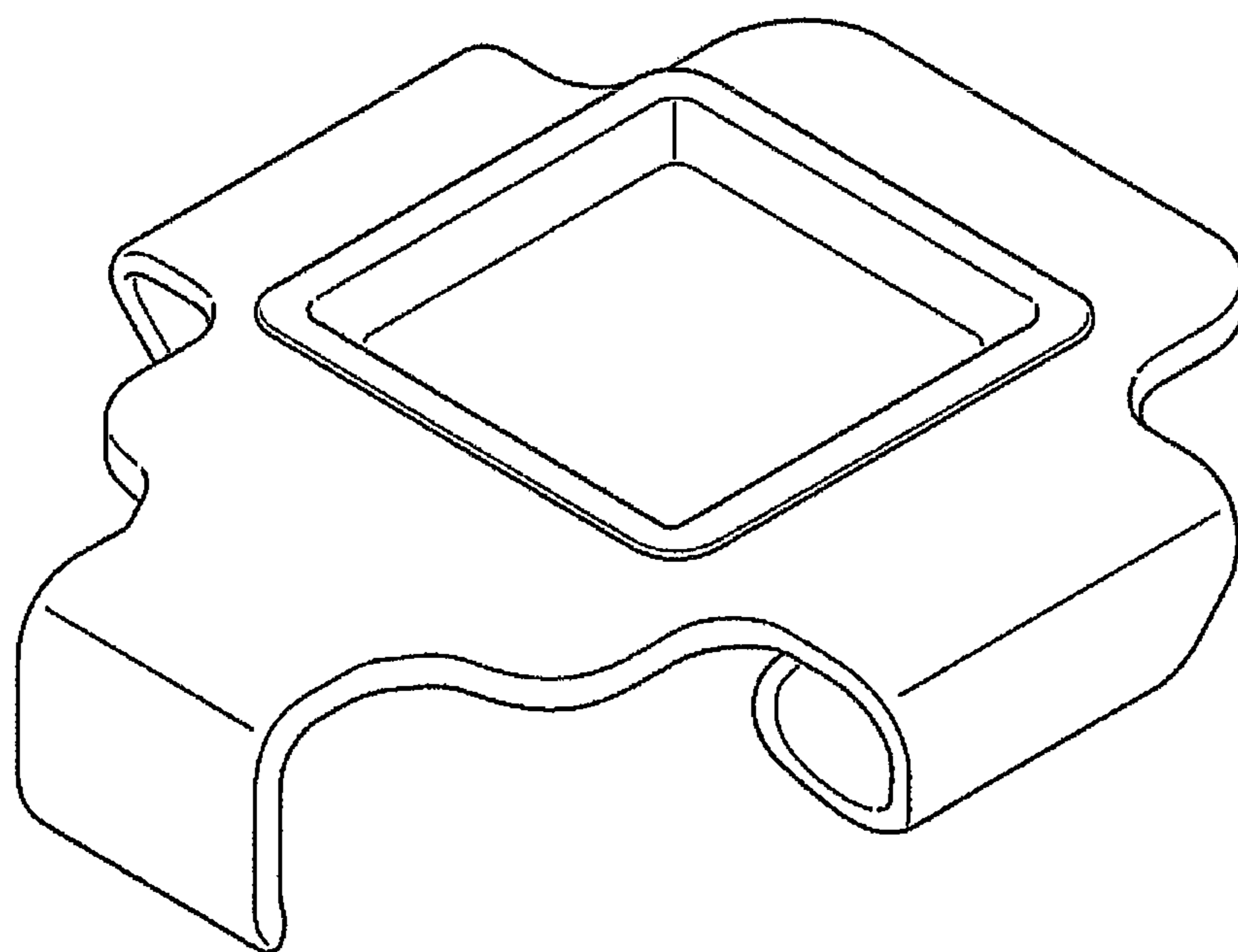


FIG. 5

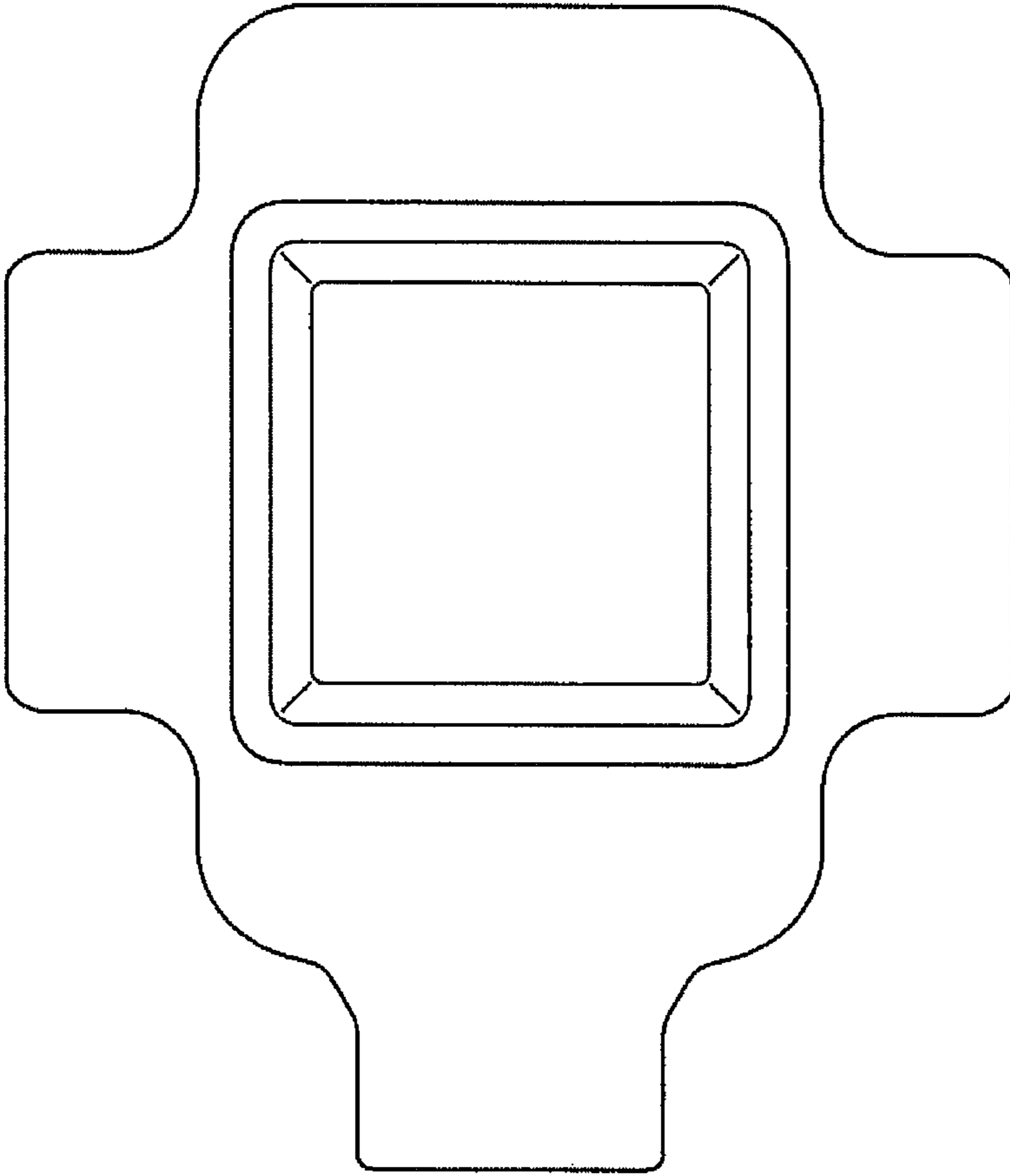


FIG. 6

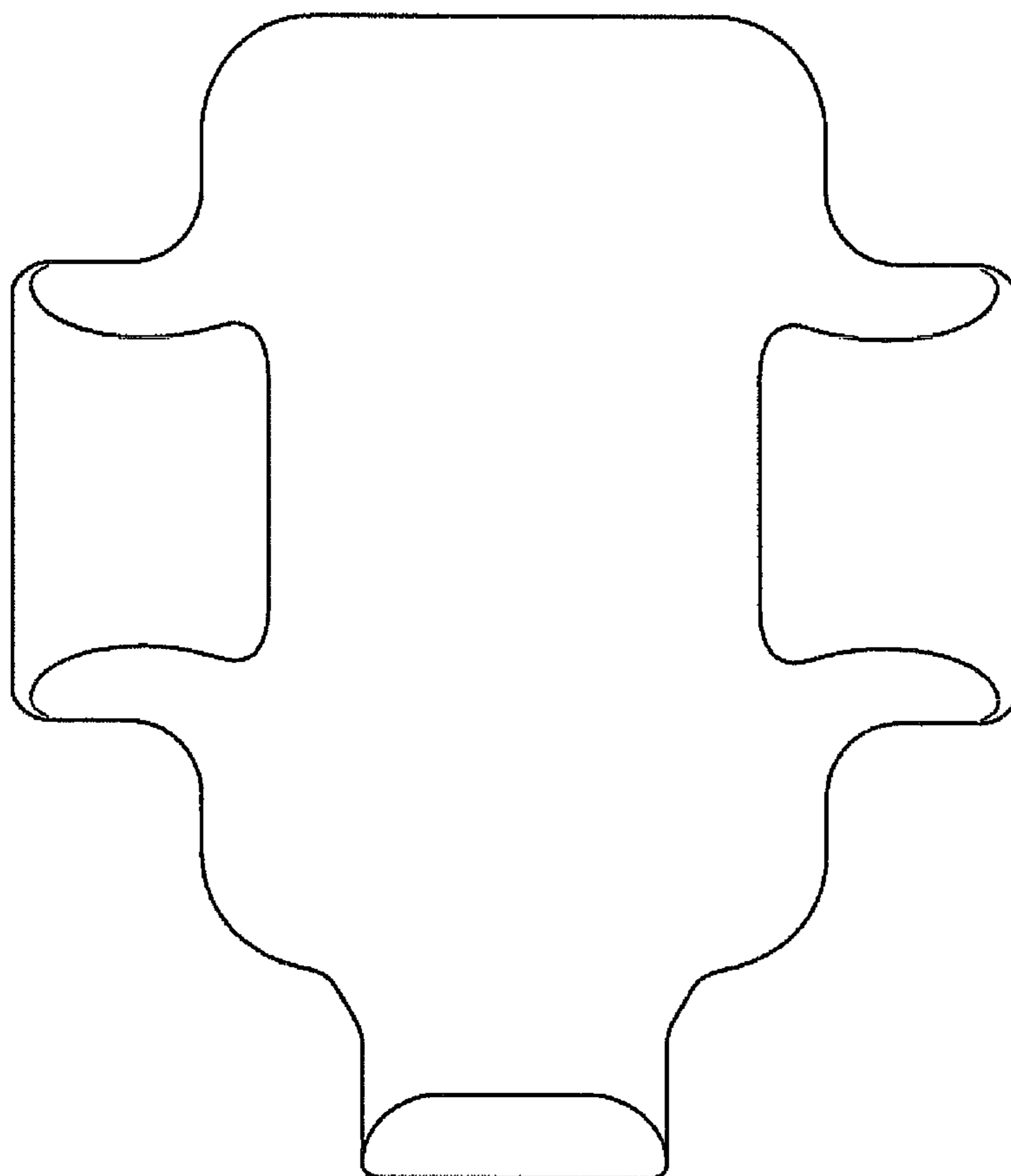


FIG. 7



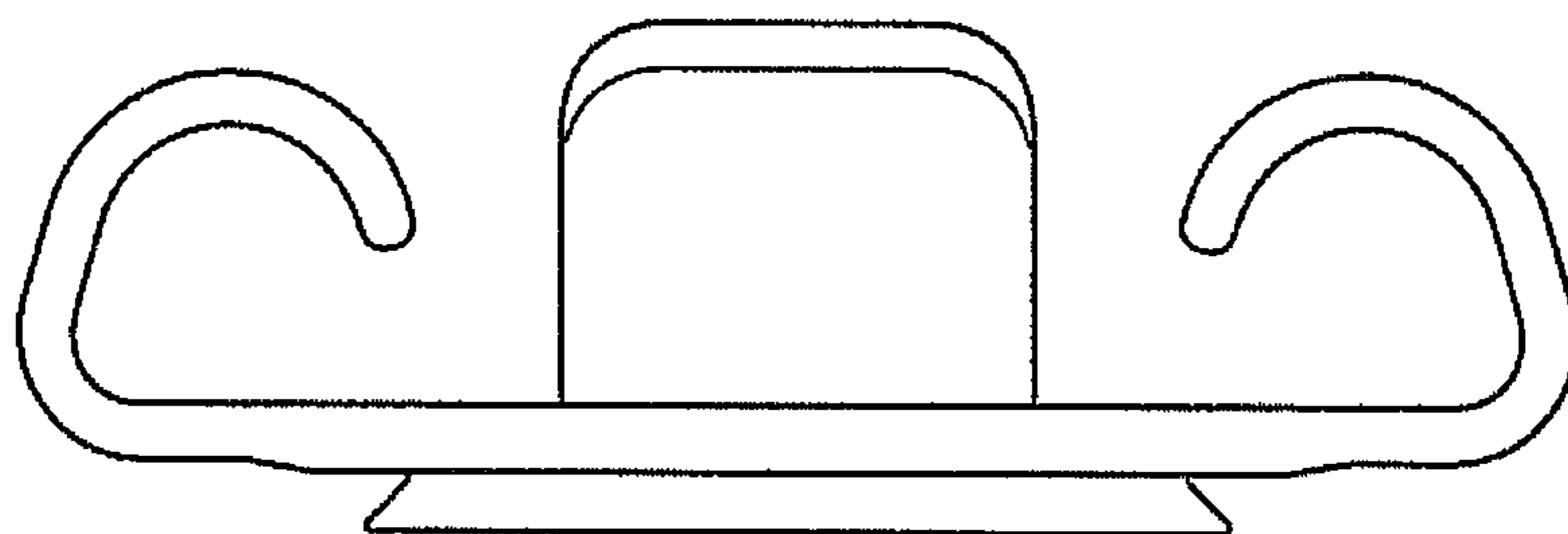


FIG. 8

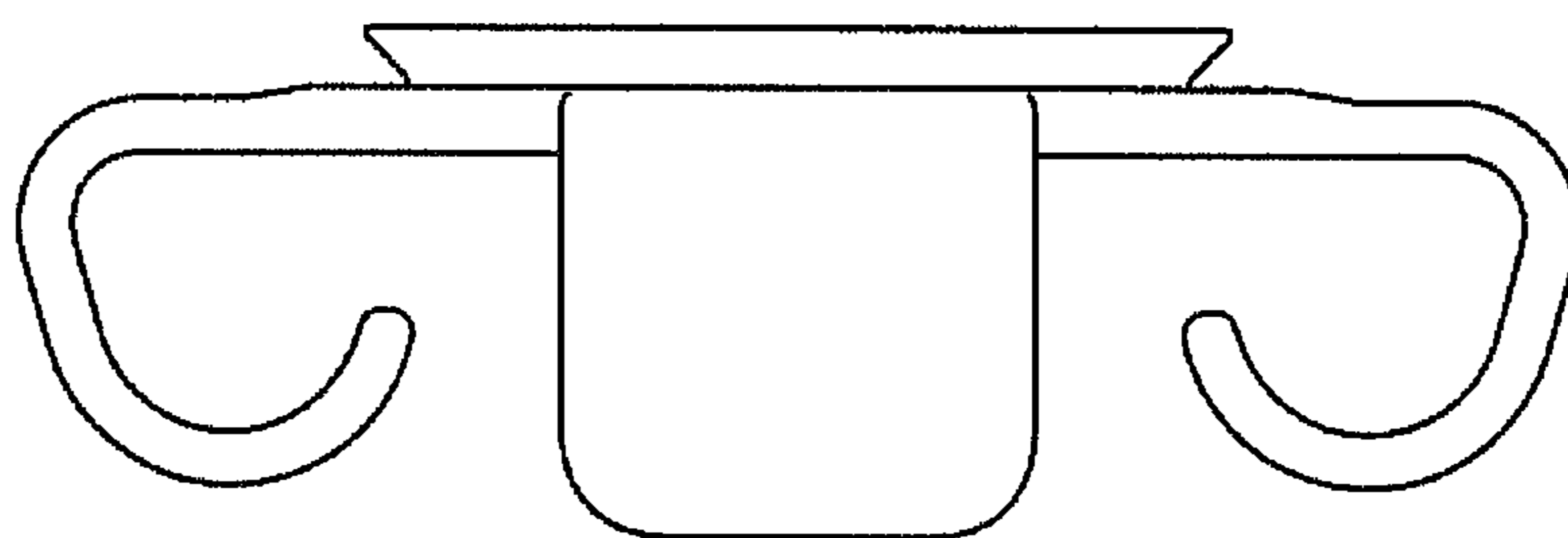


FIG. 9

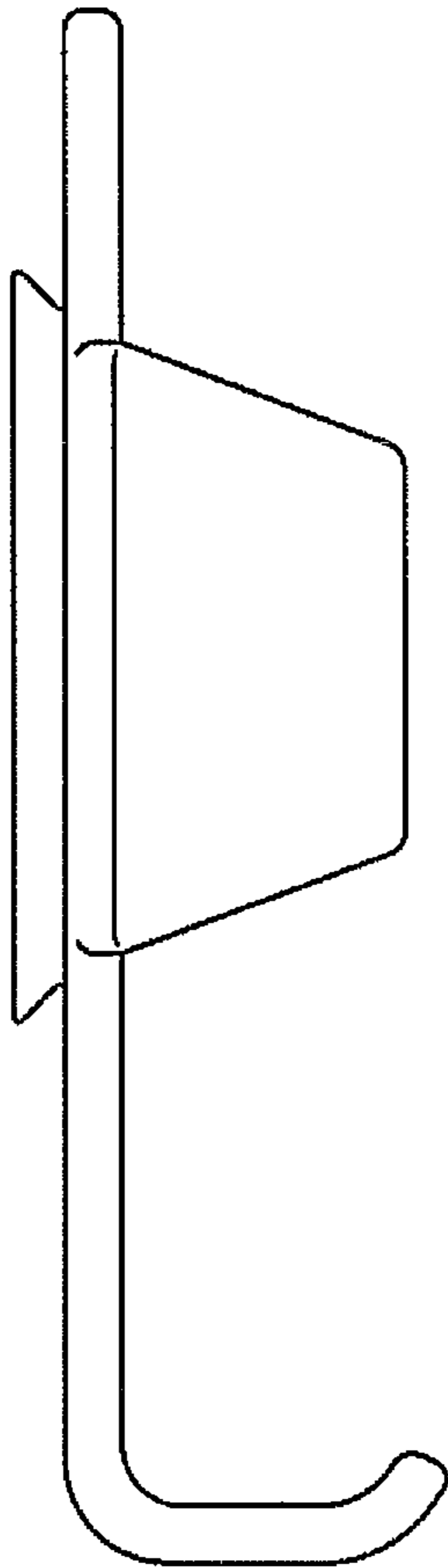


FIG. 10

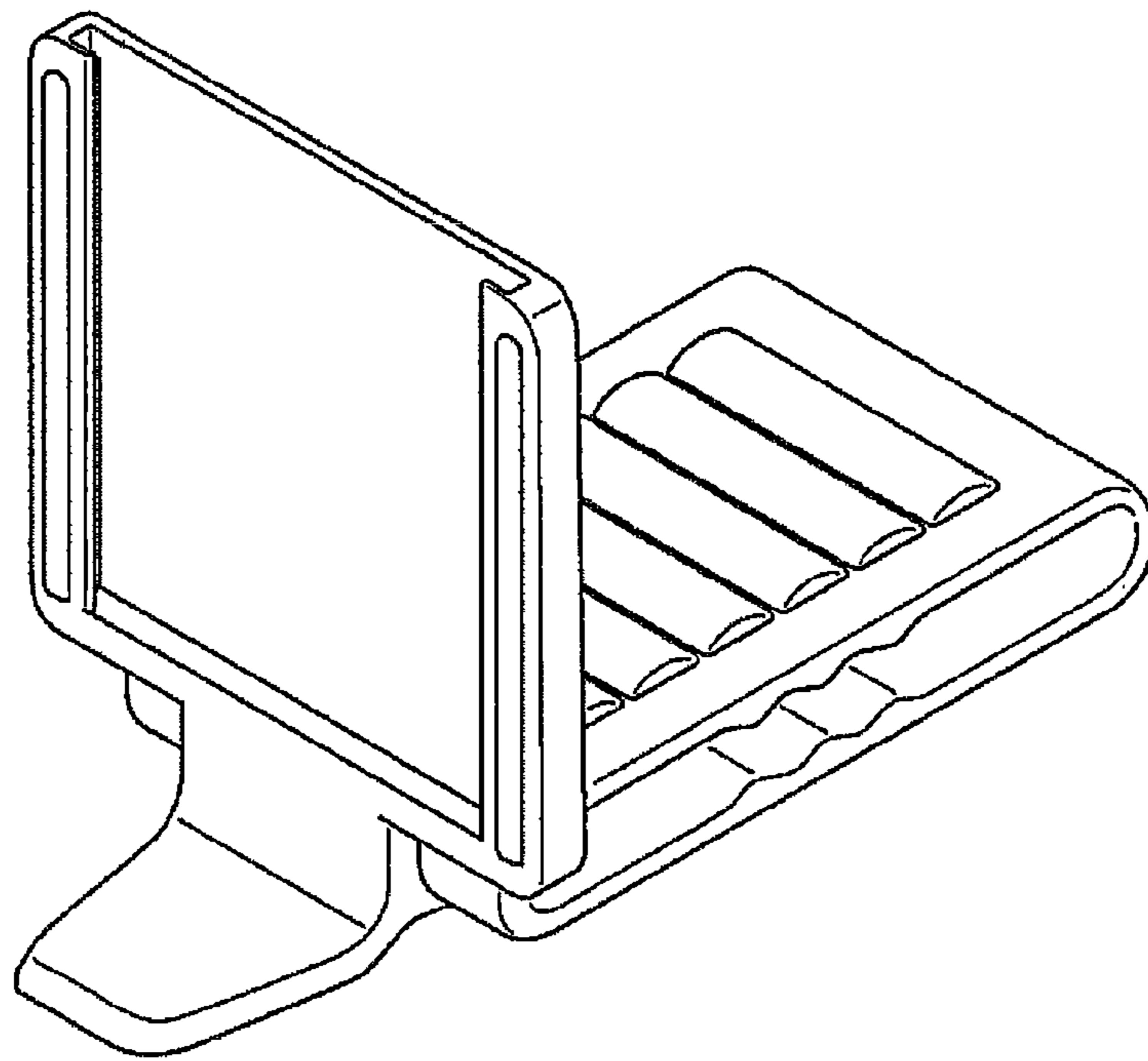


FIG. 11

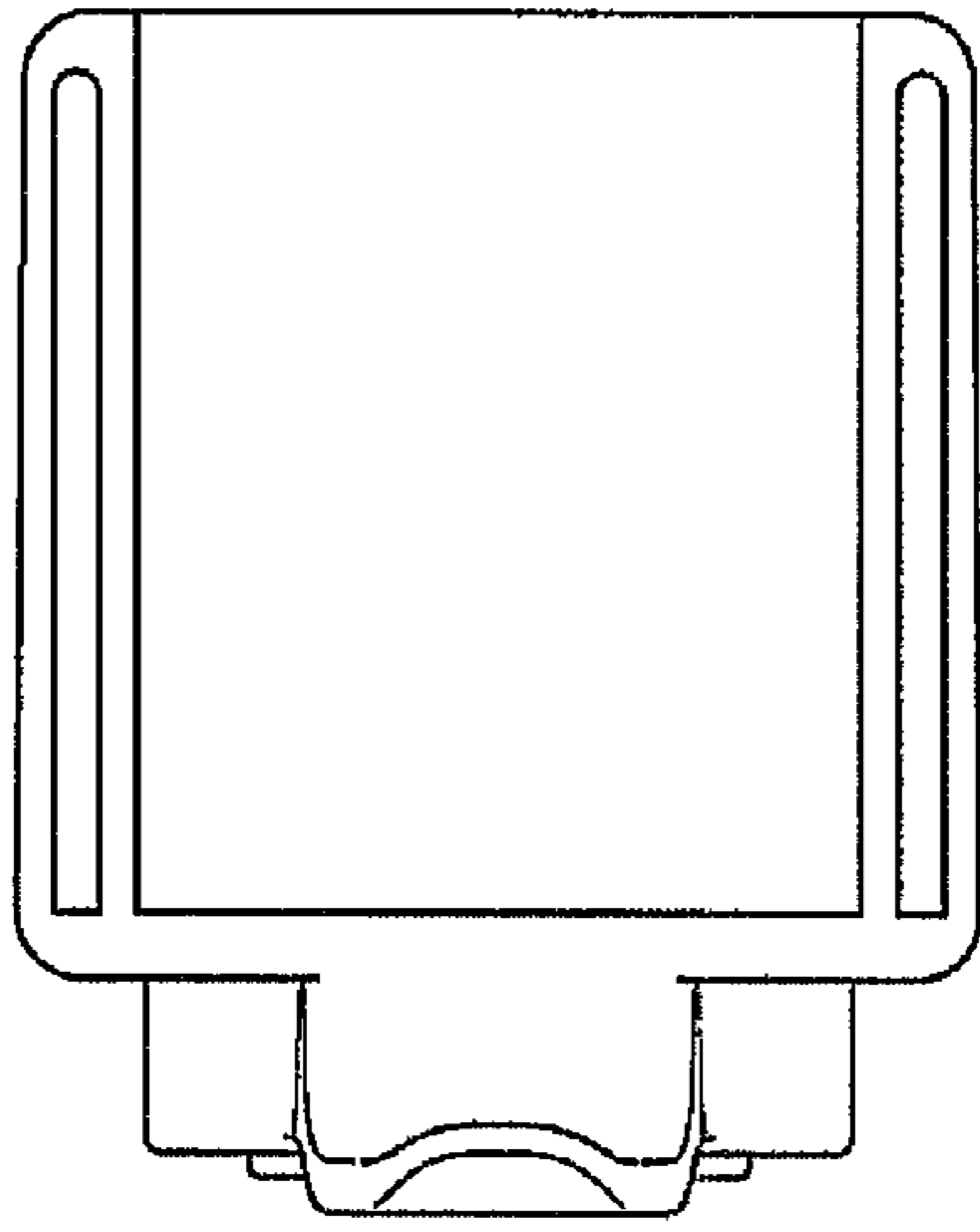


FIG. 12

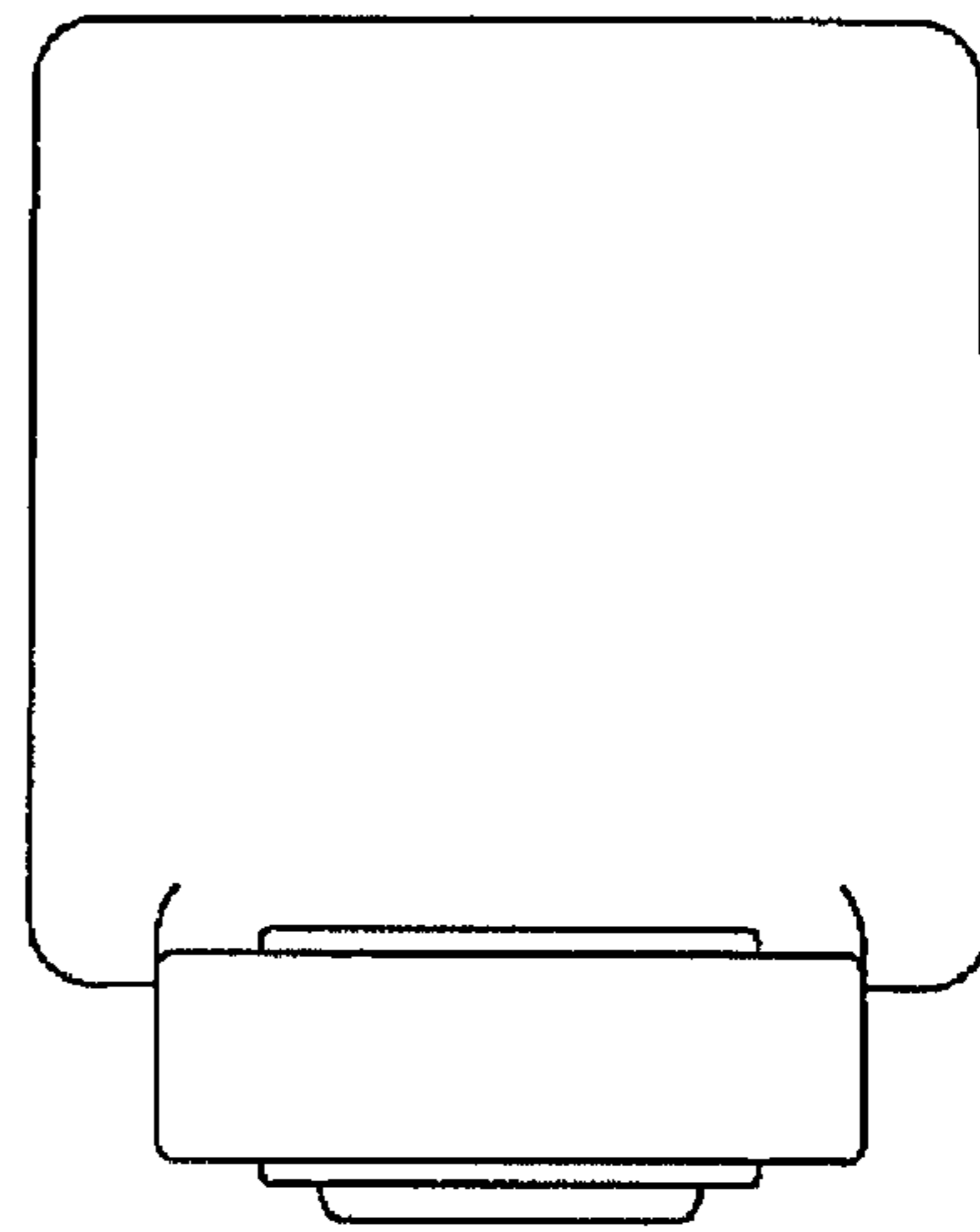


FIG. 13

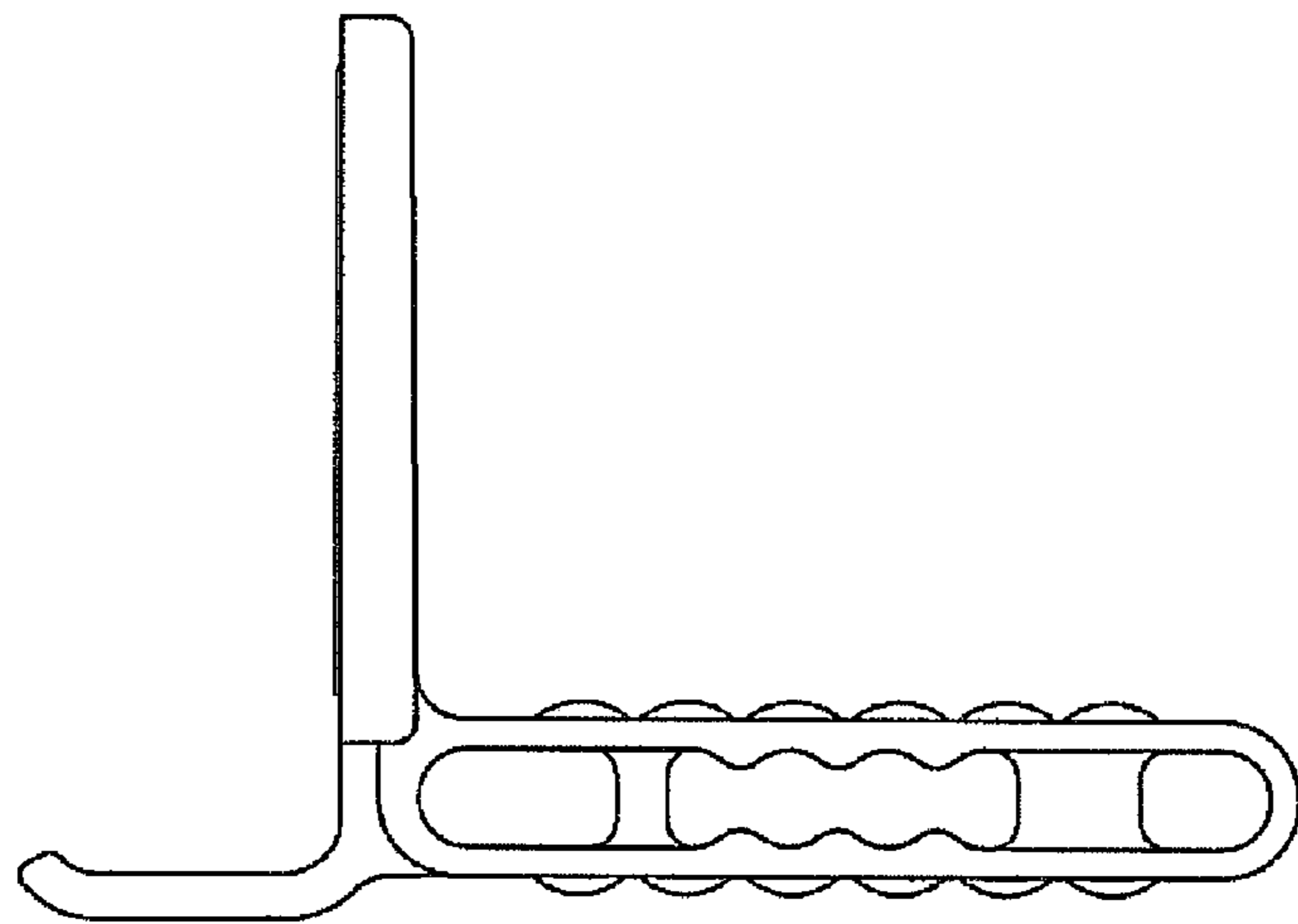


FIG. 14

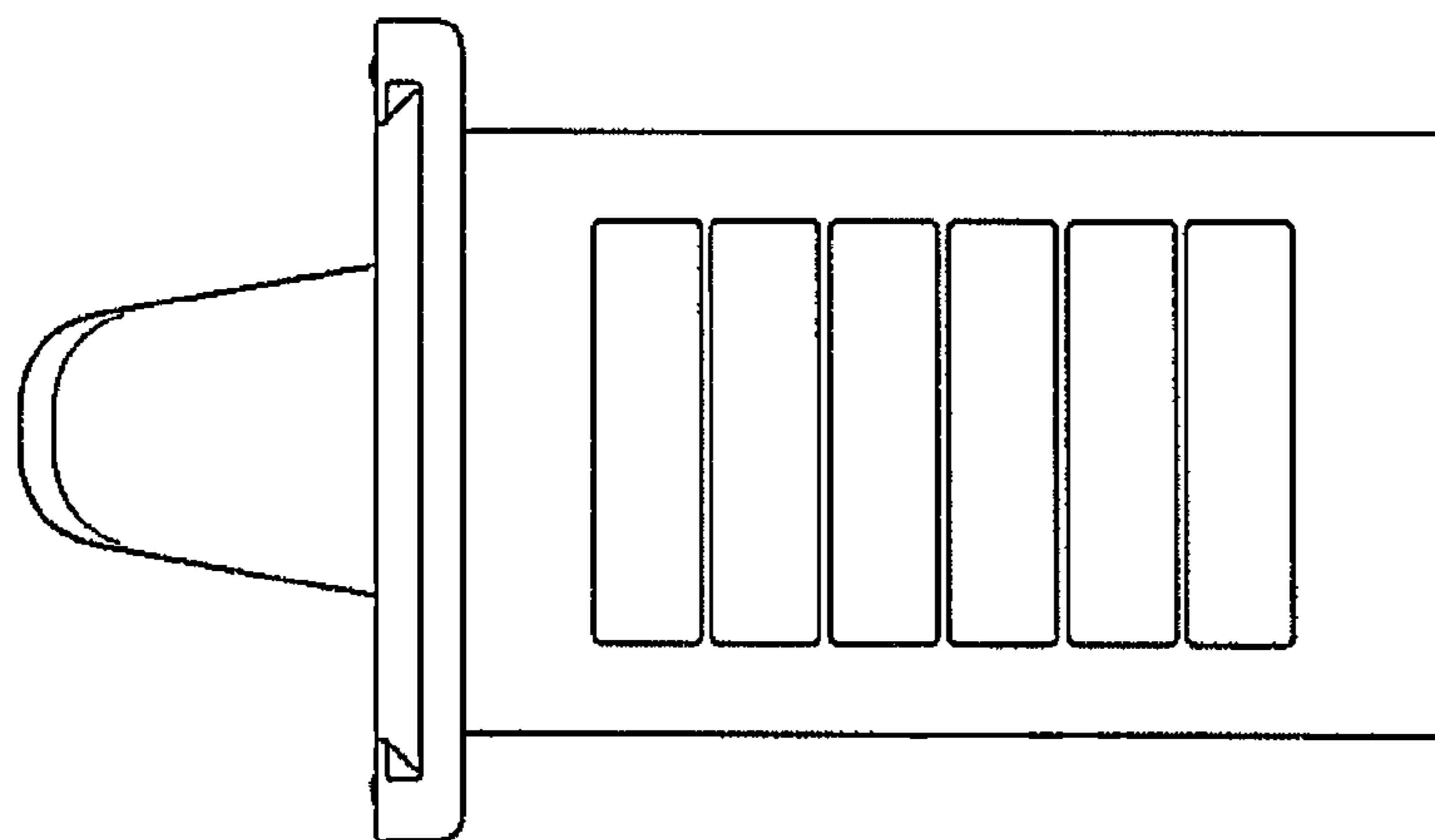


FIG. 15

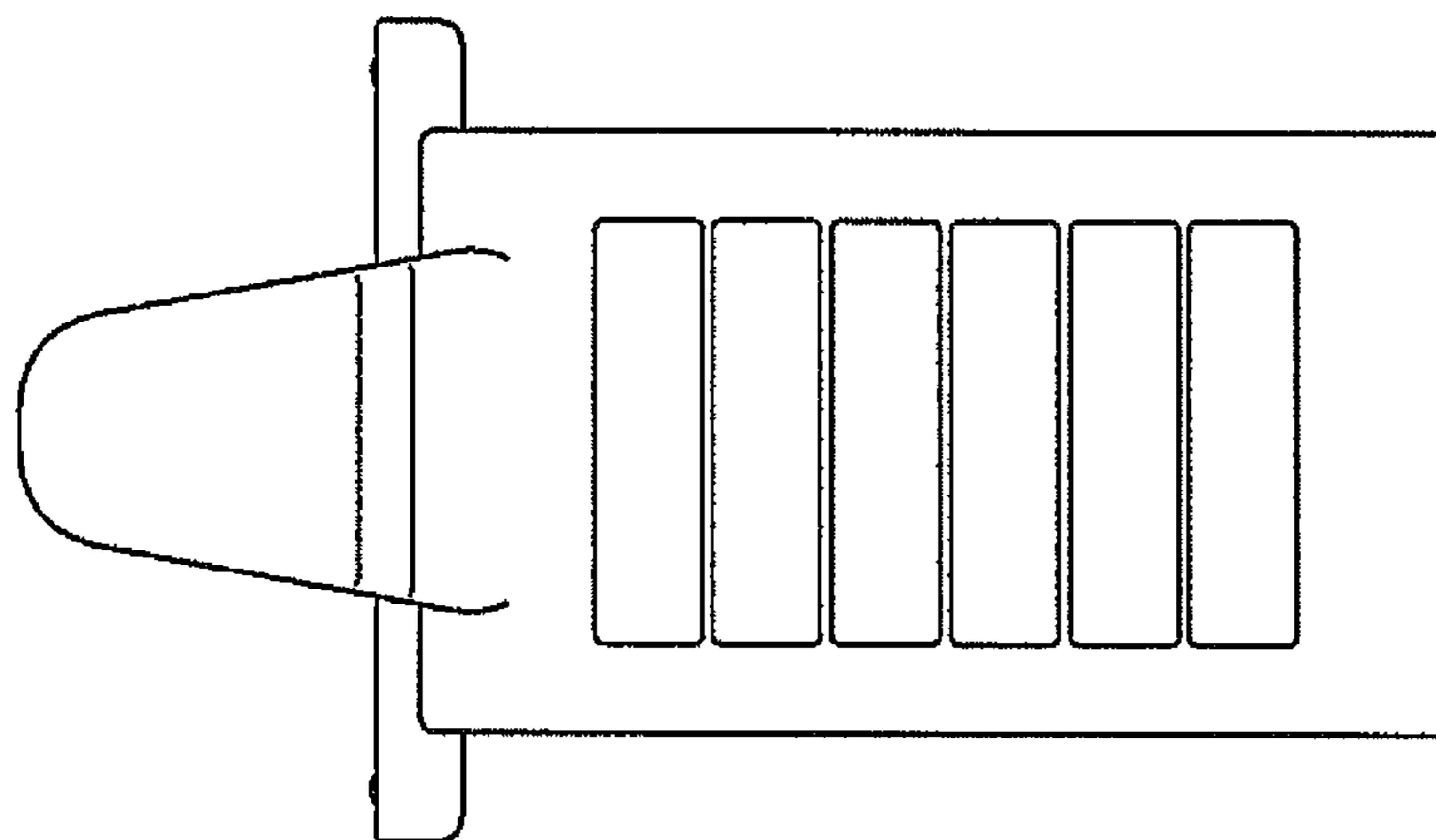


FIG. 16

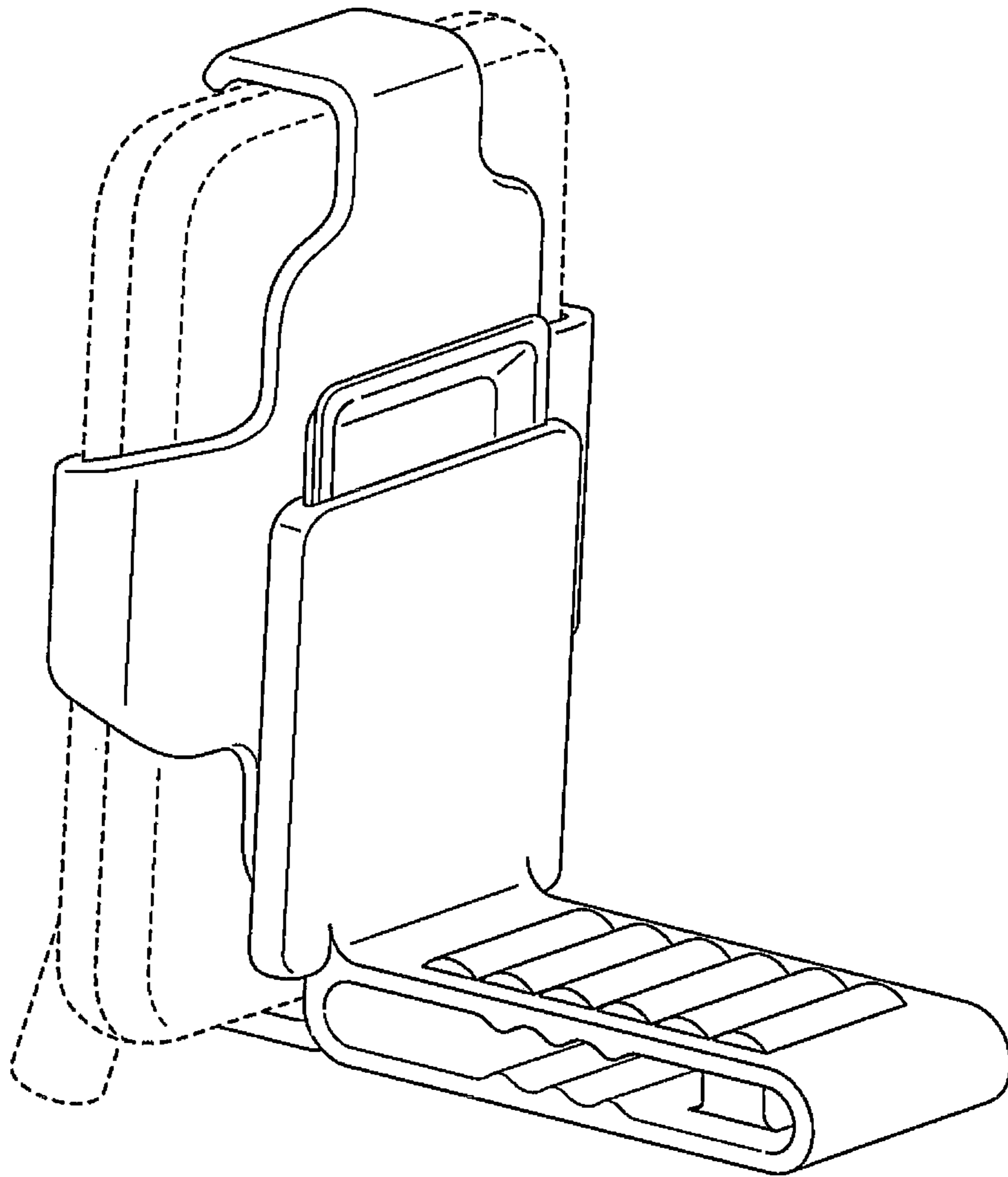


FIG. 17

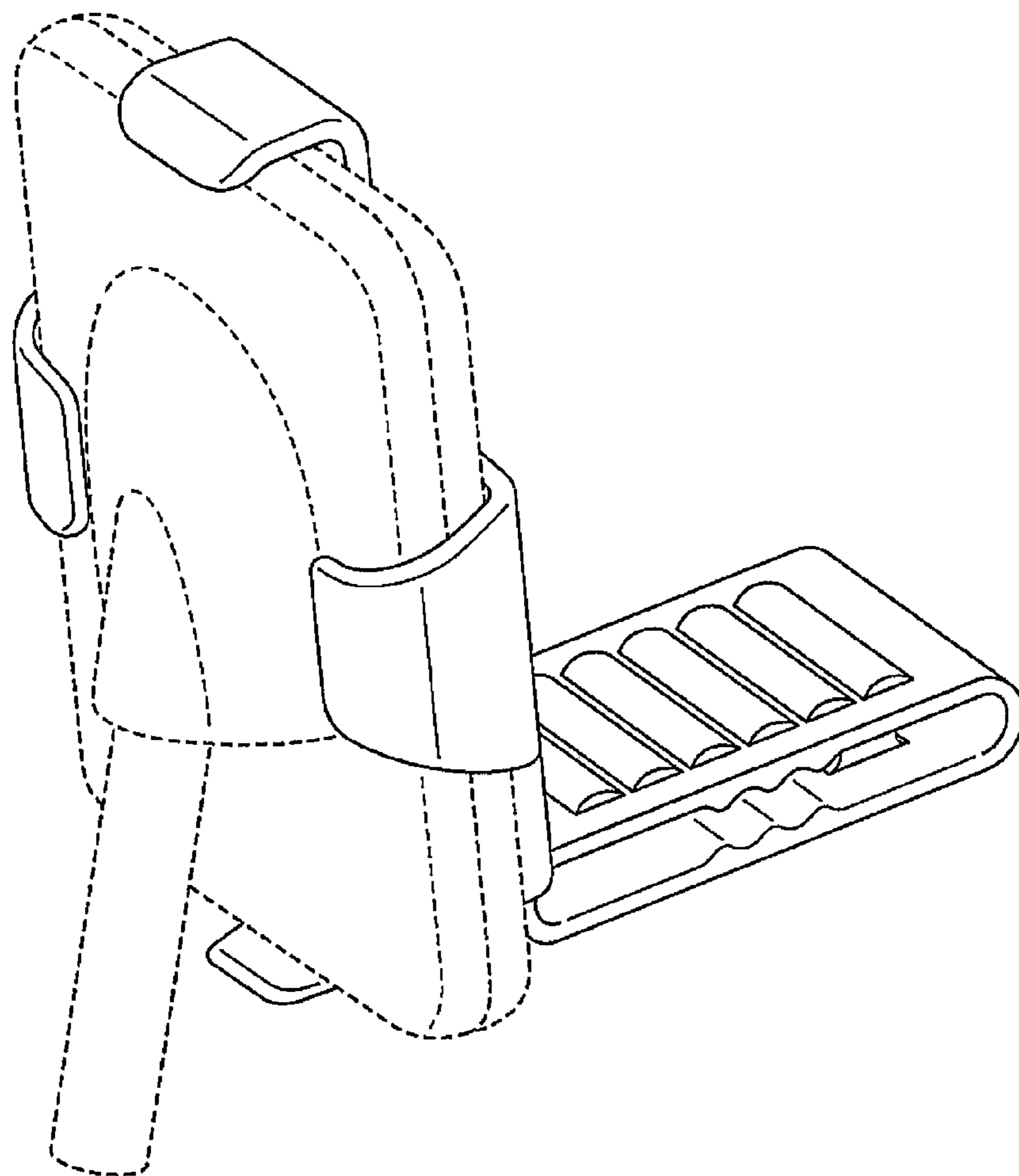


FIG. 18

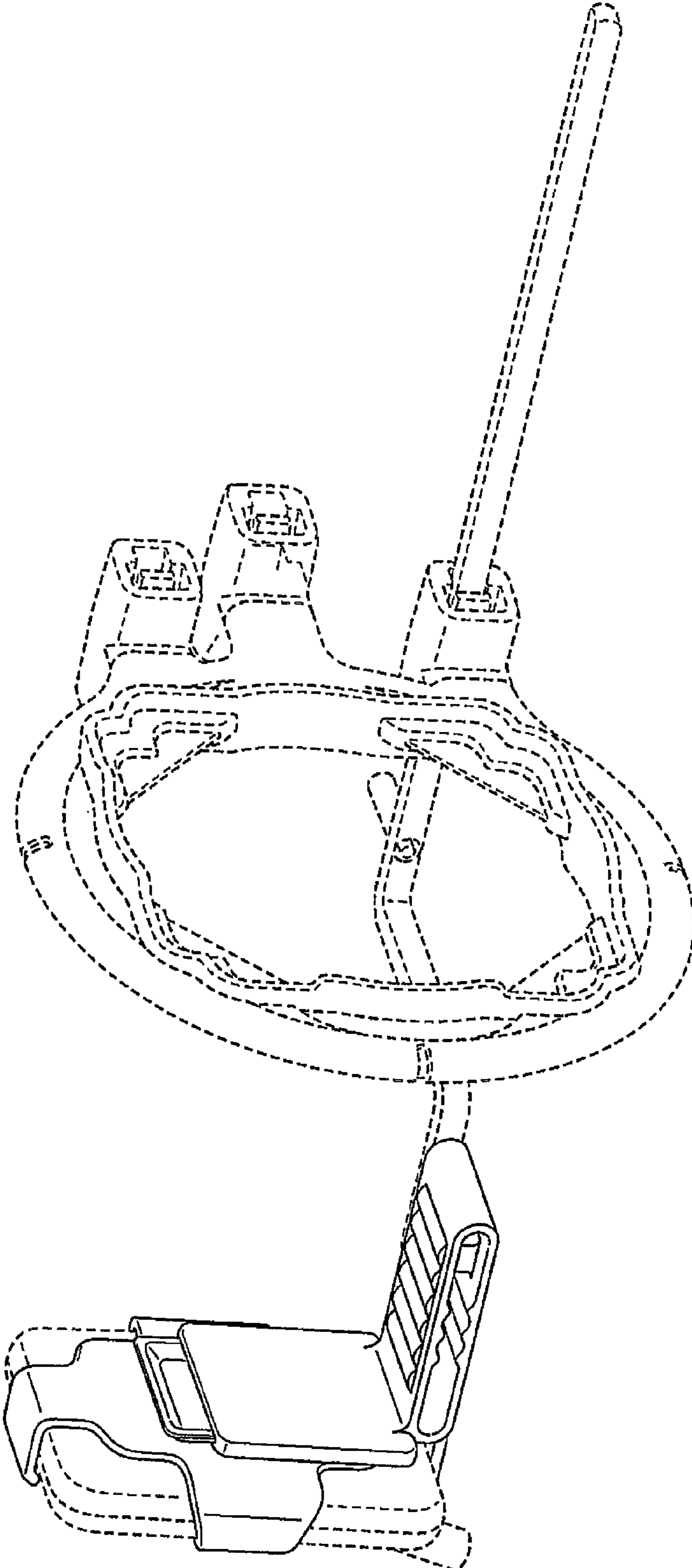


FIG. 19



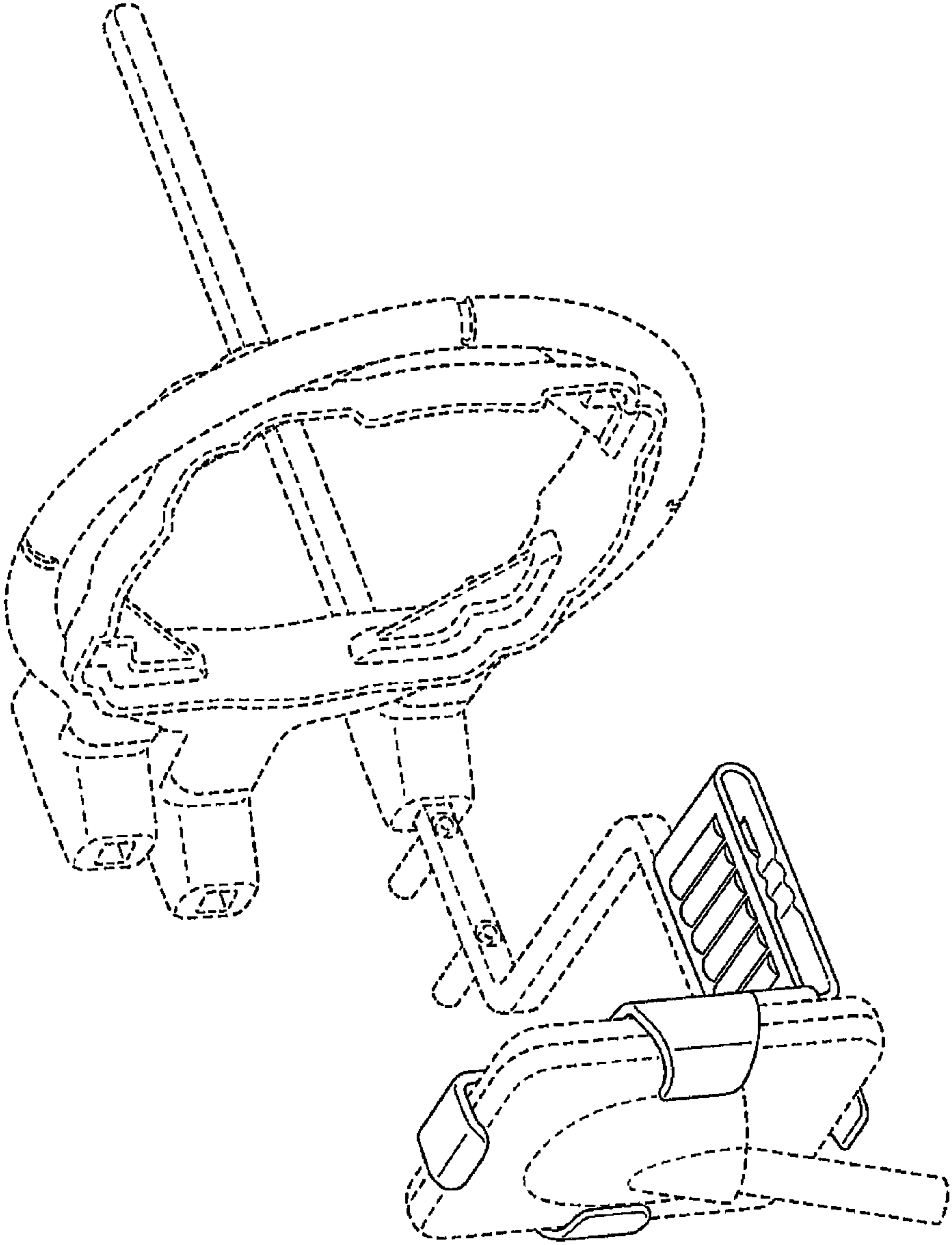


FIG. 20

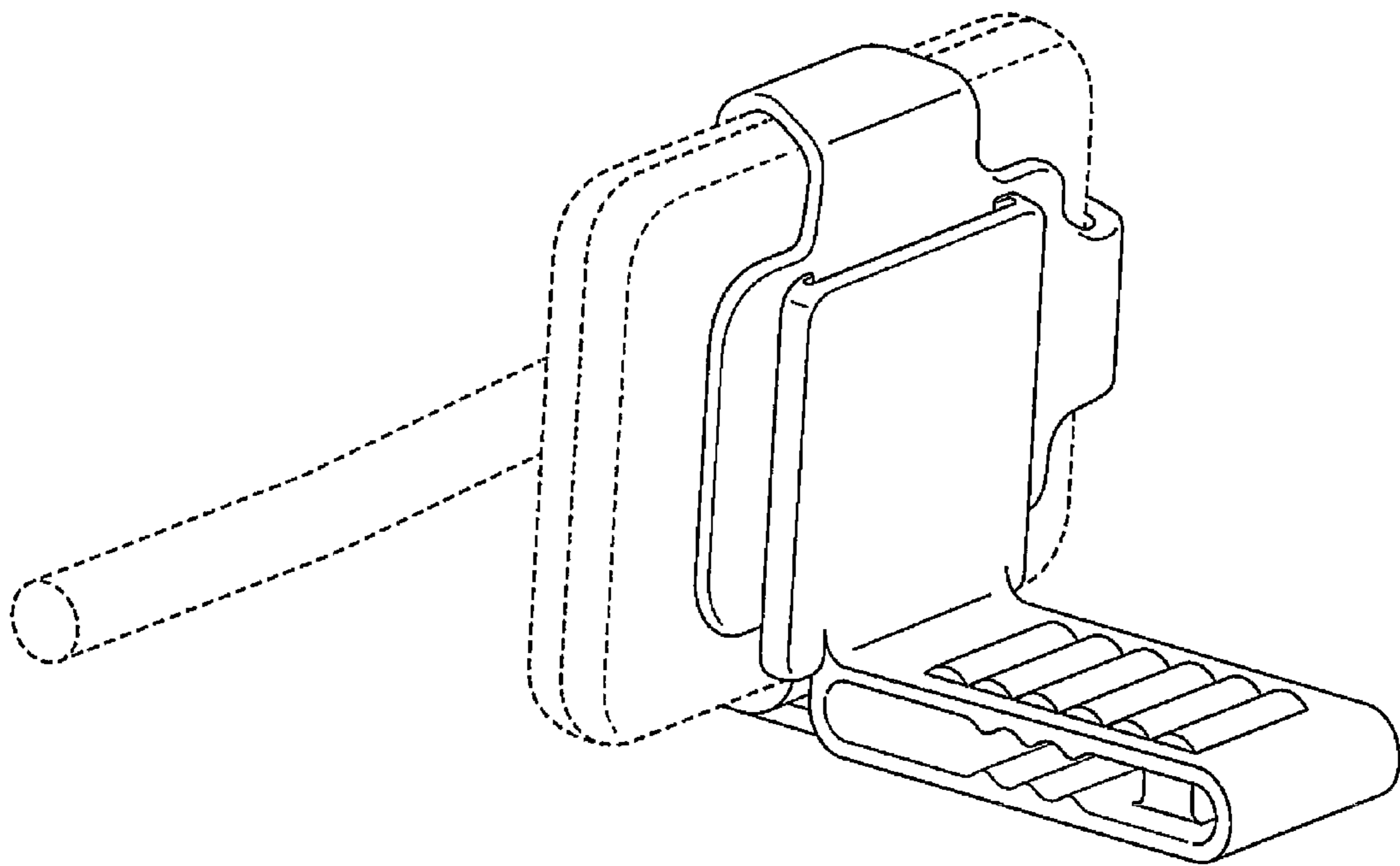


FIG. 21

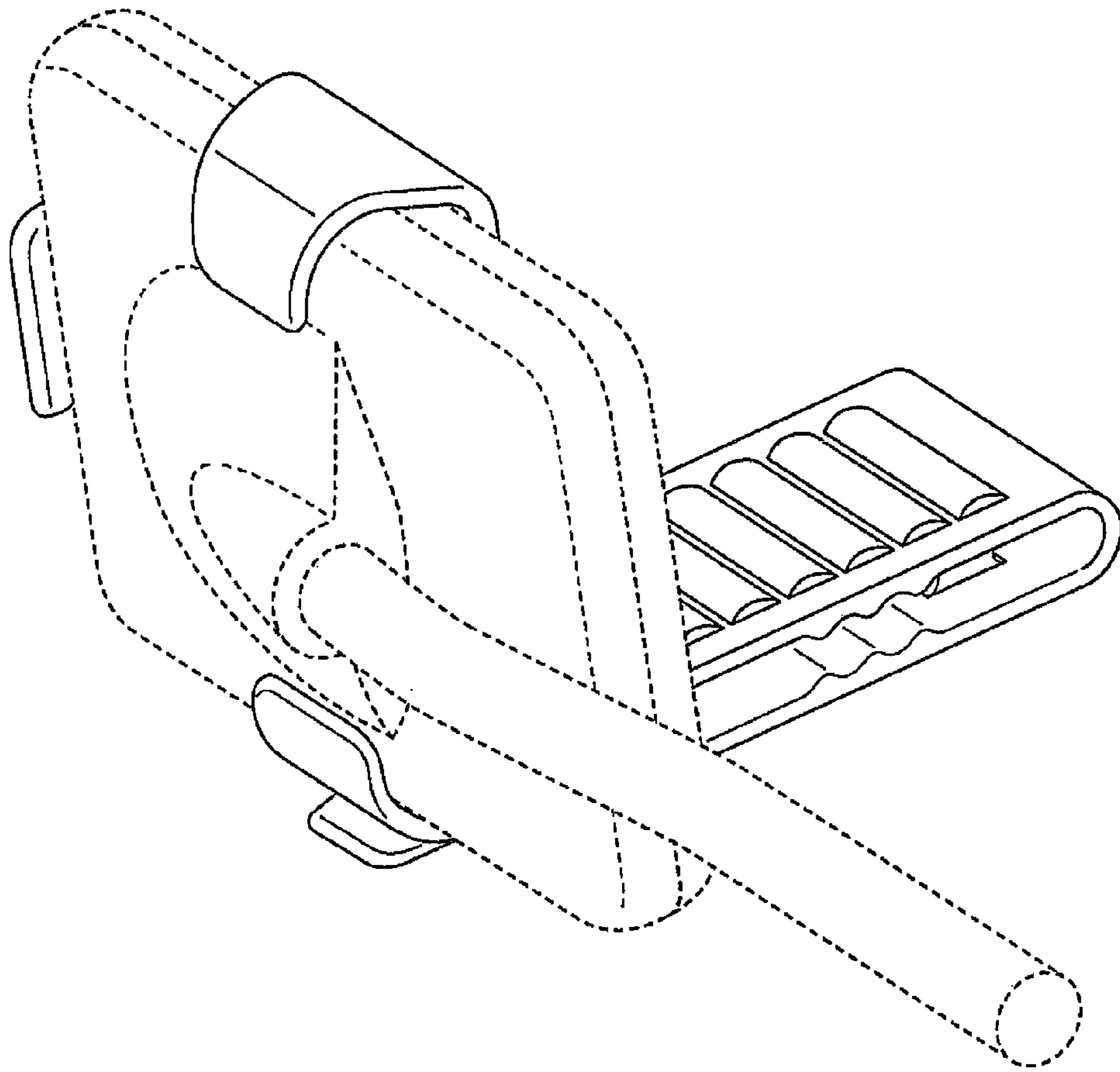


FIG. 22

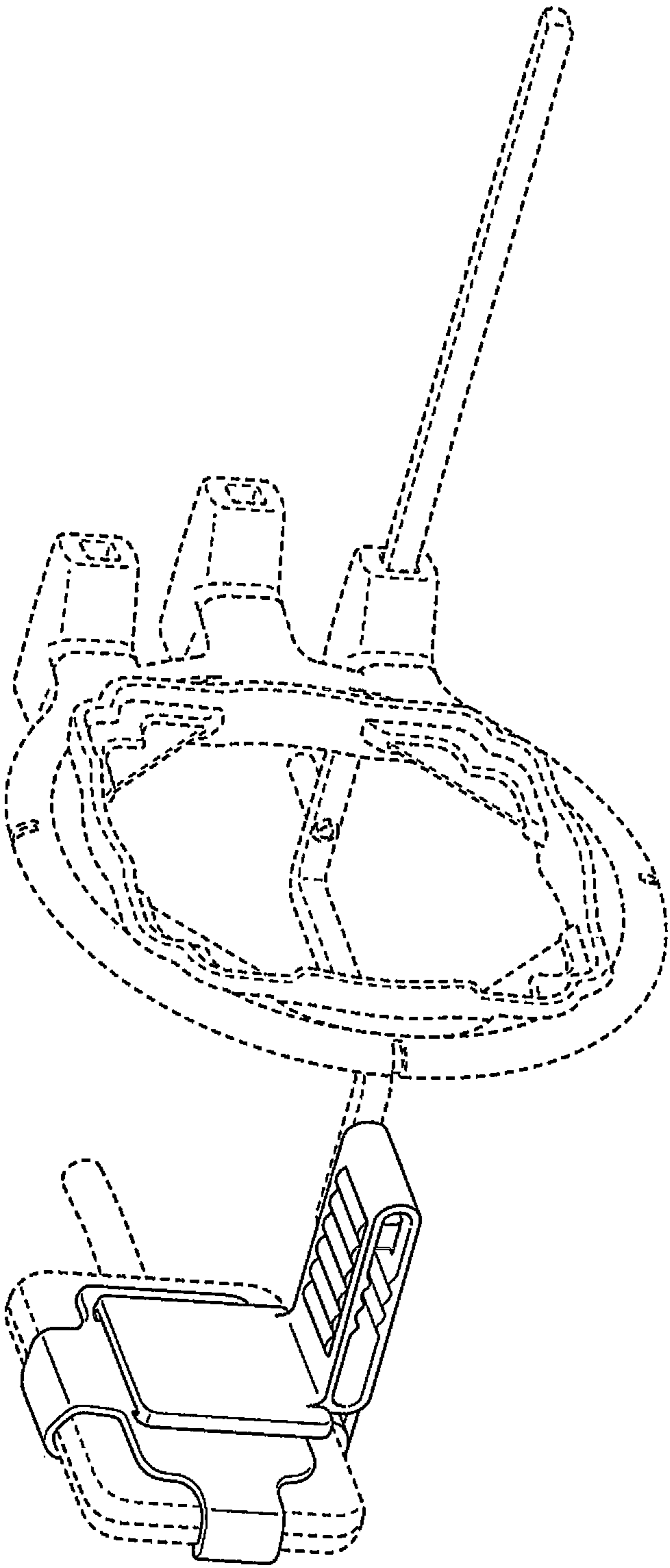


FIG. 23

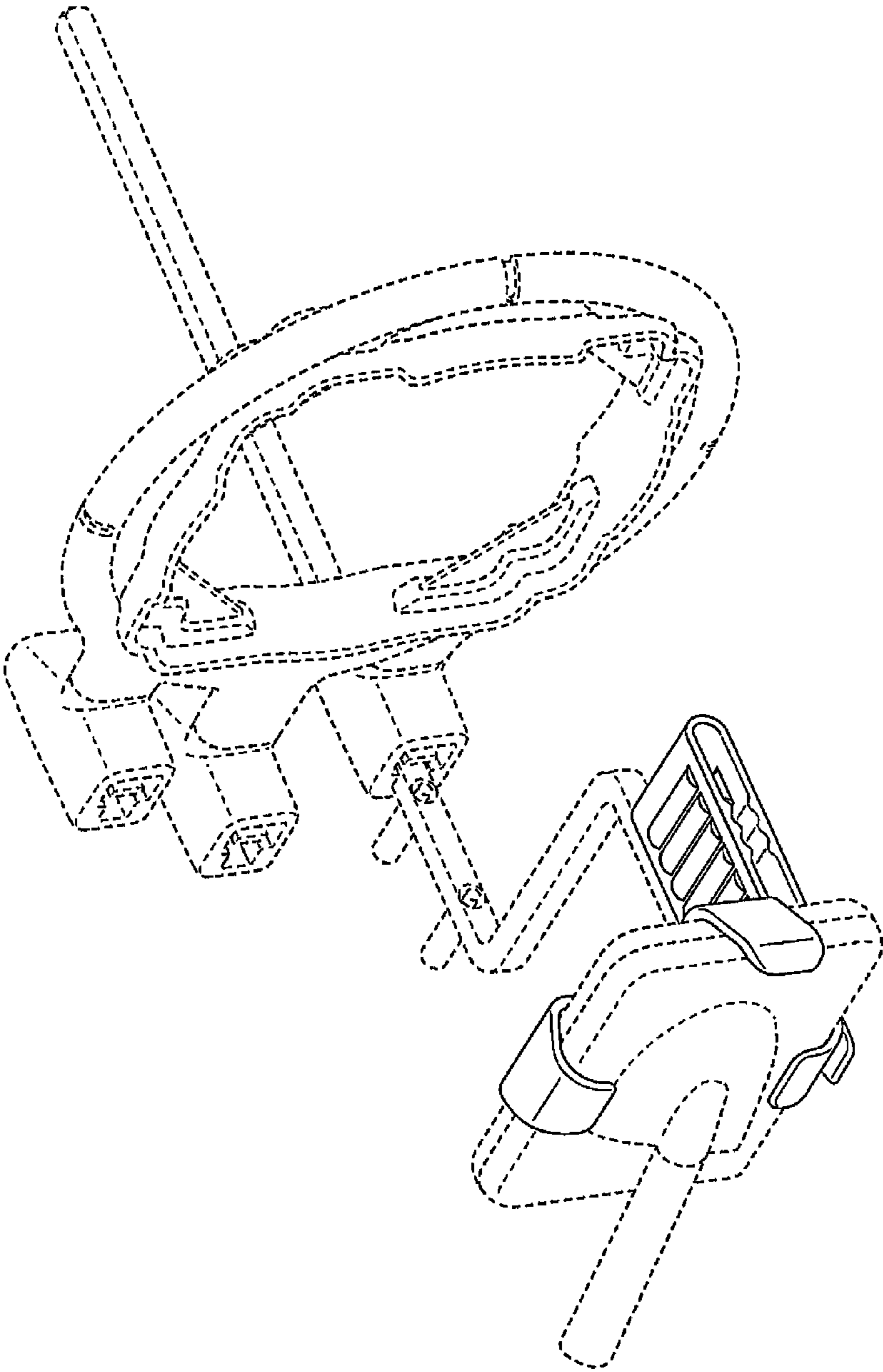


FIG. 24

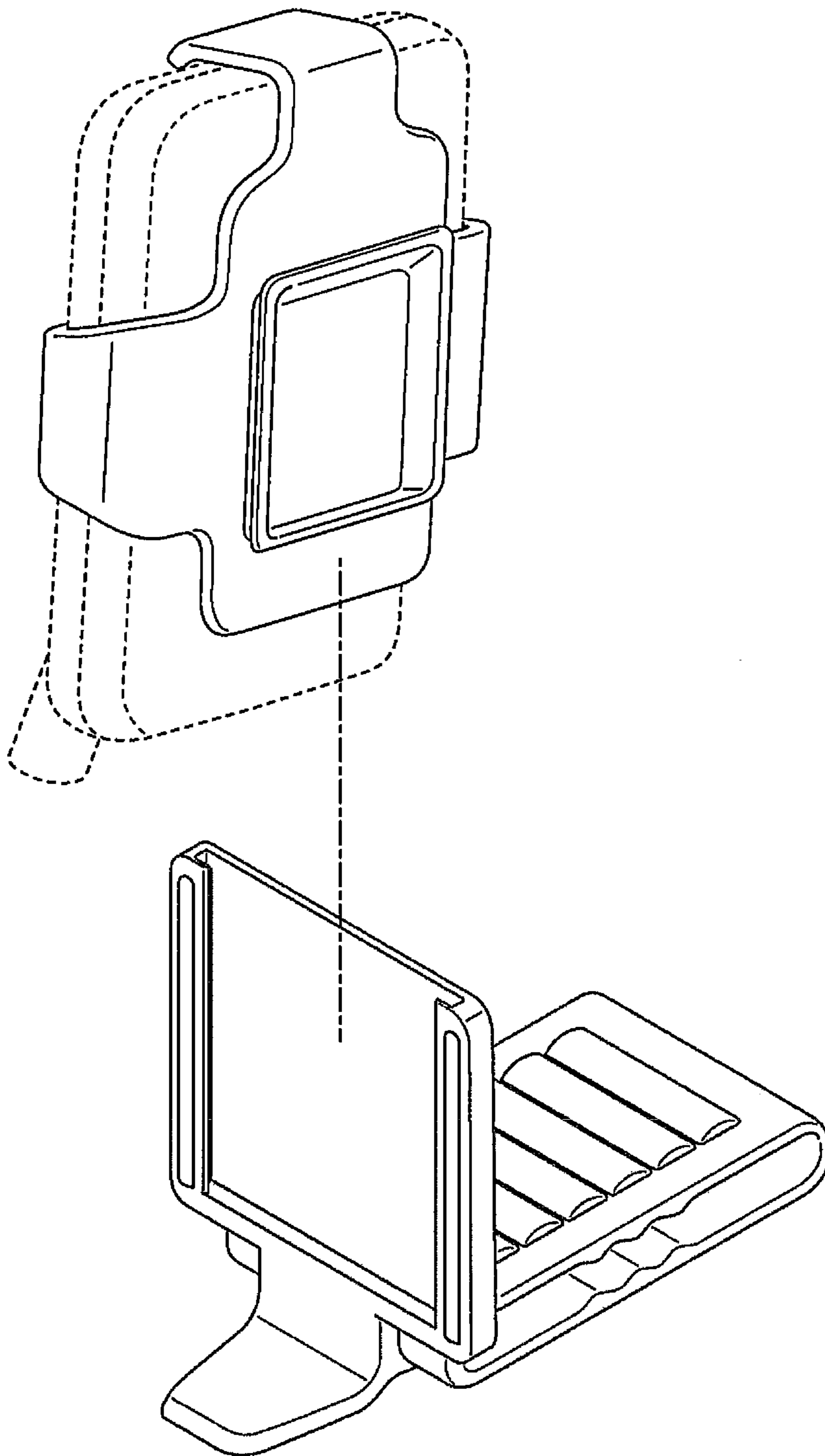


FIG. 25