



US00D711539S

(12) **United States Design Patent**
Hunt et al.

(10) **Patent No.:** **US D711,539 S**

(45) **Date of Patent:** **** Aug. 19, 2014**

(54) **TROLLEY FOR MEDICAL DIAGNOSTIC IMAGING SYSTEM**

(71) Applicant: **Koninklijke Philips N.V.**, Eindhoven (NL)

(72) Inventors: **Thomas James Hunt**, Pelham, NH (US); **Alex Wee Kar Tan**, Medford, MA (US); **Daniel Van Alphen**, Cambridge, MA (US); **Ryan Bowman**, Medford, MA (US); **Mark Anthony Messina**, Hooksett, NH (US); **David Dolan**, Londonderry, NH (US); **Matthew Schaepe**, Portsmouth, NH (US)

(73) Assignee: **Koninklijke Philips N.V.**, Eindhoven (NL)

(**) Term: **14 Years**

(21) Appl. No.: **29/476,643**

(22) Filed: **Dec. 16, 2013**

(30) **Foreign Application Priority Data**

Jun. 26, 2013 (EM) 002263293-0001

(51) **LOC (10) Cl.** **24-01**

(52) **U.S. Cl.**
USPC **D24/158**; D24/160

(58) **Field of Classification Search**
USPC D24/158-161, 185, 186; 606/32-34; 600/437, 443; 248/282.1

See application file for complete search history.

(56) **References Cited**

U.S. PATENT DOCUMENTS

D560,807	S	*	1/2008	Kitayama et al.	D24/158
D571,011	S	*	6/2008	Otoha et al.	D24/158
D630,752	S	*	1/2011	Suzuki	D24/158
D650,482	S	*	12/2011	Kim et al.	D24/158
D662,208	S	*	6/2012	Otoha et al.	D24/185
D687,151	S	*	7/2013	Yokoyama et al.	D24/186
2008/0132789	A1	*	6/2008	Malchow et al.	600/443
2008/0161688	A1	*	7/2008	Poland	600/437
2011/0201927	A1	*	8/2011	Hayakawa et al.	600/437
2013/0030292	A1	*	1/2013	Nakajima	600/437
2013/0165790	A1	*	6/2013	Kim	600/443

* cited by examiner

Primary Examiner — Anhdao Doan

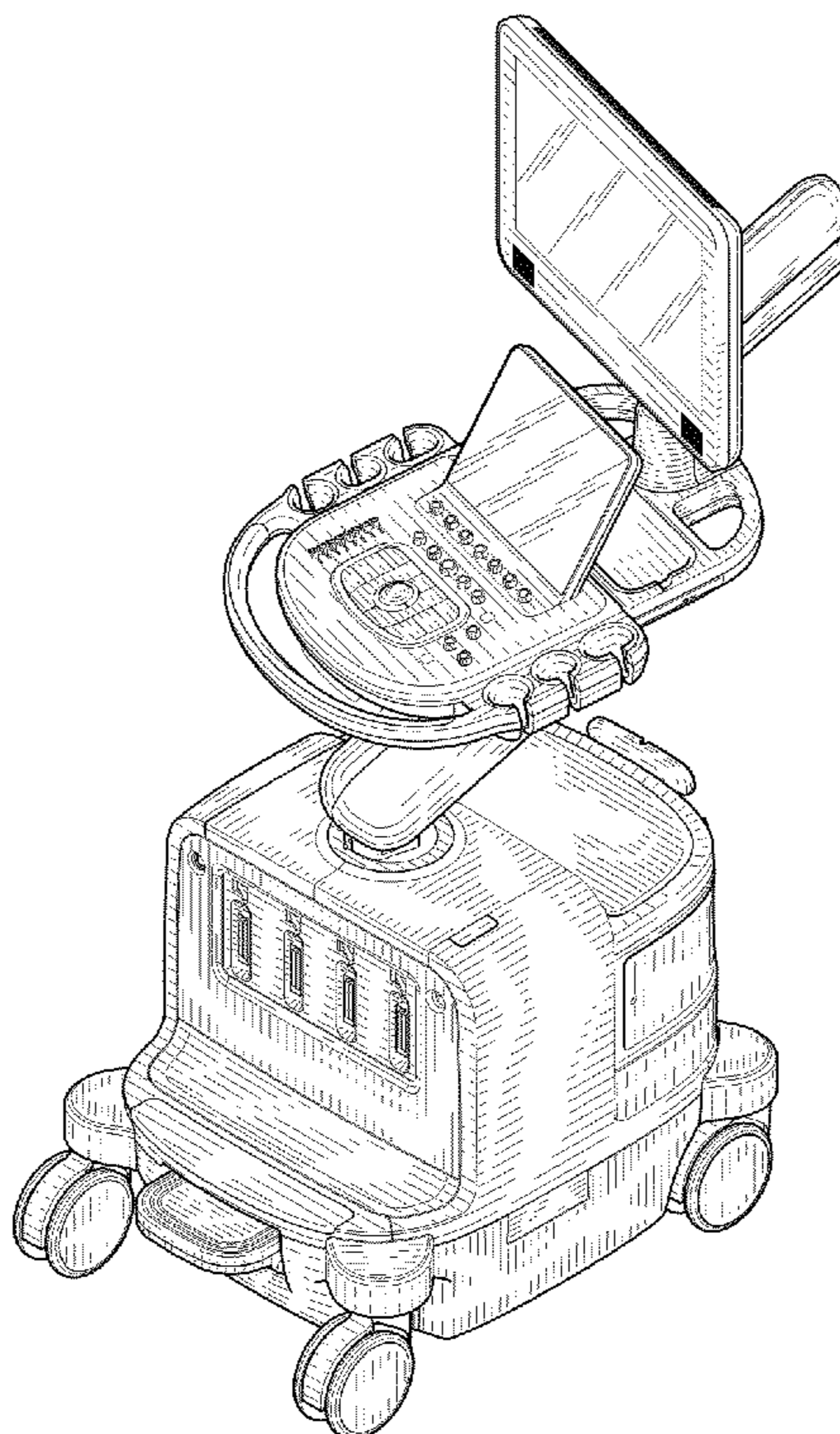
(57) **CLAIM**

The ornamental design for a trolley for medical diagnostic imaging system, as shown.

DESCRIPTION

FIG. 1 is a perspective view showing our design; FIG. 2 is a front elevational view thereof; FIG. 3 is a rear elevational view thereof; FIG. 4 is a right side elevational view thereof; FIG. 5 is a left side elevational view thereof; FIG. 6 is a top plan view thereof; and, FIG. 7 is a bottom plan view thereof.

1 Claim, 5 Drawing Sheets



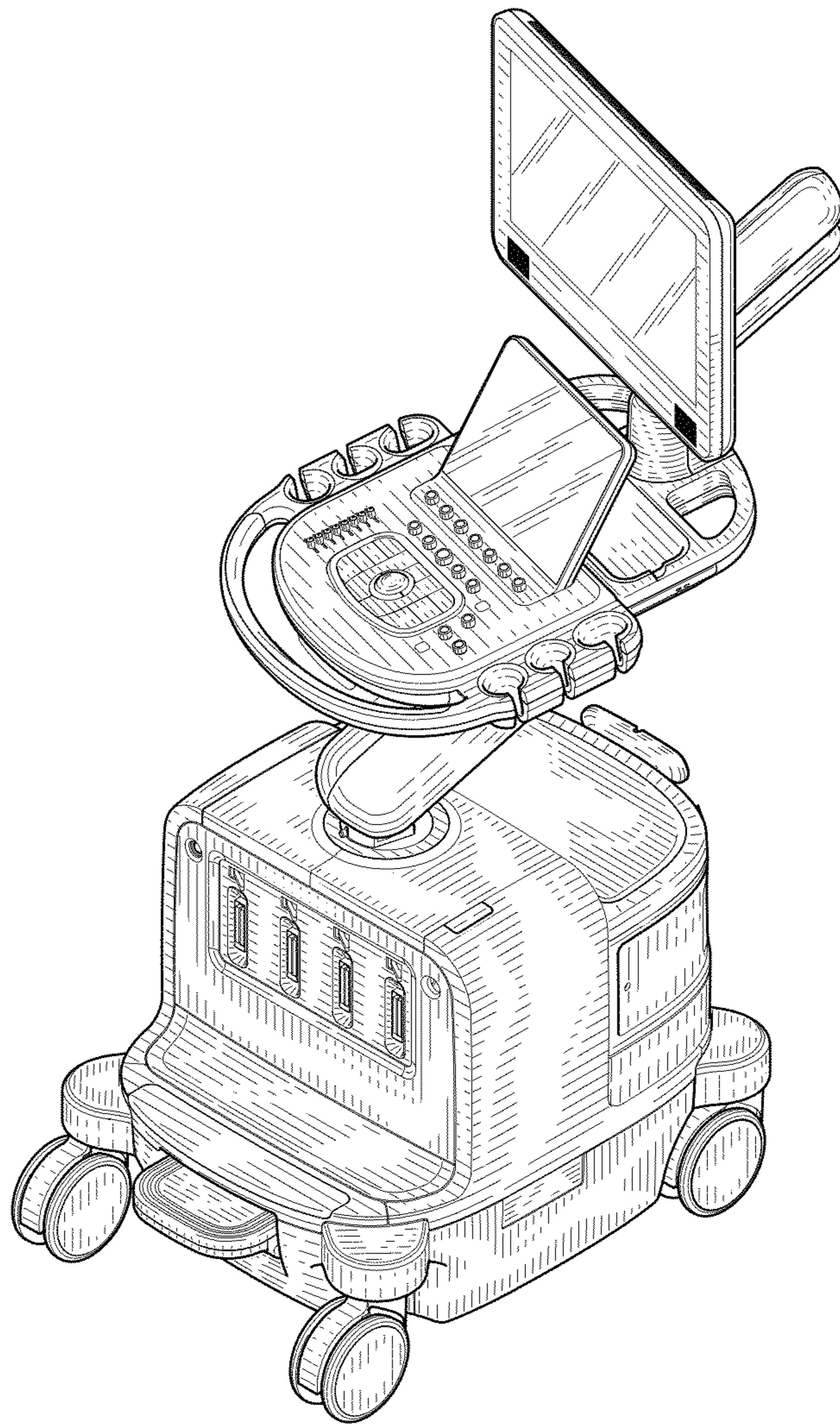


FIG. 1

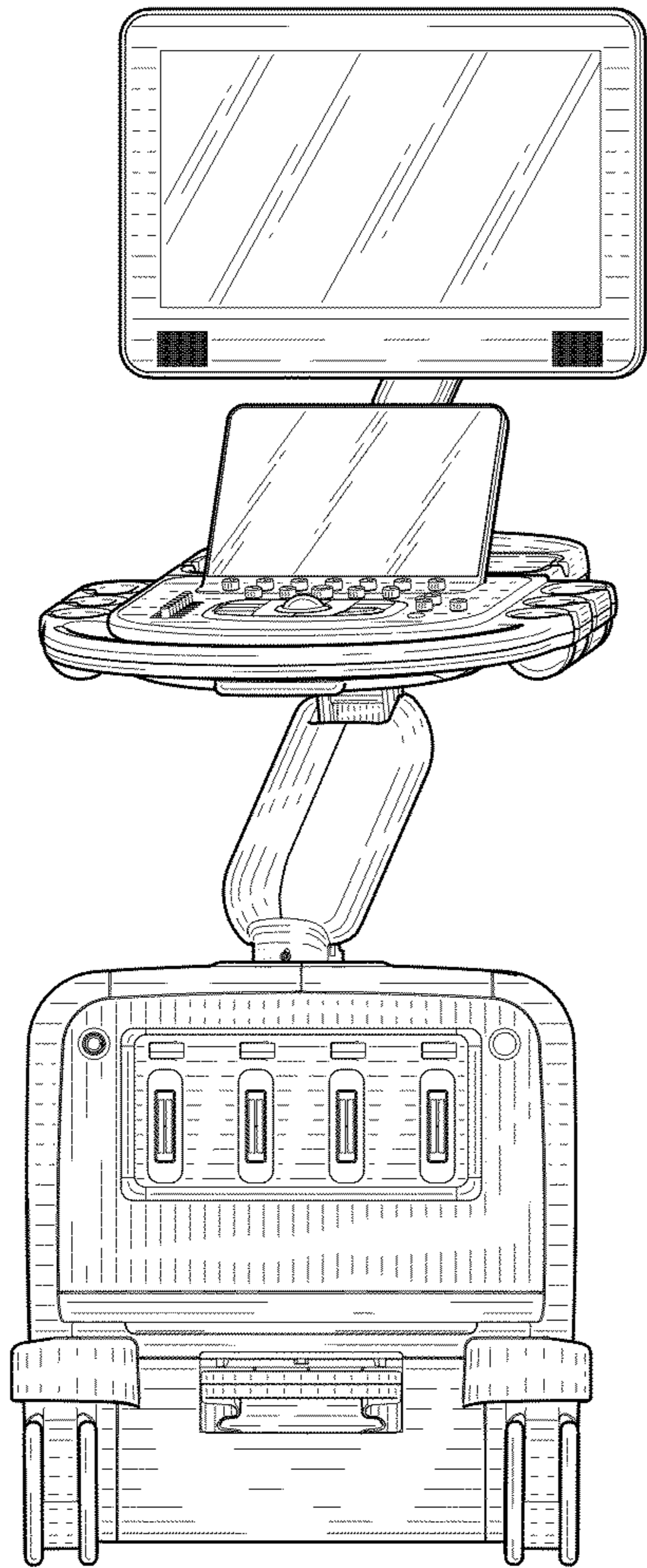


FIG. 2

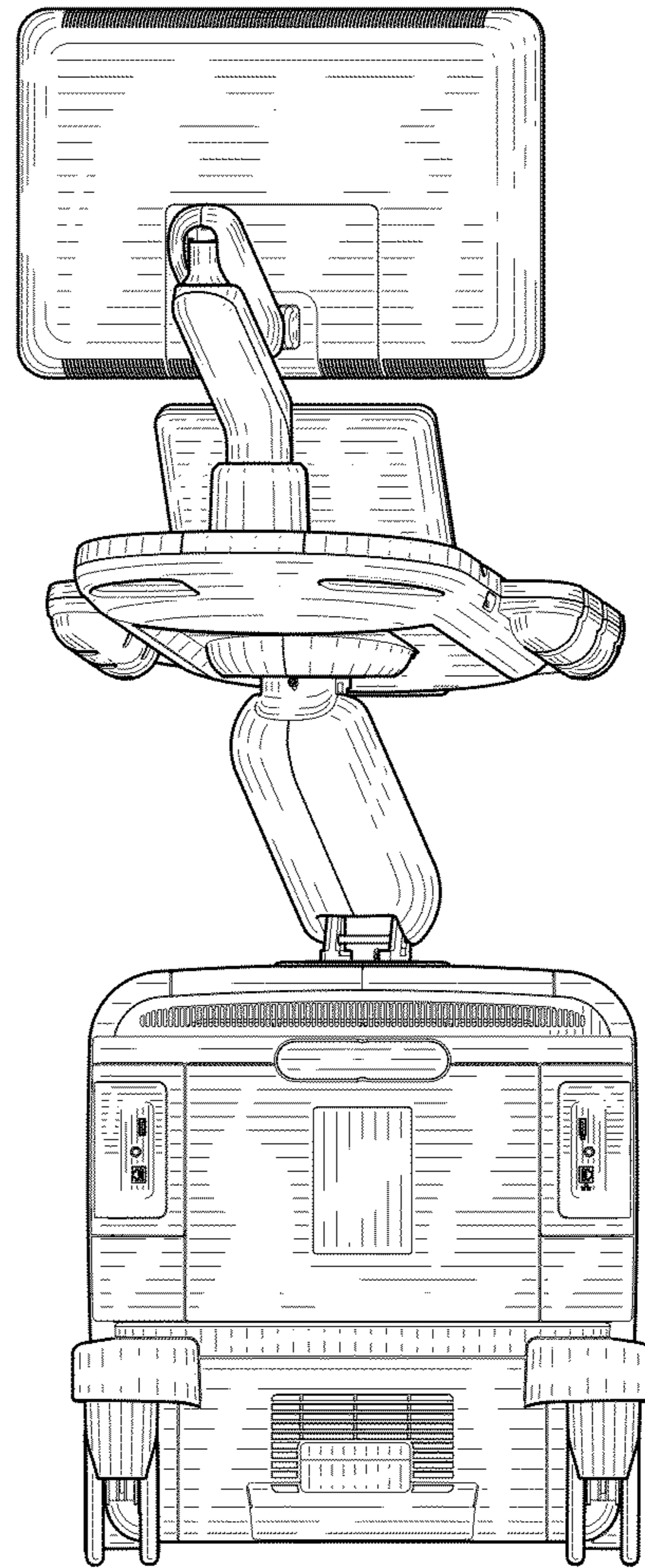


FIG. 3

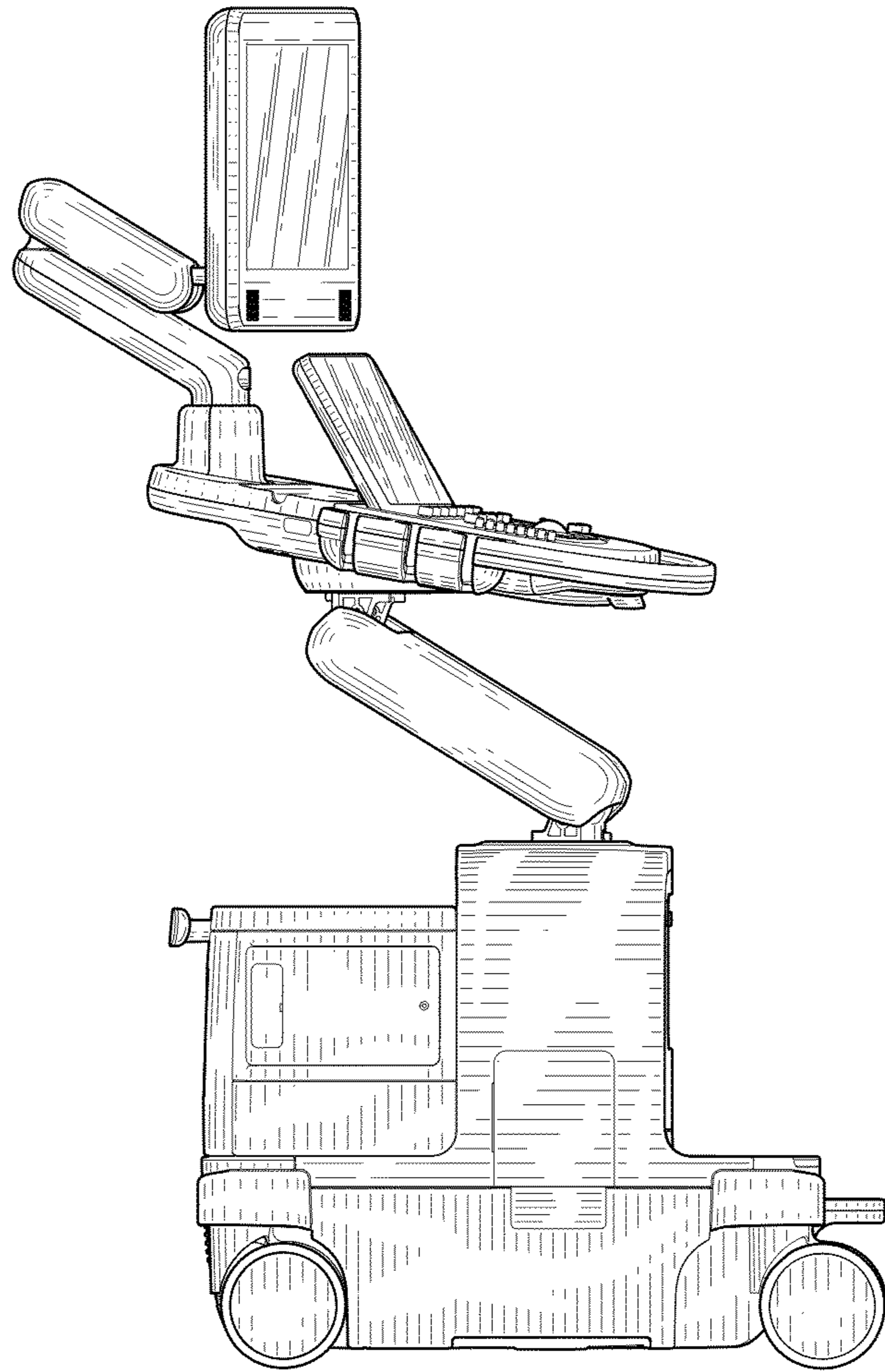


FIG. 4

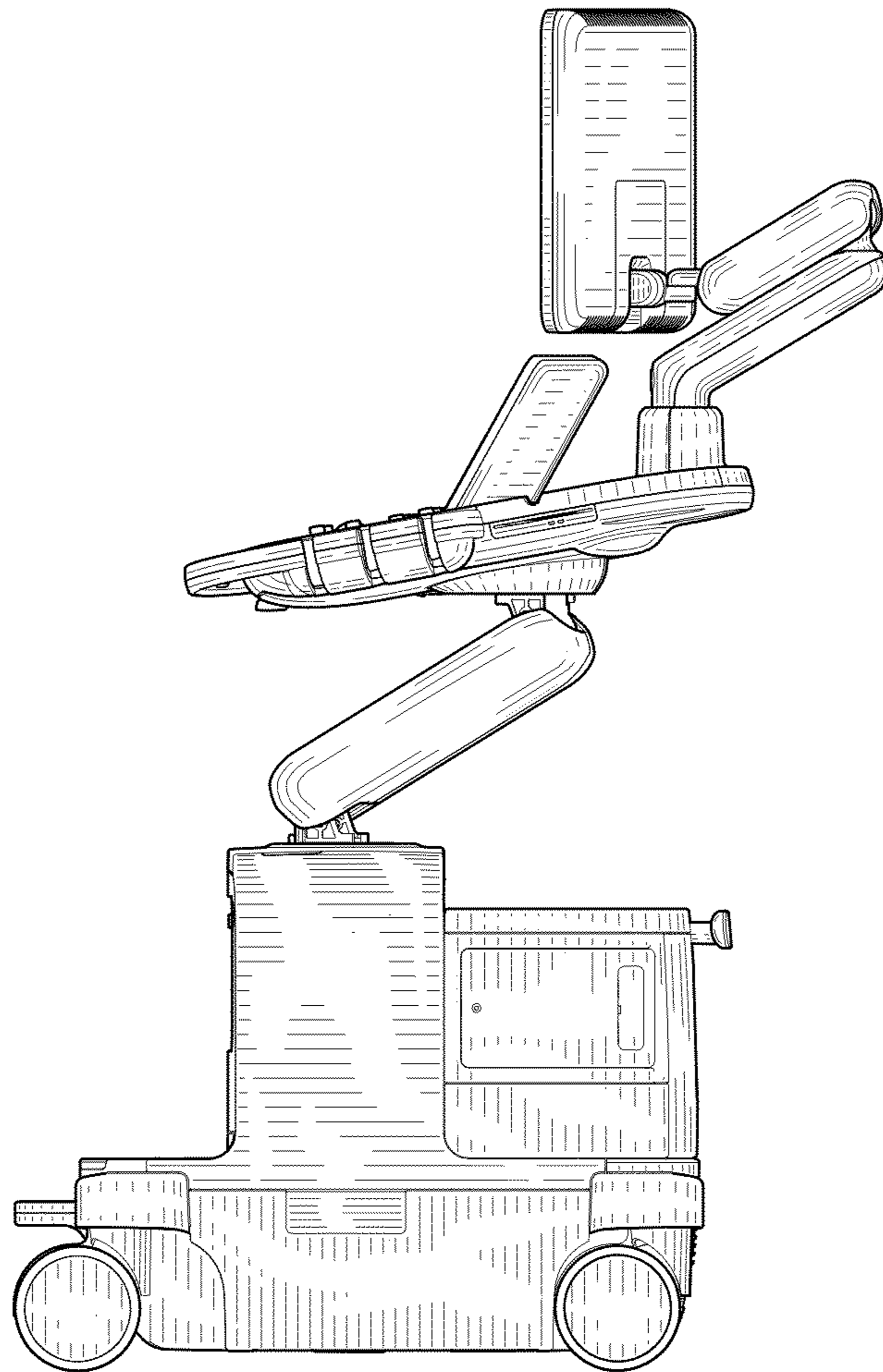


FIG. 5

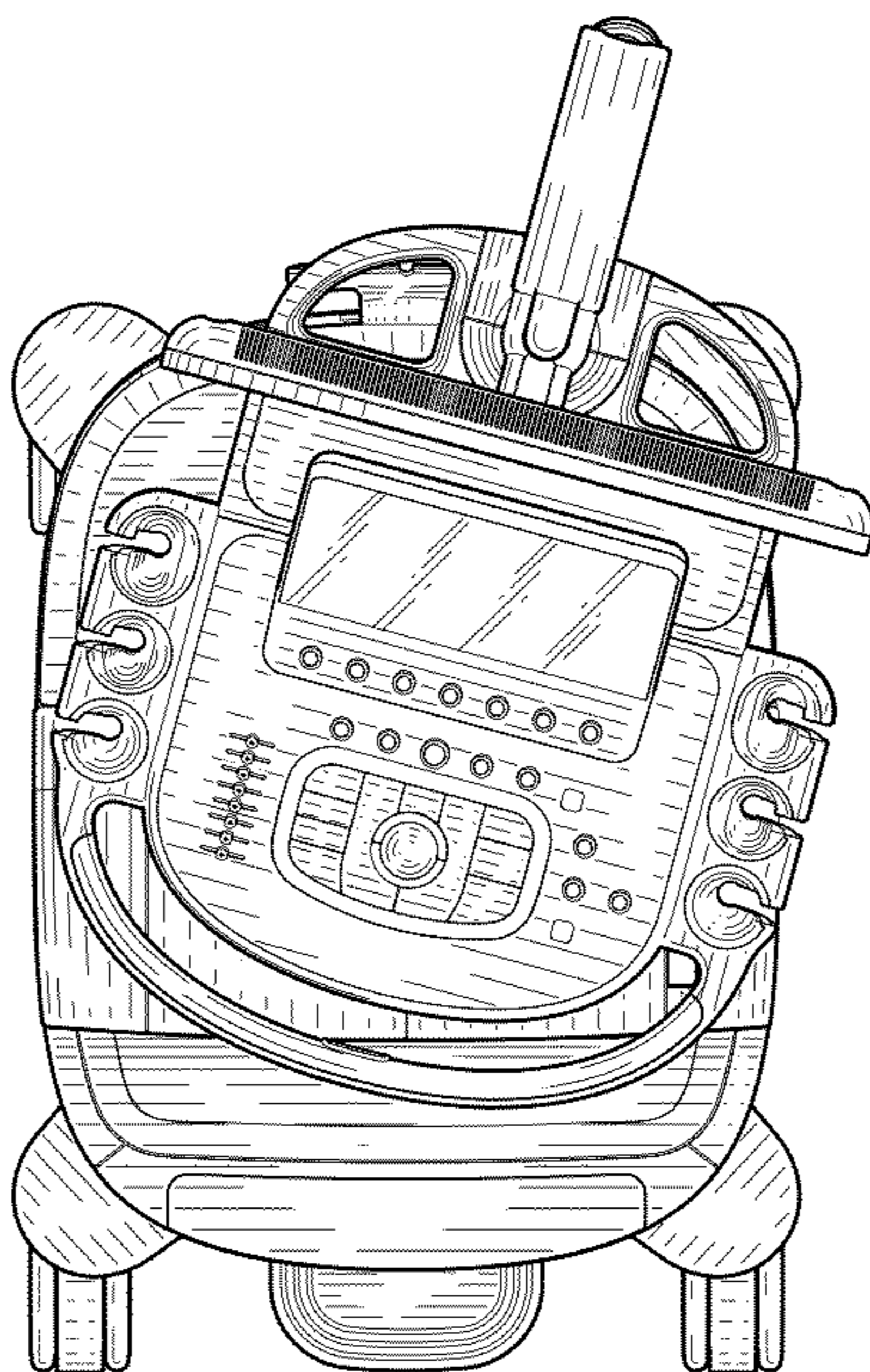


FIG. 6

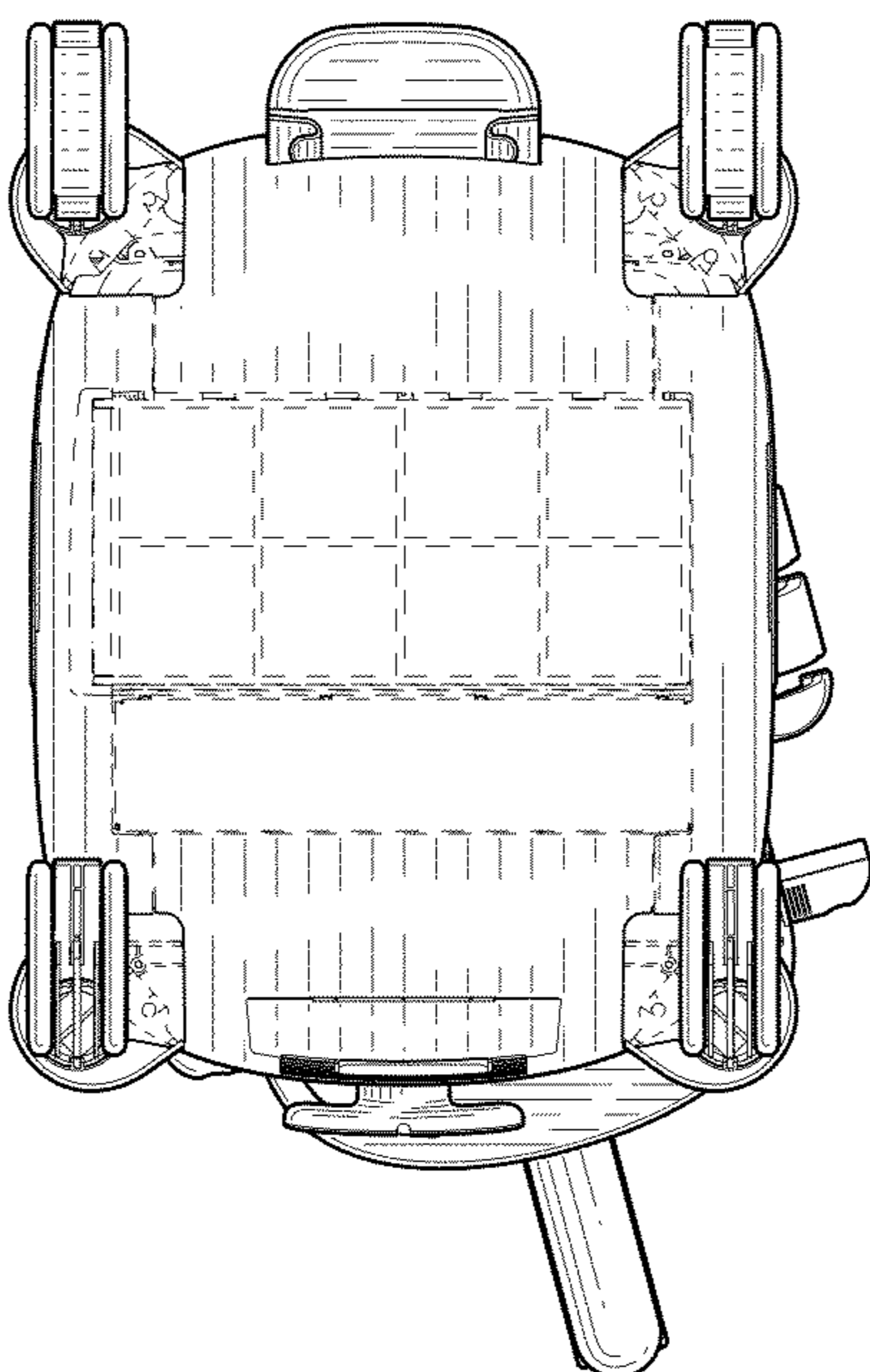


FIG. 7