



US00D711538S

(12) **United States Design Patent**
Youngquist et al.

(10) **Patent No.:** **US D711,538 S**

(45) **Date of Patent:** **** Aug. 19, 2014**

(54) **DERMATOLOGICAL TREATMENT SYSTEM**

(75) Inventors: **David Youngquist**, San Jose, CA (US);
John Philip Stoddard, Boulder Creek,
CA (US); **Jay M. Vahlensieck**,
Livermore, CA (US); **Juan-Lorenzo G.**
Rubi, Walnut Creek, CA (US); **Harvey**
I-Heng Liu, Fremont, CA (US); **Tobin**
Island, Oakland, CA (US)

(73) Assignee: **Tria Beauty, Inc.**, Pleasanton, CA (US)

(**) Term: **14 Years**

(21) Appl. No.: **29/427,126**

(22) Filed: **Jul. 13, 2012**

(51) **LOC (10) Cl.** **24-01**

(52) **U.S. Cl.**
USPC **D24/158**

(58) **Field of Classification Search**
USPC D24/158-161, 185, 186, 209, 214;
606/2-4; 607/9, 16, 88, 89
See application file for complete search history.

(56) **References Cited**

U.S. PATENT DOCUMENTS

D347,283 S * 5/1994 Von Winckler D24/214
D394,316 S * 5/1998 Kodama et al. D24/158
D548,837 S * 8/2007 Oikawa D24/158
D594,130 S * 6/2009 Scocimara et al. D24/209

D614,771 S * 4/2010 Stead D24/158
D621,950 S * 8/2010 Seki et al. D24/209
D659,845 S * 5/2012 Lytle D24/209
D687,156 S * 7/2013 Yamamoto et al. D24/209
2006/0030908 A1* 2/2006 Powell et al. 607/88
2007/0156124 A1* 7/2007 Ignon et al. 606/9
2010/0069898 A1* 3/2010 O'Neil et al. 606/9
2012/0165800 A1* 6/2012 Keeney et al. 606/9
2012/0232536 A1* 9/2012 Liu et al. 606/9

* cited by examiner

Primary Examiner — Anhdao Doan

(74) *Attorney, Agent, or Firm* — King & Spalding L.L.P.

(57) **CLAIM**

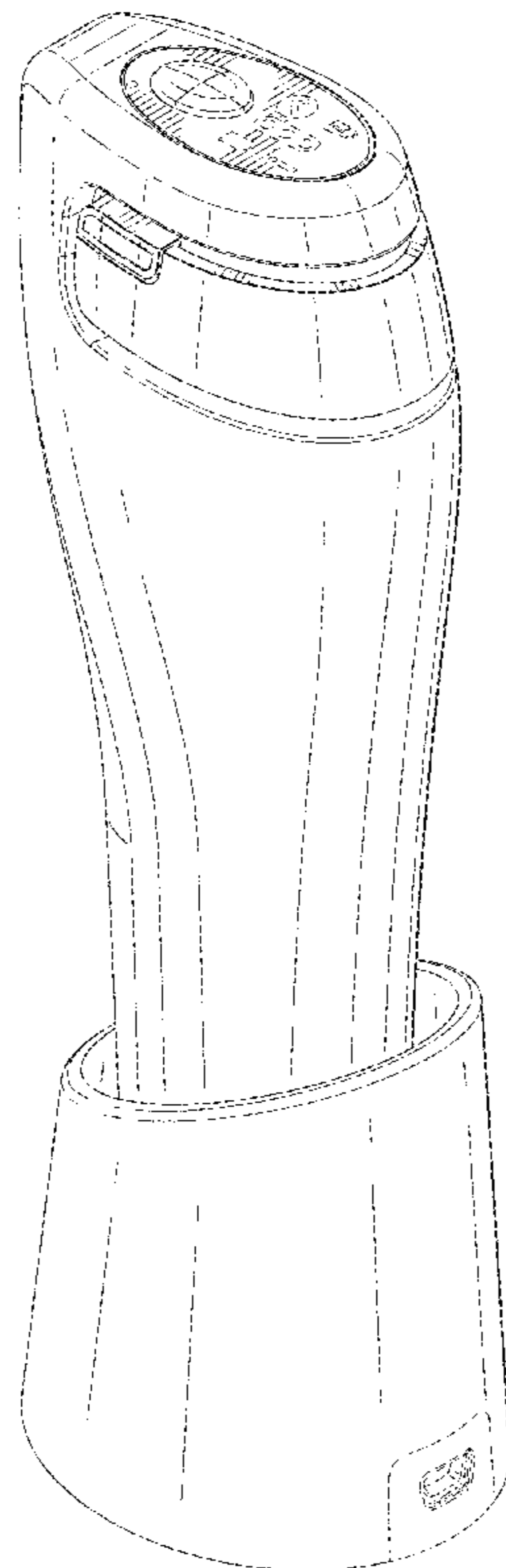
The ornamental design for a dermatological treatment system, as shown and described.

DESCRIPTION

FIG. 1 is a perspective view of a dermatological treatment system and base combination showing our new design; FIG. 2 is a rear elevational view thereof; FIG. 3 is a front elevational view thereof; FIG. 4 is a left side elevational view thereof; FIG. 5 is a right side elevational view thereof; FIG. 6 is a top plan view thereof; and, FIG. 7 is a bottom plan view thereof.

The broken lines in the drawing views are included for the purpose of illustrating portions of the dermatological treatment device and base combination that form no part of the claimed design.

1 Claim, 5 Drawing Sheets



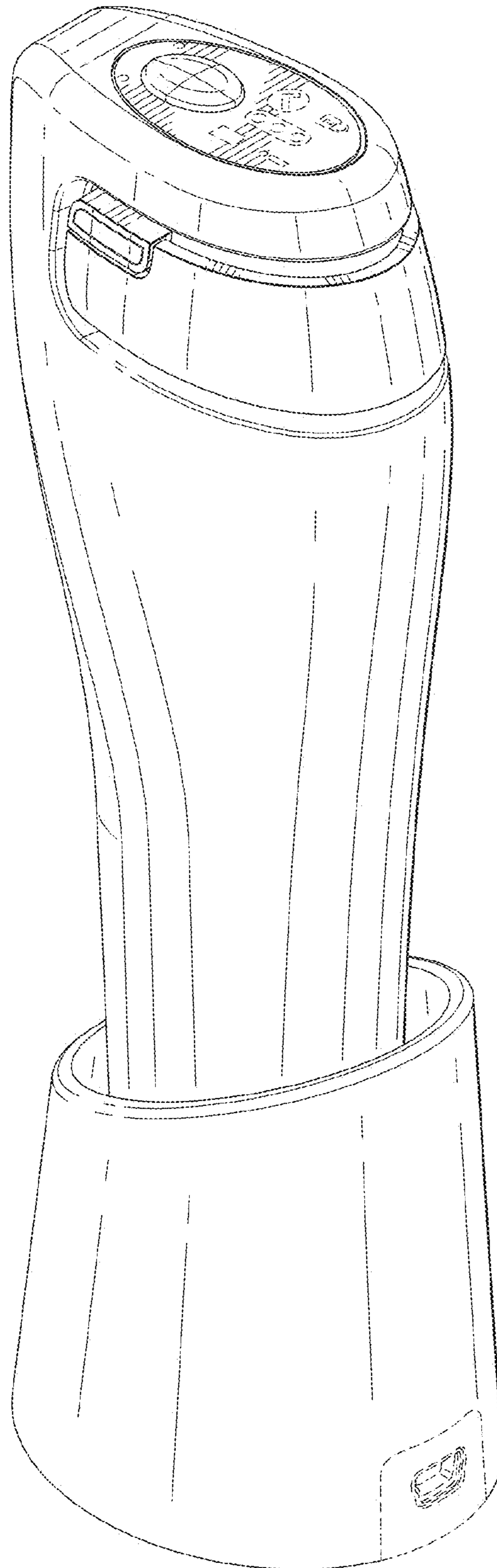


FIG. 1

FIG. 2

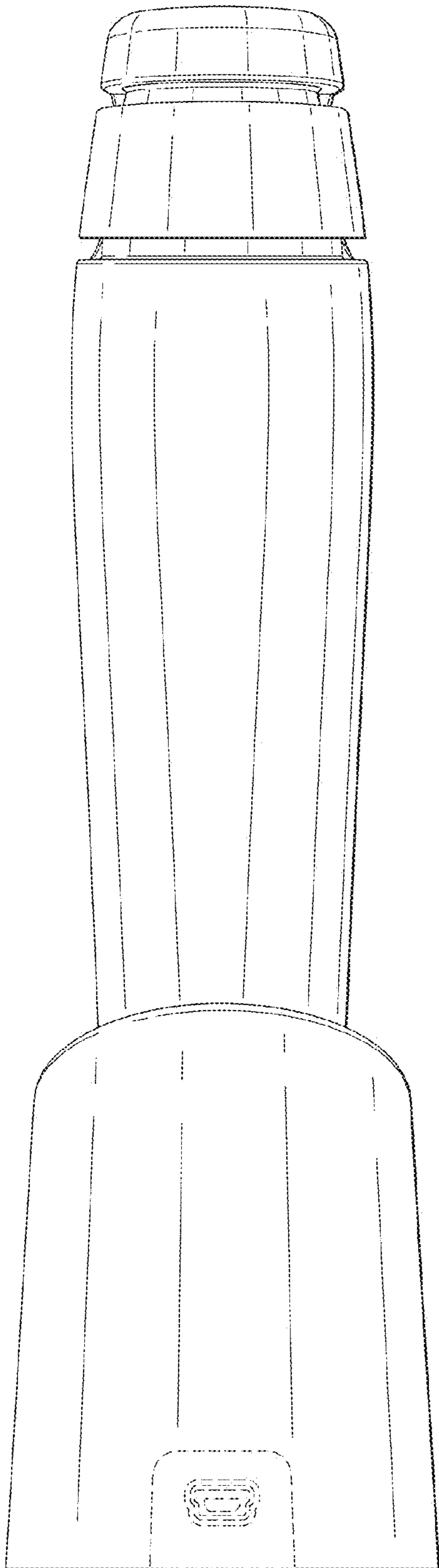


FIG. 3

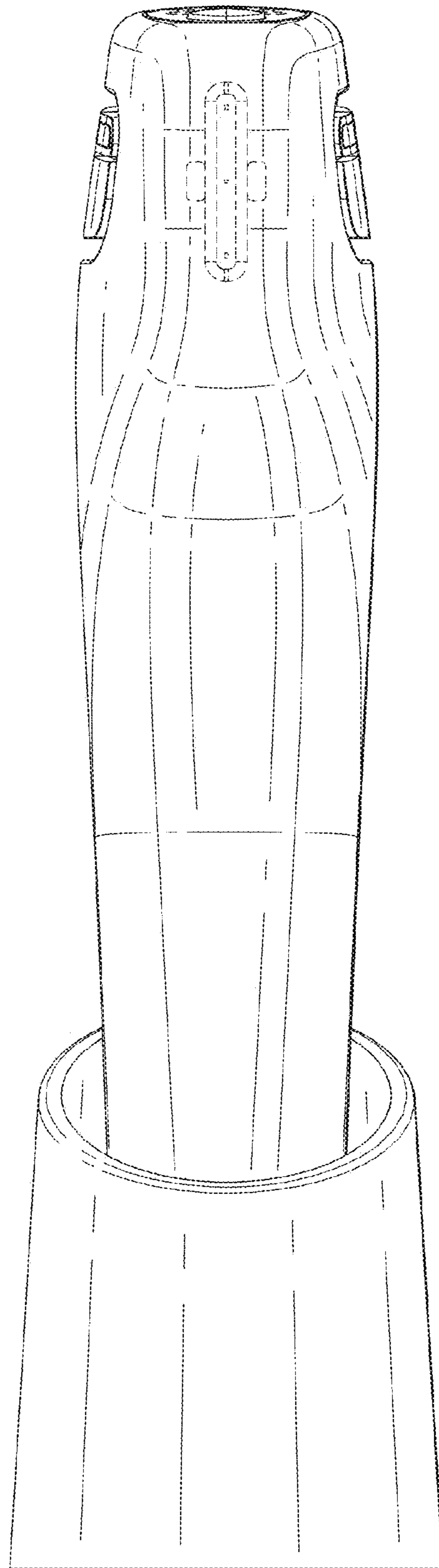
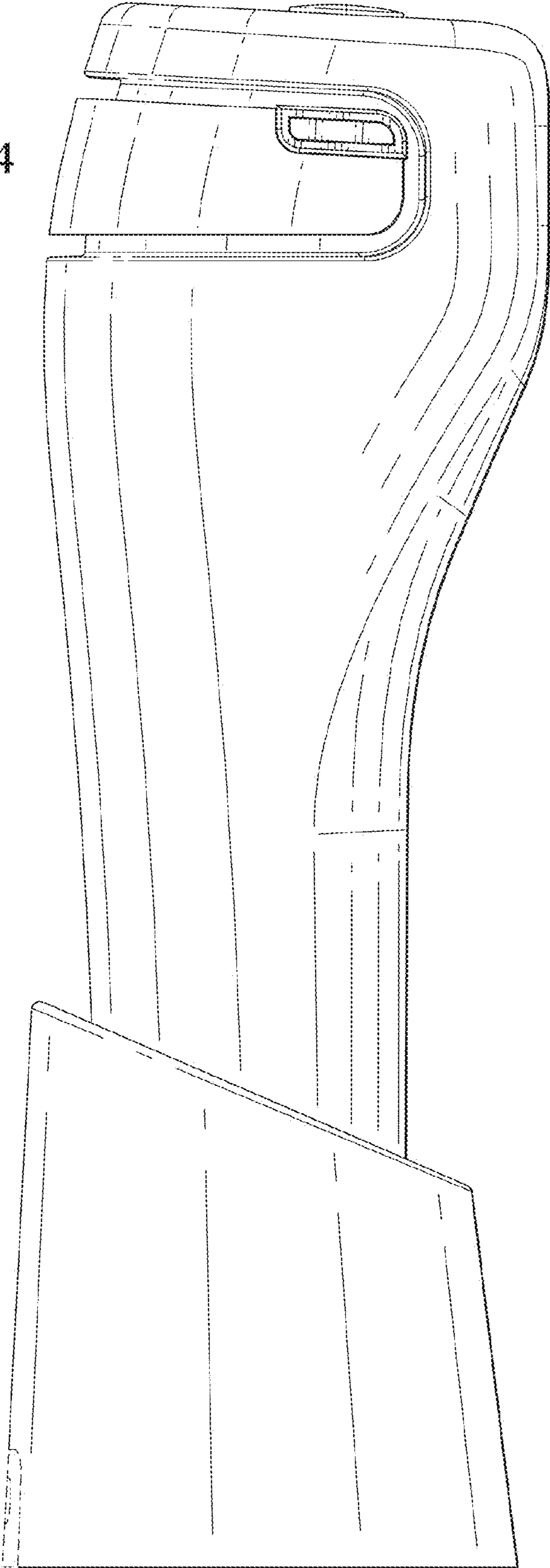


FIG. 4



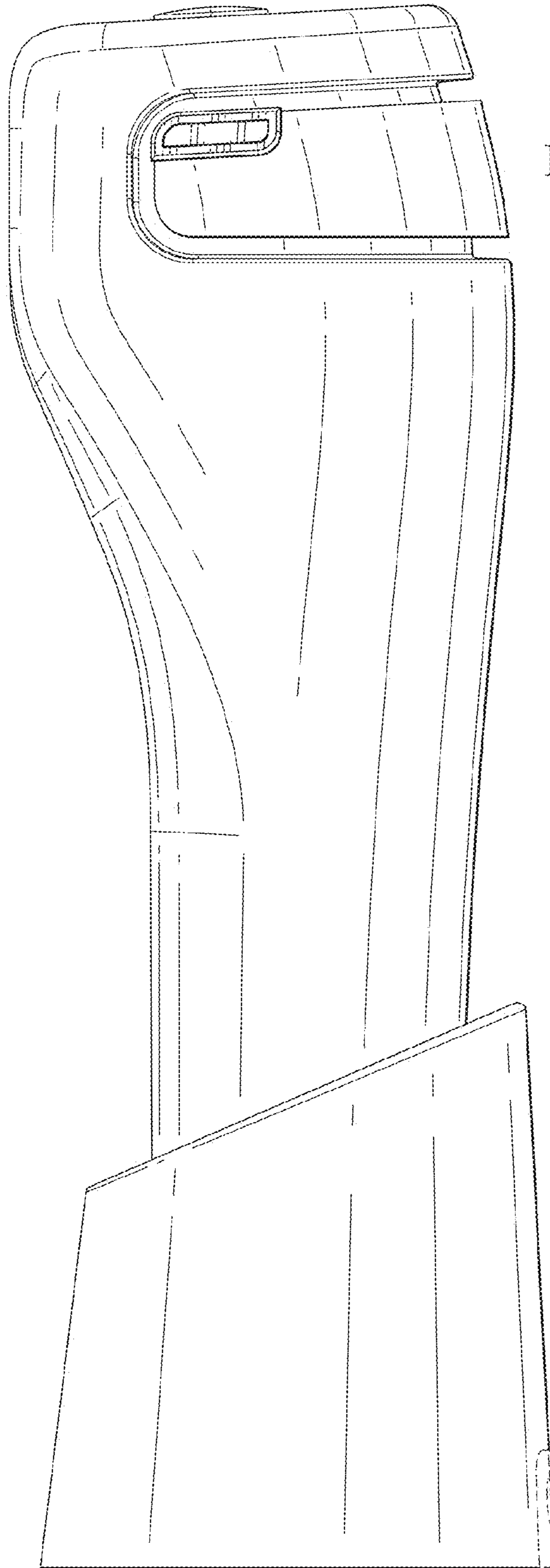


FIG. 5

FIG. 6

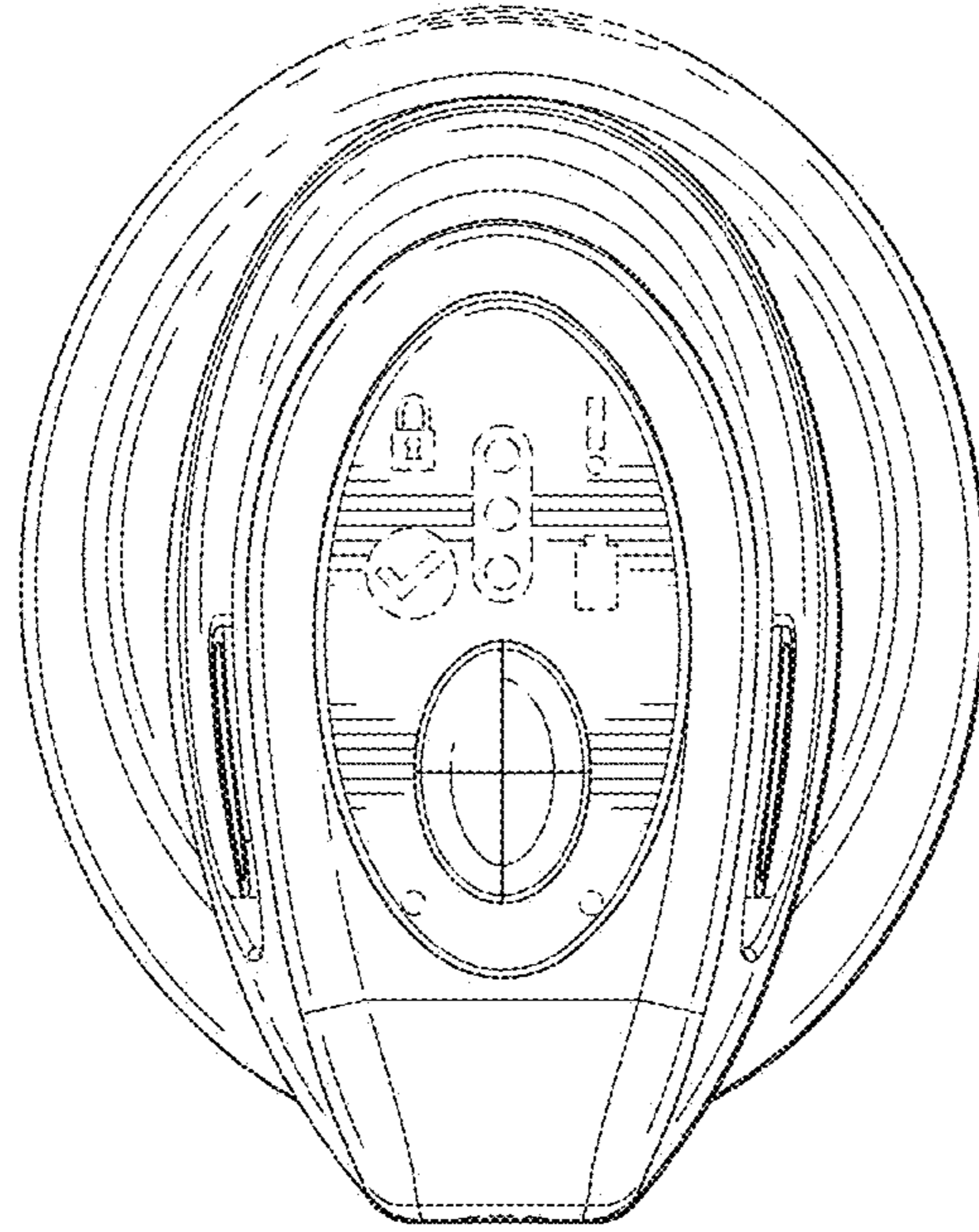


FIG. 7

