



US00D711537S

(12) **United States Design Patent**  
**Pimenta et al.**

(10) **Patent No.:** **US D711,537 S**

(45) **Date of Patent:** **\*\* \*Aug. 19, 2014**

(54) **INTERVERTEBRAL IMPLANT**

(75) Inventors: **Luiz Pimenta**, Sao Paulo (BR); **Lukas Eisermann**, San Diego, CA (US)

(73) Assignee: **NuVasive, Inc.**, San Diego, CA (US)

(\*) Notice: This patent is subject to a terminal disclaimer.

(\*\*) Term: **14 Years**

(21) Appl. No.: **29/427,492**

(22) Filed: **Jul. 18, 2012**

6,692,501	B2	2/2004	Michelson	
6,902,568	B2	6/2005	Serhan	
7,226,480	B2 *	6/2007	Thalgott	623/17.11
7,238,203	B2 *	7/2007	Bagga et al.	623/17.11
D580,551	S *	11/2008	Cohen	D24/155
7,491,237	B2 *	2/2009	Randall et al.	623/17.11
7,637,950	B2 *	12/2009	Bacelli et al.	623/17.11
D619,255	S *	7/2010	Richter et al.	D24/155
D620,111	S *	7/2010	Courtney et al.	D24/155
D623,747	S *	9/2010	Horton	D24/155
D623,750	S *	9/2010	Duffield et al.	D24/155
D627,466	S *	11/2010	Courtney et al.	D24/155
D653,756	S *	2/2012	Courtney et al.	D24/155
D681,204	S *	4/2013	Farris et al.	D24/155
D682,427	S *	5/2013	Farris et al.	D24/155
2002/0035400	A1	3/2002	Bryan et al.	

(Continued)

**Related U.S. Application Data**

(63) Continuation of application No. 12/578,643, filed on Oct. 14, 2009, now abandoned.

(51) **LOC (10) Cl.** ..... **24-02**

(52) **U.S. Cl.**  
USPC ..... **D24/155**

(58) **Field of Classification Search**  
USPC ..... D24/155, 133, 135; 623/17.15, 17.16, 623/17.12; 604/500; 606/61  
See application file for complete search history.

(56) **References Cited**

**U.S. PATENT DOCUMENTS**

4,349,921	A	9/1982	Kuntz
4,946,378	A	8/1990	Hirayama et al.
5,425,773	A	6/1995	Boyd et al.
5,674,294	A	10/1997	Bainville et al.
5,674,296	A	10/1997	Bryan et al.
6,083,228	A	7/2000	Michelson
6,159,214	A	12/2000	Michelson
6,425,920	B1	7/2002	Hamada
6,517,544	B1	2/2003	Michelson
6,517,580	B1	2/2003	Ramadan et al.
6,533,818	B1	3/2003	Weber et al.

**FOREIGN PATENT DOCUMENTS**

EP	0699426	A1	3/1996
EP	1166725	A2	6/1997

(Continued)

*Primary Examiner* — Ian Simmons

*Assistant Examiner* — Charles Hanson

(74) *Attorney, Agent, or Firm* — Jonathan Spangler; Jennifer Russell

(57) **CLAIM**

The ornamental design for an intervertebral implant, substantially as shown and described.

**DESCRIPTION**

FIG. 1 is a perspective view of an intervertebral implant showing our new design;

FIG. 2 is a top view thereof;

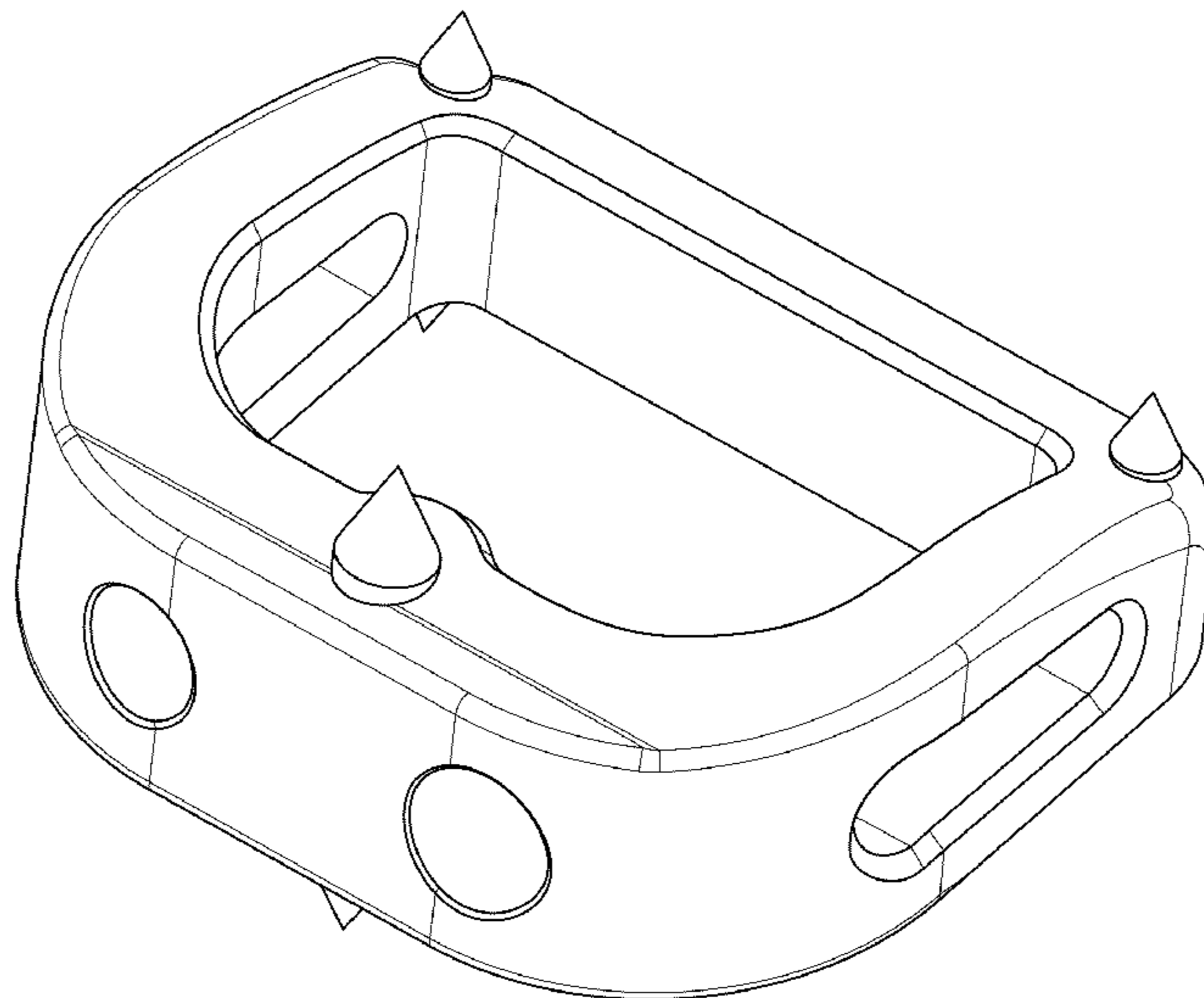
FIG. 3 is a bottom view thereof;

FIG. 4 is a first side view thereof;

FIG. 5 is a second side view thereof; and,

FIG. 6 is a front view thereof.

**1 Claim, 3 Drawing Sheets**



(56)

**References Cited**

2009/0062917 A1 3/2009 Foley et al.

U.S. PATENT DOCUMENTS

FOREIGN PATENT DOCUMENTS

2003/0028249 A1 2/2003 Baccelli et al.  
2003/0153975 A1 8/2003 Byrd et al.  
2004/0054411 A1 3/2004 Kelly et al.  
2004/0068320 A1 4/2004 Robie et al.  
2004/0122518 A1 6/2004 Rhoda  
2004/0143331 A1 7/2004 Errico et al.  
2008/0033555 A1 2/2008 Link et al.

FR 2718635 A1 10/1995  
WO WO-95/15133 A1 6/1995  
WO WO-02/11650 A2 8/2001  
WO WO-03/063727 A2 11/2002

\* cited by examiner

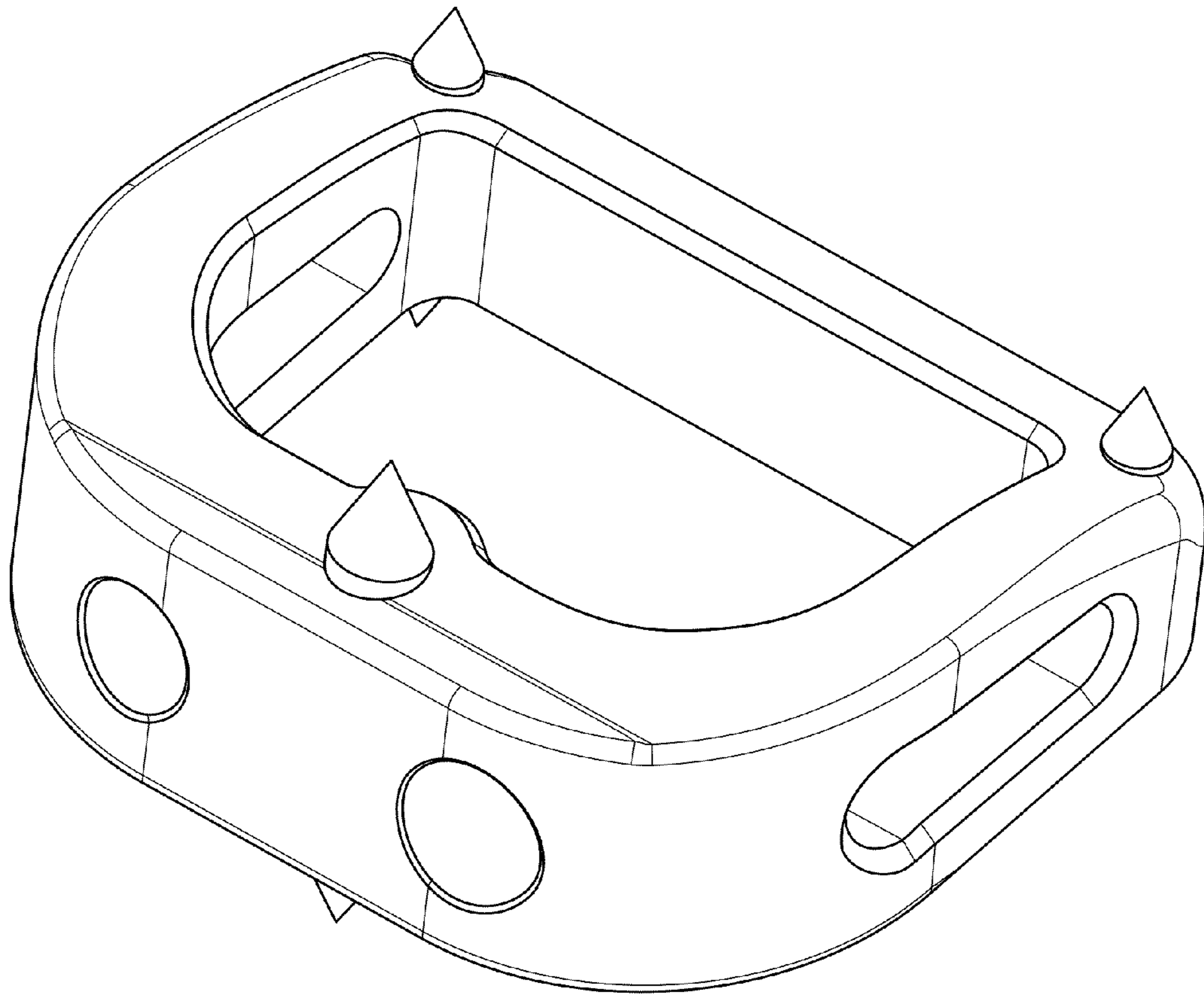


FIG. 1

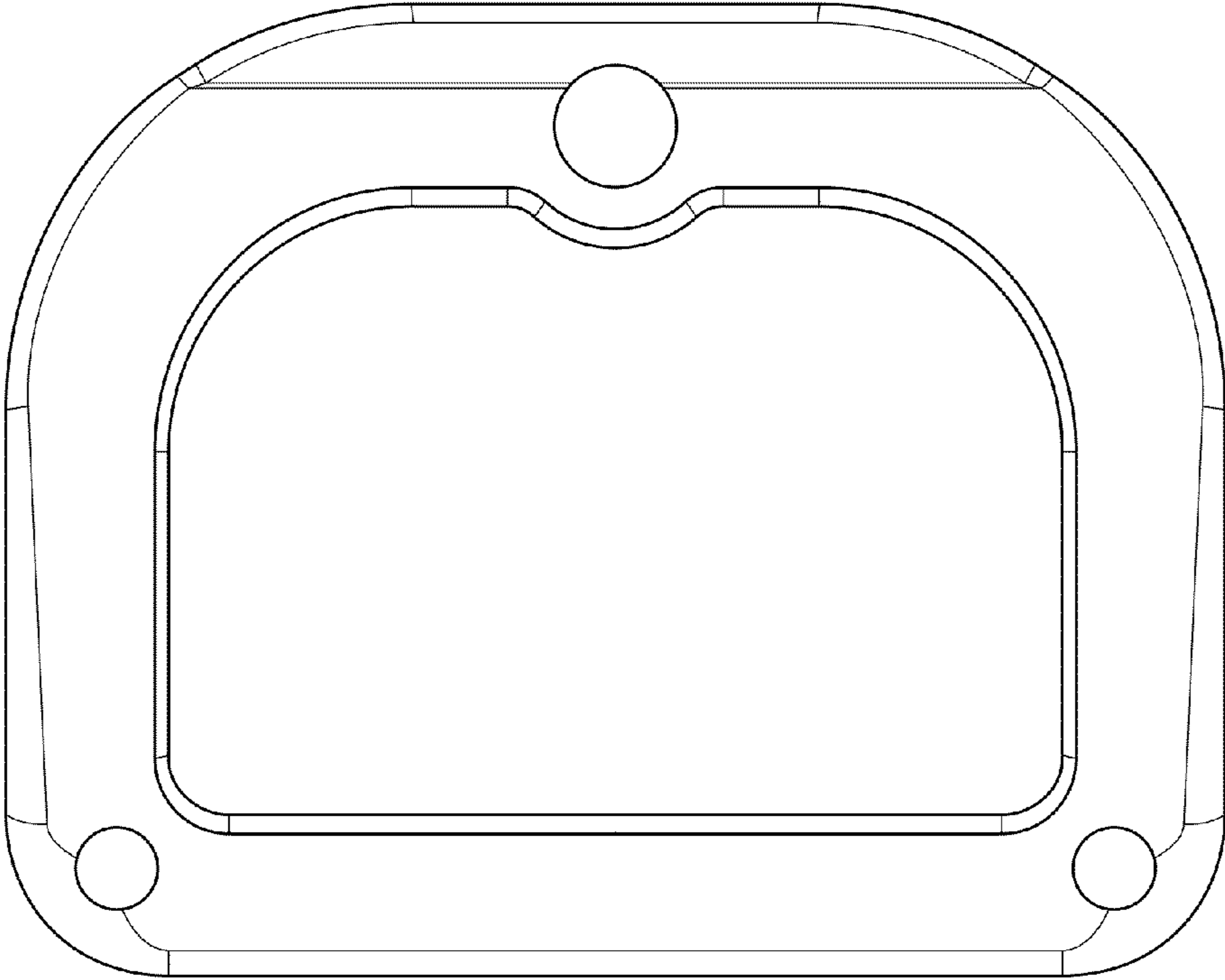


FIG. 2

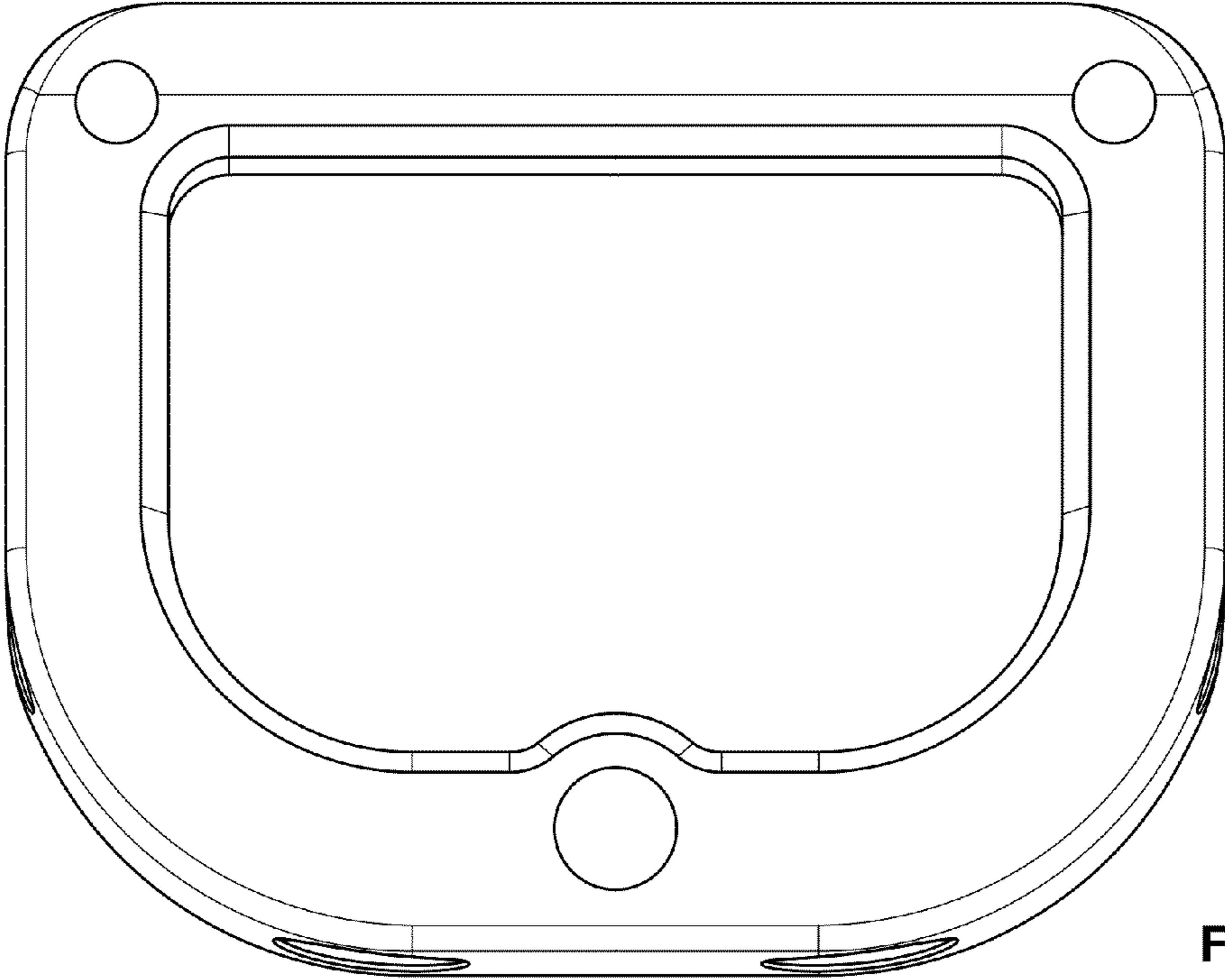


FIG. 3

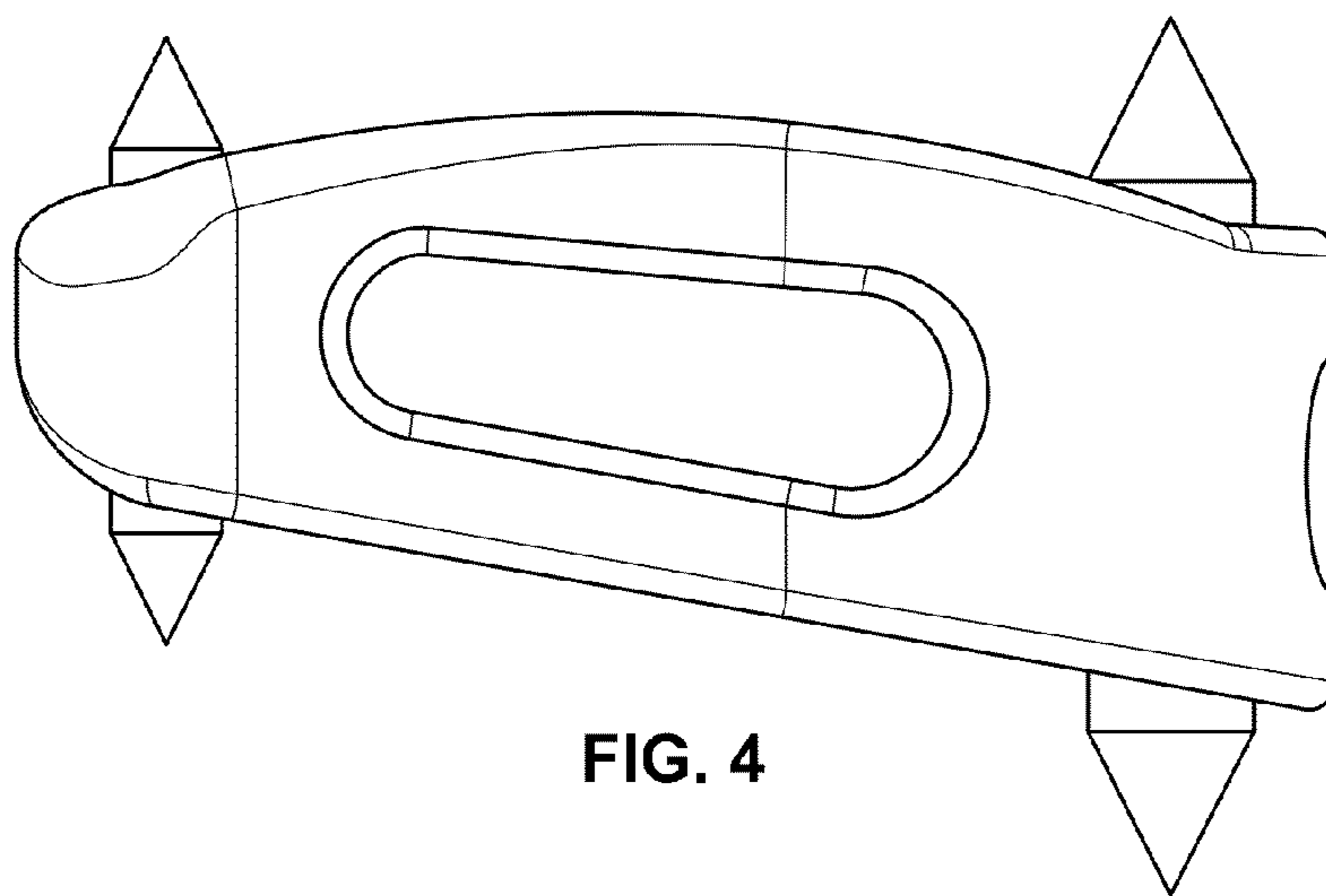


FIG. 4

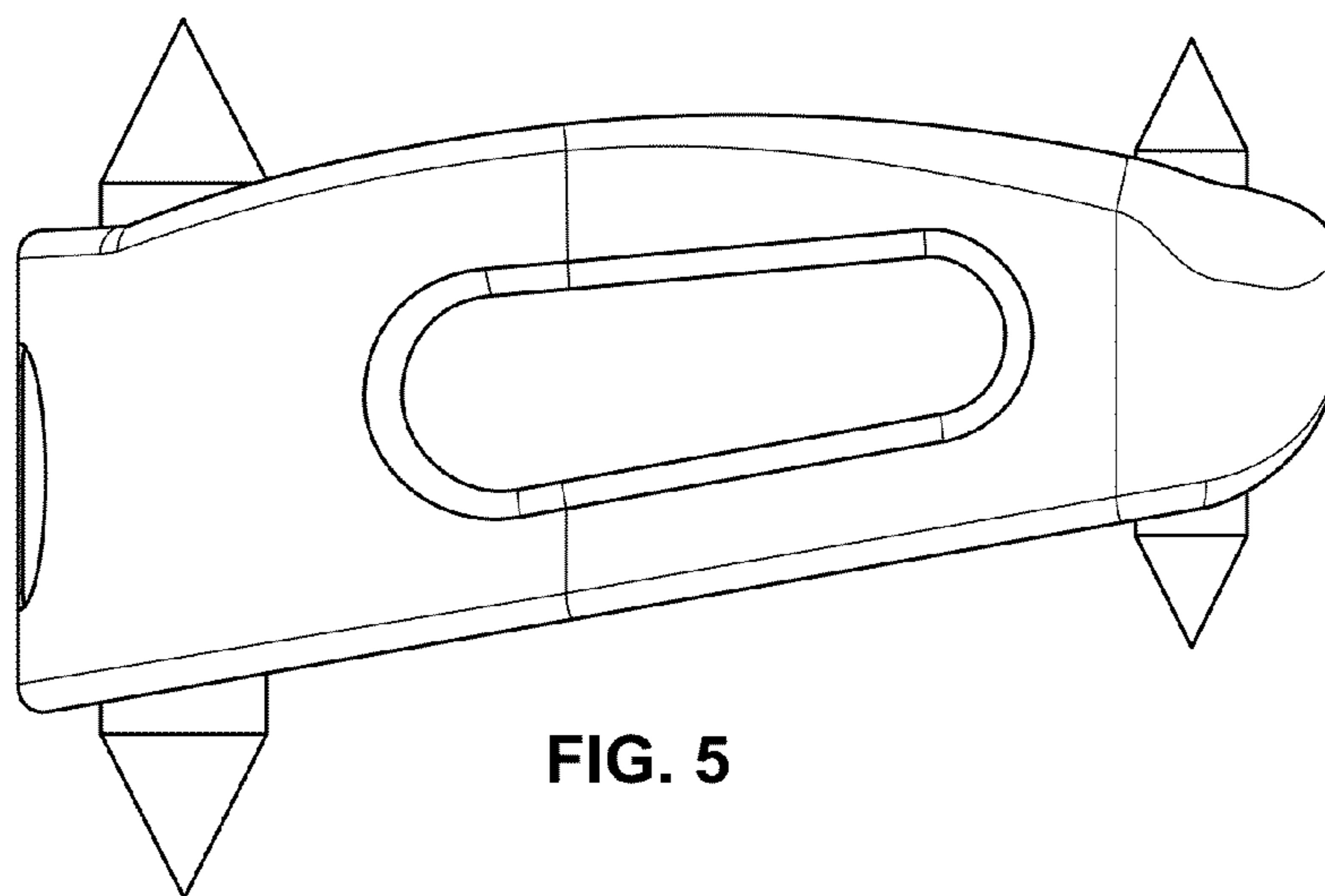


FIG. 5

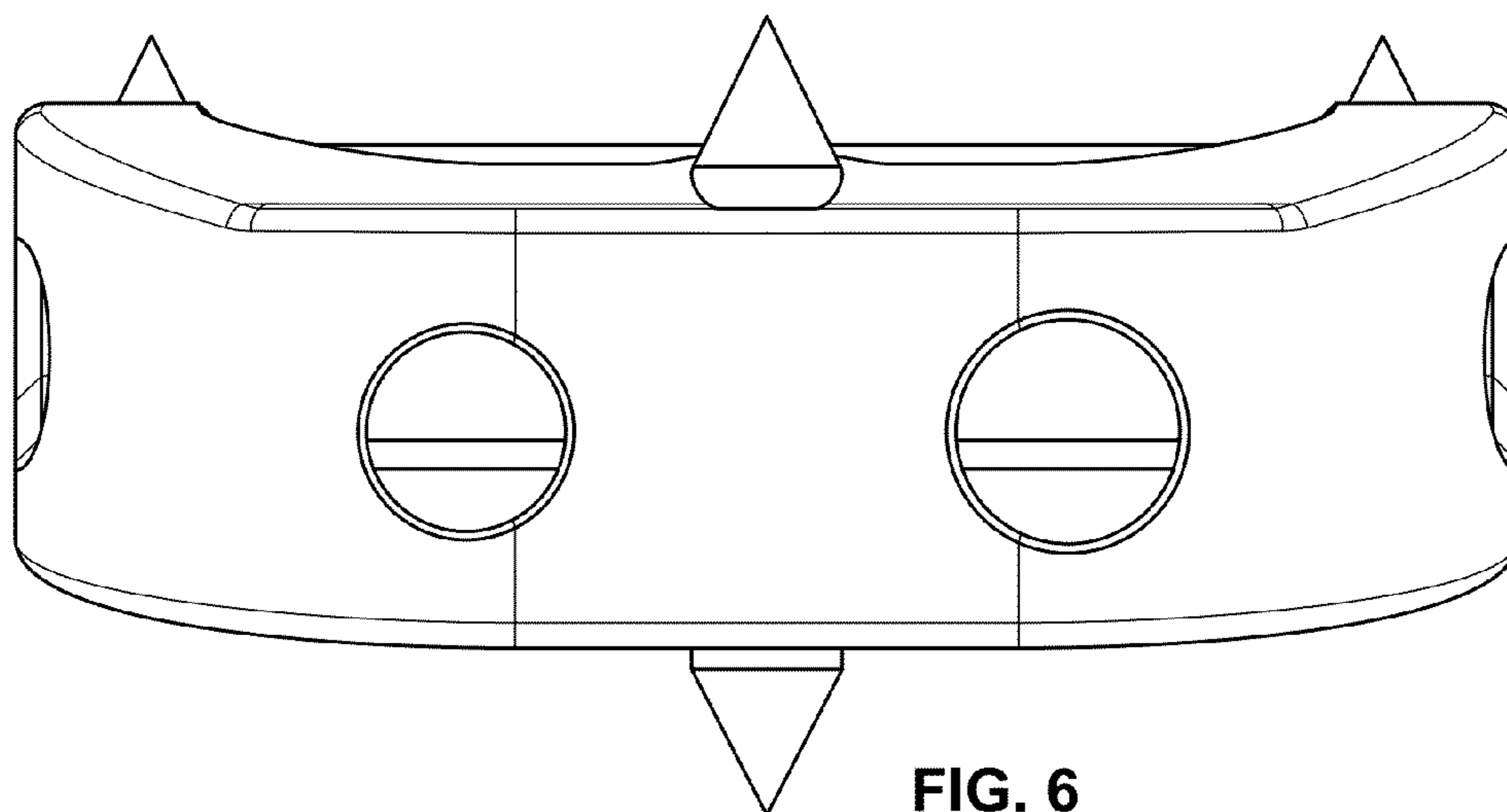


FIG. 6