



US00D711536S

(12) **United States Design Patent**
Velghe et al.

(10) **Patent No.:** **US D711,536 S**

(45) **Date of Patent:** **** Aug. 19, 2014**

(54) **OPTICAL PARAMETER MEASURING INSTRUMENT**

(71) Applicant: **Essilor International (Compagnie Generale d'Optique)**, Charenton le Pont (FR)

(72) Inventors: **Julien Velghe**, Bussy Saint Georges (FR); **Laurent Cussac**, Paris (FR)

(73) Assignee: **Essilor International (Compagnie Générale d'Optique)**, Charenton-le-Pont (FR)

(**) Term: **14 Years**

(21) Appl. No.: **29/435,731**

(22) Filed: **Oct. 26, 2012**

(30) **Foreign Application Priority Data**

Apr. 27, 2012 (EM) 002034744

(51) **LOC (10) Cl.** **24-02**

(52) **U.S. Cl.**
USPC **D24/150**

(58) **Field of Classification Search**
CPC A61B 3/111; G02C 13/003; G02C 13/005
USPC D10/46; D24/150; 351/200-221, 246
See application file for complete search history.

(56) **References Cited**

U.S. PATENT DOCUMENTS

6,132,045 A *	10/2000	Gauvreau	351/204
8,220,923 B2 *	7/2012	Saffra	351/204
8,506,078 B2 *	8/2013	Chauveau et al.	351/200

* cited by examiner

Primary Examiner — Antoine D Davis

(74) *Attorney, Agent, or Firm* — Gardere Wynne Sewell LLP

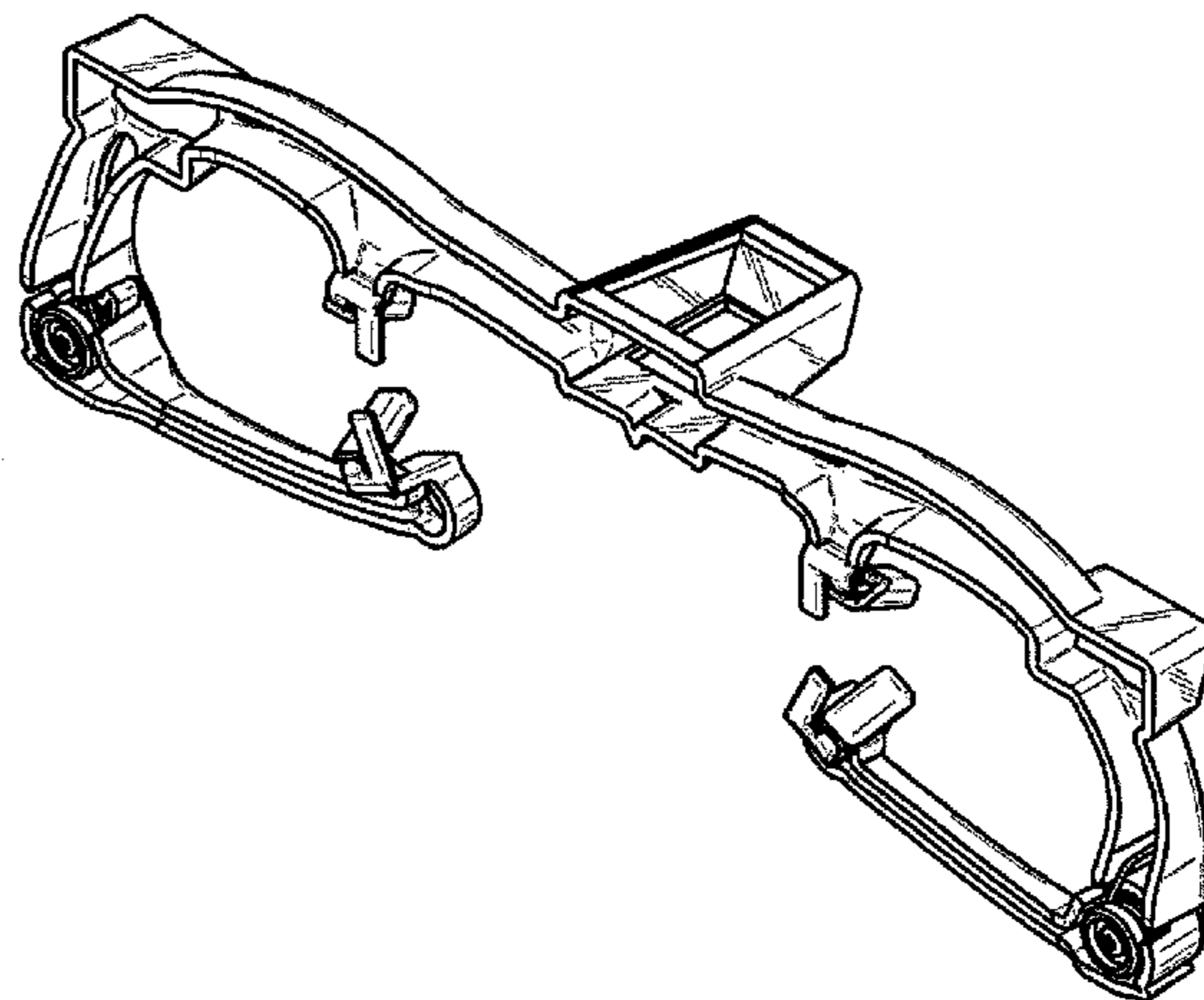
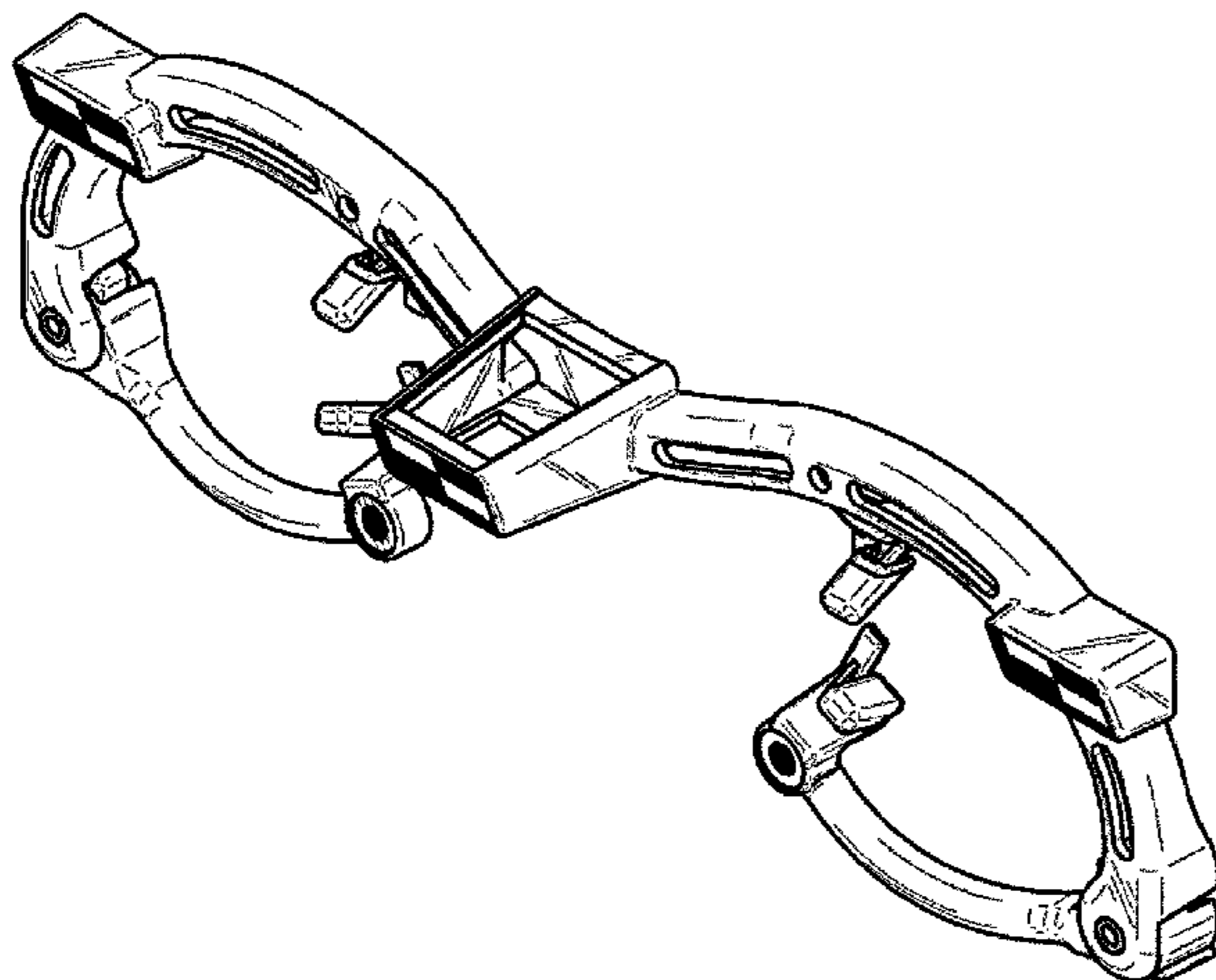
(57) **CLAIM**

The ornamental design for an optical parameter measuring instrument, as shown and described.

DESCRIPTION

FIG. 1 is a front perspective view of an optical parameter measuring instrument in accordance with the invention; FIG. 2 is a front view of the optical parameter measuring instrument shown in FIG. 1; FIG. 3 is a rear view of the optical parameter measuring instrument shown in FIG. 1; FIG. 4 is a right side view of the optical parameter measuring instrument shown in FIG. 1; FIG. 5 is a left side view of the optical parameter measuring instrument shown in FIG. 1; FIG. 6 is a top view of the optical parameter measuring instrument shown in FIG. 1; FIG. 7 is a bottom view of the optical parameter measuring instrument shown in FIG. 1; and, FIG. 8 is a rear perspective view of the optical parameter measuring instrument shown in FIG. 1.

1 Claim, 8 Drawing Sheets



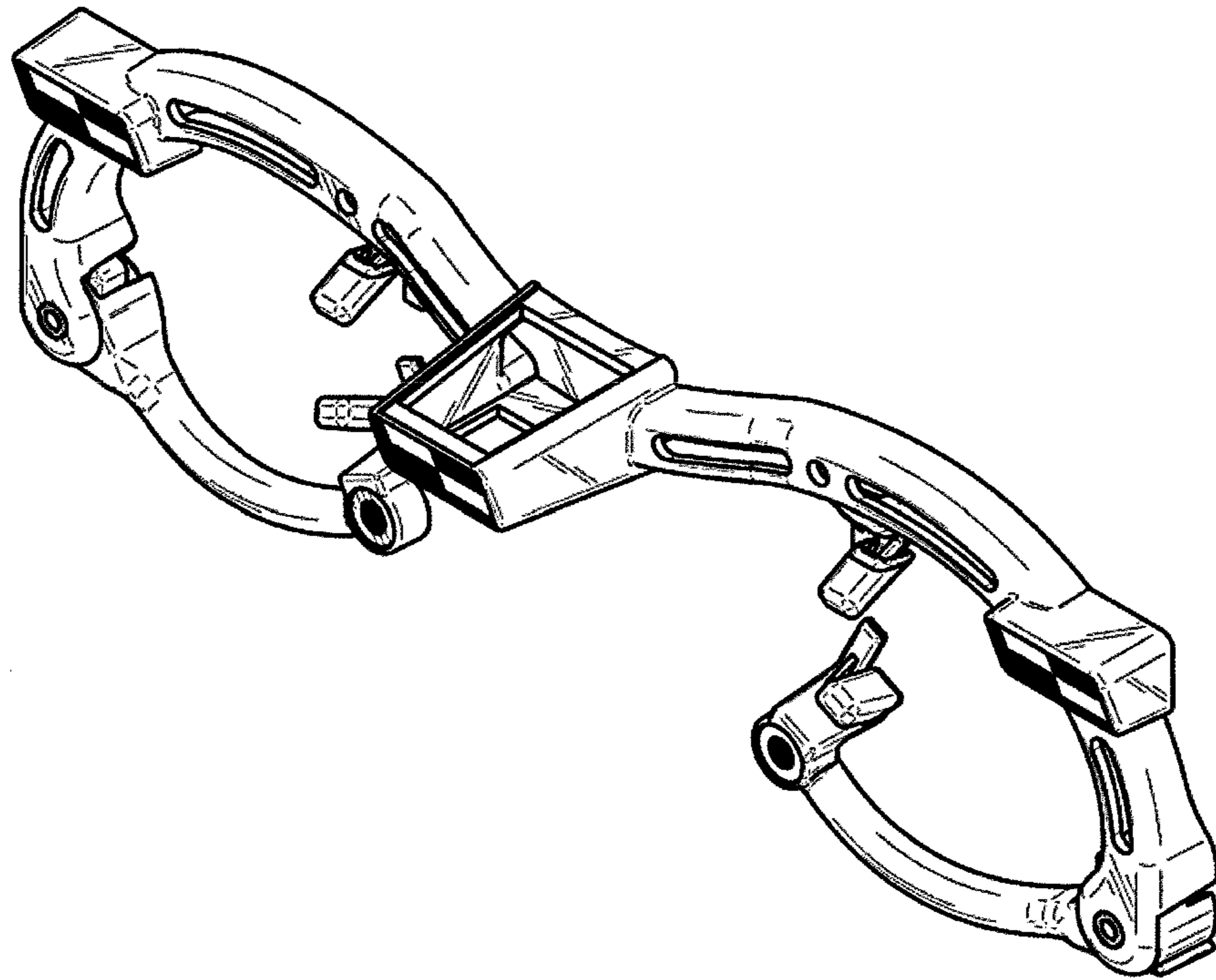


FIG. 1

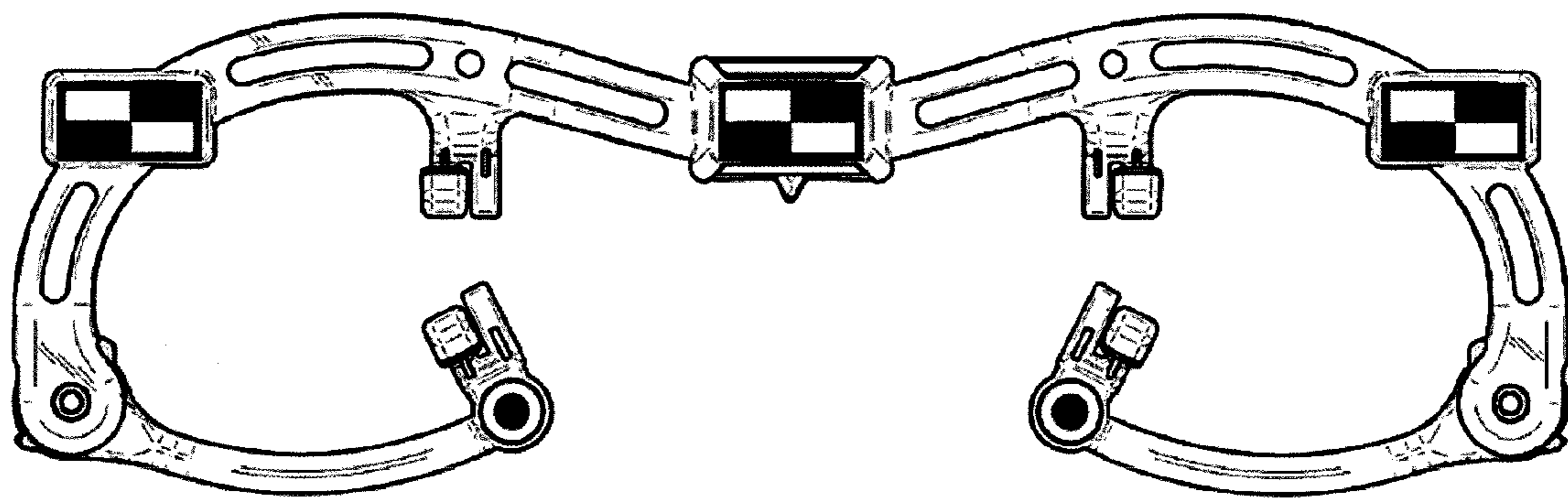


FIG. 2

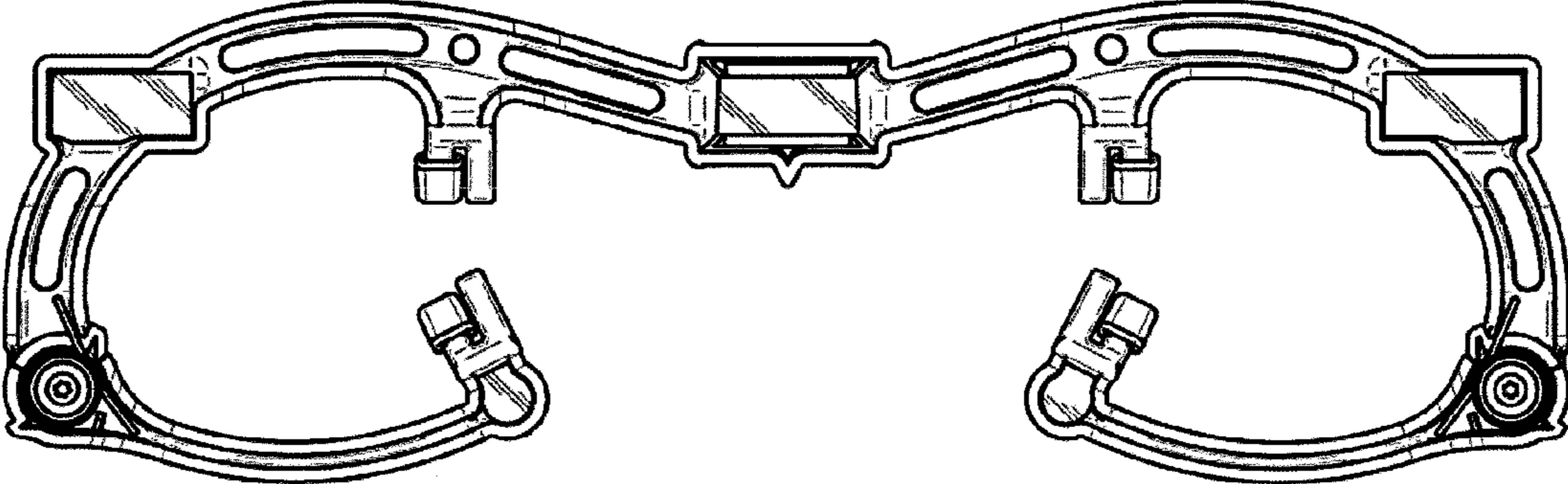


FIG. 3

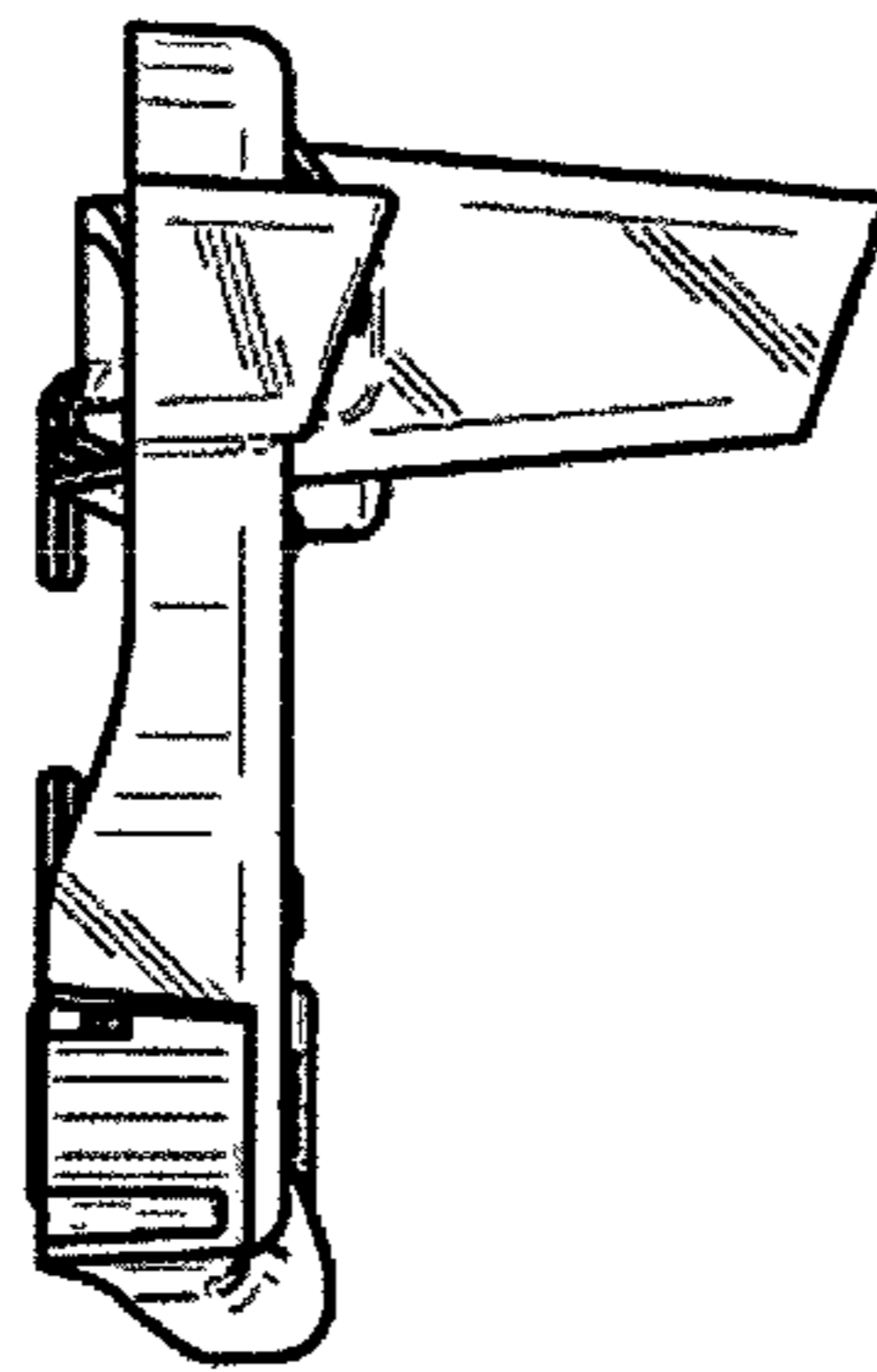


FIG. 4

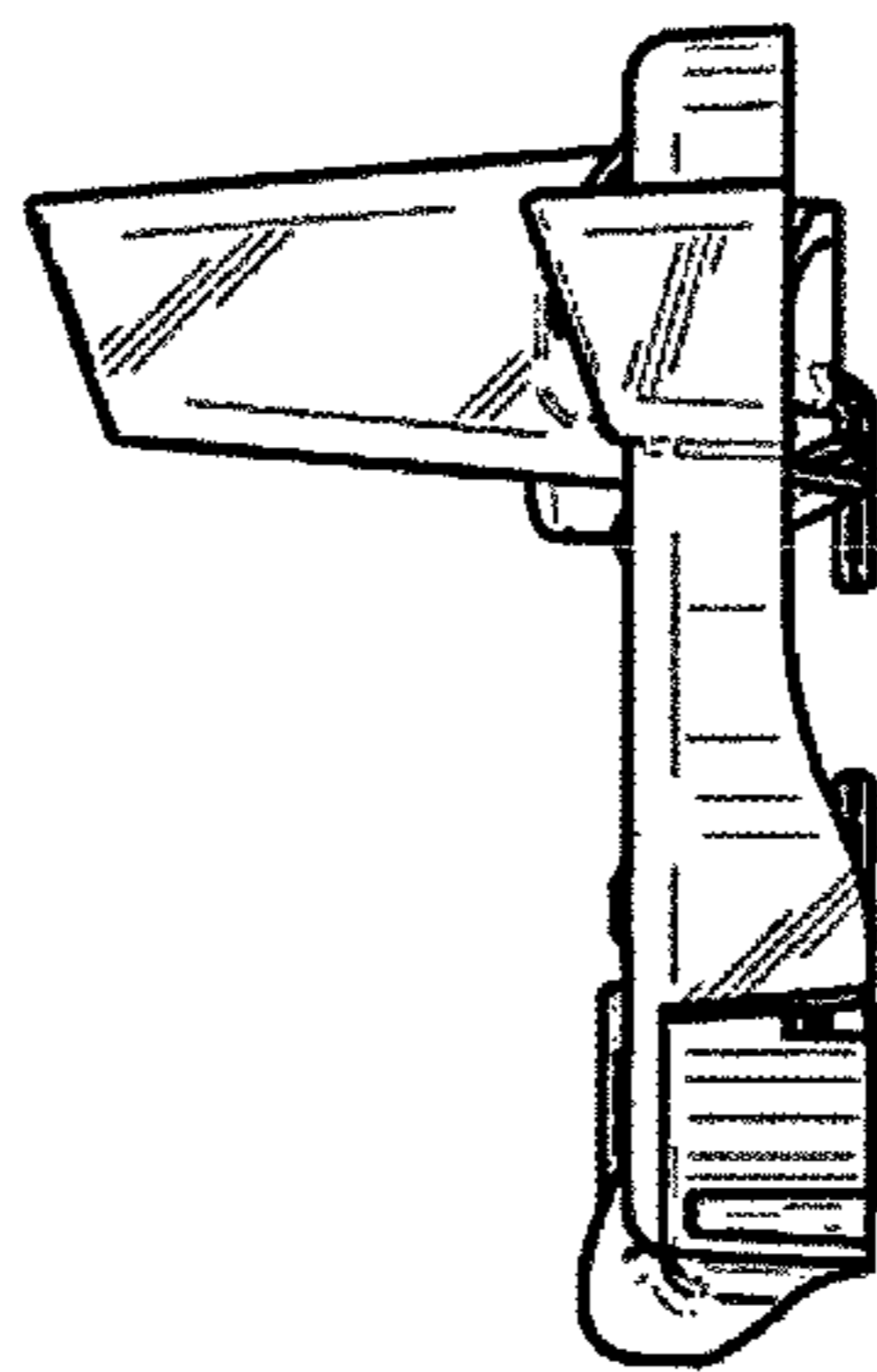


FIG. 5

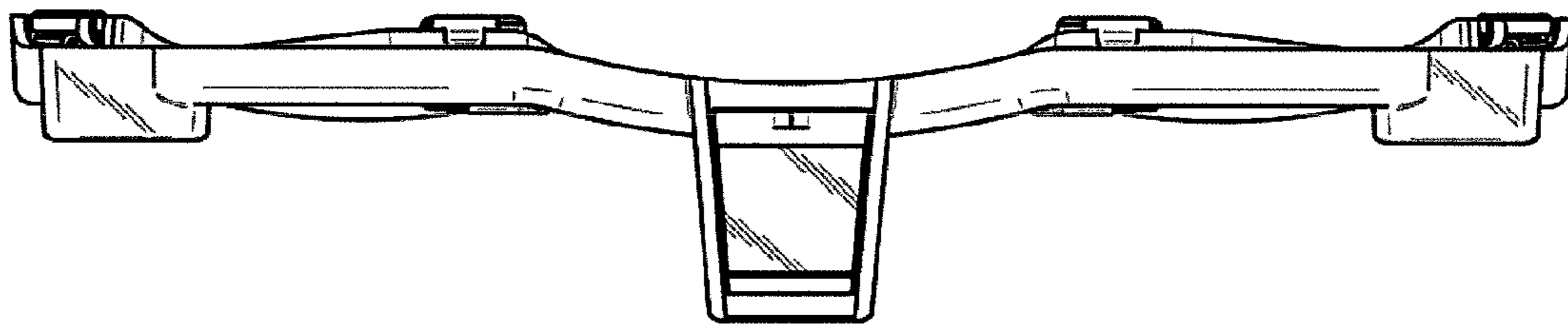


FIG. 6

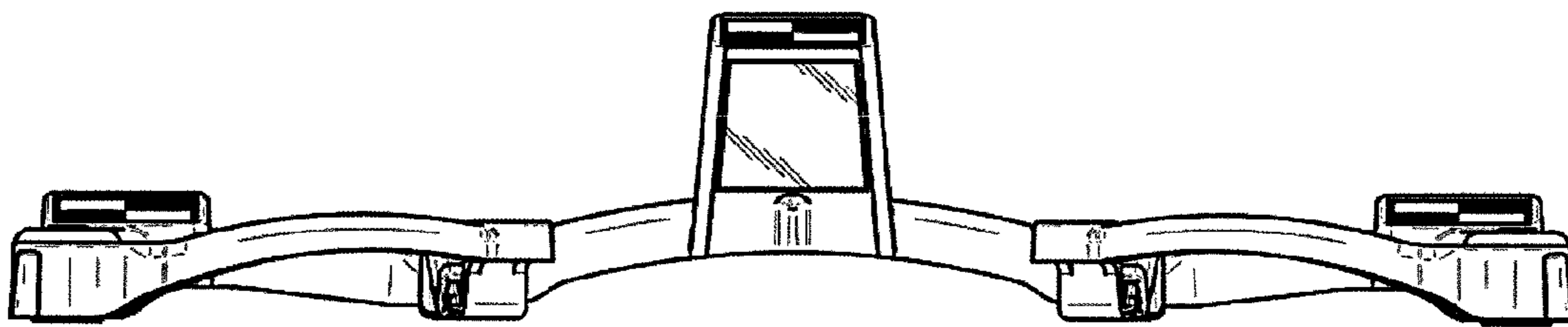


FIG. 7

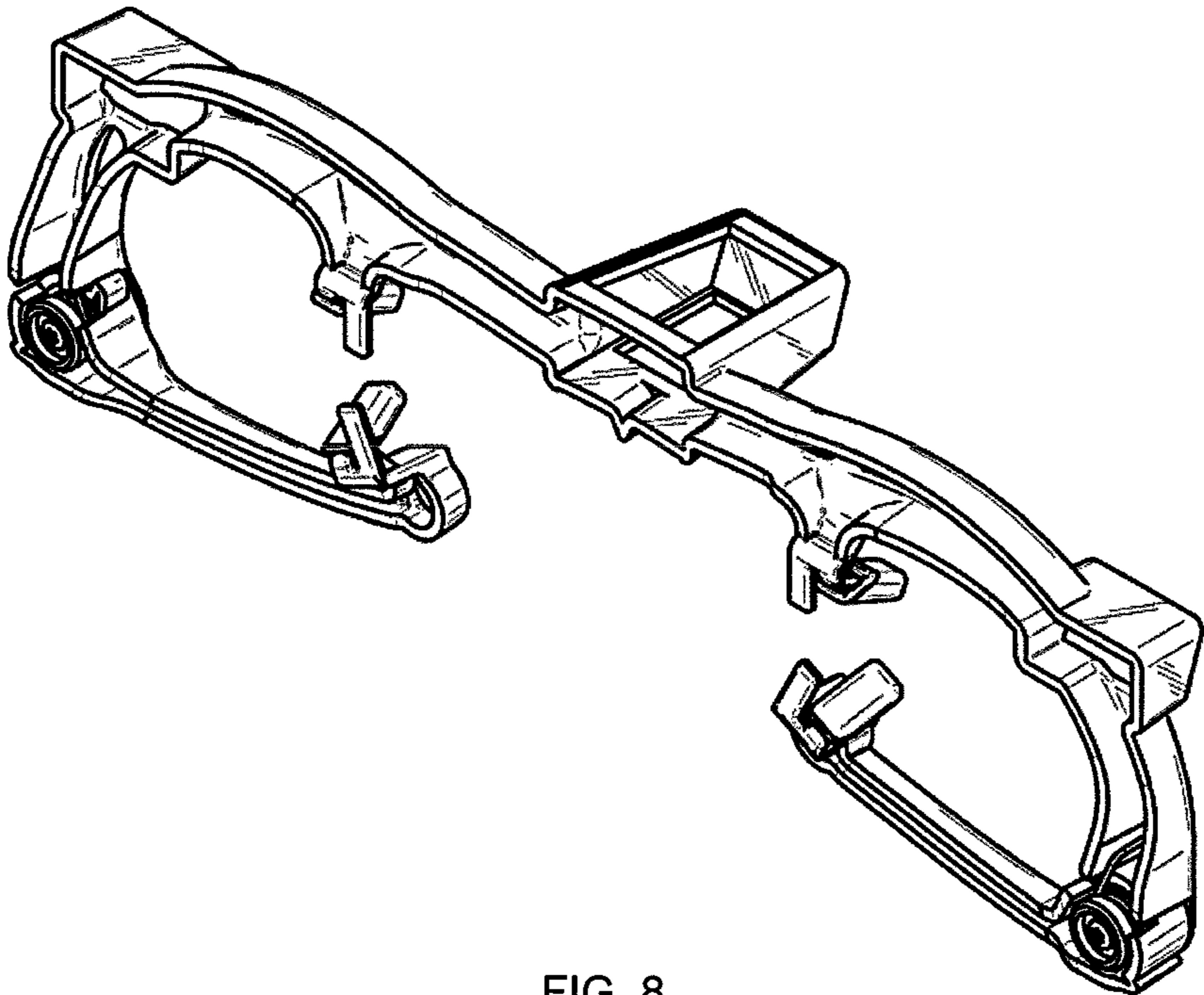


FIG. 8