



US00D711535S

(12) **United States Design Patent**  
**Harrison et al.**

(10) **Patent No.:** **US D711,535 S**

(45) **Date of Patent:** **\*\* Aug. 19, 2014**

(54) **DISTAL ASSEMBLY FOR A KNOT PUSHER**

(71) Applicant: **Anchor Orthopedics XT**, Mississauga (CA)

(72) Inventors: **Robert Harrison**, Milton (CA); **Aye Nyein San**, Mississauga (CA); **Ilinca Popovici**, Toronto (CA); **Neil Godara**, Milton (CA); **Jeffery Arnett**, Gilbert, AZ (US); **Dylan Hushka**, Gilbert, AZ (US)

(73) Assignee: **Anchor Orthopedics XT Inc.**, Mississauga, Ontario (CA)

(\*\*) Term: **14 Years**

(21) Appl. No.: **29/436,660**

(22) Filed: **Nov. 8, 2012**

(51) **LOC (10) Cl.** ..... **24-02**

(52) **U.S. Cl.**

USPC ..... **D24/145**; D24/133

(58) **Field of Classification Search**

USPC ..... D24/145, 133, 138, 147; D8/303; 289/17; 606/1, 53, 86 A, 90, 139, 606/143-145, 142, 148, 170, 190-191

See application file for complete search history.

(56) **References Cited**

**U.S. PATENT DOCUMENTS**

5,084,058	A *	1/1992	Li	606/148
5,282,809	A *	2/1994	Kammerer et al.	606/148
D353,002	S *	11/1994	Tovey	D24/145
5,403,330	A *	4/1995	Tuason	606/148
D359,355	S *	6/1995	Ferragamo et al.	D24/145
D360,687	S *	7/1995	Ferragamo et al.	D24/145
D360,688	S *	7/1995	Ferragamo et al.	D24/145
D386,583	S *	11/1997	Ferragamo et al.	D24/145

D387,161 S \* 12/1997 Ferragamo et al. .... D24/145

\* cited by examiner

*Primary Examiner* — Wan Laymon

(74) *Attorney, Agent, or Firm* — Nir Lifshitz; Glenn Arnold

(57) **CLAIM**

The ornamental design for a distal assembly for a knot pusher, as shown and described.

**DESCRIPTION**

FIG. 1 is a top, front, left side perspective view of a distal assembly for a knot pusher, showing our new design, wherein the break lines indicate indeterminate length;

FIG. 2 is a top, rear, right side perspective view of the distal assembly of FIG. 1, wherein the break lines indicate indeterminate length;

FIG. 3 is a left side elevational view of the distal assembly of FIG. 1, wherein the break lines indicate indeterminate length;

FIG. 4 is a right side elevational view of the distal assembly of FIG. 1, wherein the break lines indicate indeterminate length;

FIG. 5 is a top plan view of the distal assembly of FIG. 1, wherein the break lines indicate indeterminate length;

FIG. 6 is a bottom plan view of the distal assembly of FIG. 1, wherein the break lines indicate indeterminate length;

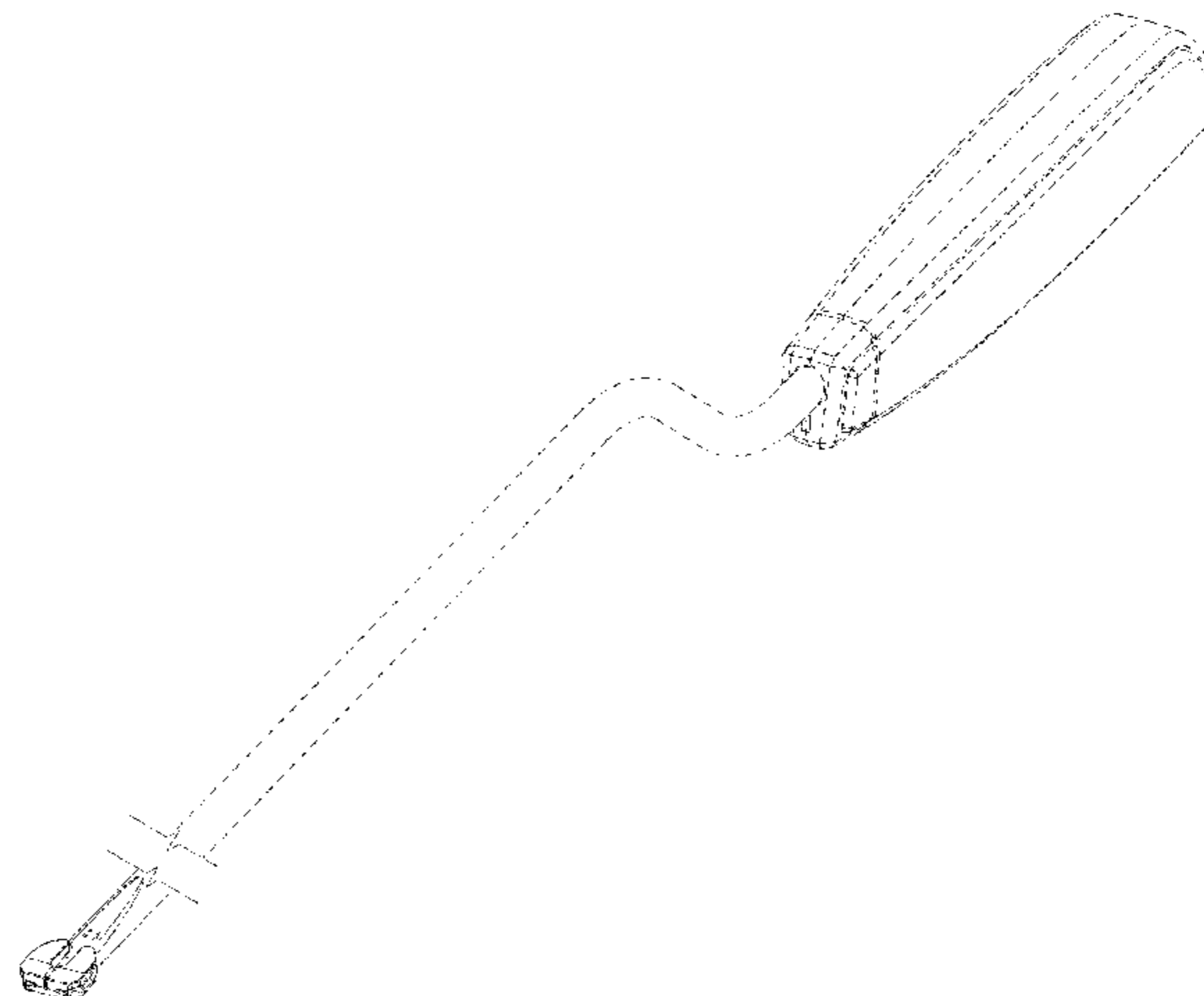
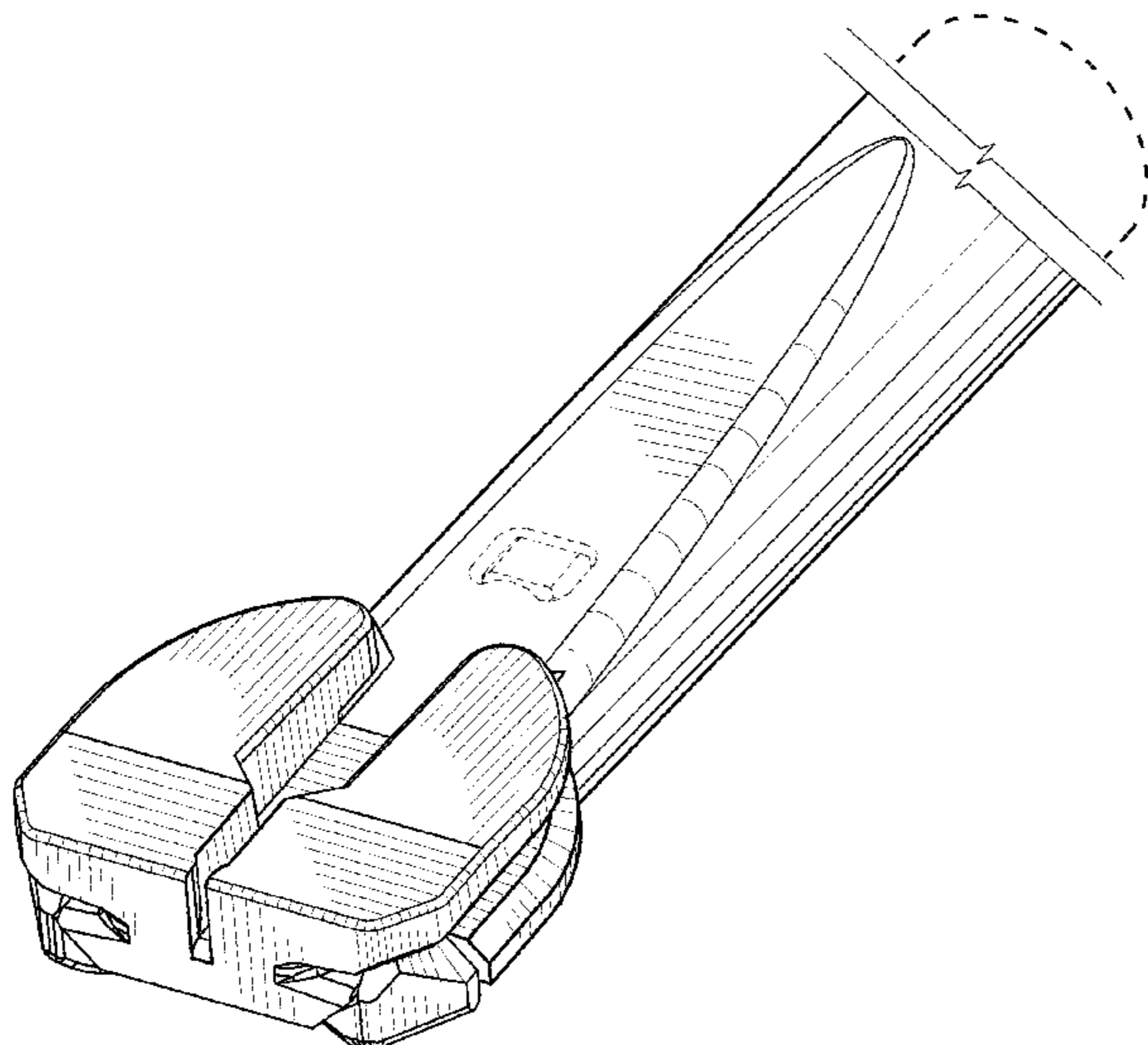
FIG. 7 is a front elevational view of the distal assembly of FIG. 1;

FIG. 8 is a rear elevational view of the distal assembly of FIG. 1; and,

FIG. 9 is a top, front, left side perspective view of the distal assembly of FIG. 1, wherein the break lines indicate indeterminate length.

The broken lines immediately adjacent the shaded areas represent the bounds of the claimed design while all other broken lines are directed to environment and are for illustrative purposes only; the broken lines form no part of the claimed design.

**1 Claim, 8 Drawing Sheets**



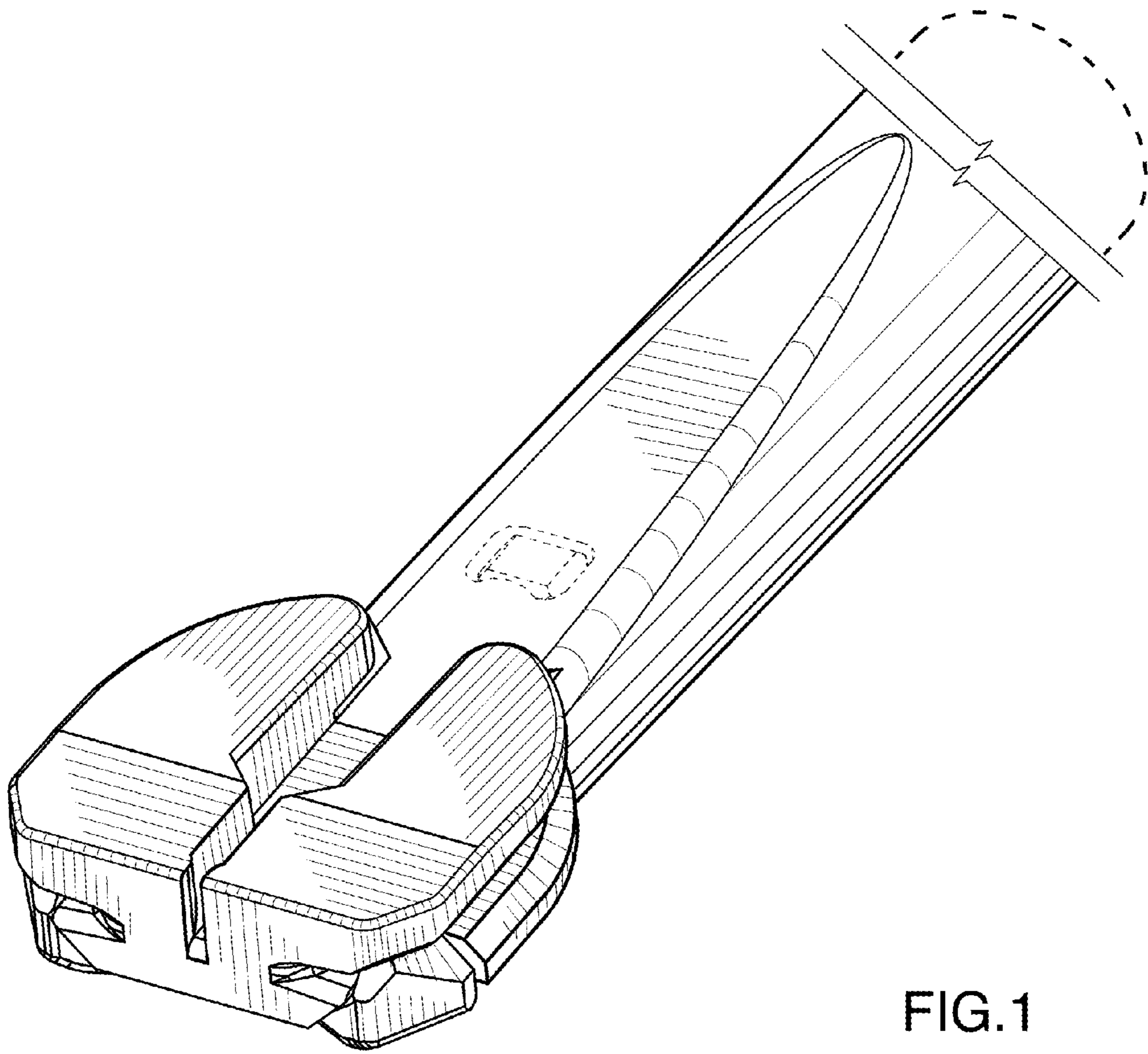


FIG.1

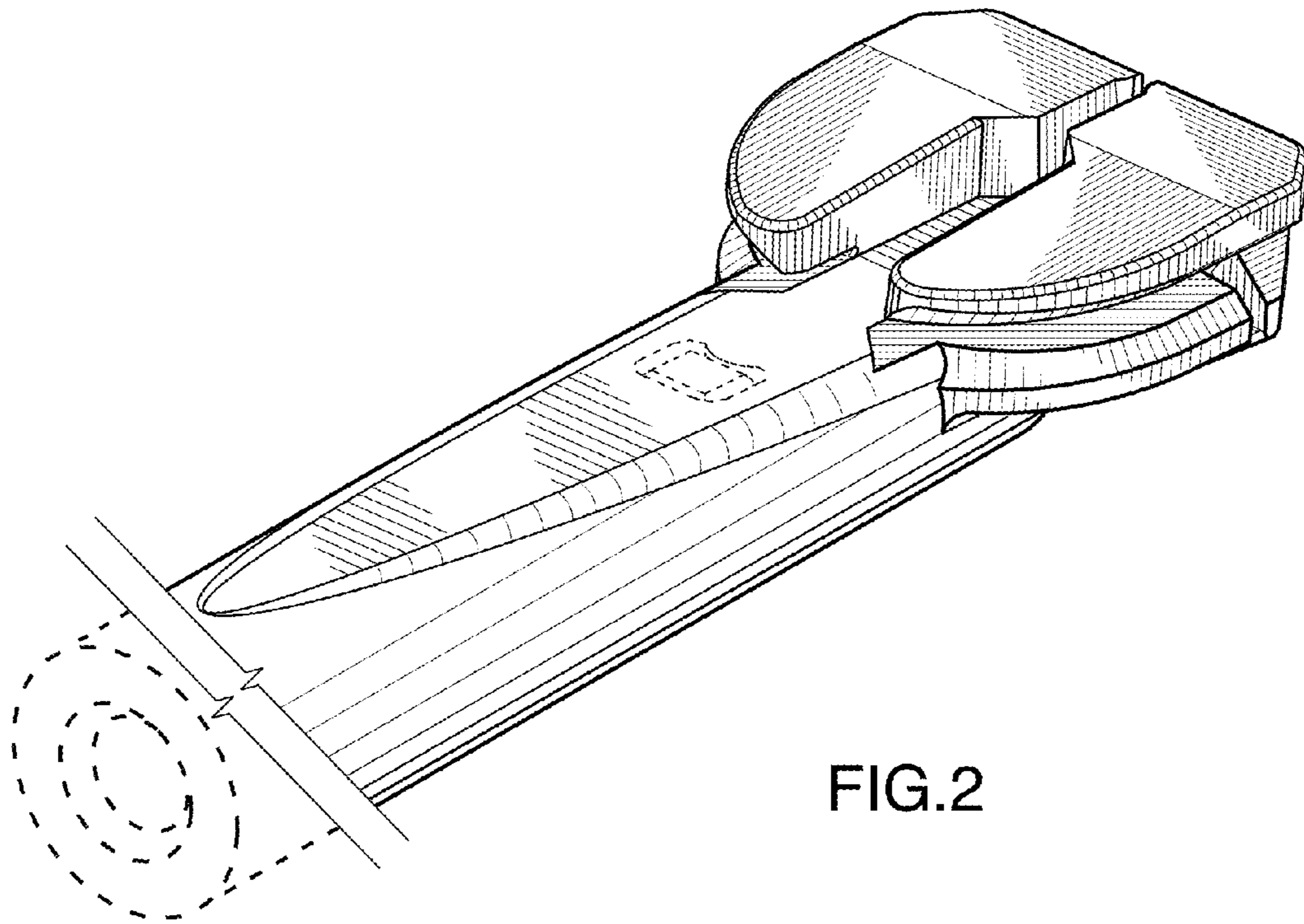


FIG. 2

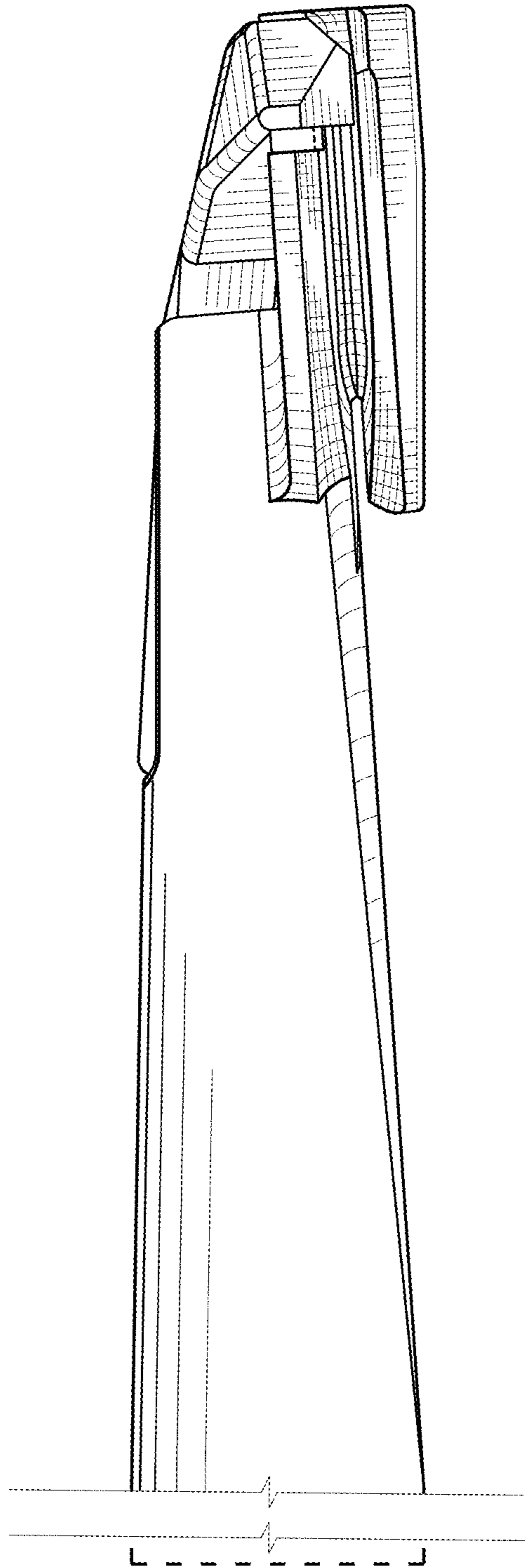


FIG.3



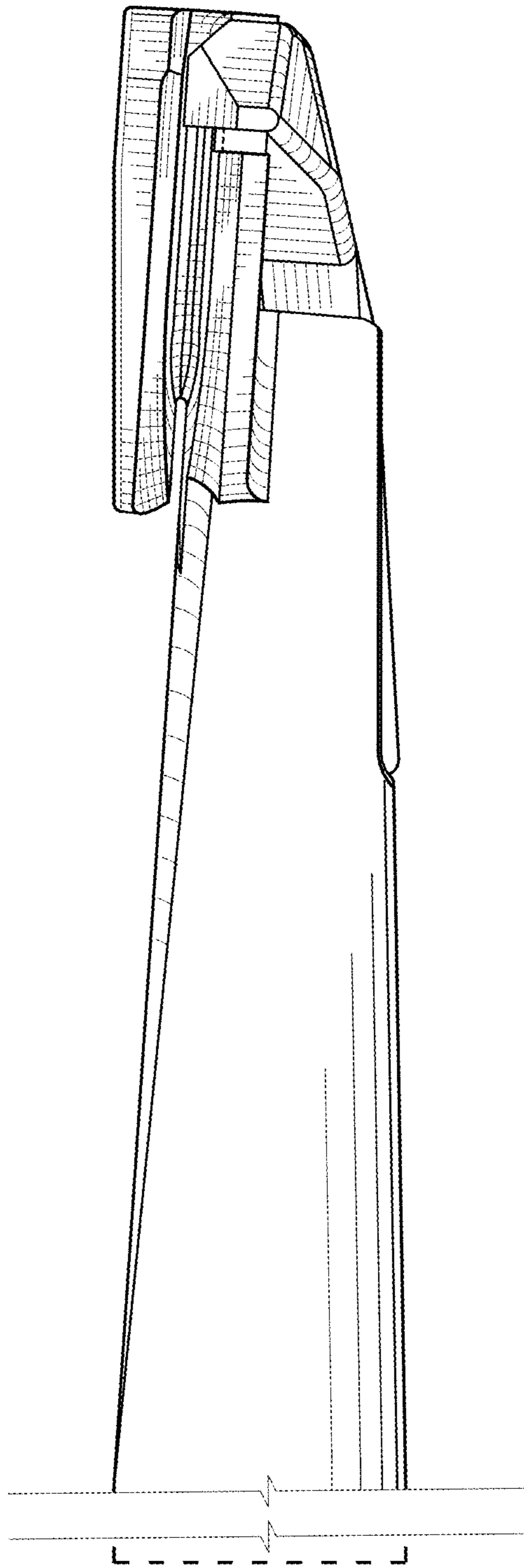


FIG.4

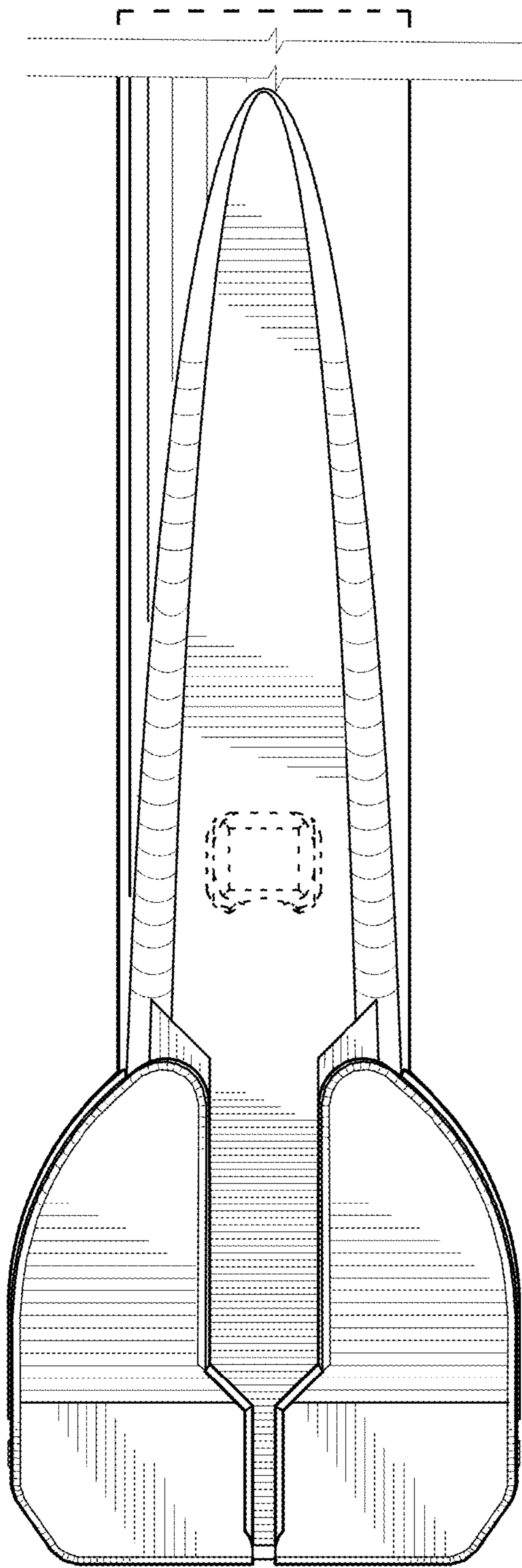


FIG.5

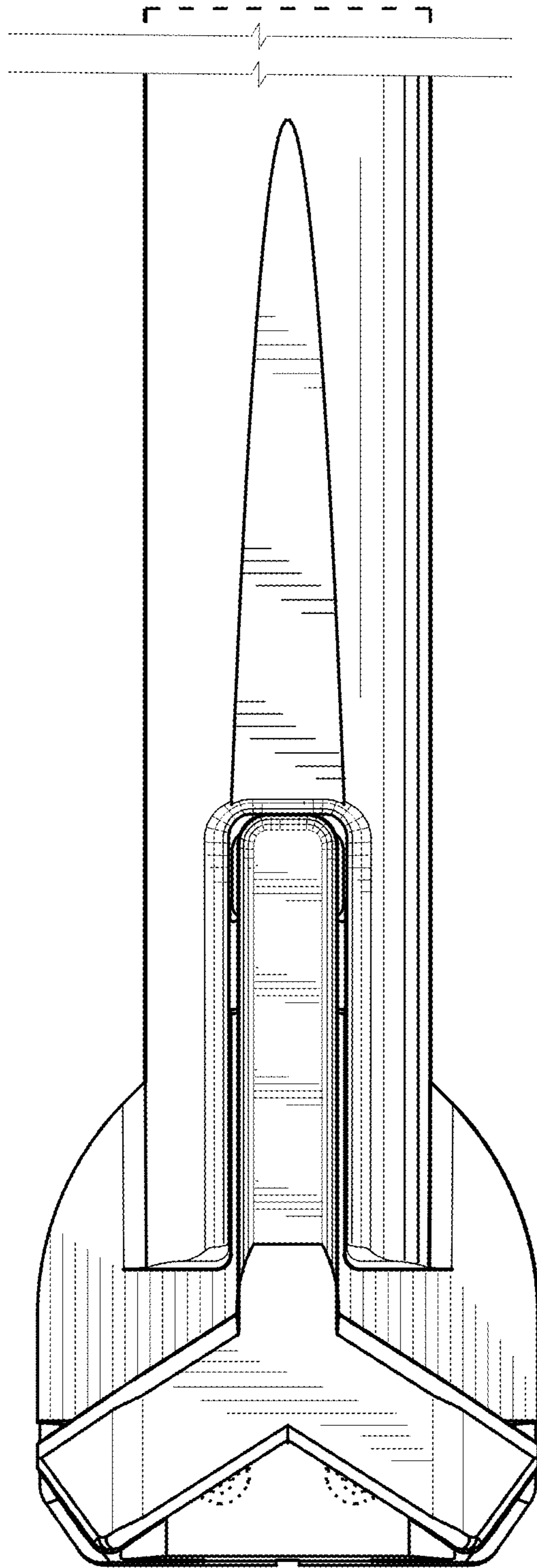


FIG. 6

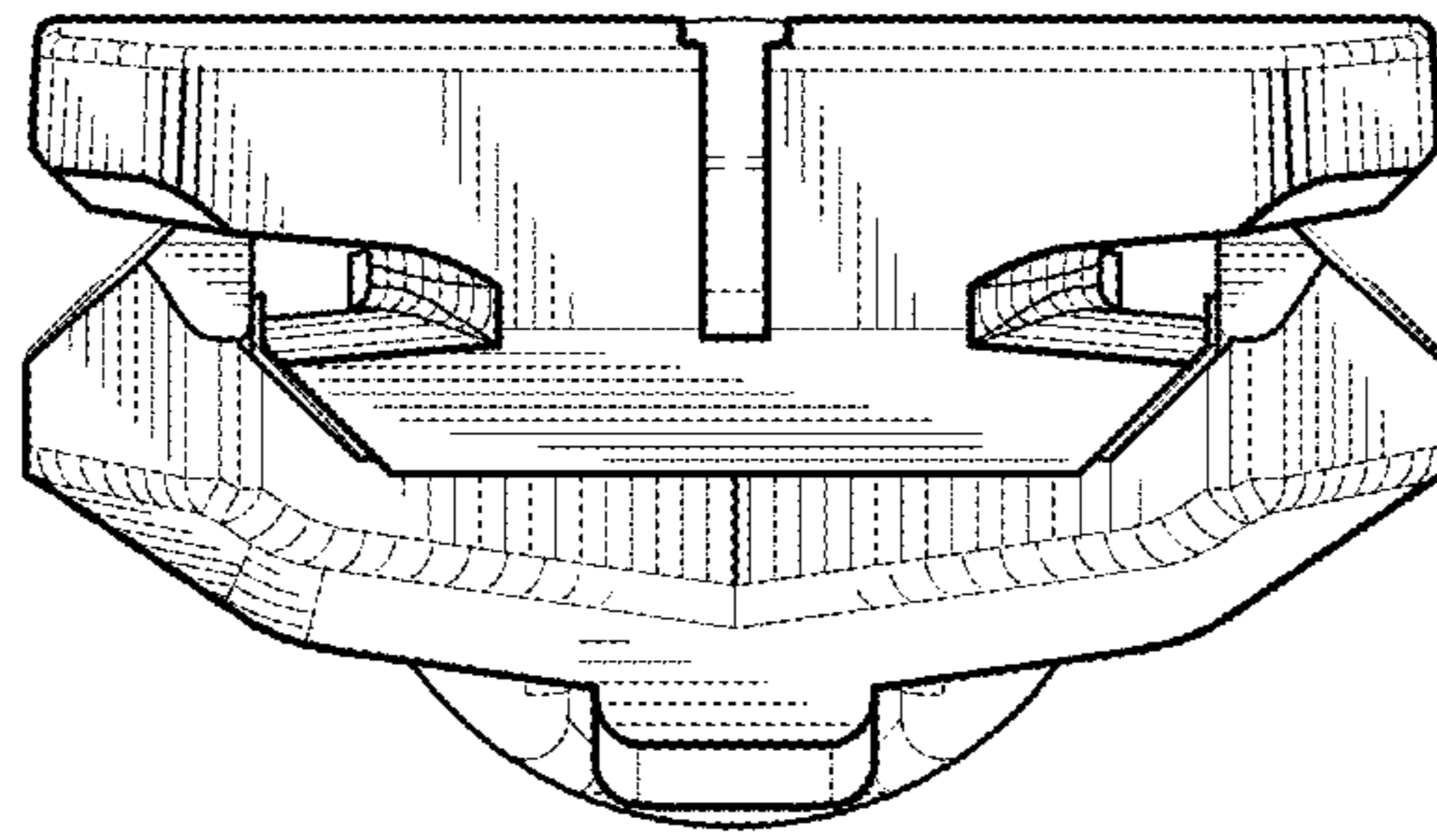


FIG. 7

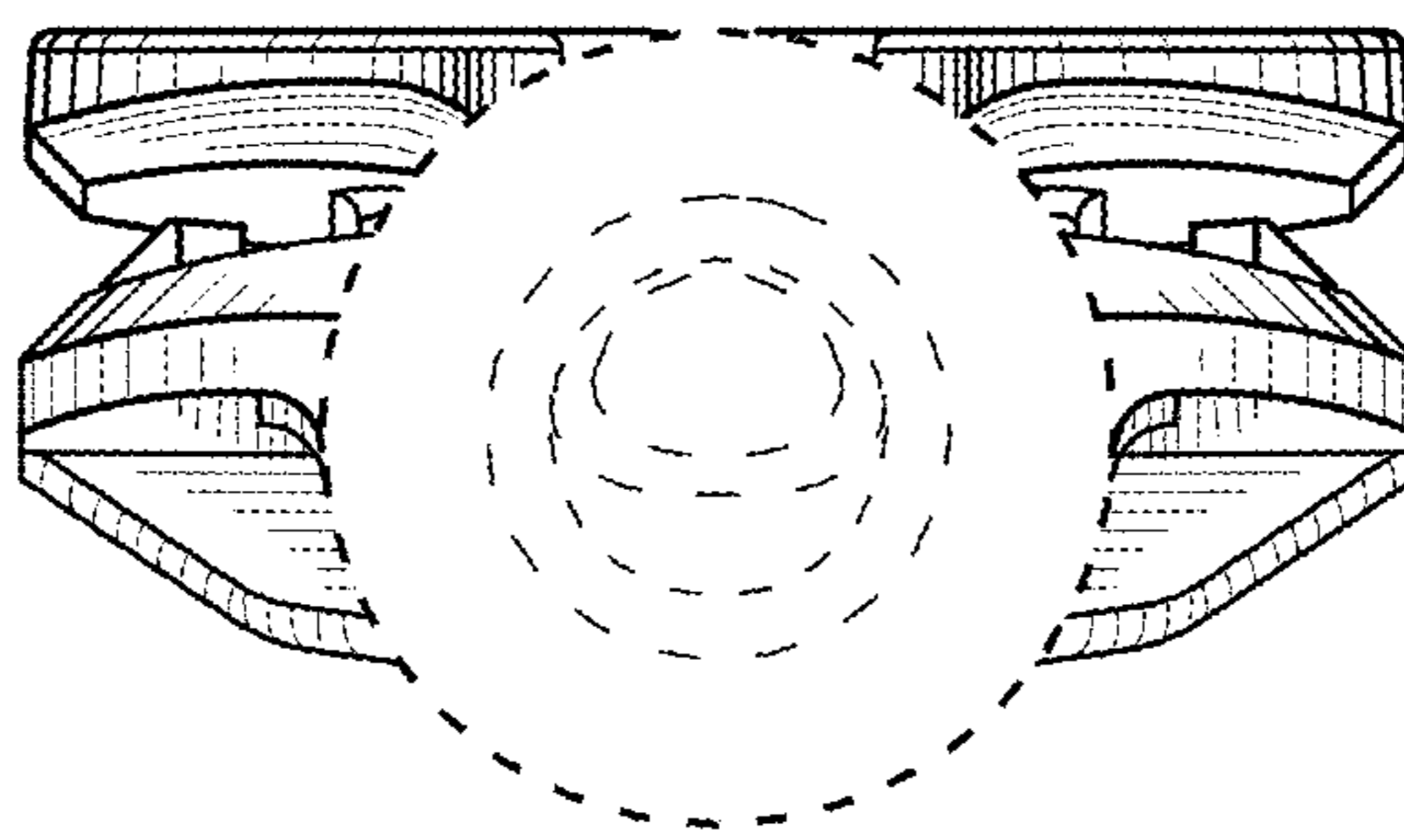


FIG. 8



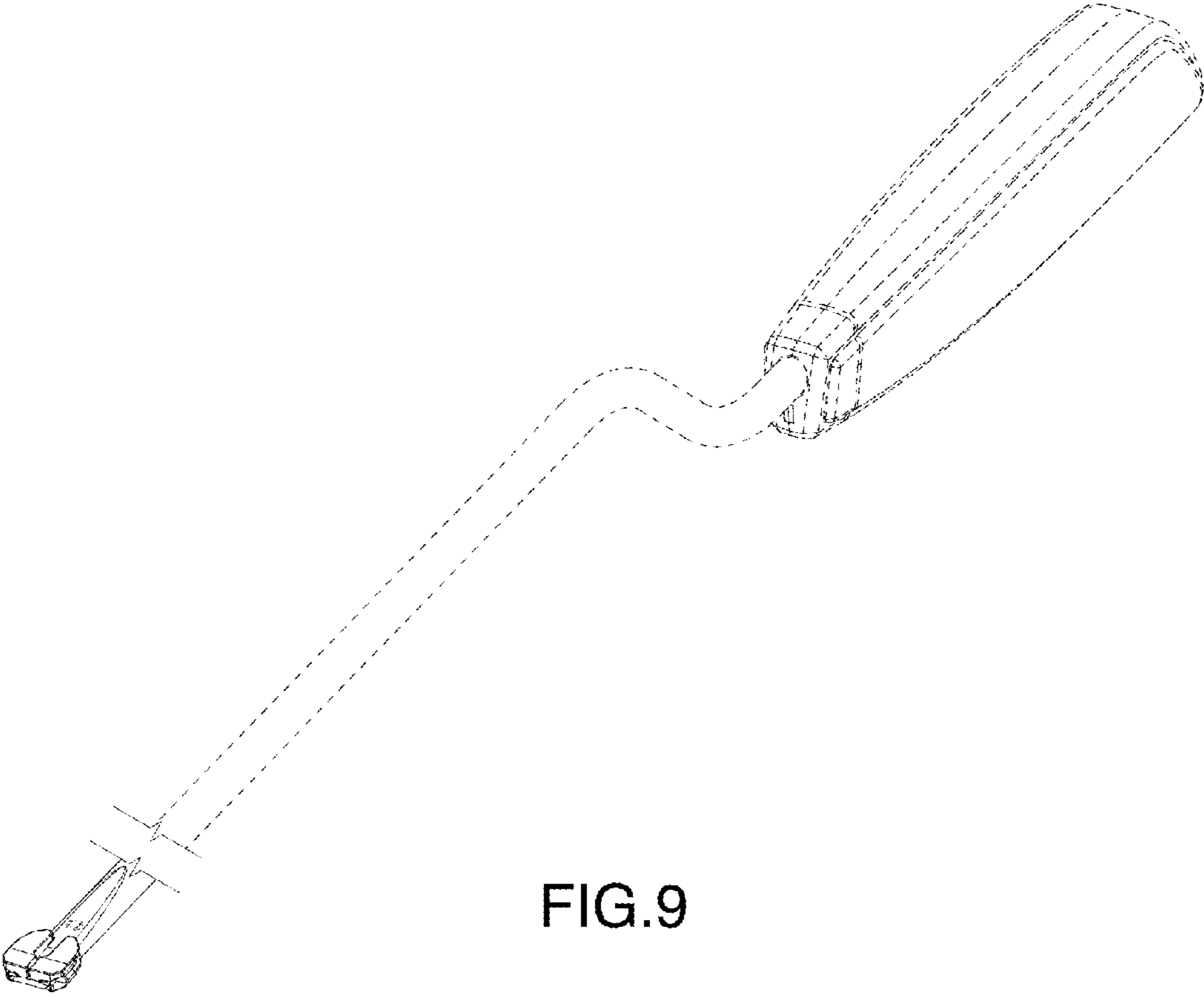


FIG. 9