



US00D711534S

(12) **United States Design Patent**  
**Huang**

(10) **Patent No.:** **US D711,534 S**

(45) **Date of Patent:** **\*\* Aug. 19, 2014**

(54) **TATTOO MACHINE**

(71) Applicant: **Eric Huang**, Temple City, CA (US)

(72) Inventor: **Eric Huang**, Temple City, CA (US)

(\*\*) Term: **14 Years**

(21) Appl. No.: **29/439,820**

(22) Filed: **Dec. 14, 2012**

(51) **LOC (10) Cl.** ..... **24-02**

(52) **U.S. Cl.**  
USPC ..... **D24/144**

(58) **Field of Classification Search**  
USPC ..... D24/133, 144, 146-147; 81/9.22;  
606/9, 185-186; 604/47, 289  
See application file for complete search history.

(56) **References Cited**

U.S. PATENT DOCUMENTS

4,437,361	A *	3/1984	Steckel et al.	81/9.22
6,282,987	B1 *	9/2001	Moniz	81/9.22
6,550,356	B1 *	4/2003	Underwood	81/9.22
D613,864	S *	4/2010	Colton et al.	D24/144

7,748,294	B2 *	7/2010	Jarboe et al.	81/9.22
7,908,943	B2 *	3/2011	Beyer	81/9.22
2005/0028647	A1 *	2/2005	Sloan	81/9.22
2009/0183602	A1 *	7/2009	Crockett	81/9.22

\* cited by examiner

*Primary Examiner* — Wan Laymon

(74) *Attorney, Agent, or Firm* — QuickPatents; Kevin Prince

(57) **CLAIM**

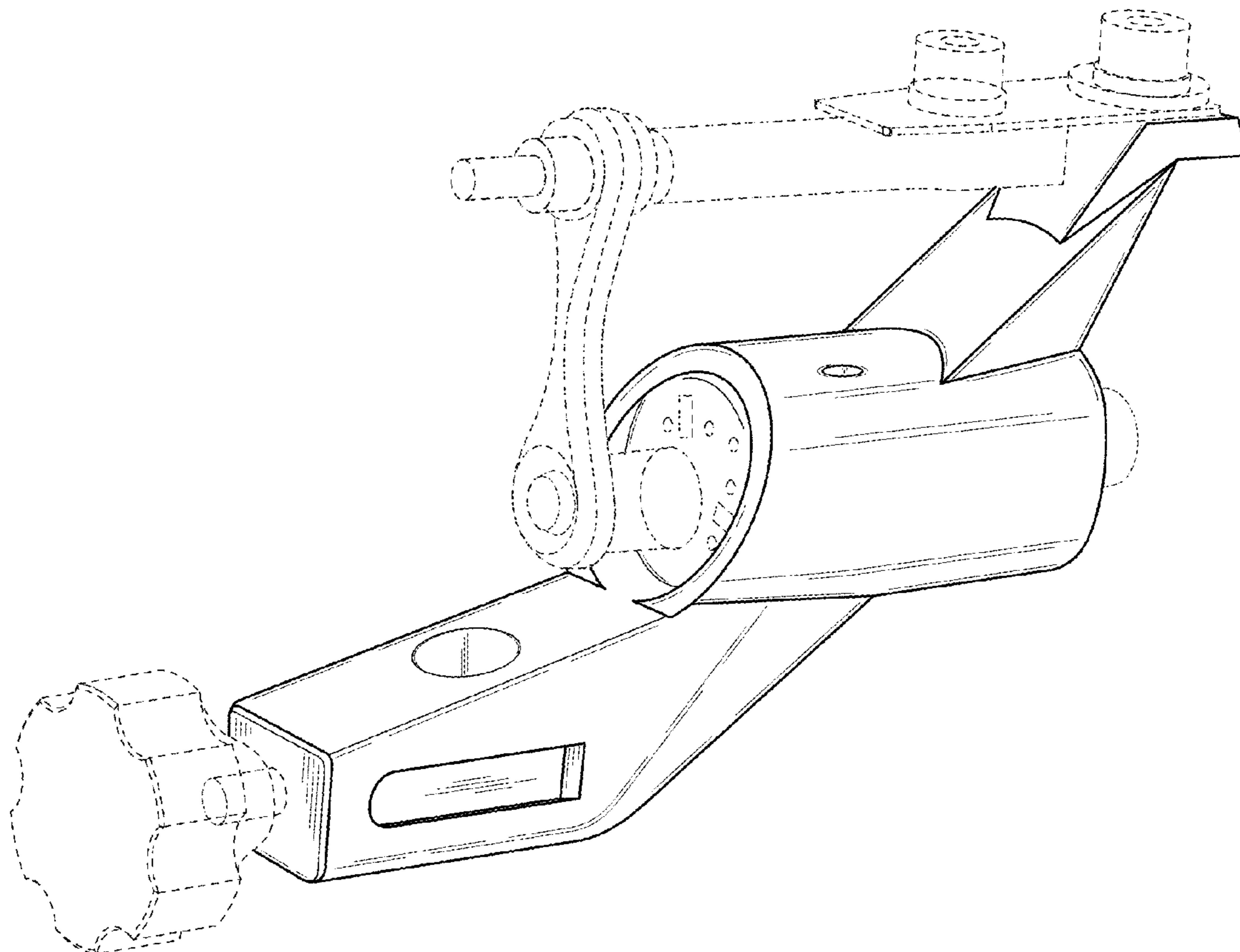
I claim the ornamental design for a tattoo machine, as shown and described.

**DESCRIPTION**

FIG. 1 is a rear perspective view of a tattoo machine, showing my new design;  
 FIG. 2 is a rear elevational view thereof;  
 FIG. 3 is a front elevational view thereof;  
 FIG. 4 is a right-side elevational view thereof, the left-side elevational view being a mirror image thereof;  
 FIG. 5 is a top plan view thereof; and,  
 FIG. 6 is a bottom plan view thereof.

The broken lines showing knobs in the figures depict environmental matter and form no part of the claimed design.

**1 Claim, 3 Drawing Sheets**



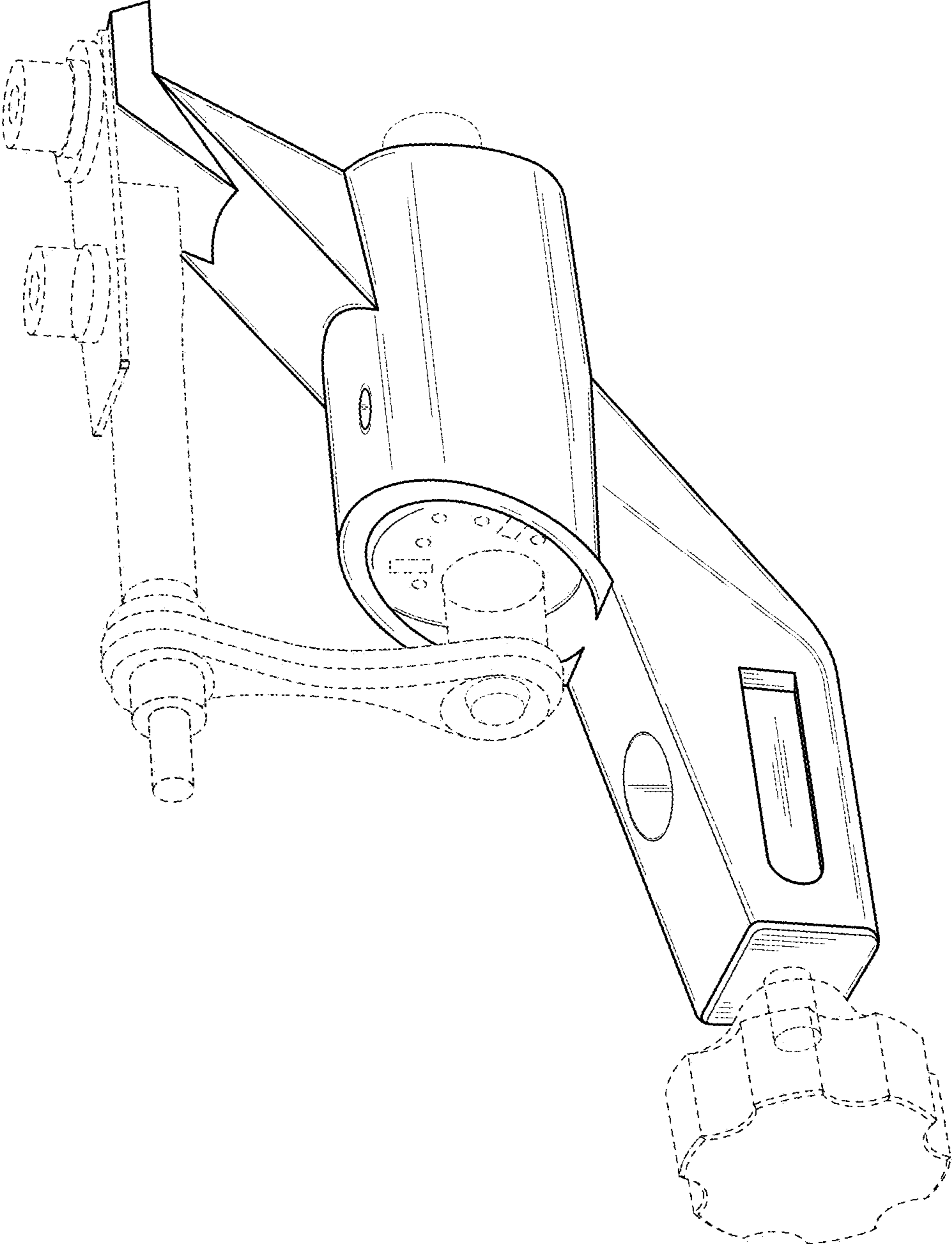


FIG. 1

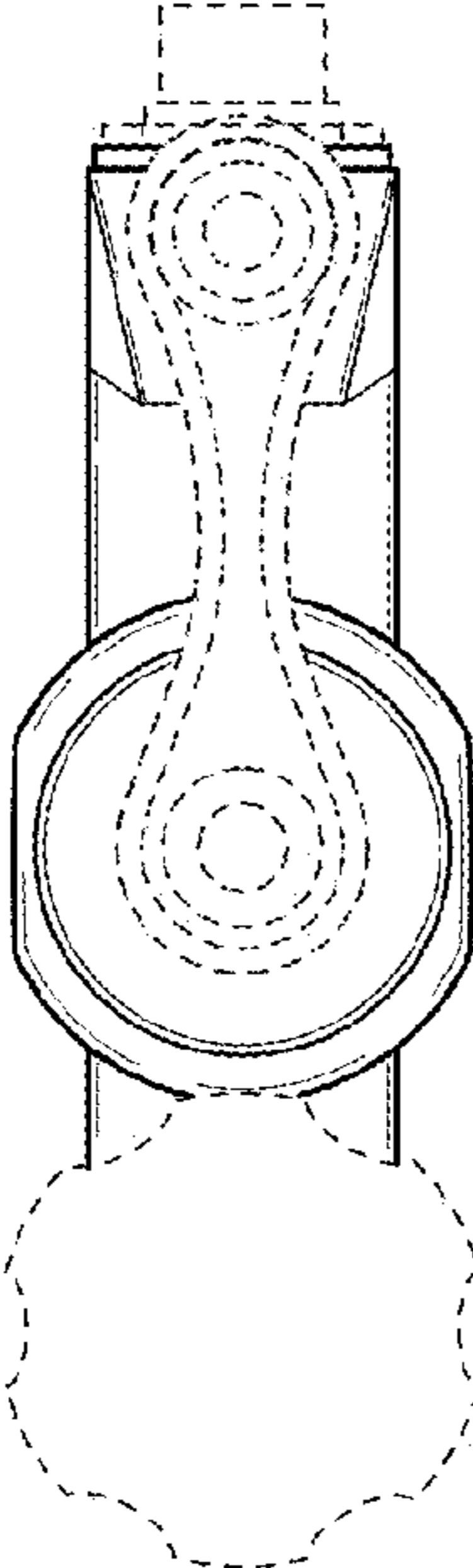


FIG. 2

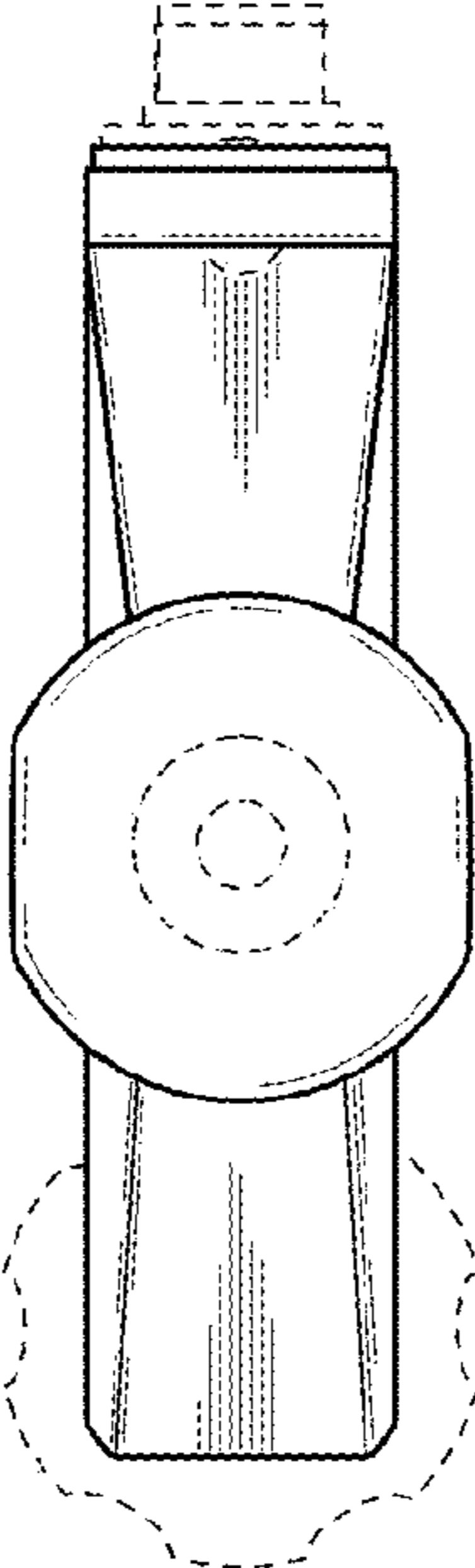


FIG. 3

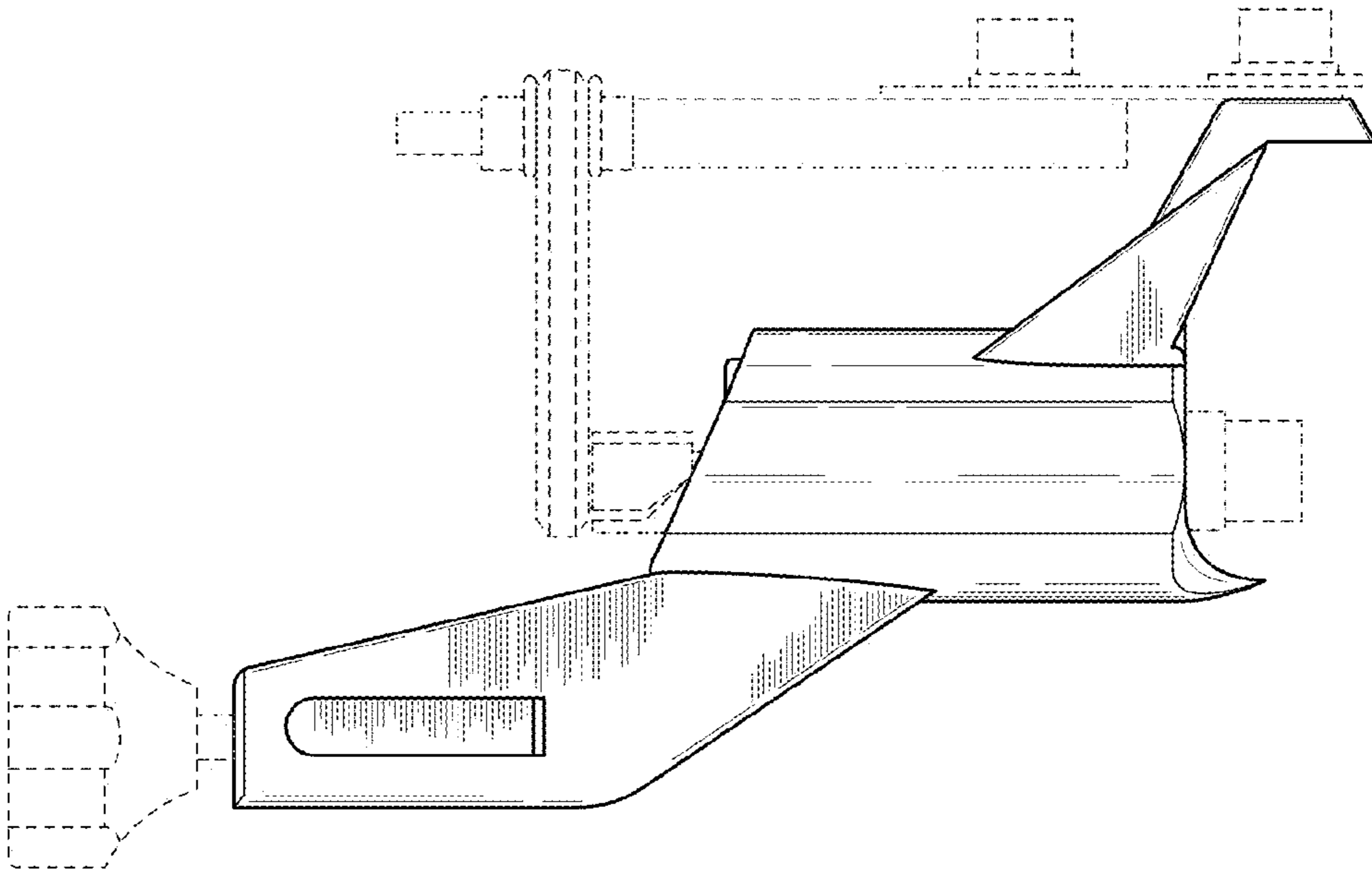


FIG. 4

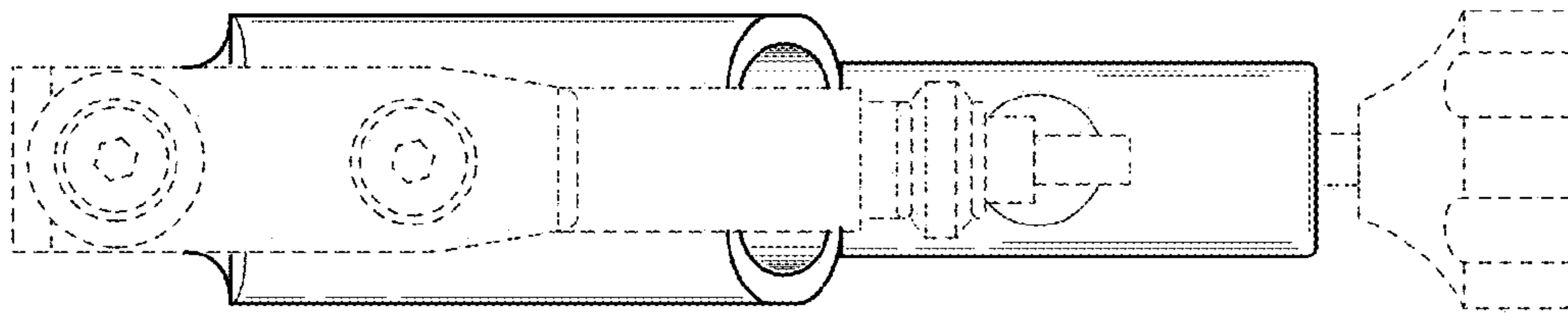


FIG. 5

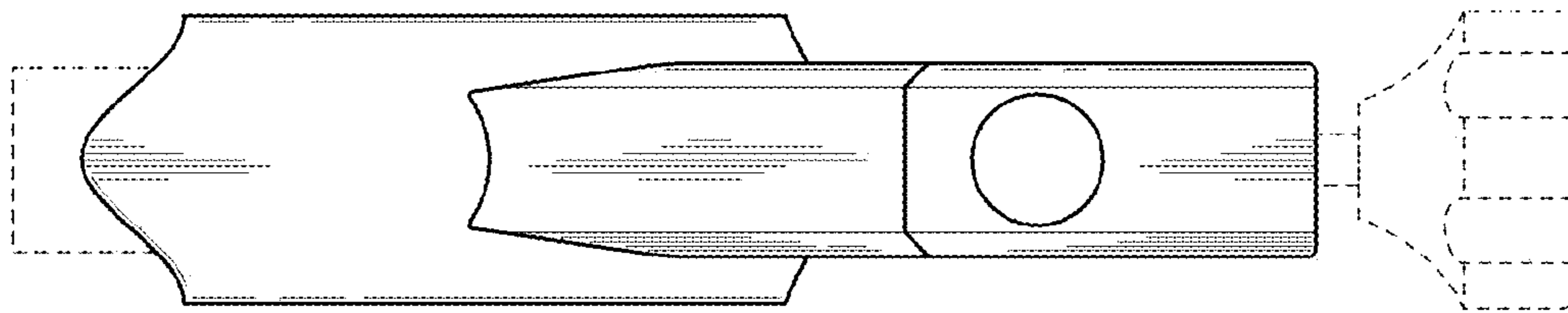


FIG. 6