



US00D711532S

(12) **United States Design Patent**
Habboushe et al.

(10) **Patent No.:** **US D711,532 S**

(45) **Date of Patent:** **** Aug. 19, 2014**

(54) **ELECTRONIC STETHOSCOPE PICK-UP HEAD**

(71) Applicant: **Elegant Medical LLC**, New Hyde Park, NY (US)

(72) Inventors: **Joseph Habboushe**, New York, NY (US); **Scott Poff**, New Hyde Park, NY (US); **Richard Derman**, New Hyde Park, NY (US); **Stephen Ahnert**, New Hyde Park, NY (US)

(73) Assignee: **Elegant Medical LLC**, New Hyde Park, NY (US)

(**) Term: **14 Years**

(21) Appl. No.: **29/438,773**

(22) Filed: **Dec. 3, 2012**

(51) **LOC (10) Cl.** **24-02**

(52) **U.S. Cl.**
USPC **D24/134**

(58) **Field of Classification Search**
USPC D24/134, 133; 181/131, 132
See application file for complete search history.

(56) **References Cited**

U.S. PATENT DOCUMENTS

D344,798	S	*	3/1994	Baskin	D24/134
D361,840	S	*	8/1995	Savage et al.	D24/134
5,931,792	A	*	8/1999	Packard et al.	600/528
D445,184	S	*	7/2001	Meyer	D24/134
D477,405	S	*	7/2003	Sommerfeld et al.	D24/134
D483,488	S	*	12/2003	Luthy et al.	D24/140

6,966,400	B1	*	11/2005	Rollins et al.	181/131
D527,819	S	*	9/2006	Poulsen et al.	D24/134
D589,144	S	*	3/2009	Bagha et al.	D24/134
7,866,437	B2	*	1/2011	MacMackin	181/131
D635,667	S	*	4/2011	Soerensen et al.	D24/134
D676,961	S	*	2/2013	Hatch et al.	D24/134
2012/0190303	A1	*	7/2012	Wong	455/41.2

* cited by examiner

Primary Examiner — Bridget L Eland

(74) *Attorney, Agent, or Firm* — Sheppard, Mullin, Richter & Hampton LLP

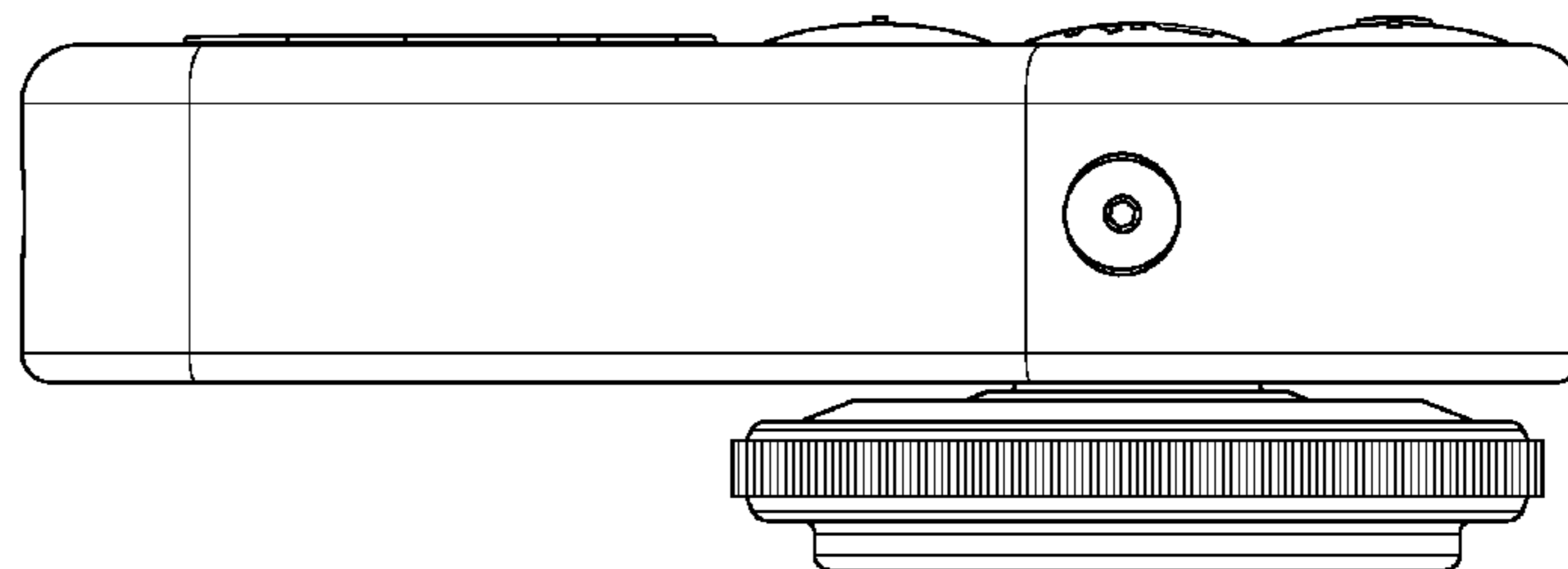
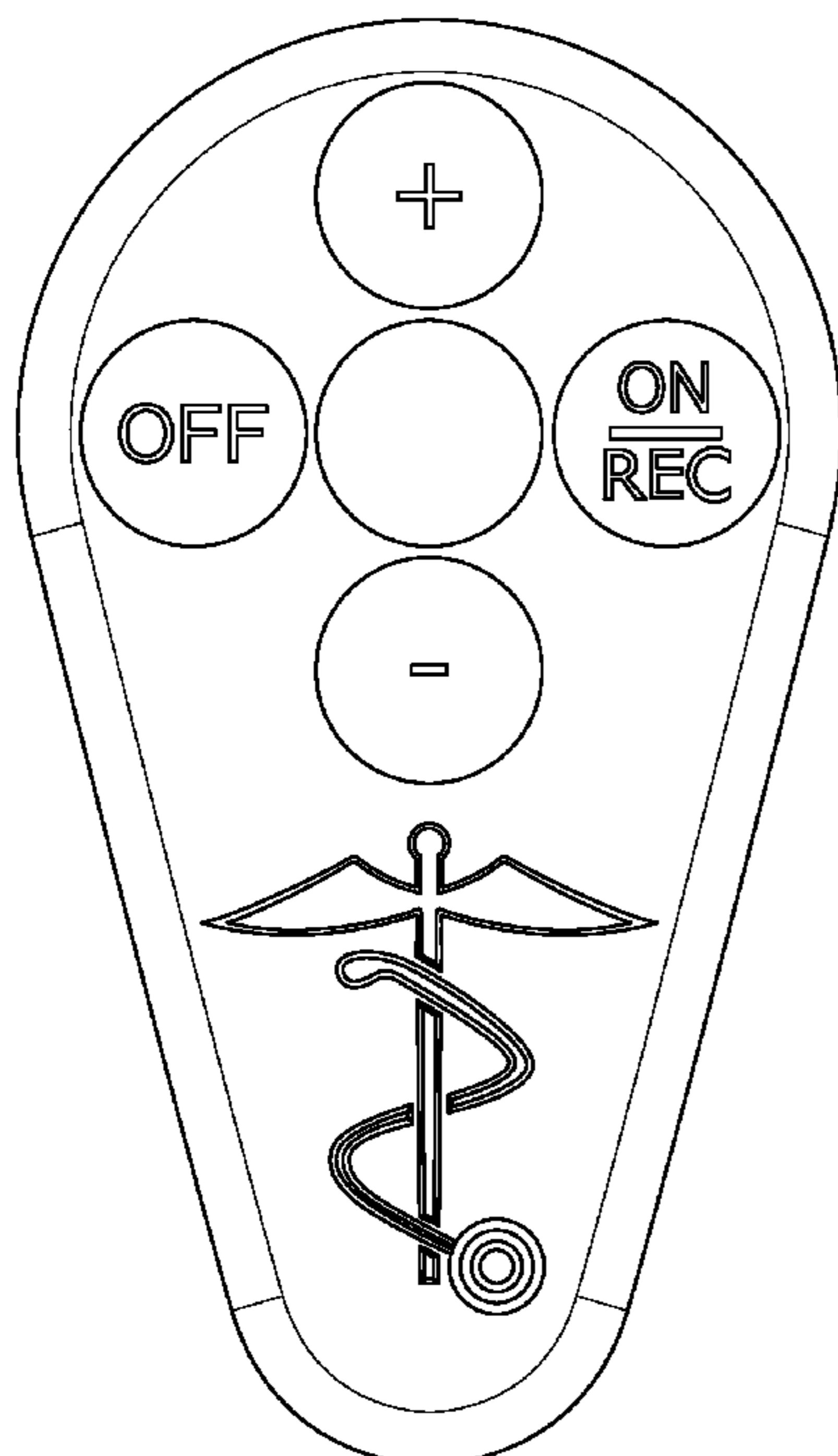
(57) **CLAIM**

The ornamental design for an electronic stethoscope pick-up head, as shown and described.

DESCRIPTION

FIG. 1 is a perspective view of an electronic stethoscope pick-up head showing our new design;
 FIG. 2 is a top view of the electronic stethoscope pick-up head;
 FIG. 3 is a bottom view of the electronic stethoscope pick-up head;
 FIG. 4 is a front view of the electronic stethoscope pick-up head;
 FIG. 5 is a rear view of the electronic stethoscope pick-up head;
 FIG. 6 is a first side elevation view of the electronic stethoscope pick-up head; and,
 FIG. 7 is a second side elevation view of the electronic stethoscope pick-up head.

1 Claim, 5 Drawing Sheets



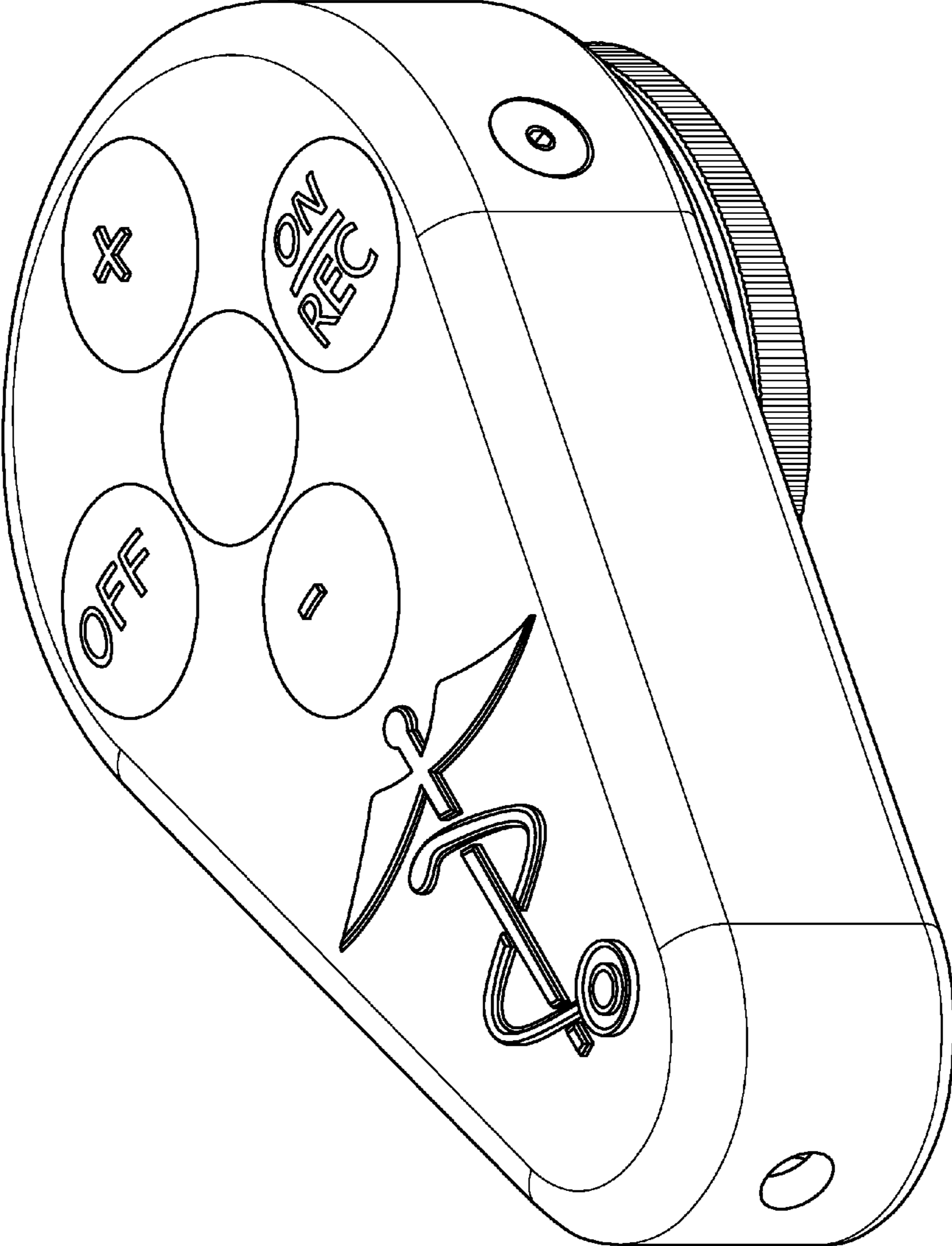


FIG. 1

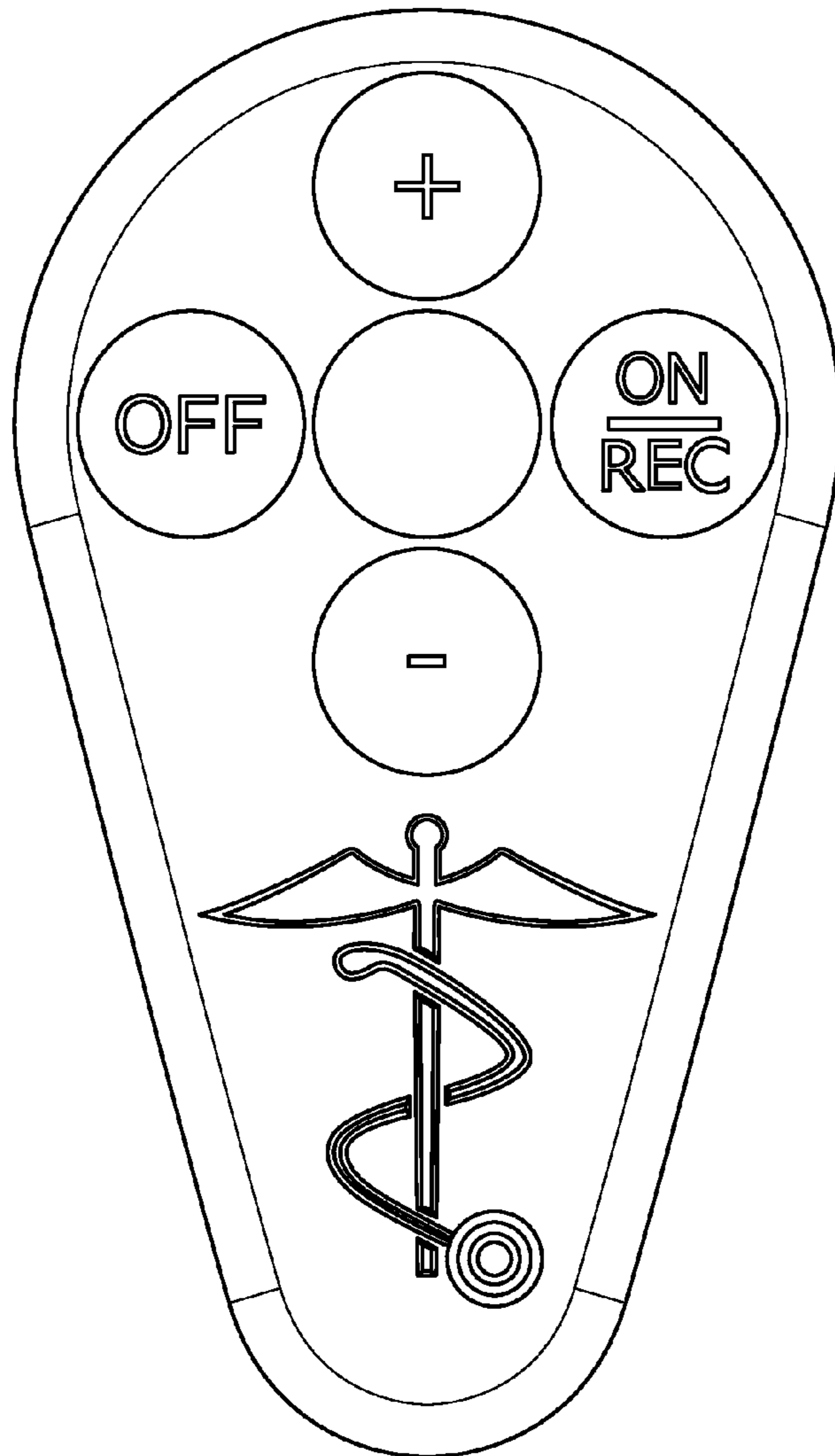


FIG. 2

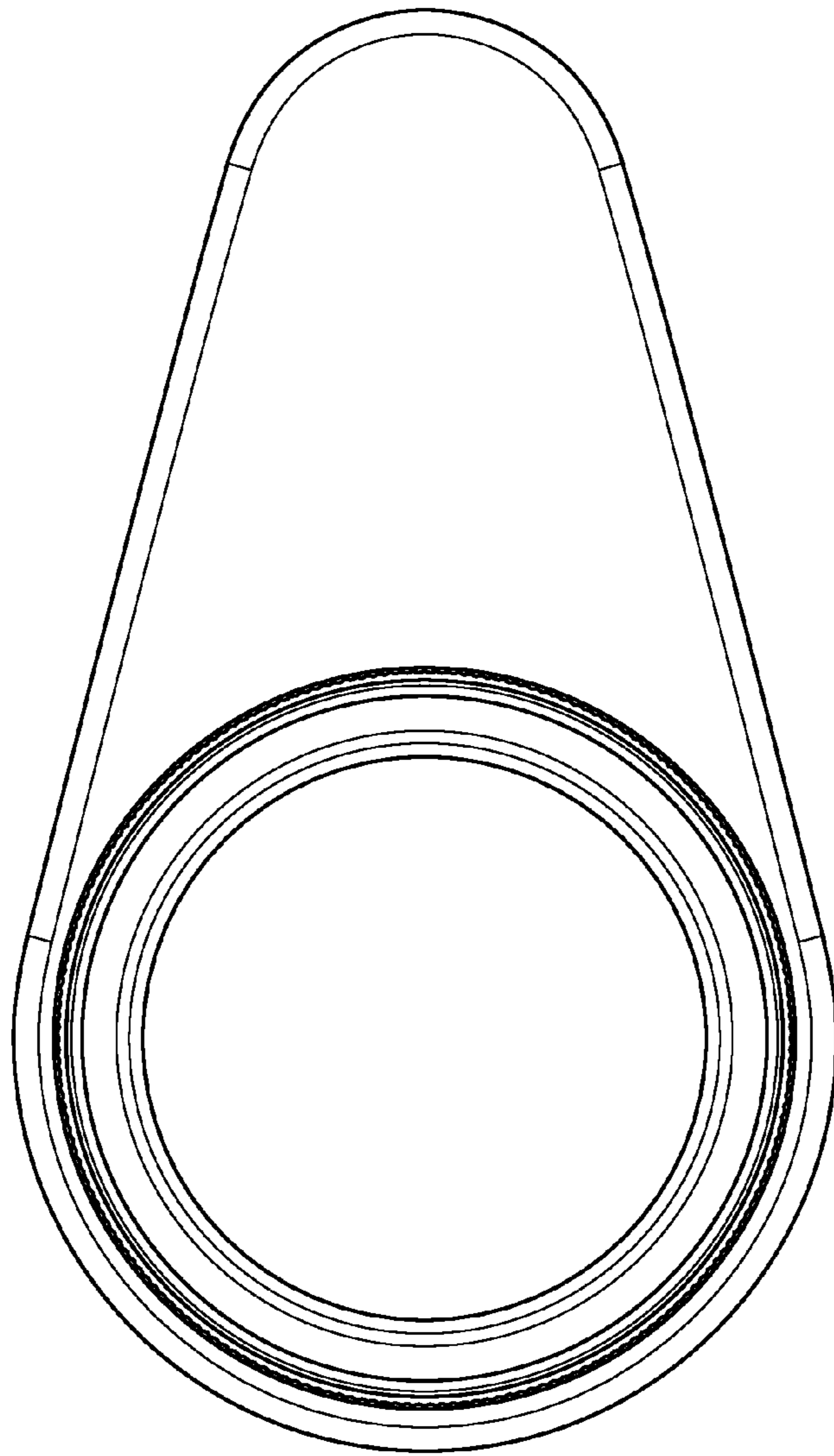


FIG. 3

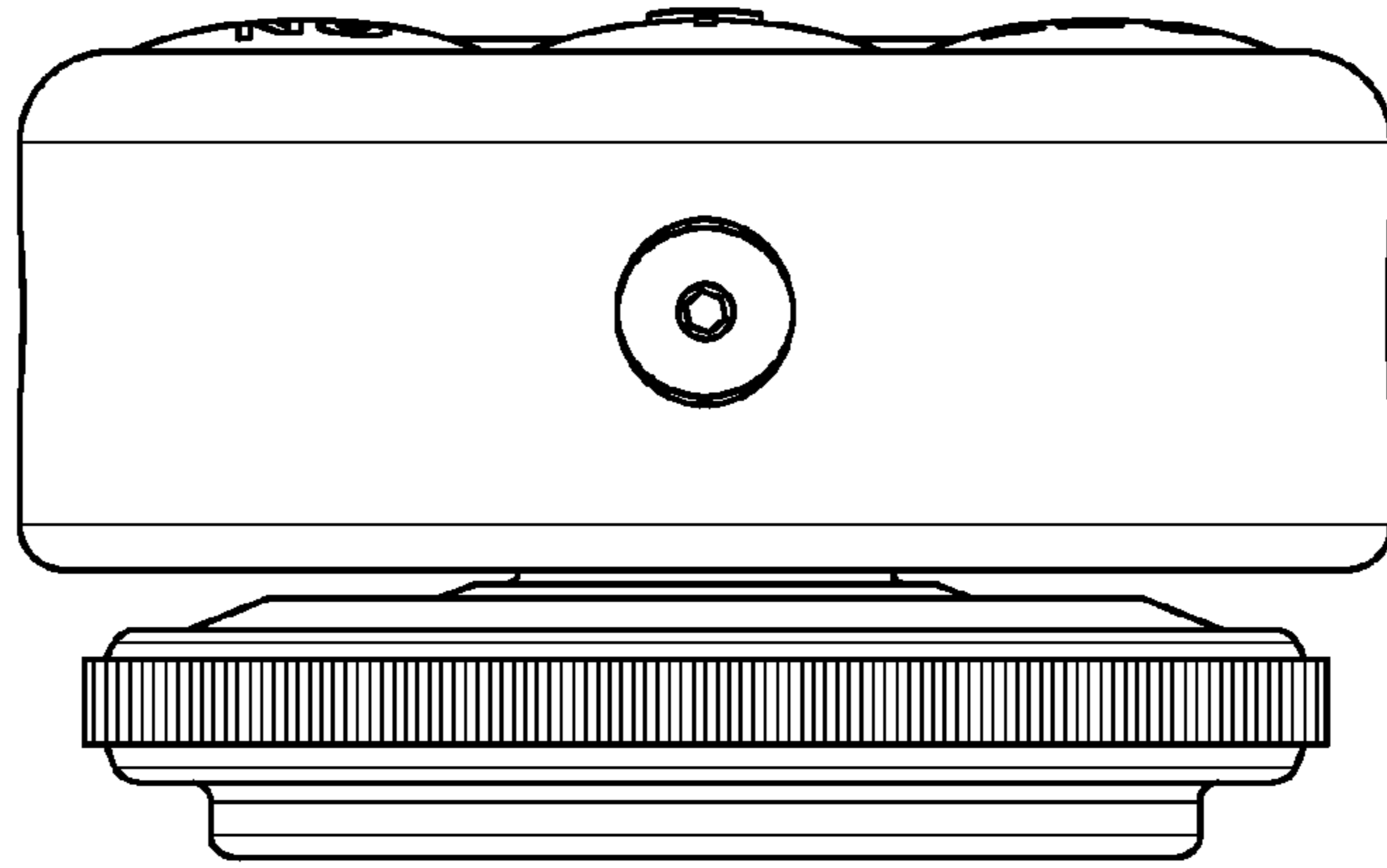


FIG. 4

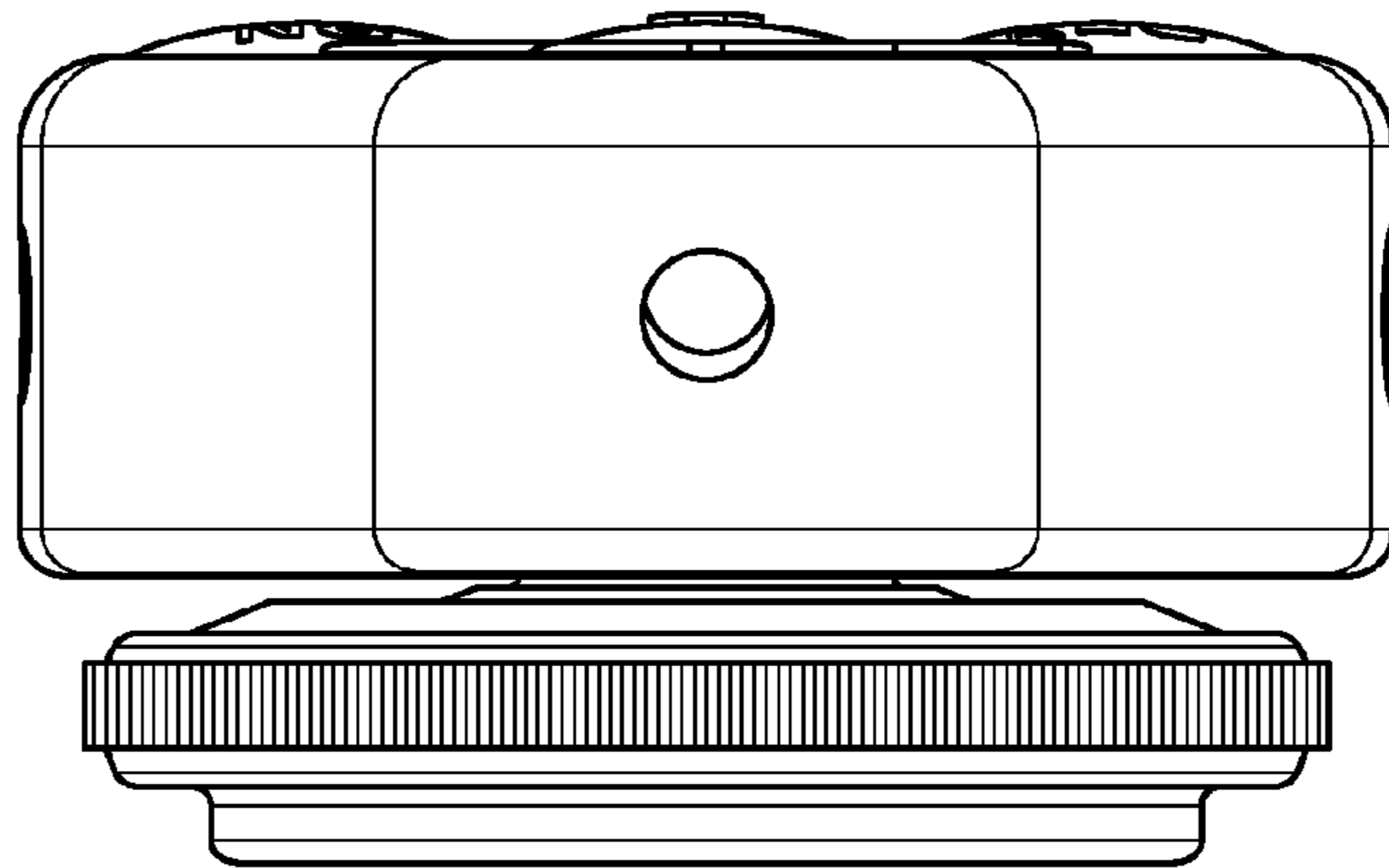


FIG. 5

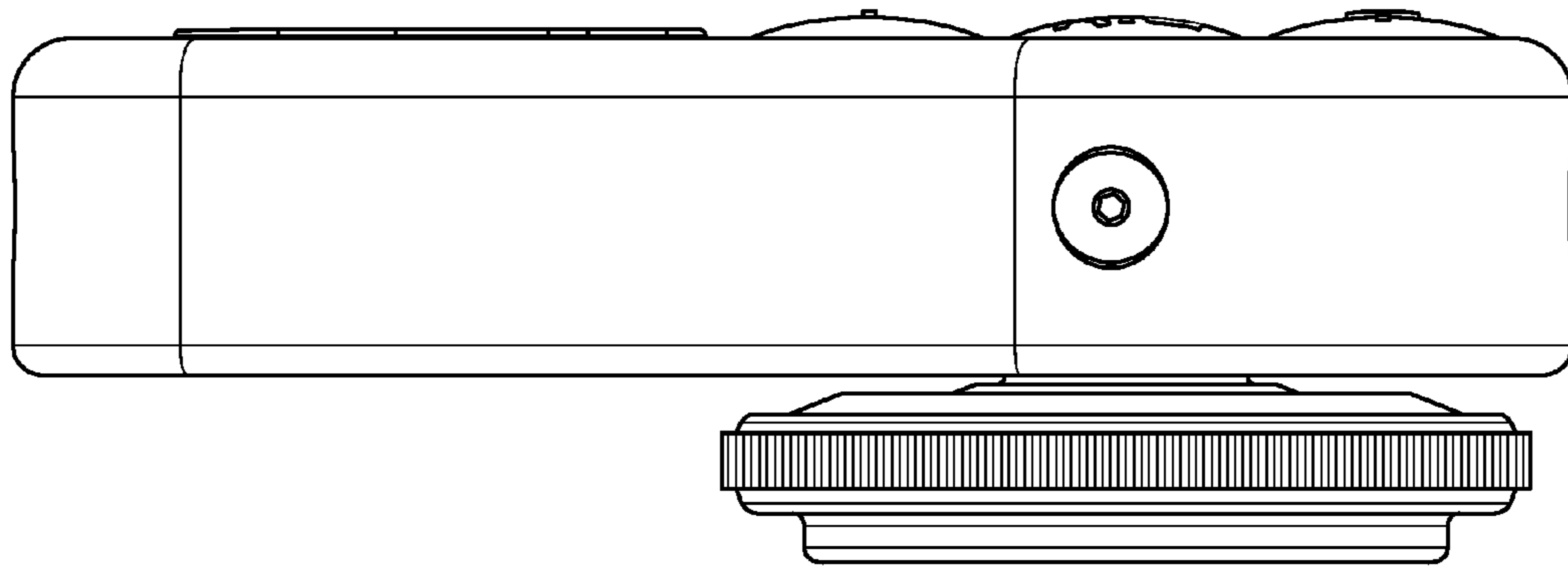


FIG. 6

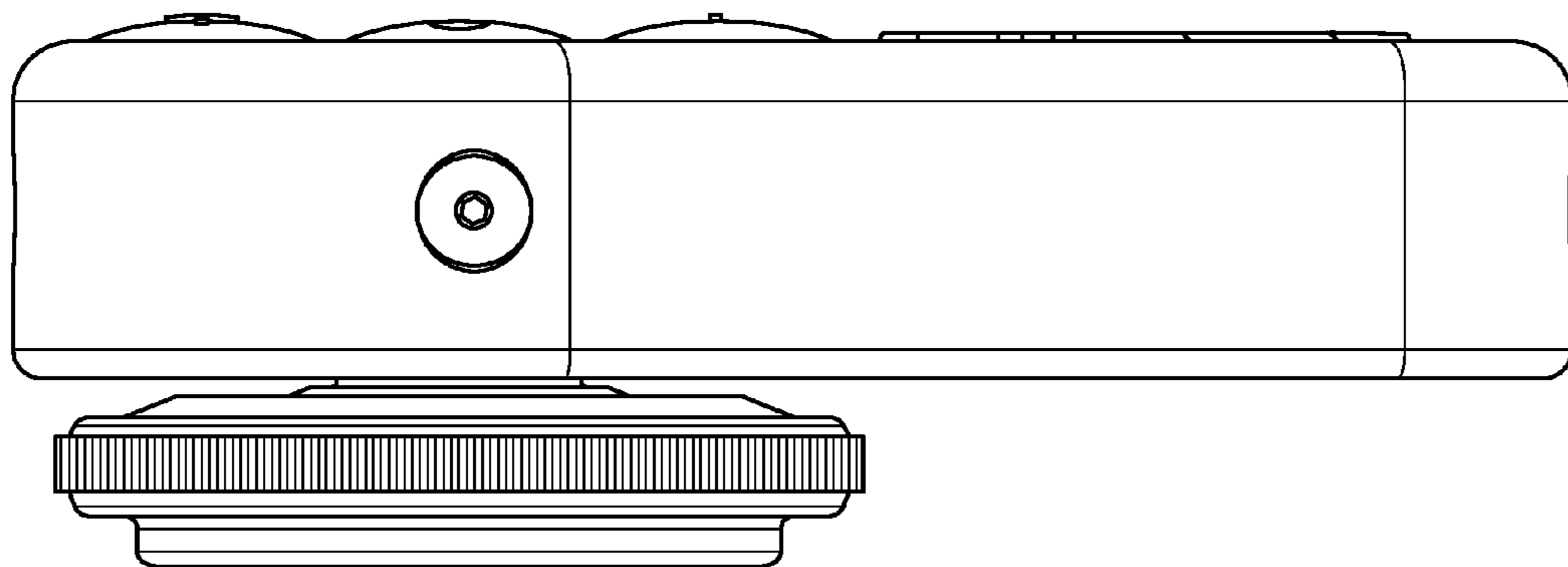


FIG. 7