



US00D711531S

(12) **United States Design Patent**
Ozawa et al.

(10) **Patent No.:** **US D711,531 S**

(45) **Date of Patent:** **** Aug. 19, 2014**

(54) **INJECTION NEEDLE**

(75) Inventors: **Hiroshi Ozawa**, Shizuoka (JP); **Akinori Inou**, Shizuoka (JP)

(73) Assignee: **Nanbu Plastics Co., Ltd.**, Shizuoka (JP)

(**) Term: **14 Years**

(21) Appl. No.: **29/416,547**

(22) Filed: **Mar. 23, 2012**

(30) **Foreign Application Priority Data**

Sep. 27, 2011 (JP) 2011-22068

(51) **LOC (10) Cl.** **24-02**

(52) **U.S. Cl.**
USPC **D24/130**

(58) **Field of Classification Search**
CPC ... A61M 5/32; A61M 5/3293; A61M 5/3294;
A61M 5/3295; A61M 5/3297; A61M 5/3298
USPC D24/107, 108, 112, 127, 130; 604/19,
604/48, 93.01, 181, 187, 239
See application file for complete search history.

(56) **References Cited**

U.S. PATENT DOCUMENTS

5,515,871 A * 5/1996 Bittner et al. 128/898
2007/0038181 A1 * 2/2007 Melamud et al. 604/158
2009/0163868 A1 * 6/2009 Hoel et al. 604/141
2010/0030152 A1 * 2/2010 Lee et al. 604/131
2013/0102954 A1 * 4/2013 Choi 604/21

2013/0184648 A1 * 7/2013 Inou et al. 604/192
2014/0088502 A1 * 3/2014 Matheny et al. 604/121
2014/0128810 A1 * 5/2014 Ozawa et al. 604/173

* cited by examiner

Primary Examiner — Deanna L Pratt

Assistant Examiner — Ieisha Price

(74) *Attorney, Agent, or Firm* — Renner, Otto, Boisselle & Sklar, LLP

(57) **CLAIM**

The ornamental design for an injection needle, as shown and described.

DESCRIPTION

FIG. 1 is a front view of an injection needle showing our design;

FIG. 2 is a rear view thereof;

FIG. 3 is a top view thereof;

FIG. 4 is a bottom view thereof;

FIG. 5 is a left side view thereof;

FIG. 6 is a right side view thereof;

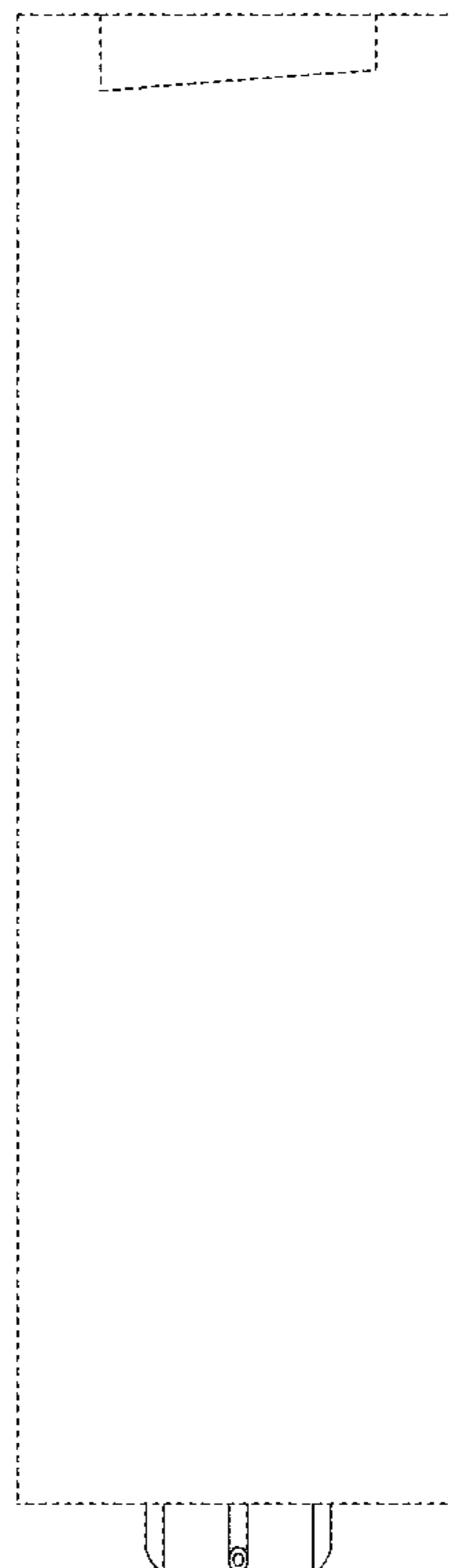
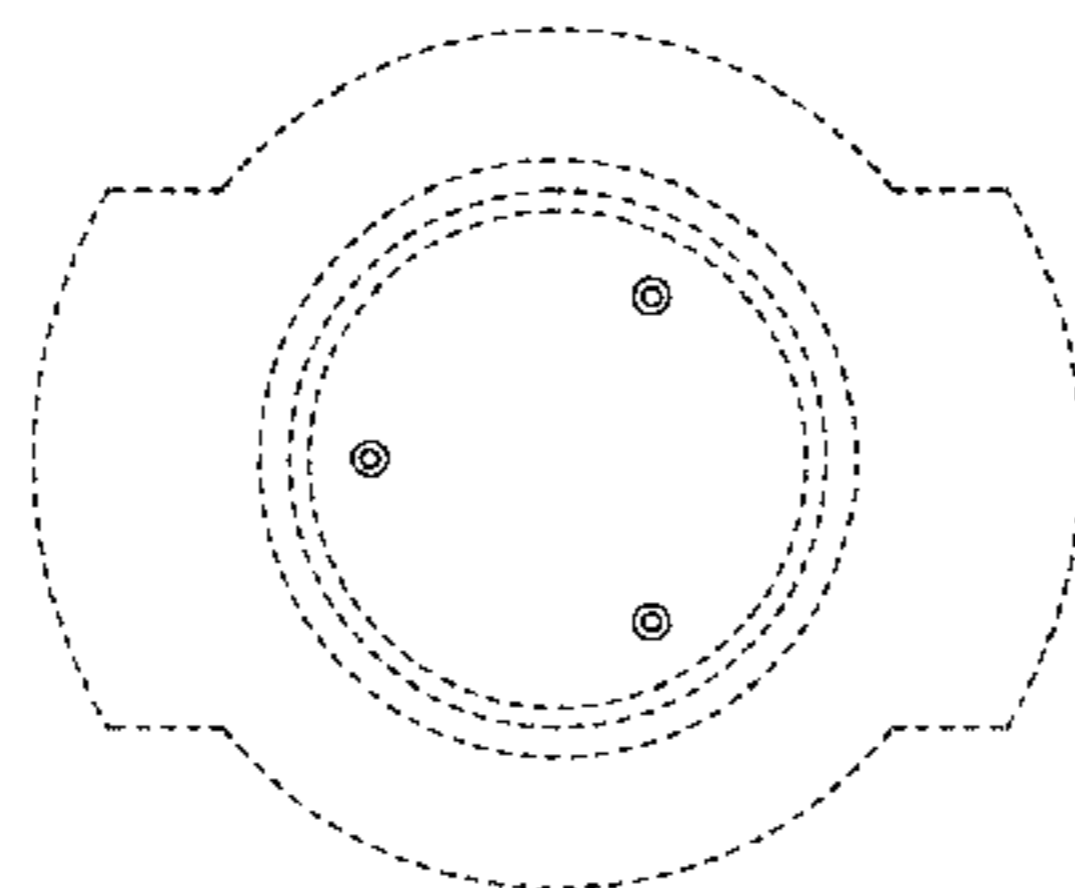
FIG. 7 is an enlarged view of the bottom portion of the side view of FIG. 5;

FIG. 8 is an enlarged view of the bottom portion of the side view of FIG. 6; and,

FIG. 9 is another front view of the injection needle while in use with a syringe.

The broken line showing of portions of the injection needle illustrates portions of the injection needle which form no part of the claimed design. The broken line showing of the syringe in FIG. 9 illustrates the environment of the claimed design and forms no part thereof.

1 Claim, 5 Drawing Sheets



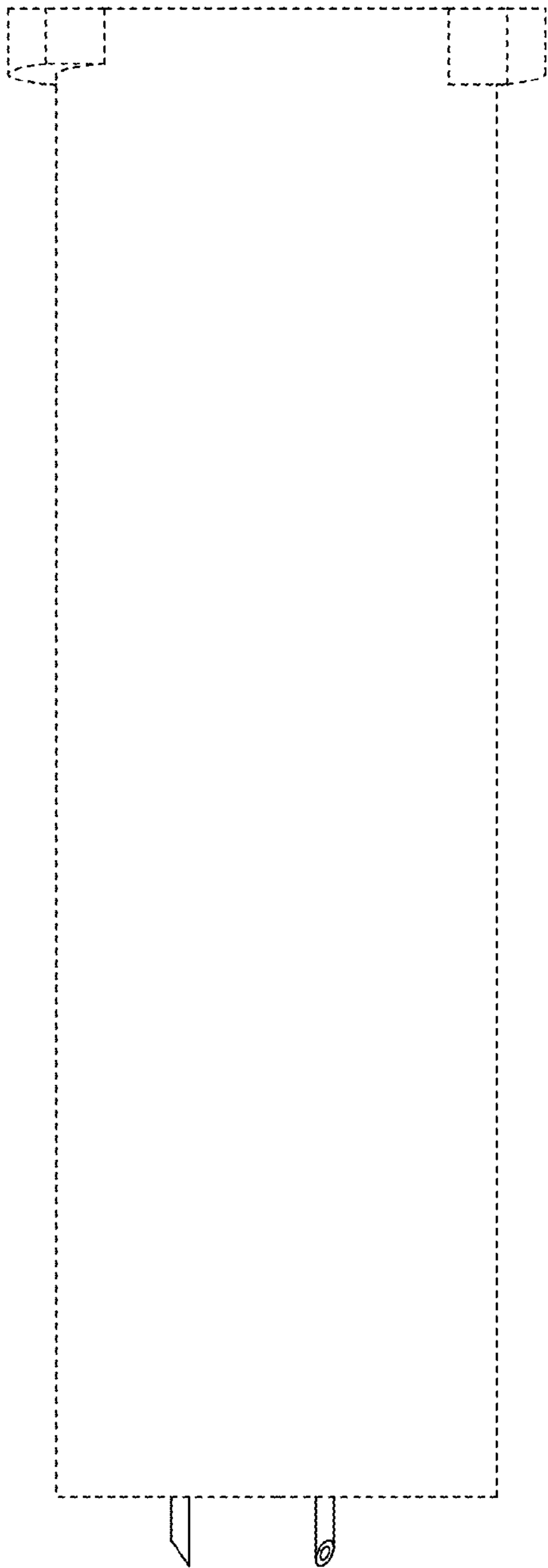


FIG. 1

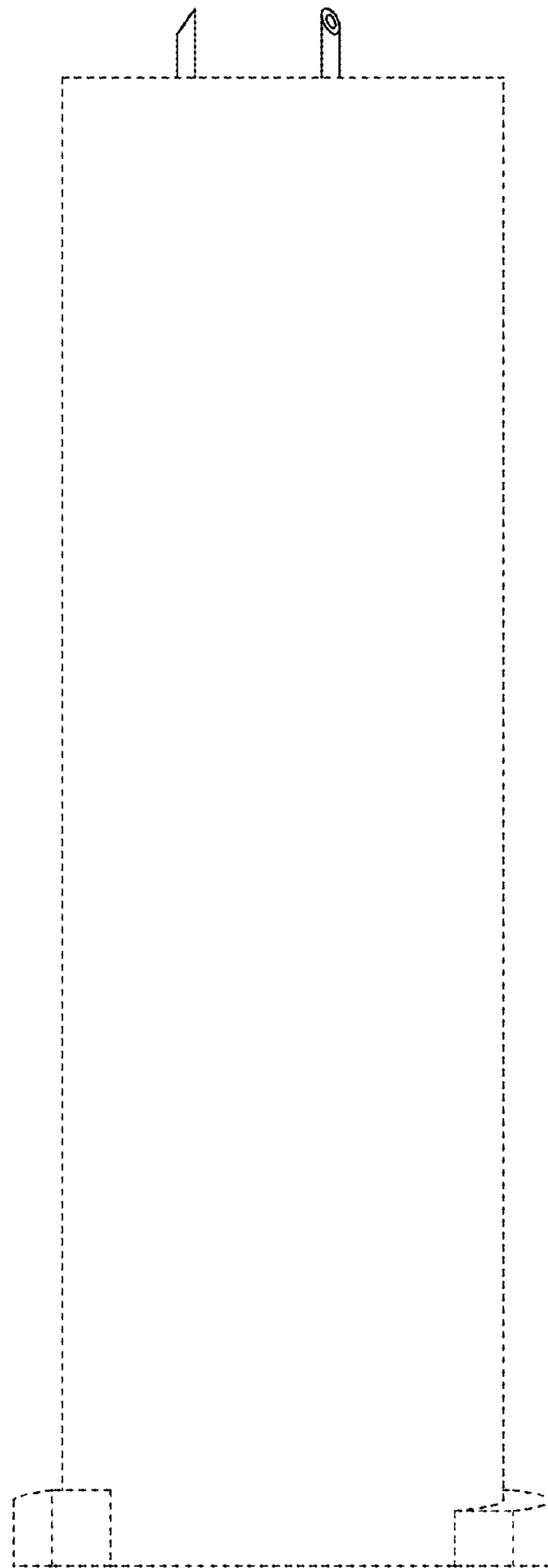


FIG. 2

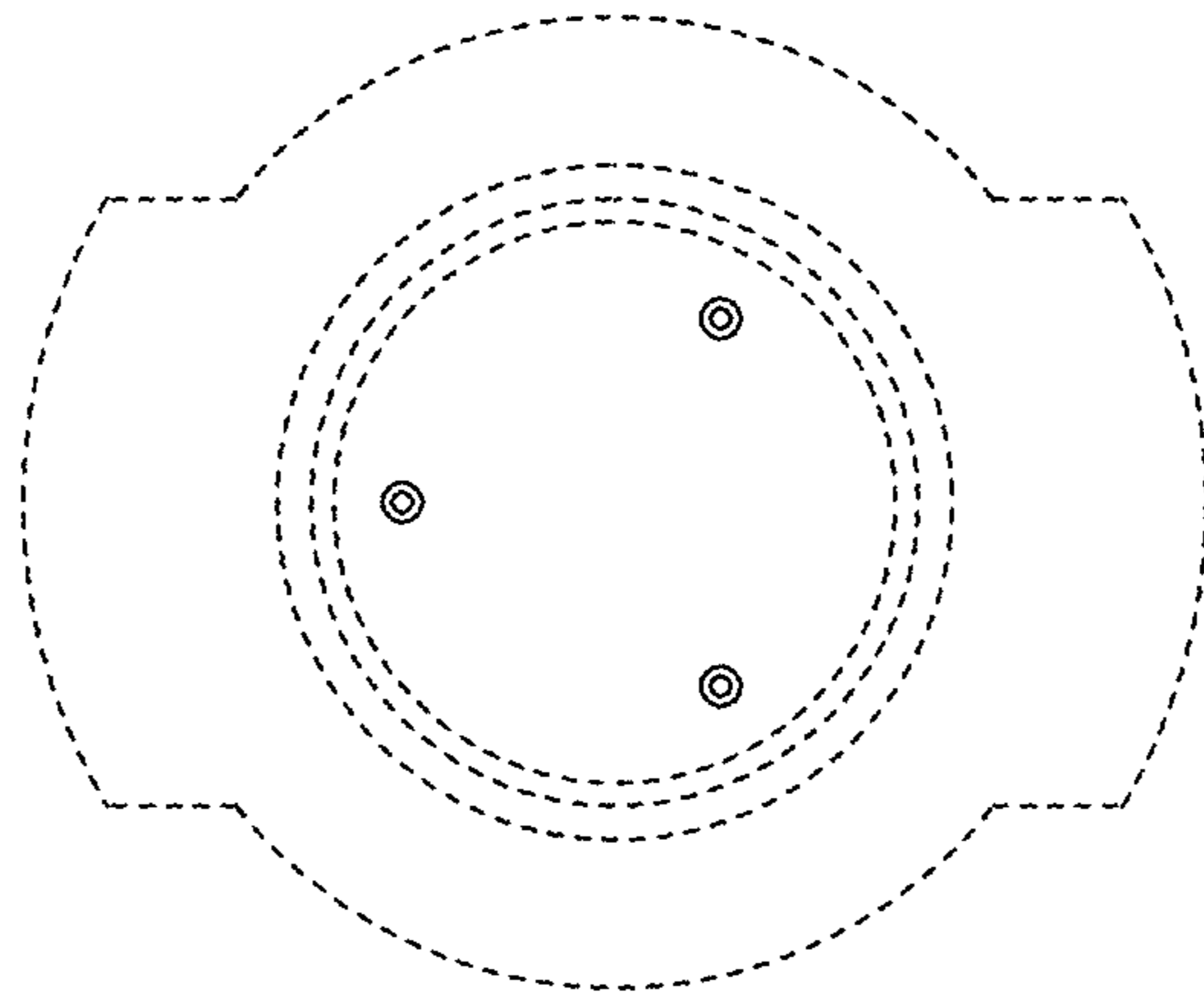


FIG. 3

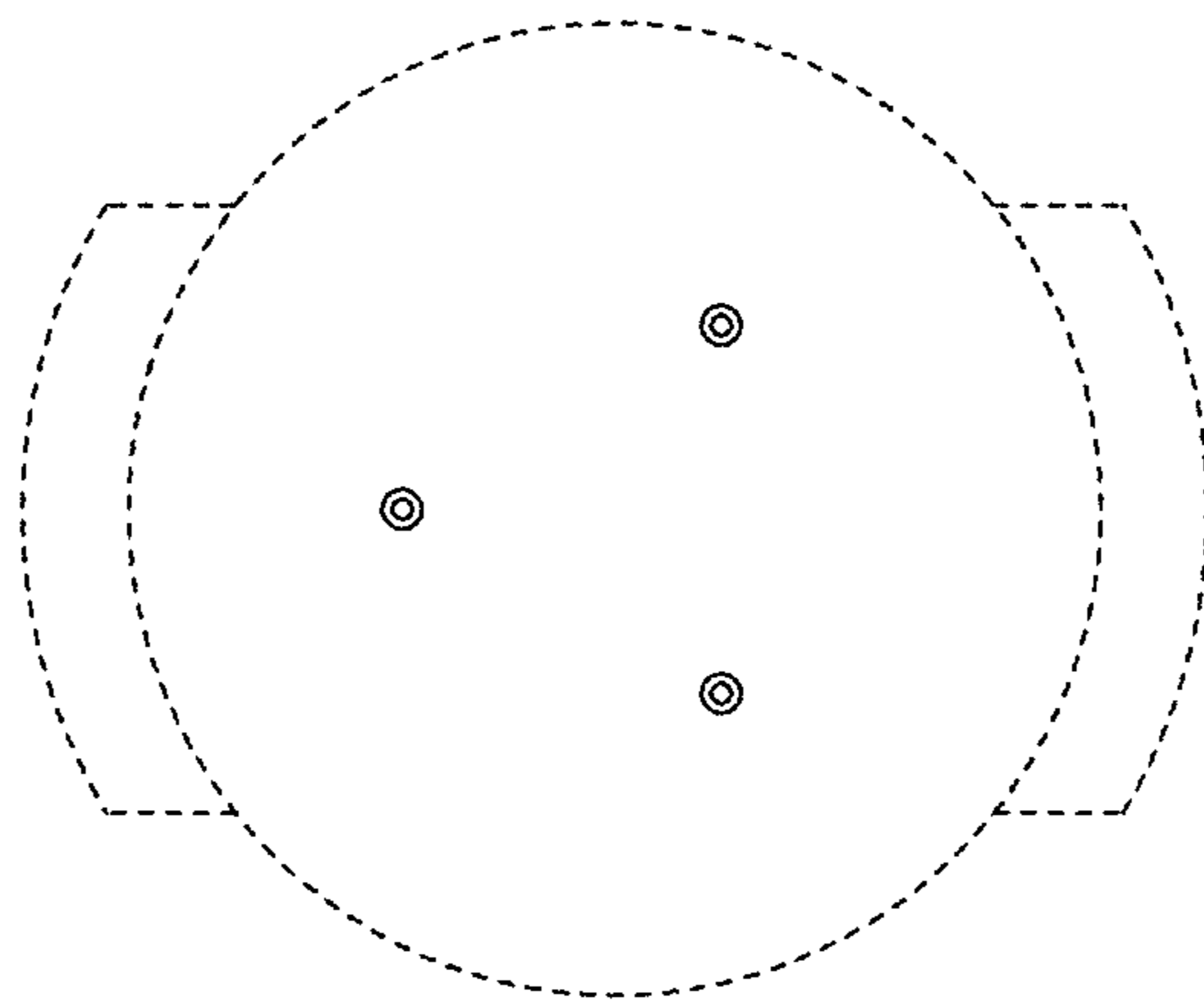


FIG. 4

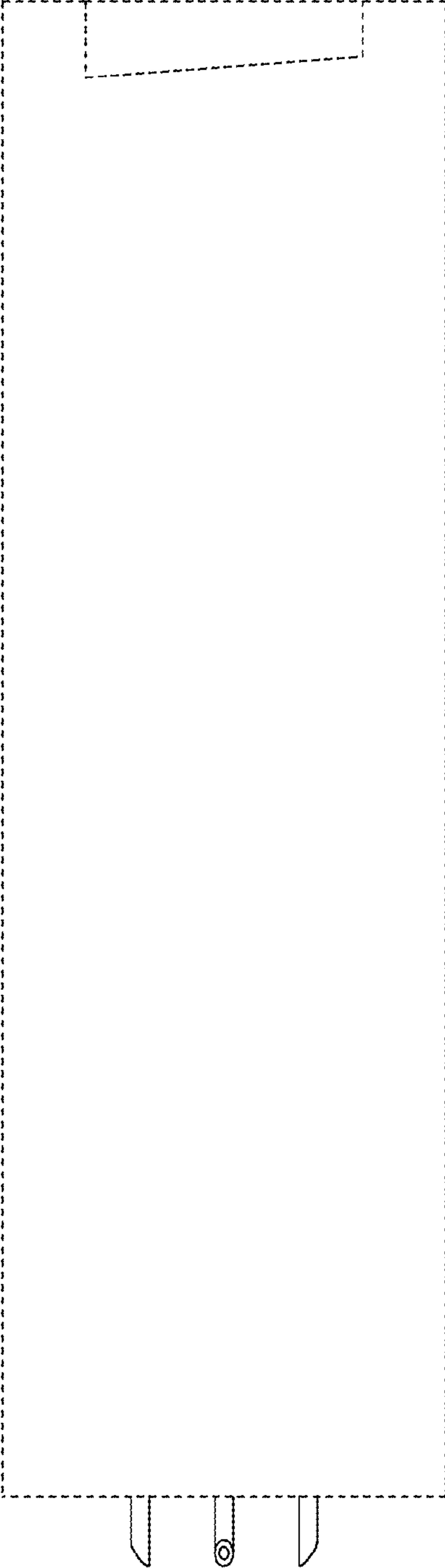


FIG. 5

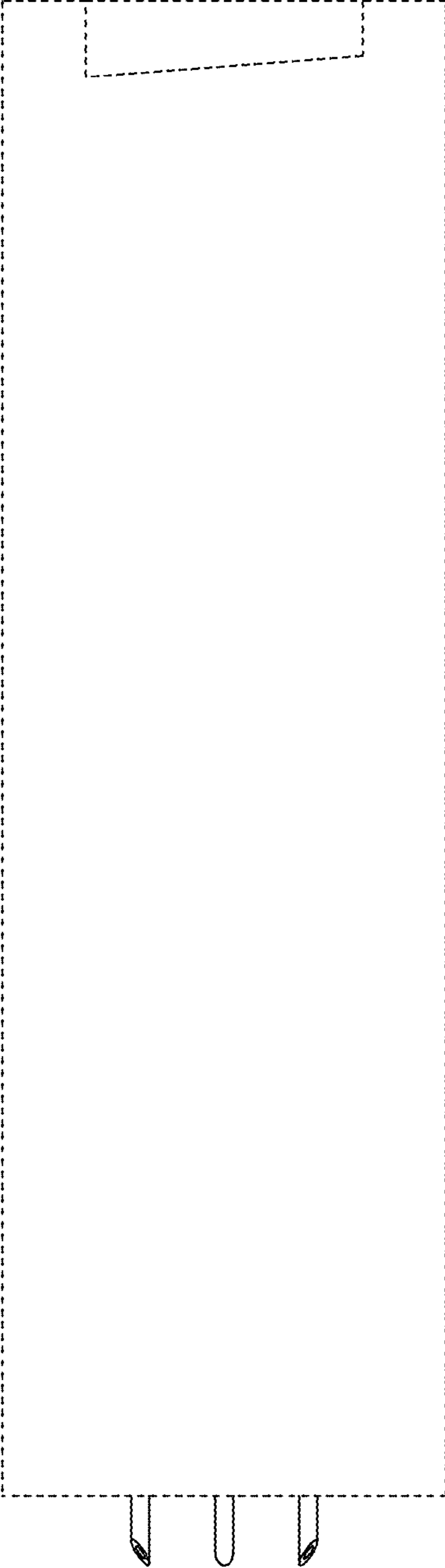


FIG. 6

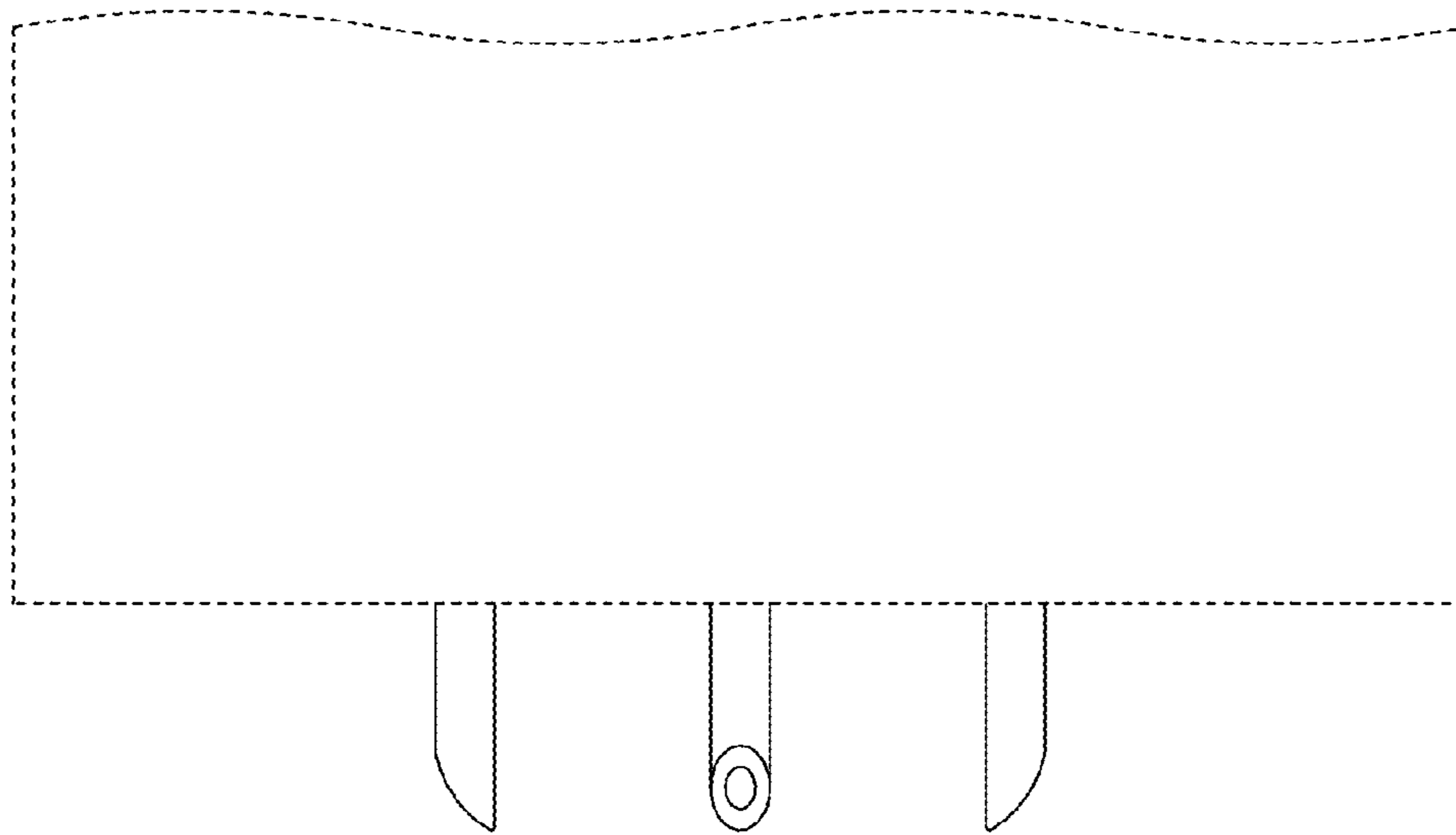


FIG. 7

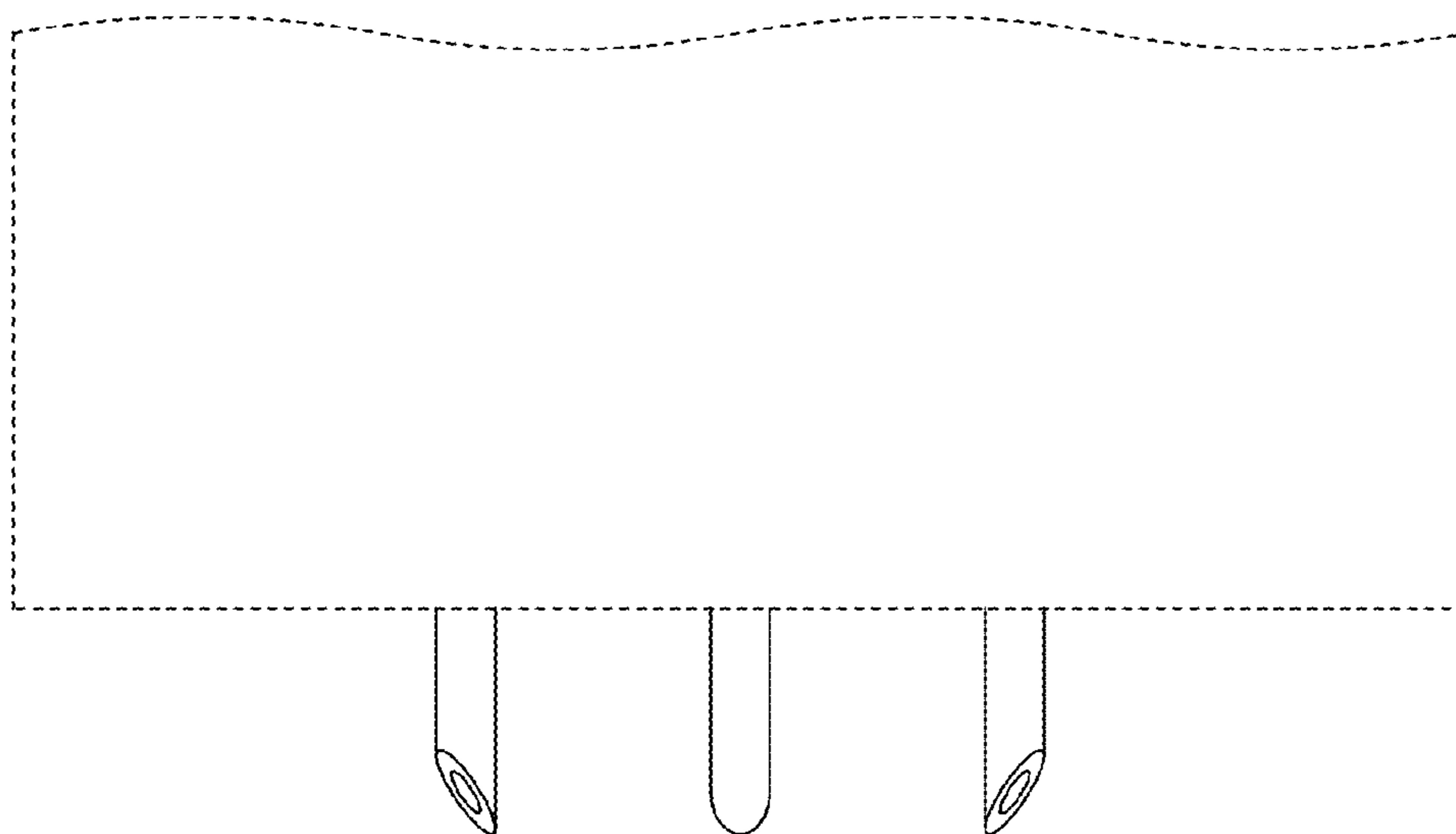


FIG. 8

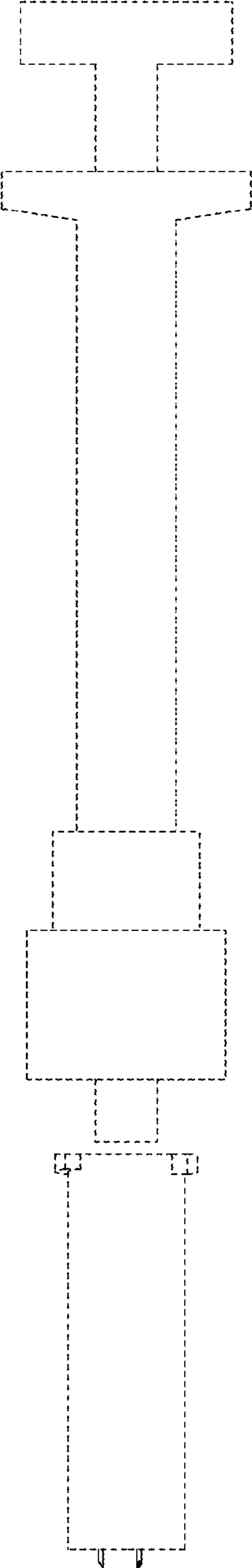


FIG. 9