



US00D711530S

(12) **United States Design Patent**
Gleason, Jr. et al.

(10) **Patent No.:** **US D711,530 S**

(45) **Date of Patent:** **** Aug. 19, 2014**

(54) **NOZZLE**

(75) Inventors: **Thomas James Gleason, Jr.**, Malmo (SE); **Lars Ek**, Trelleborg (SE); **Steen Stavnschoj**, Simrishamn (SE); **Mats Rosengren**, Sjobo (SE)

(73) Assignee: **Biomet SAS**, Valence (FR)

(**) Term: **14 Years**

(21) Appl. No.: **29/415,509**

(22) Filed: **Mar. 12, 2012**
(Under 37 CFR 1.47)

(51) **LOC (10) Cl.** **24-02**

(52) **U.S. Cl.**
USPC **D24/112**

(58) **Field of Classification Search**
USPC 433/90, 215; 264/19; D24/112, 113;
606/93, 94; 222/575, 326, 391, 567,
222/375; 401/193, 266, 48, 261
See application file for complete search history.

(56) **References Cited**

U.S. PATENT DOCUMENTS

2,047,378 A * 7/1936 Martin 239/516
4,682,950 A * 7/1987 Dragan 433/90

D309,205 S * 7/1990 Schuster D32/32
5,000,361 A * 3/1991 Briddell et al. 222/575
5,033,951 A * 7/1991 Cook 425/87
5,222,821 A * 6/1993 Osborne et al. 401/9
D359,148 S * 6/1995 Henrie D32/33
5,788,104 A * 8/1998 Hoyt 220/212
2010/0276458 A1 * 11/2010 Buck 222/327
2013/0158560 A1 * 6/2013 Gleason et al. 606/94
2014/0023987 A1 * 1/2014 Cardon 433/95

* cited by examiner

Primary Examiner — Deanna L Pratt

Assistant Examiner — Ieisha Price

(74) *Attorney, Agent, or Firm* — Harness, Dickey

(57) **CLAIM**

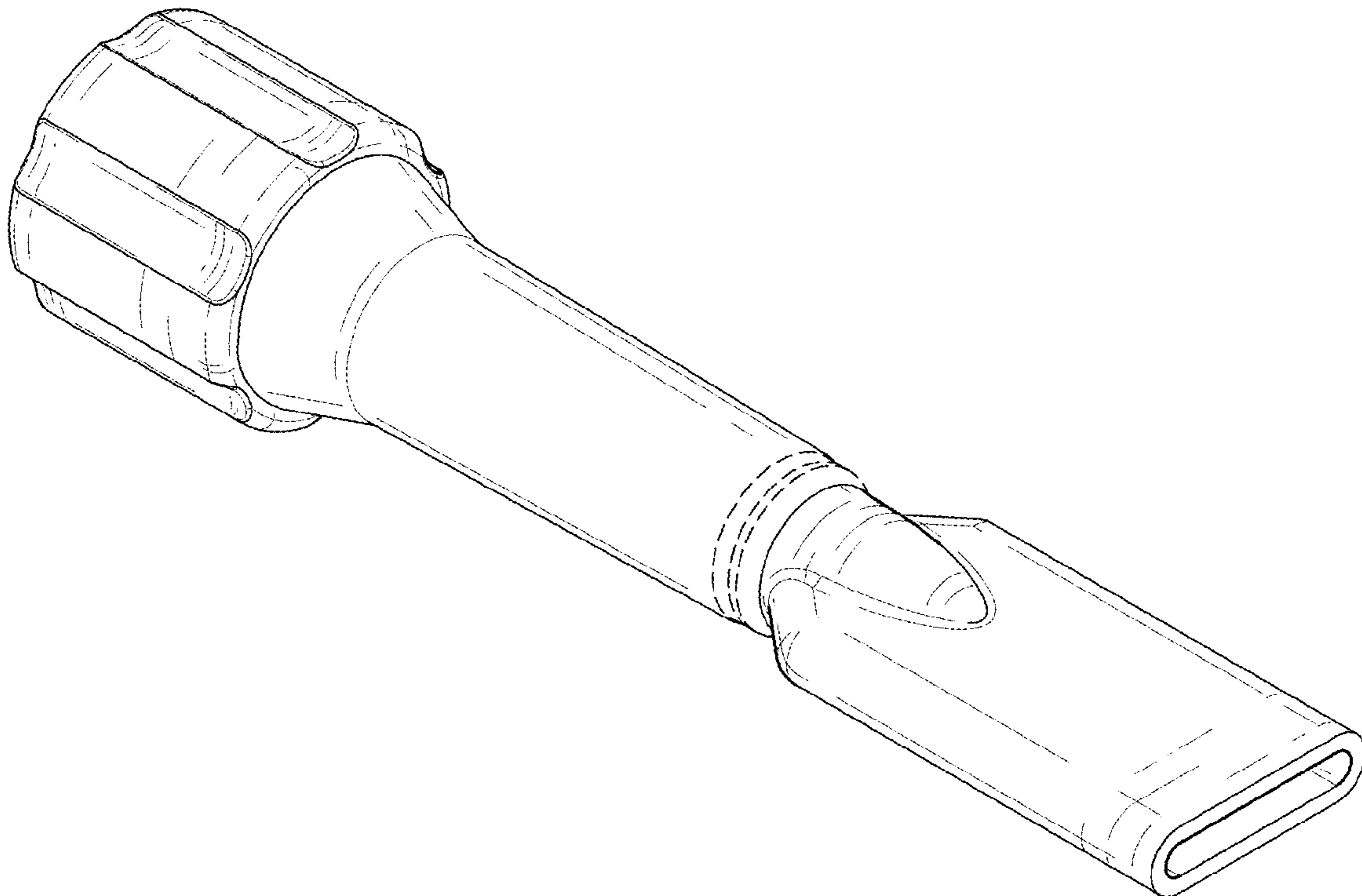
The ornamental design of a nozzle, as shown and described.

DESCRIPTION

FIG. 1 is a first perspective view of a nozzle of our new design; FIG. 2 is second perspective view thereof; FIG. 3 is a top view thereof; FIG. 4 is a bottom view thereof; FIG. 5 is a right side view thereof; FIG. 6 is a left side view thereof; FIG. 7 is a front end view thereof; and, FIG. 8 is a rear end view thereof.

The broken lines in the drawings illustrate portions of the nozzle which form no part of the claimed design.

1 Claim, 3 Drawing Sheets



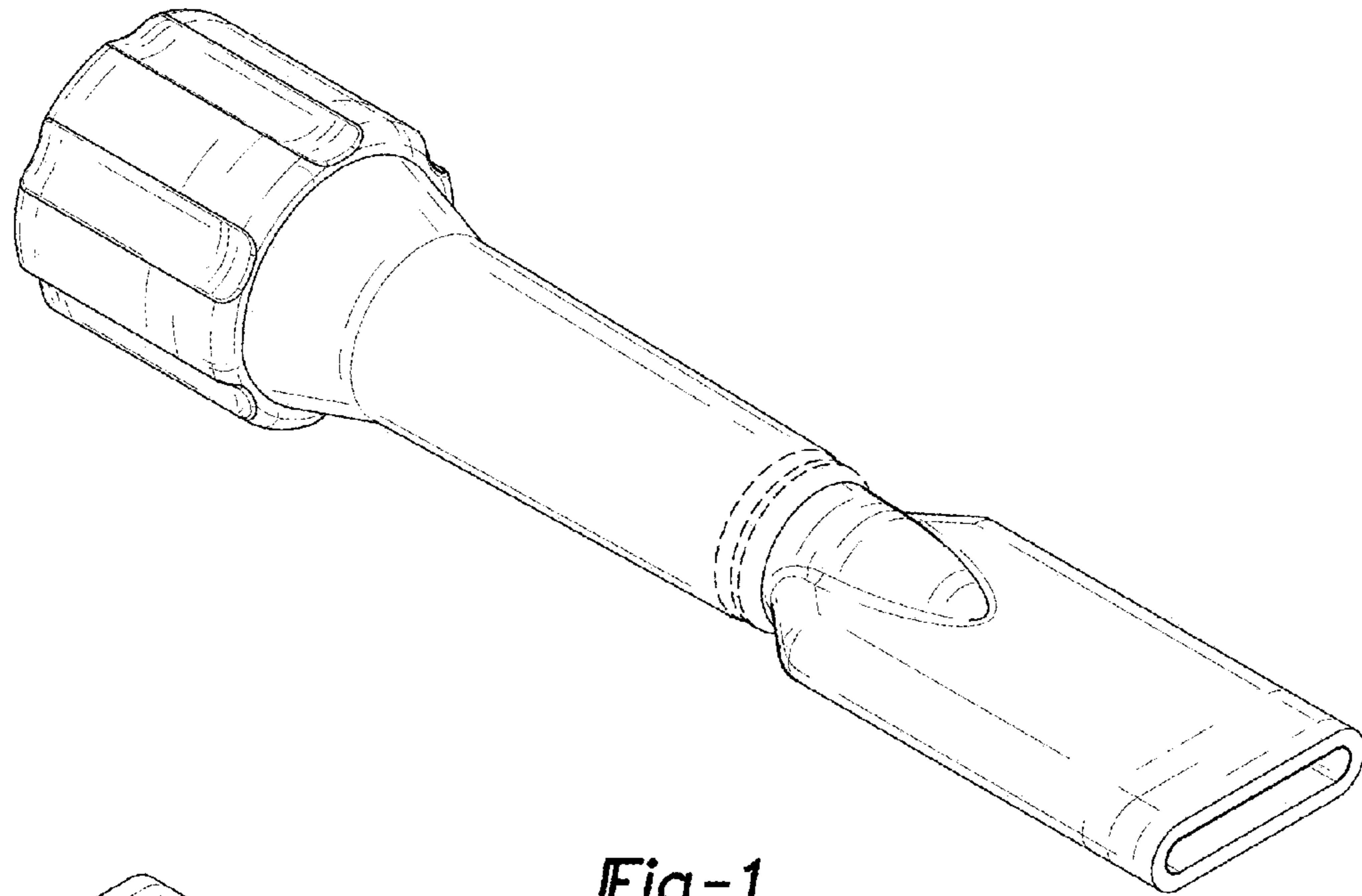


Fig-1

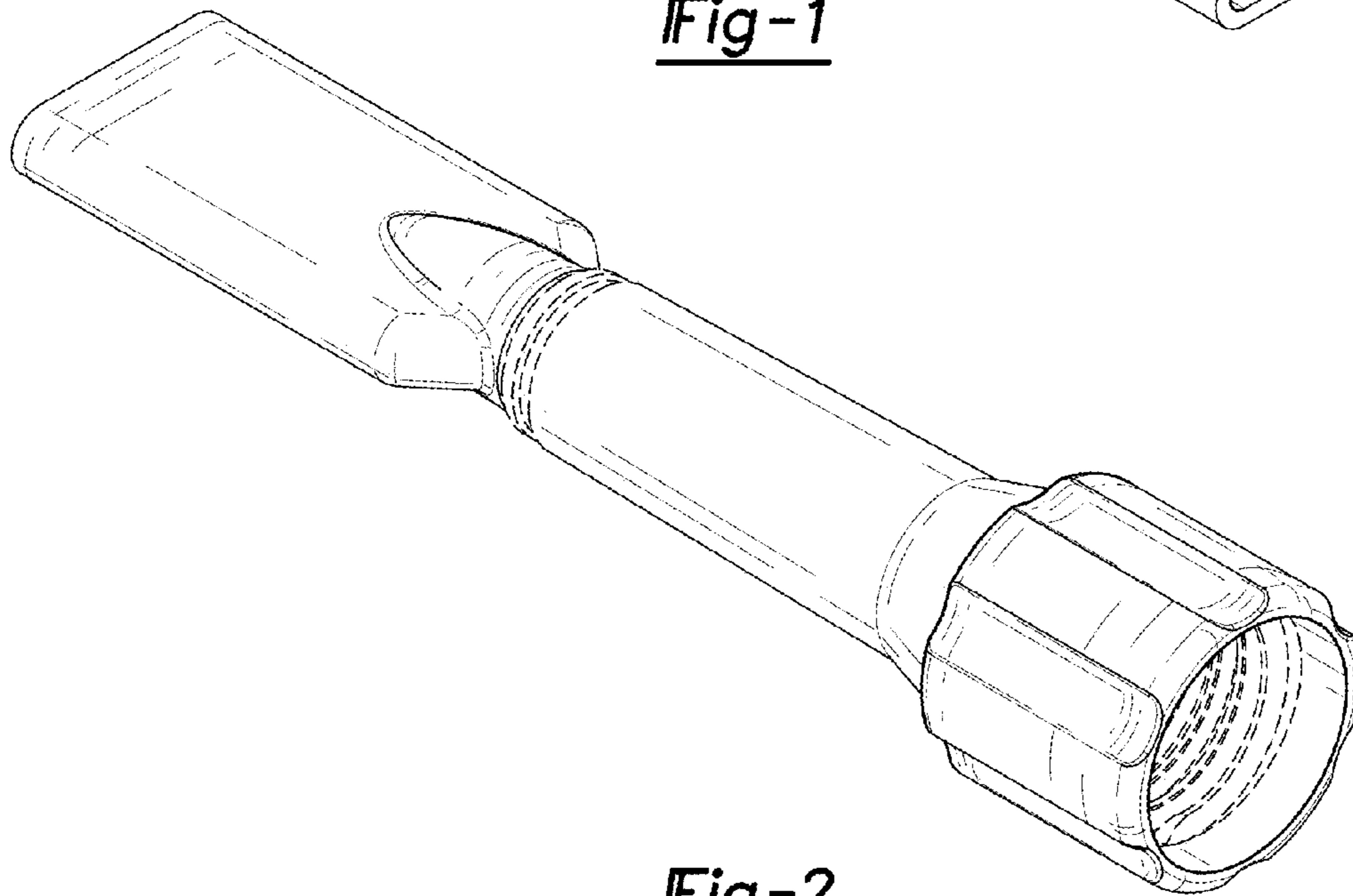


Fig-2

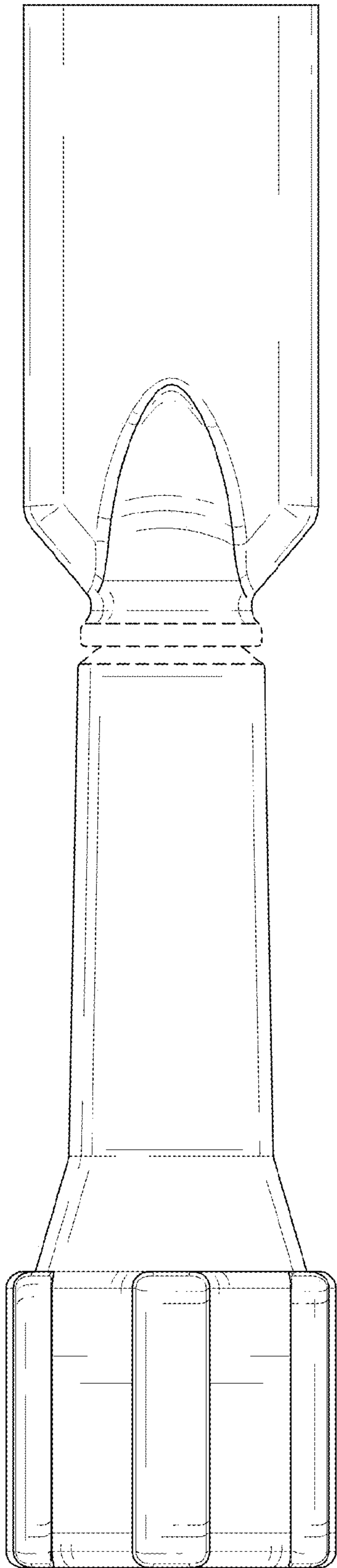


Fig-3

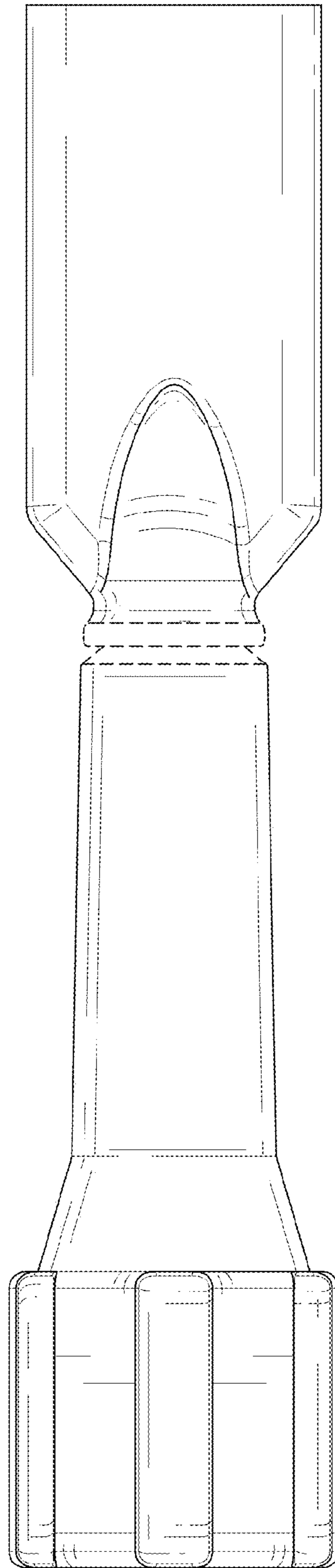


Fig-4

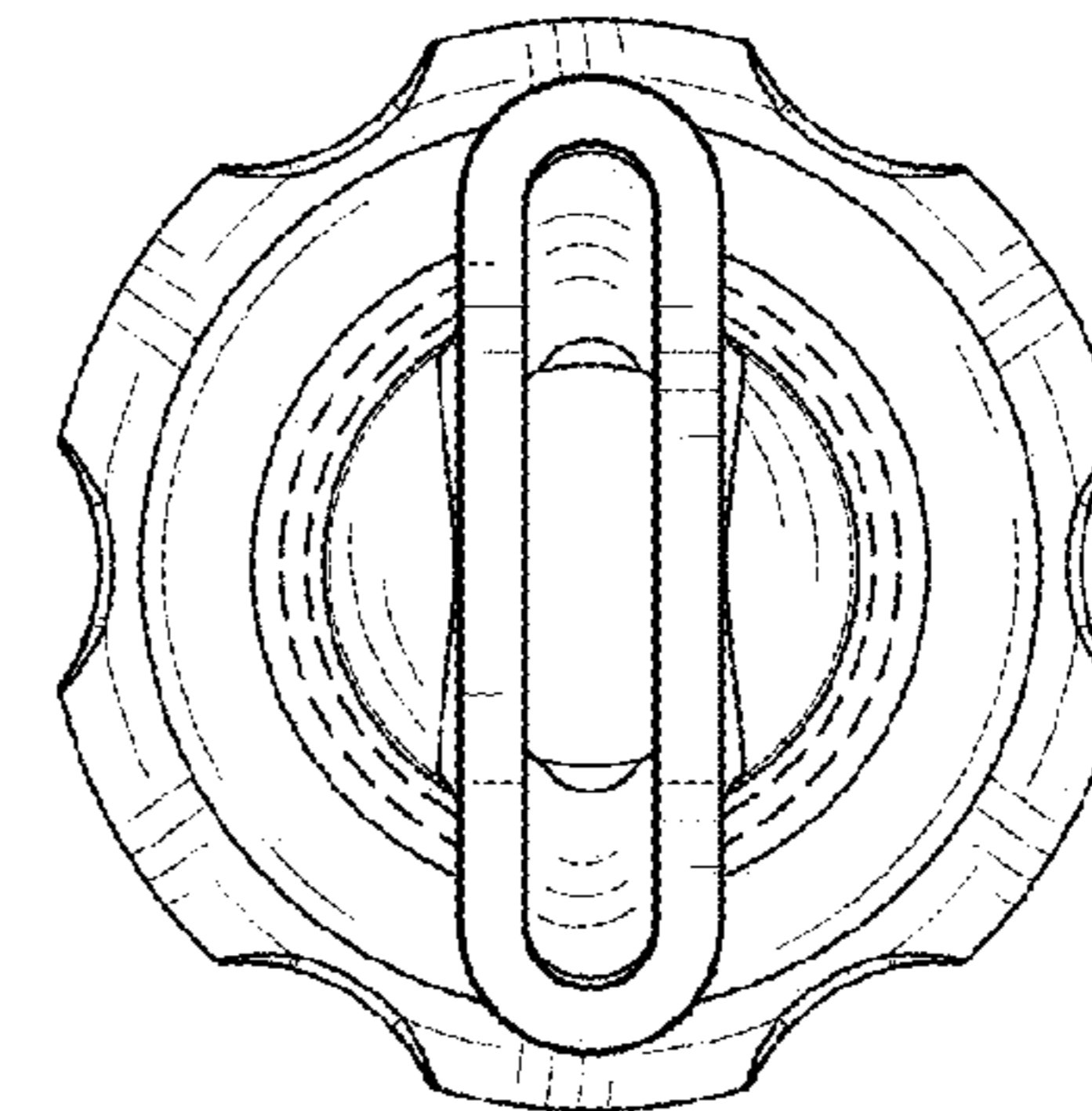
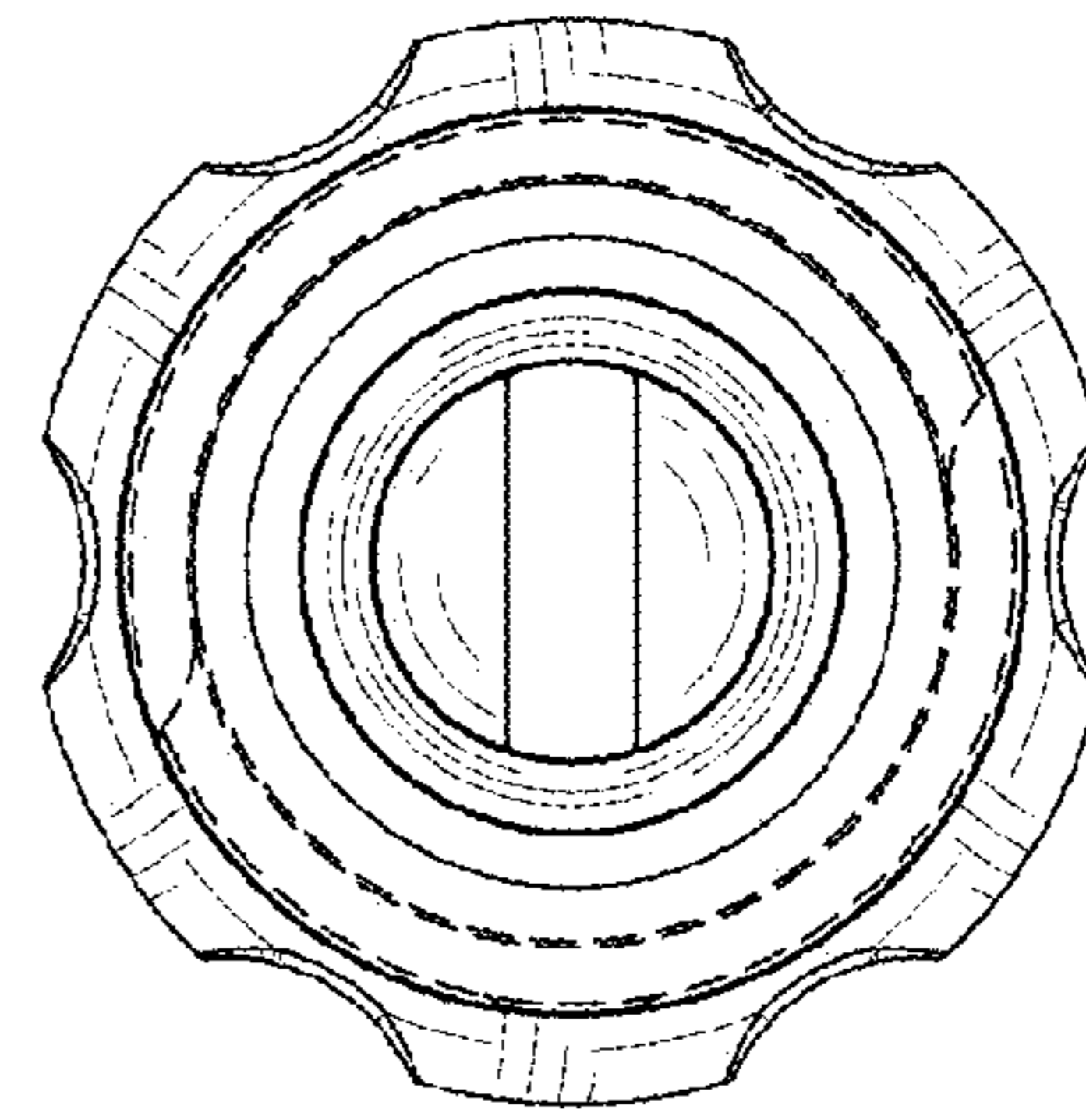
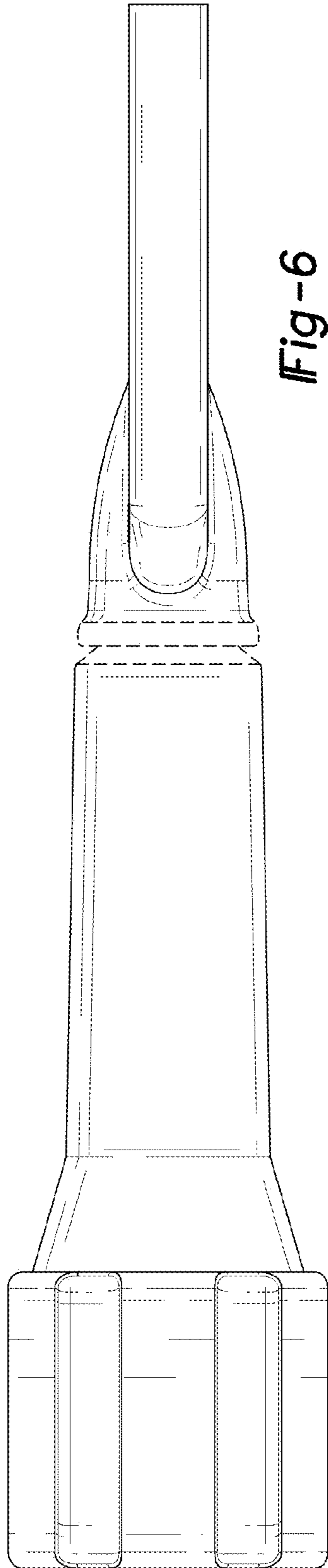
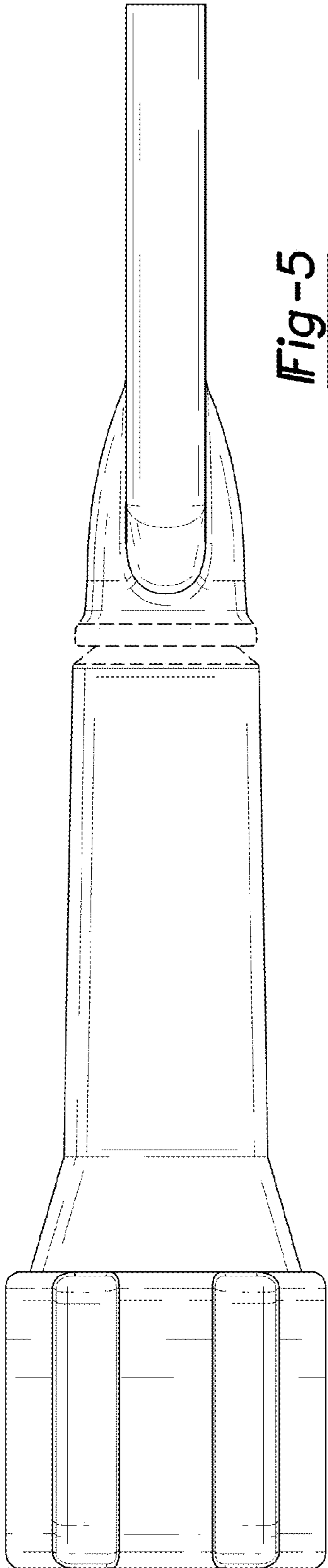


Fig-7

UNITED STATES PATENT AND TRADEMARK OFFICE
CERTIFICATE OF CORRECTION

PATENT NO. : D711,530 S
APPLICATION NO. : 29/415509
DATED : August 19, 2014
INVENTOR(S) : Thomas James Gleason et al.

Page 1 of 1

It is certified that error appears in the above-identified patent and that said Letters Patent is hereby corrected as shown below:

On the Title Page, Item (Description) Column 2, Delete “and,” and insert --and--.

Signed and Sealed this
Seventh Day of April, 2015



Michelle K. Lee
Director of the United States Patent and Trademark Office